



US00D375433S

United States Patent [19] Jorgensen

[11] **Patent Number: Des. 375,433**
[45] **Date of Patent: **Nov. 12, 1996**

[54] **COOKING PAN**

214376 4/1941 Switzerland D7/354

[75] Inventor: **Carsten Jorgensen**, Dattenbergrain, Switzerland

Primary Examiner—James M. Gandy
Assistant Examiner—Caron D. Veynar
Attorney, Agent, or Firm—Gipple & Hale

[73] Assignee: **PI-Design AG**, Triengen, Switzerland

[**] Term: **14 Years**

[57] **CLAIM**

[21] Appl. No.: **31,898**

The ornamental design for a cooking pan, as shown and described.

[22] Filed: **Dec. 8, 1994**

DESCRIPTION

[30] **Foreign Application Priority Data**

FIG. 1 is a side view of a cooking pan showing my new design, the opposite side view being a mirror image thereof; FIG. 2 is a back view thereof;

Jun. 13, 1994 [DK] Denmark 523/94

[52] **U.S. Cl.** **D7/354**; D7/360; D7/361

FIG. 3 is a front perspective view thereof, the bottom is flat and unornamented;

[58] **Field of Search** D7/354, 356, 361, D7/393, 395; 16/110 A, 110 R; 99/324, 325, 339, 345, 425, 426, 445; 220/912

FIG. 4 is a side view of a second embodiment of the cooking pan, the opposite side view being a mirror image thereof; FIG. 5 is a back view thereof;

[56] **References Cited**

U.S. PATENT DOCUMENTS

FIG. 6 is a front perspective view thereof, the bottom is flat and unornamented;

- D. 121,468 7/1940 Farber D7/361
- D. 328,997 9/1992 Gerlach D7/361
- D. 337,694 7/1993 Hacker et al. D7/393
- 3,922,458 11/1975 Lynch D7/361
- 4,209,877 7/1980 Colasent D7/395
- 4,825,505 5/1989 Witte 16/110 A

FIG. 7 is a side view of a third embodiment of the cooking pan, the opposite side view being a mirror image thereof;

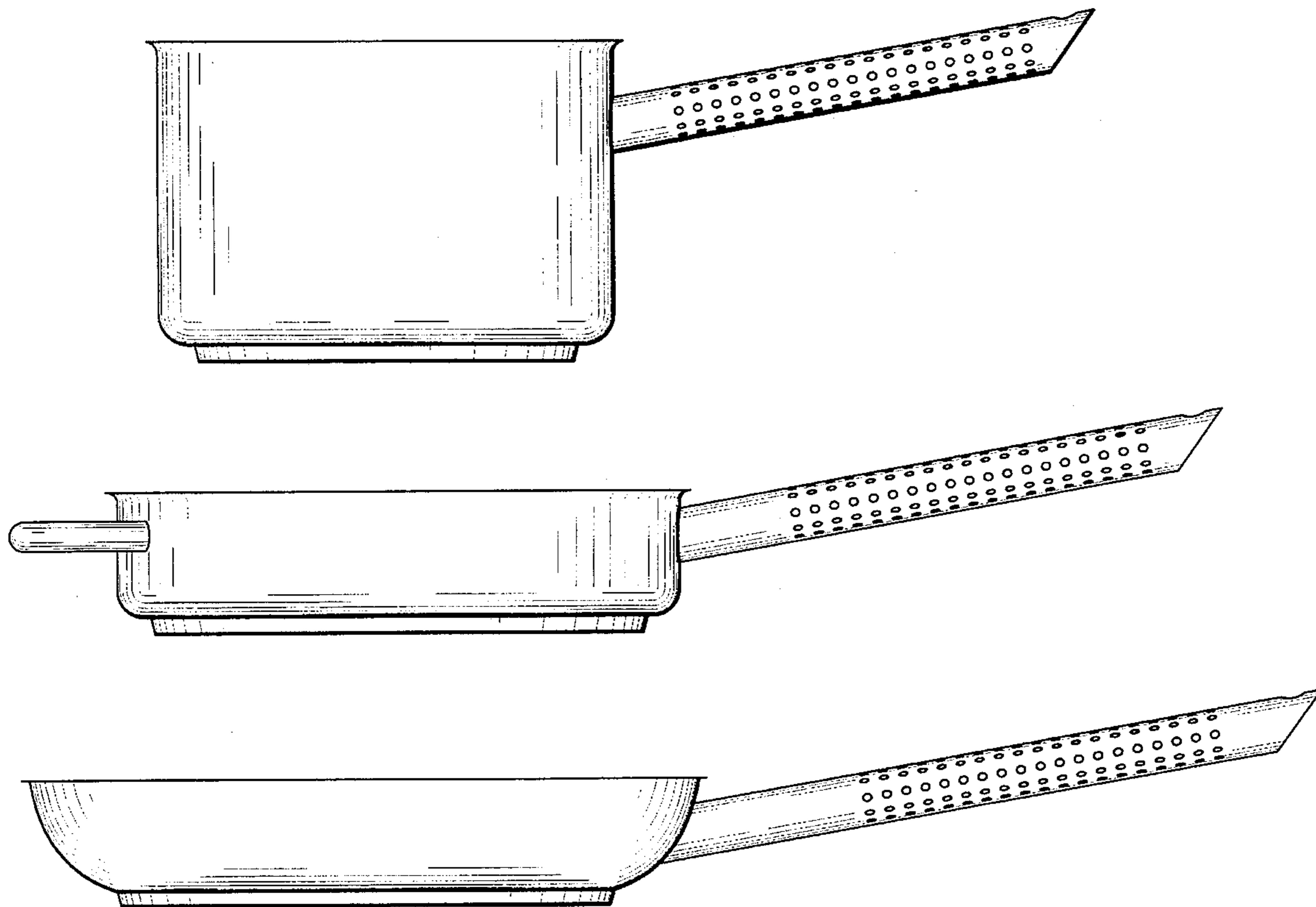
FIG. 8 is a back view thereof; and,

FIG. 9 is a front perspective view thereof, the bottom is flat and unornamented.

FOREIGN PATENT DOCUMENTS

1234292 10/1960 France D7/354

1 Claim, 9 Drawing Sheets



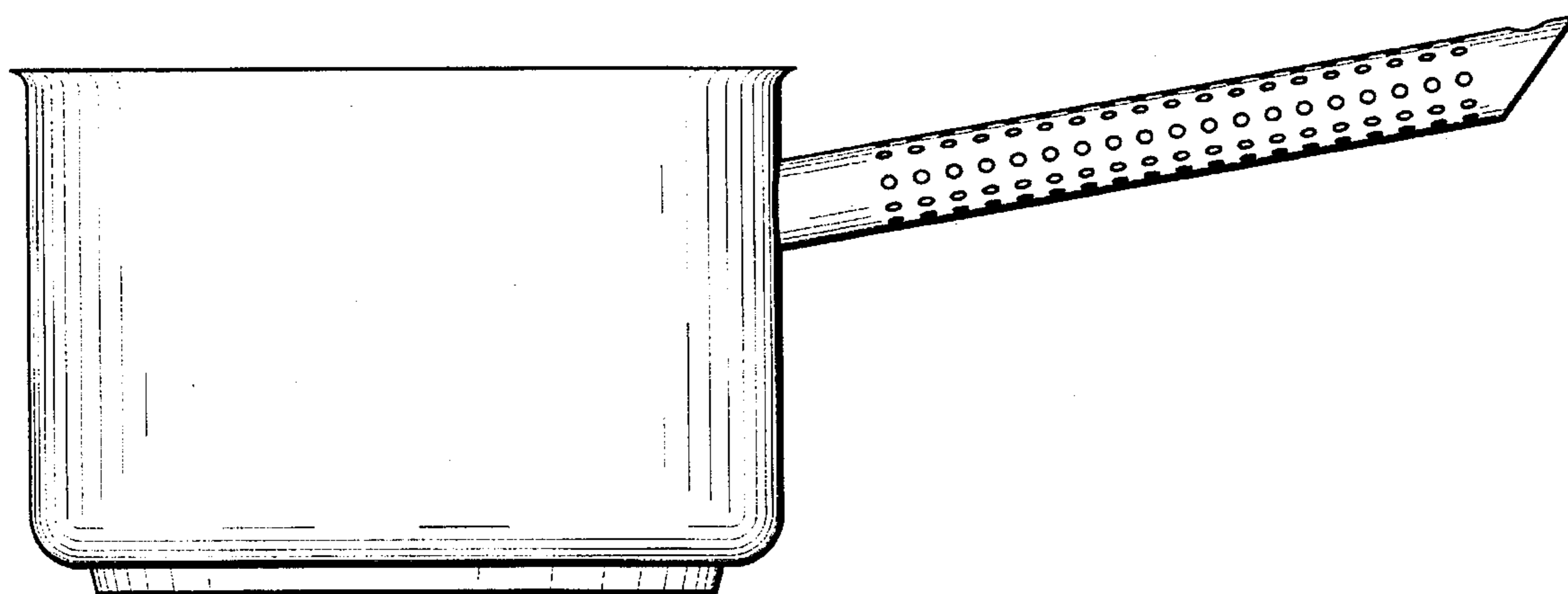


Fig. 1

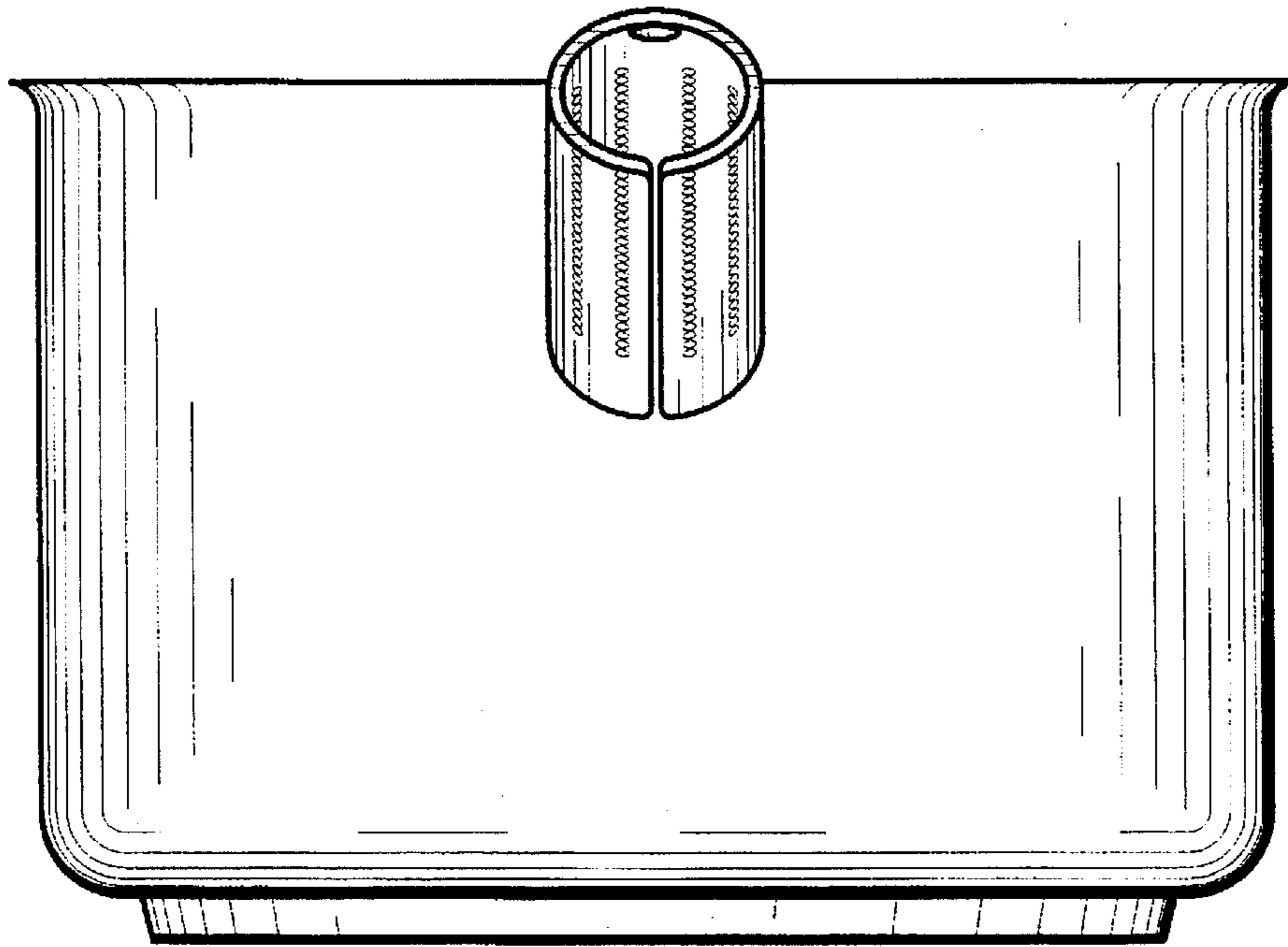


Fig. 2

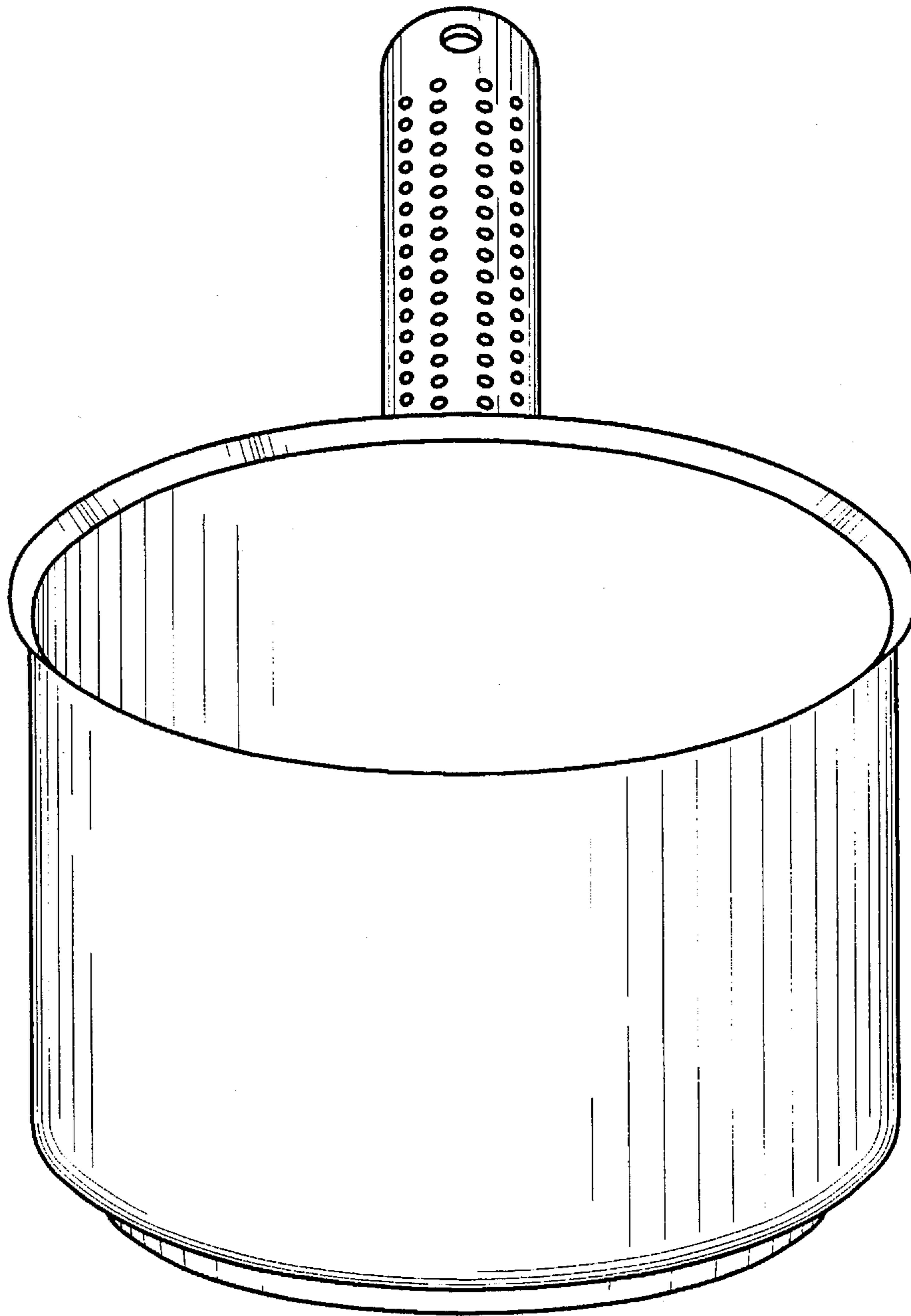


Fig. 3

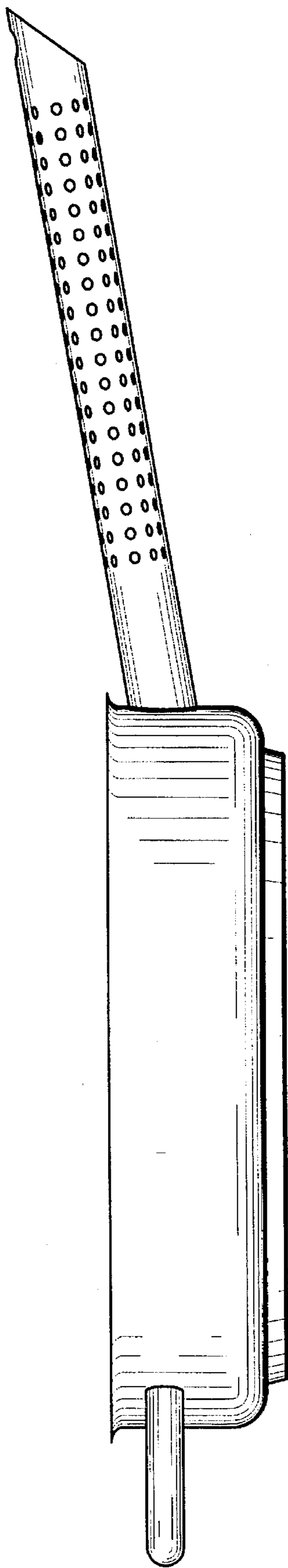


Fig. 4

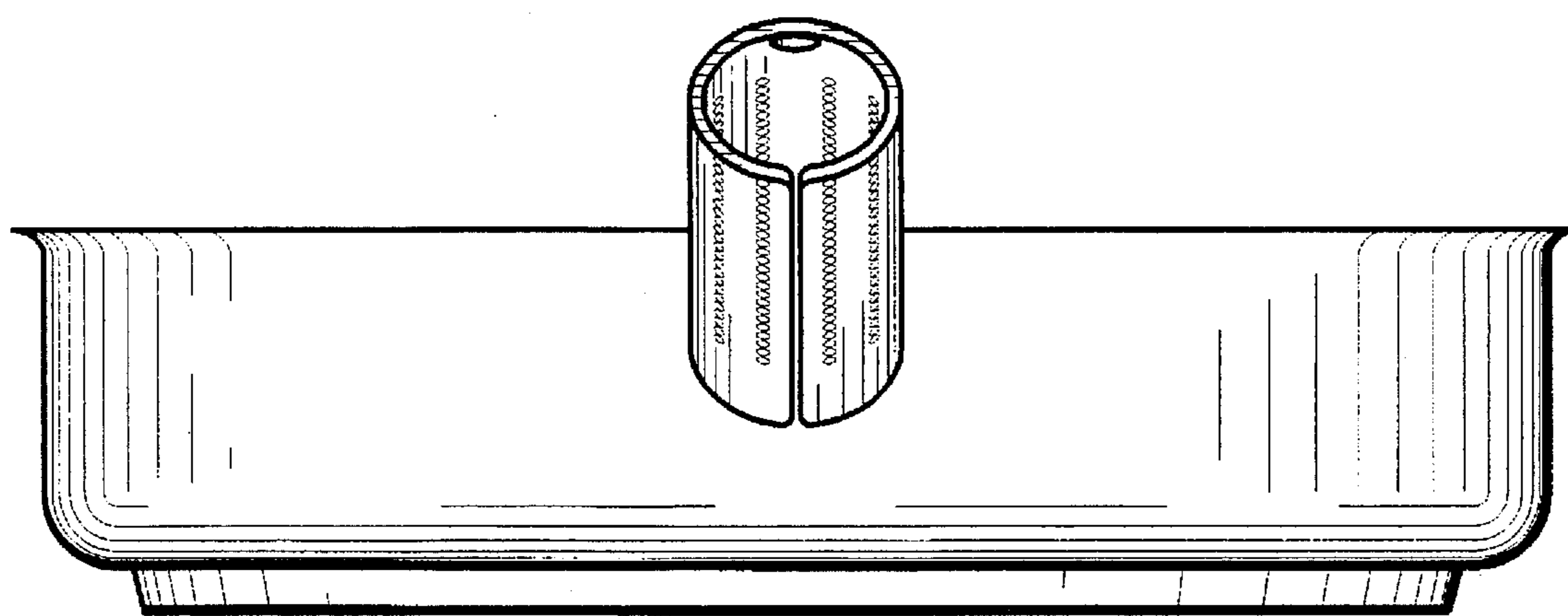


Fig. 5

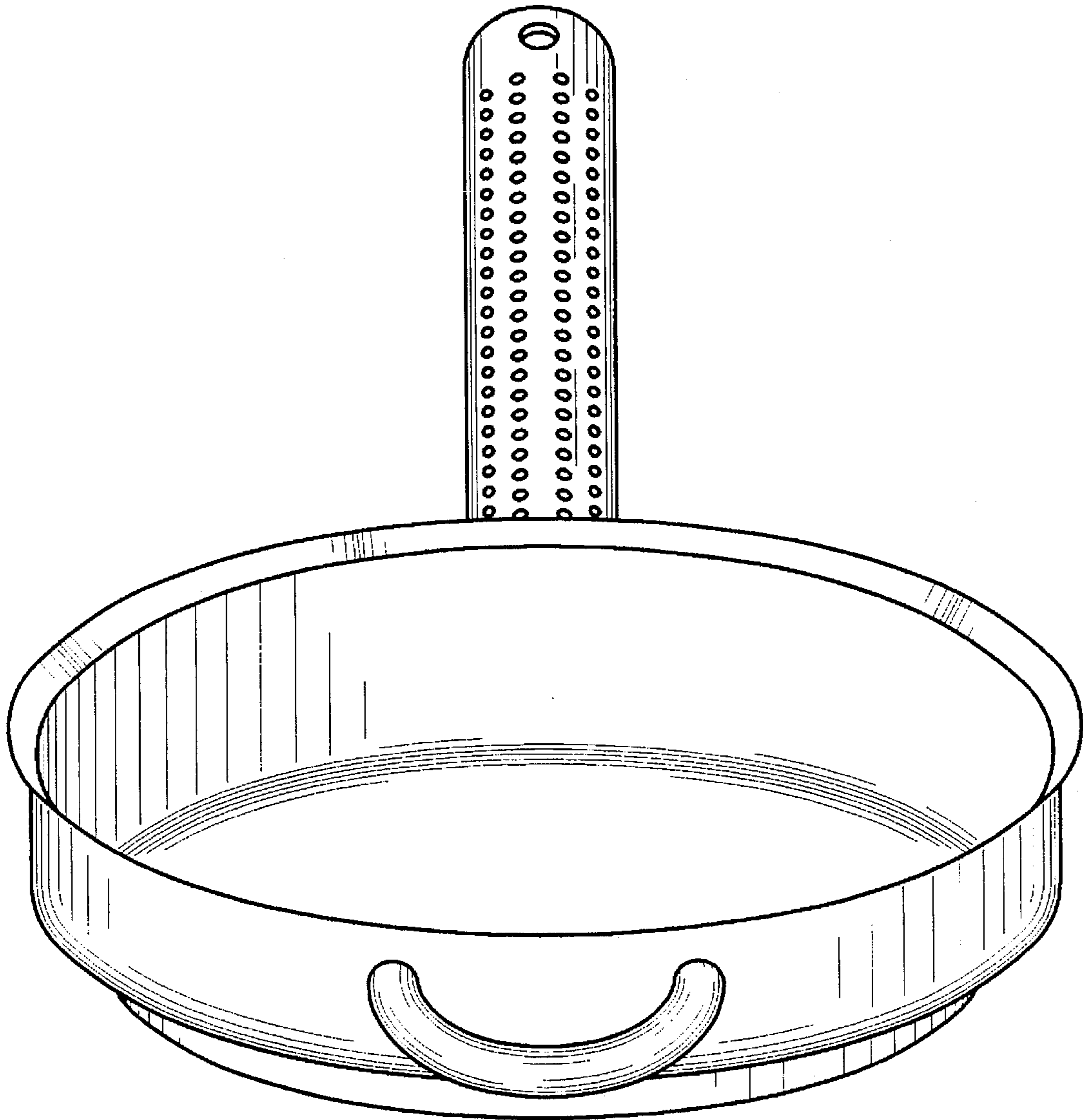


Fig. 6

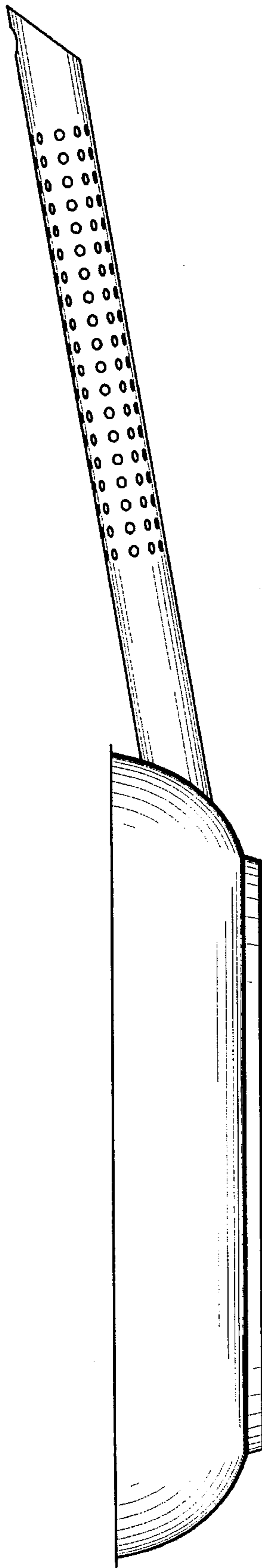


Fig. 7

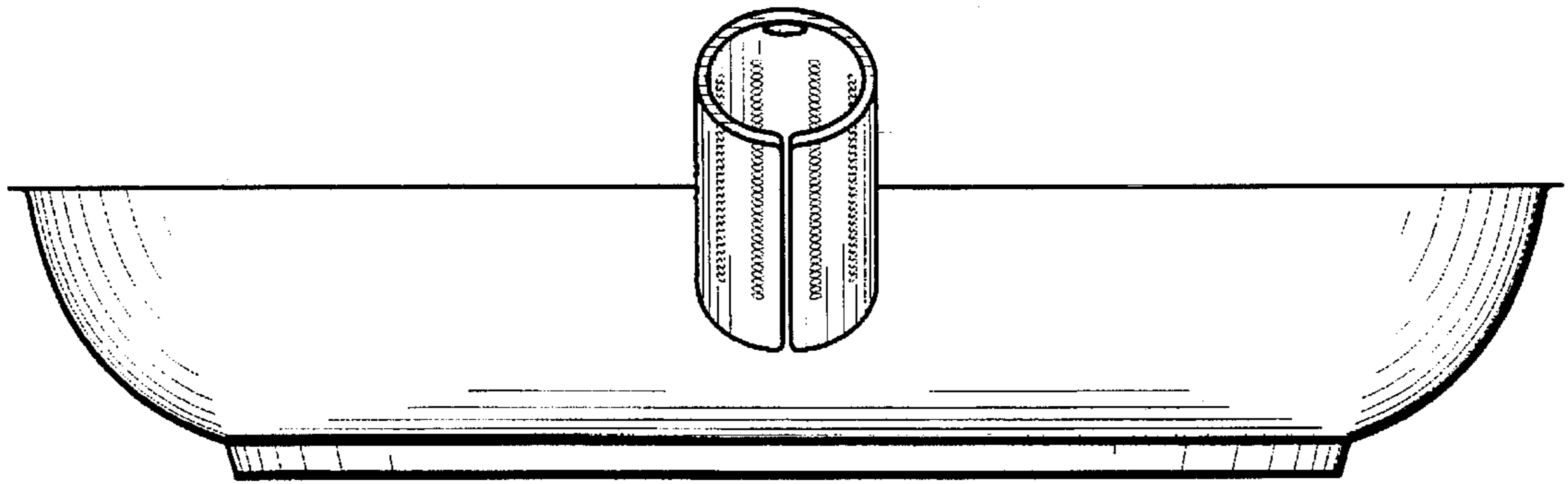


Fig. 8

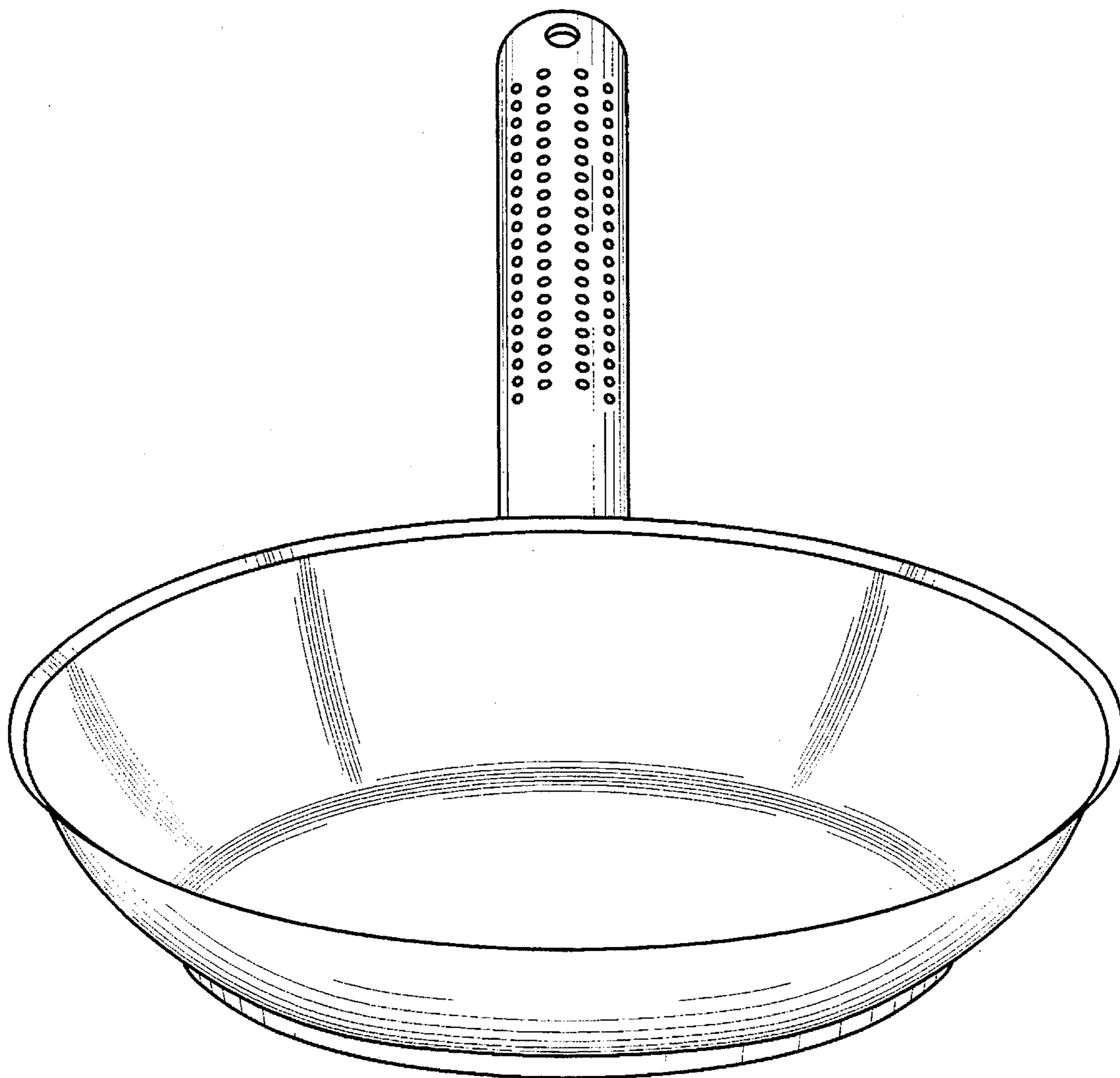


Fig. 9