



US00D375431S

# United States Patent [19]

Credle, Jr. et al.

[11] Patent Number: Des. 375,431

[45] Date of Patent: \*\*Nov. 12, 1996

## [54] LOW COST BEVERAGE DISPENSER

[75] Inventors: **William S. Credle, Jr.**, Stone Mountain; **Steven C. Gamper**, Atlanta; **David S. Rowley**, Smyrna, all of Ga.; **John D. Santy, Jr.**, San Antonio, Tex.

[73] Assignee: **The Coca-Cola Company**, Atlanta, Ga.

[\*\*] Term: **14 Years**

[21] Appl. No.: **43,012**

[22] Filed: **Aug. 23, 1995**

### Related U.S. Application Data

[63] Continuation-in-part of Ser. No. 24,119, Jun. 8, 1994, abandoned.

[52] U.S. Cl. .... **D7/311; D7/306**

[58] Field of Search ..... **D7/300, 306, 307, D7/308, 309, 310, 311; 99/288**

### [56] References Cited

#### U.S. PATENT DOCUMENTS

D. 268,840	5/1983	Reed .	
D. 269,485	6/1983	Marotta .....	D7/309
D. 317,695	6/1991	Stern .	
1,626,544	4/1927	Lorant .	
1,934,623	11/1933	Frick .	
2,685,985	8/1954	Howell, Jr. .	
2,746,642	5/1956	Parks .	
3,207,376	9/1965	Molitor .	

4,363,426	12/1982	Heinzl et al. .	
4,614,859	9/1986	Beckering .....	99/288 X
4,793,518	12/1988	Burton .	
4,982,877	1/1991	Burton .	
5,114,047	5/1992	Baaron et al. .	
5,275,309	1/1994	Baron et al. .	

### OTHER PUBLICATIONS

Espresso Machine, Domus, Apr. 1973 p. 725.  
Coffee Machine (center left) Vending Times p. 30 Jul. 1984.

*Primary Examiner*—M. N. Pandozzi  
*Attorney, Agent, or Firm*—Thomas R. Boston

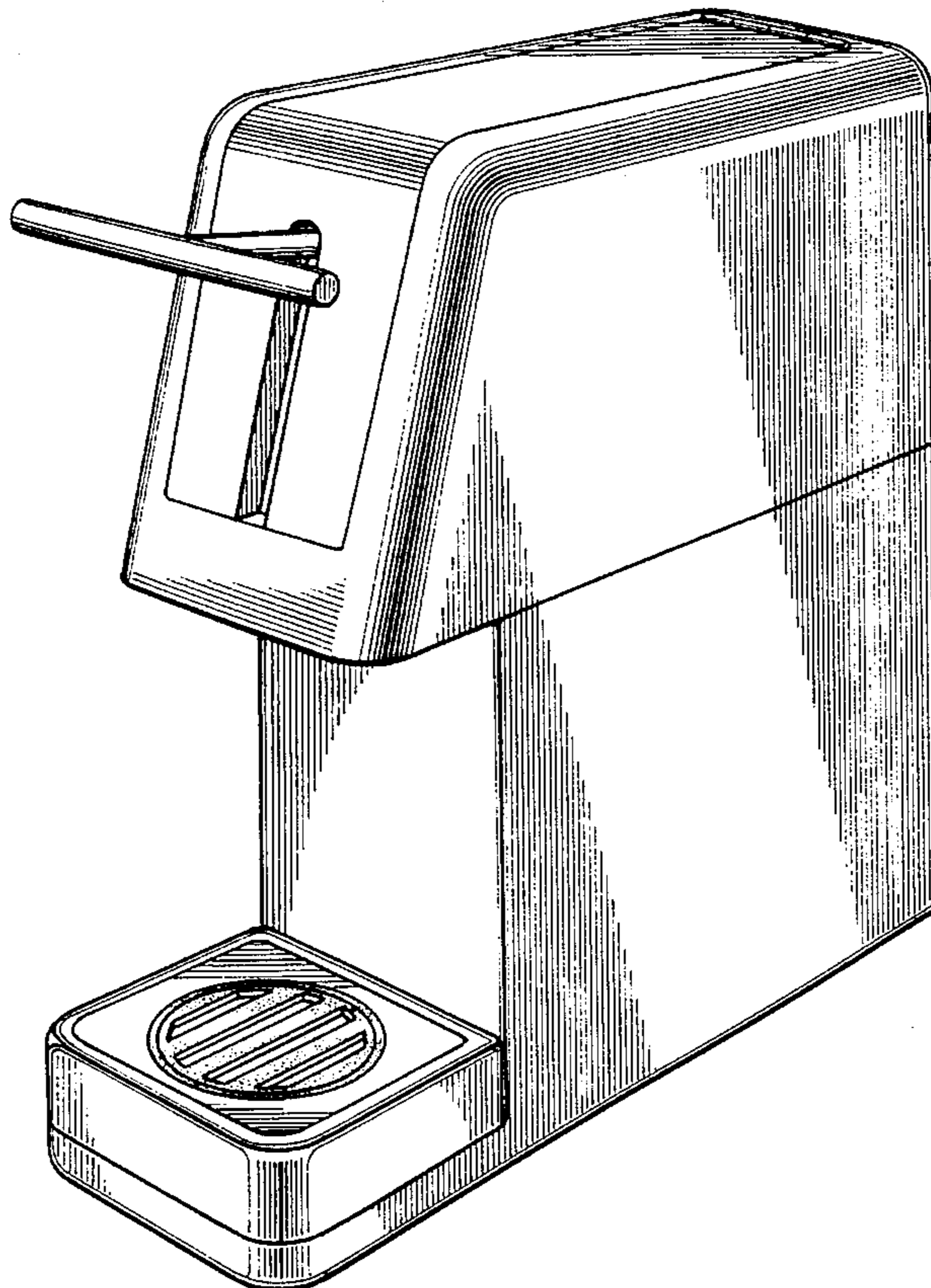
### [57] CLAIM

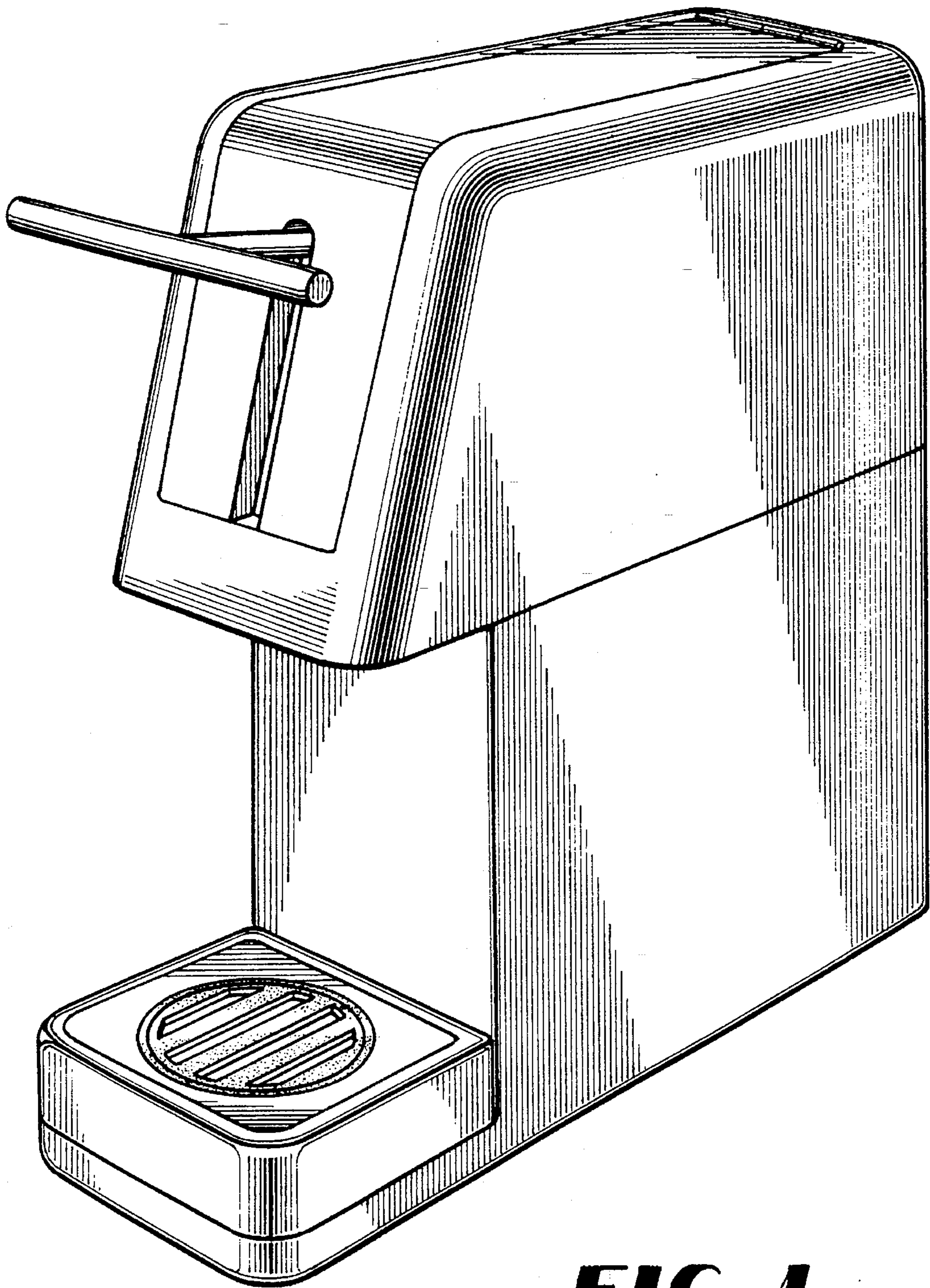
The ornamental design for a low cost beverage dispenser, as shown.

### DESCRIPTION

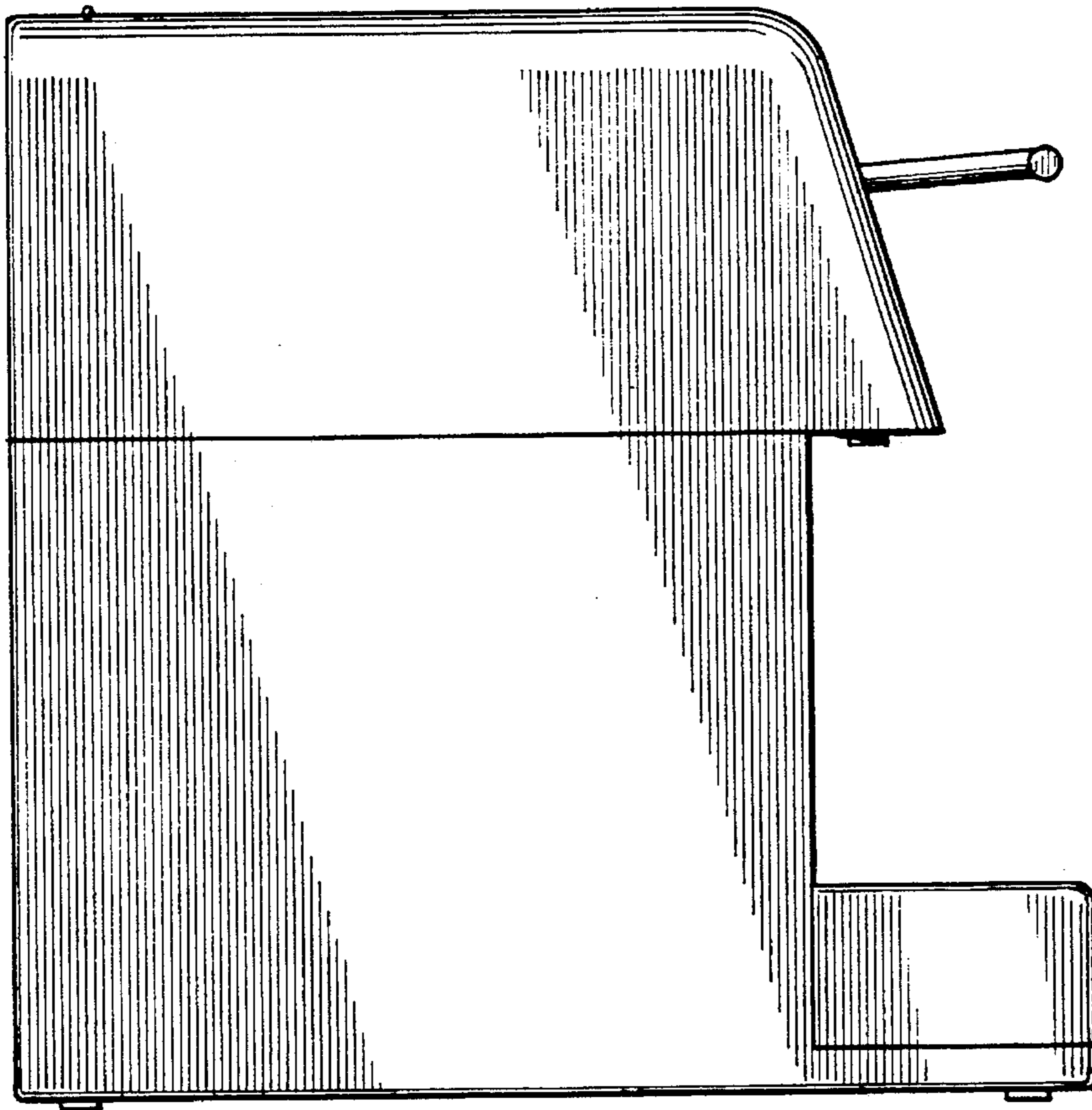
FIG. 1 is a top, front, right side perspective view of one embodiment of this invention;  
FIG. 2 is a right side elevational view of the dispenser of FIG. 1;  
FIG. 3 is a top plan view of the dispenser of FIG. 1;  
FIG. 4 is a left side elevational view of the dispenser of FIG. 1;  
FIG. 5 is a bottom plan view of the dispenser of FIG. 1;  
FIG. 6 is a front elevational view of the dispenser of FIG. 1;  
and,  
FIG. 7 is a rear elevational view of the dispenser of FIG. 1.

1 Claim, 4 Drawing Sheets

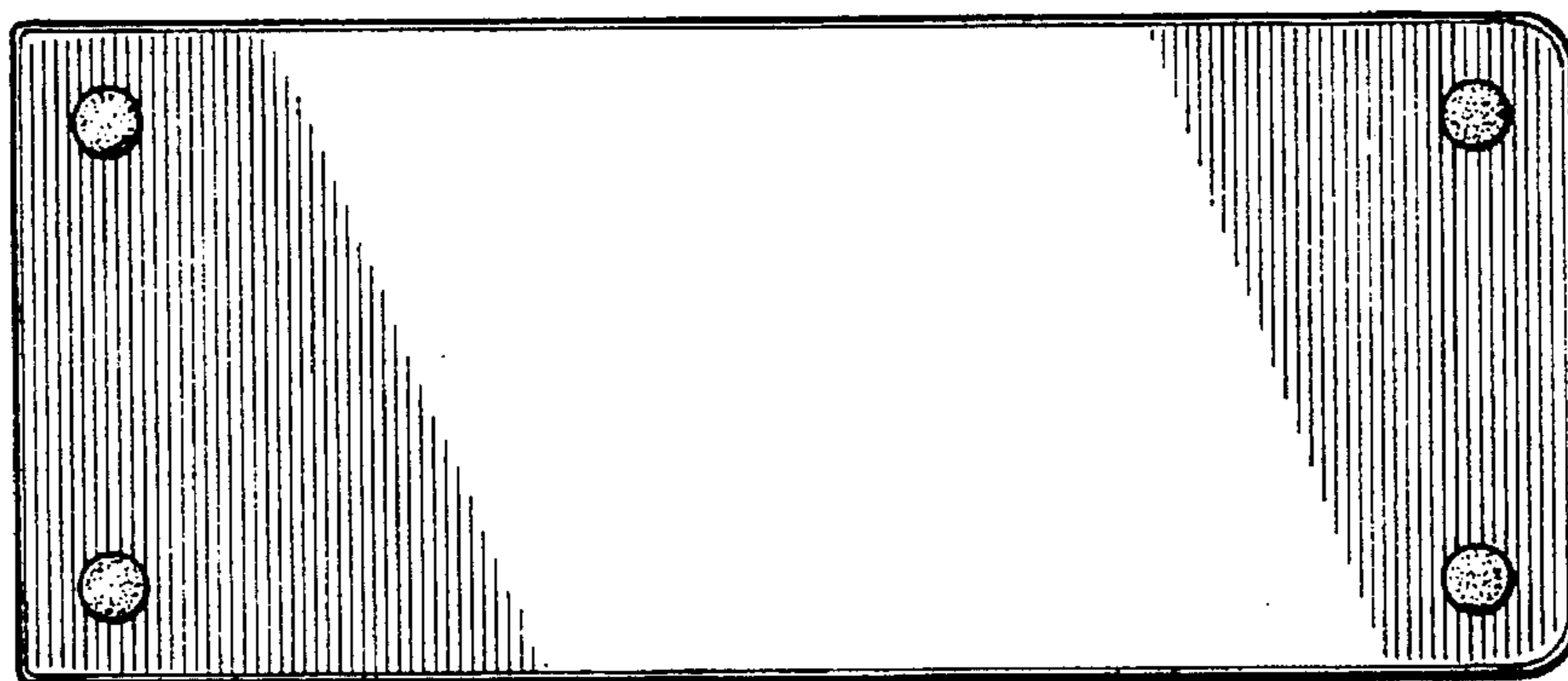




**FIG 1**

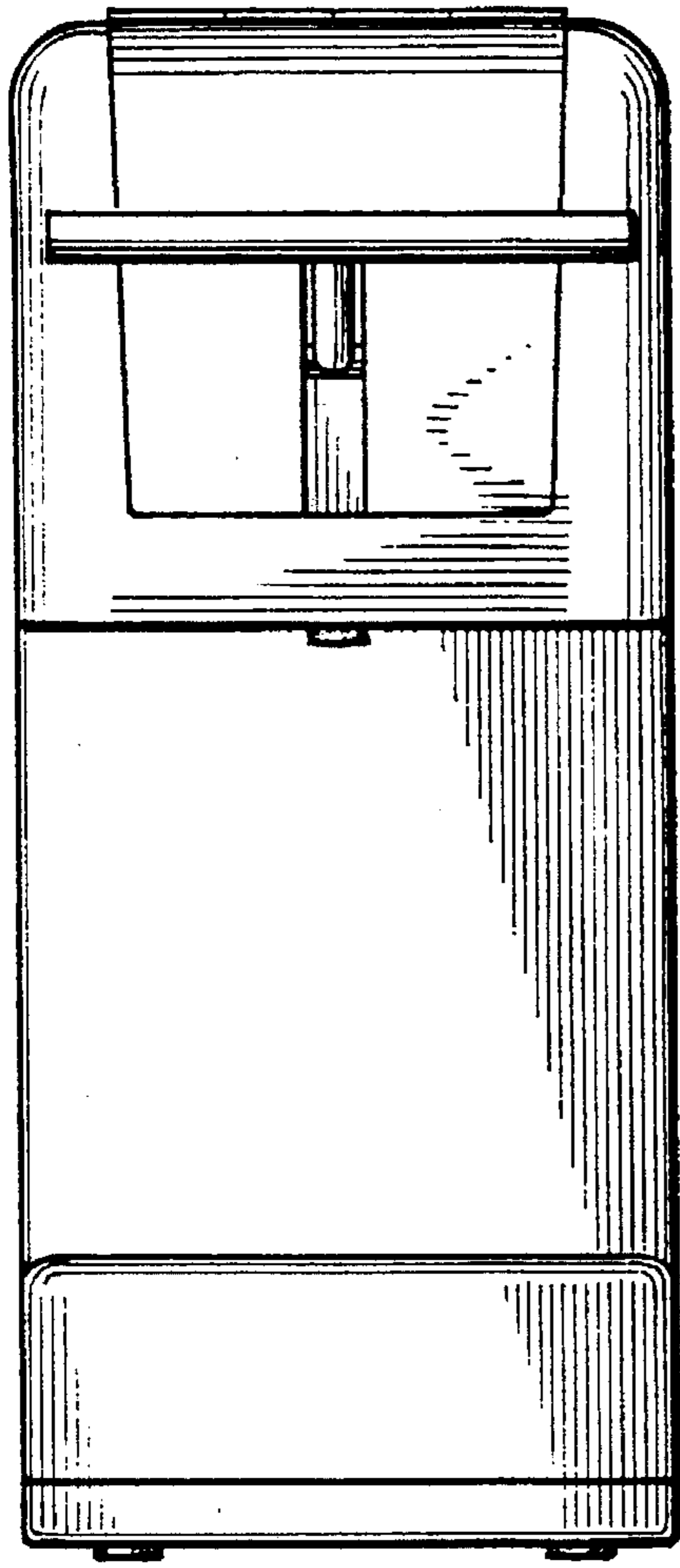


**FIG 4**

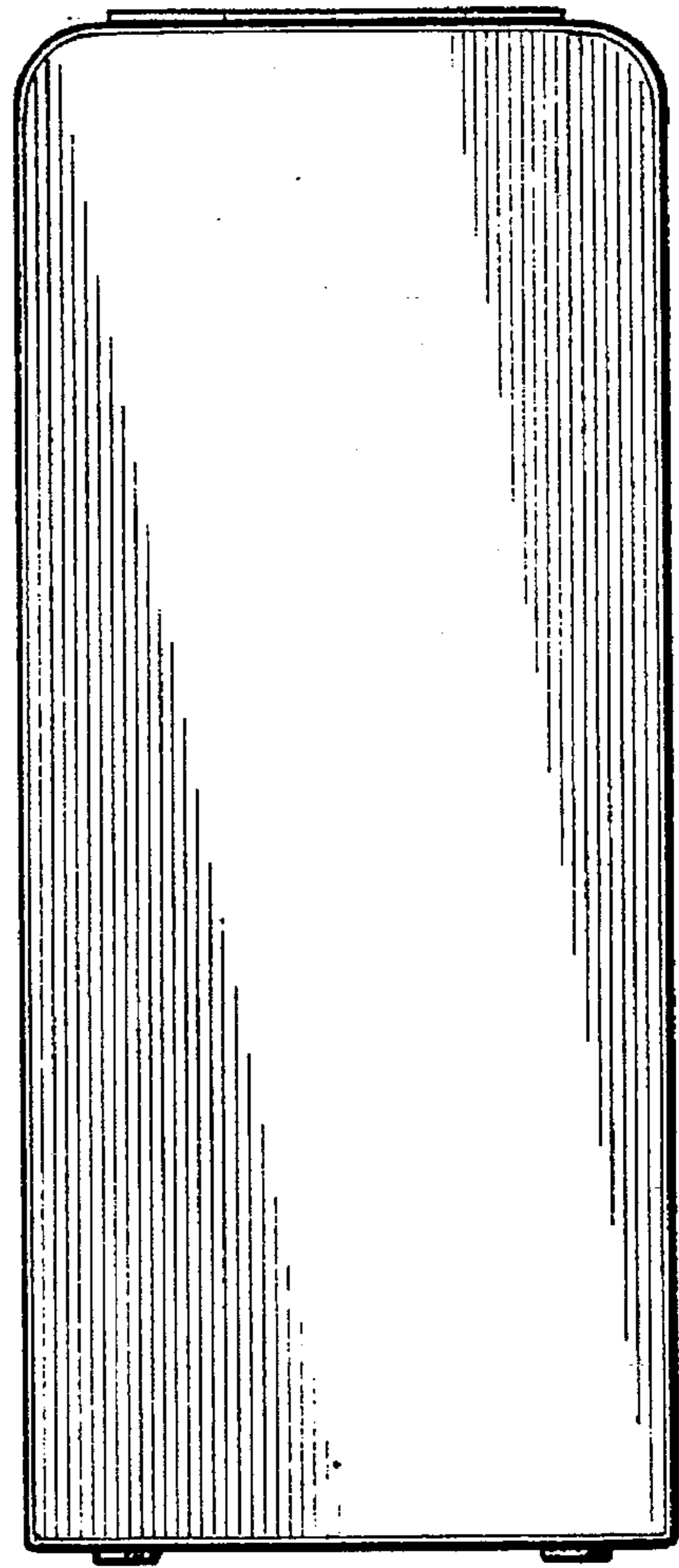


**FIG 5**

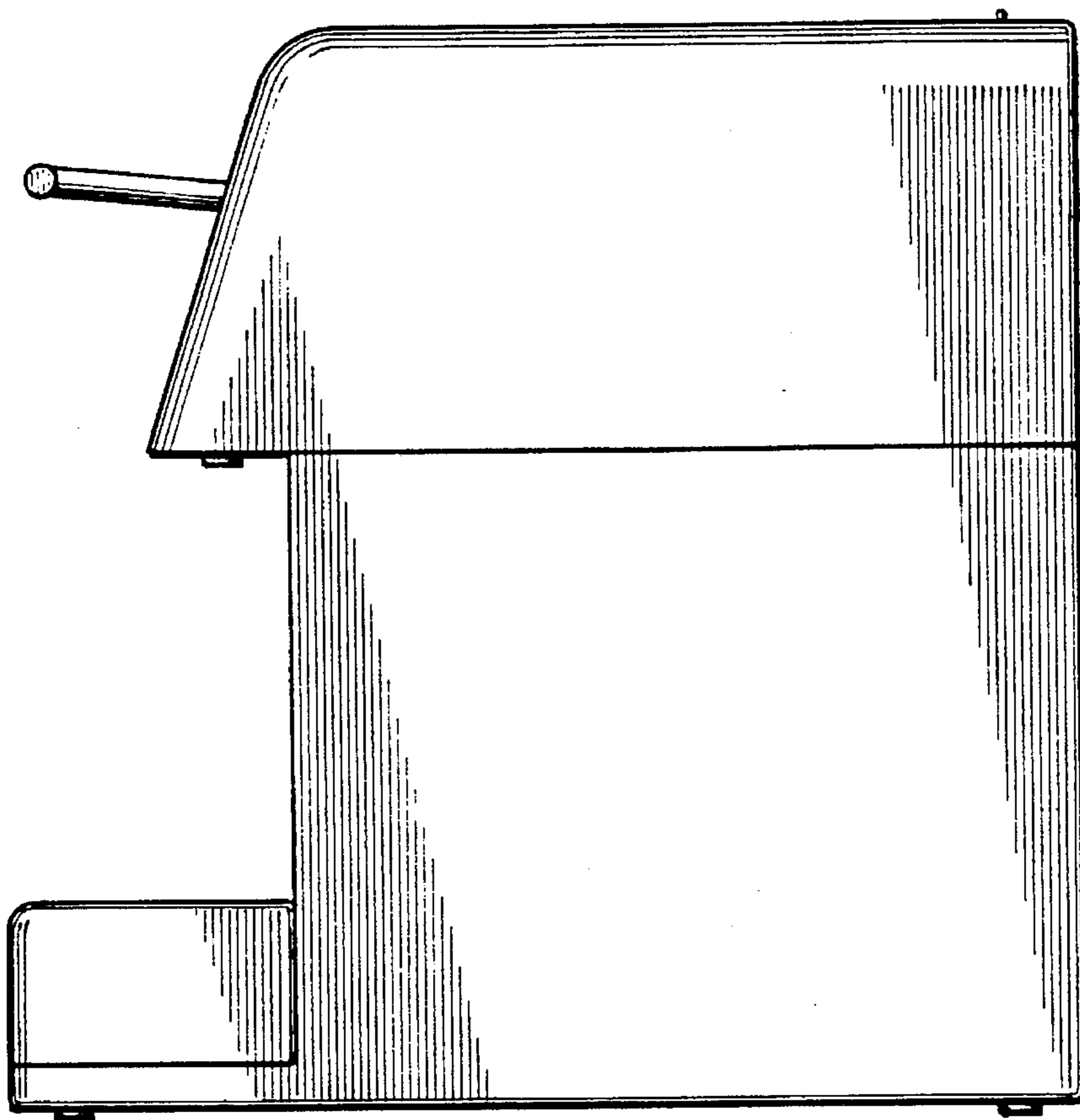




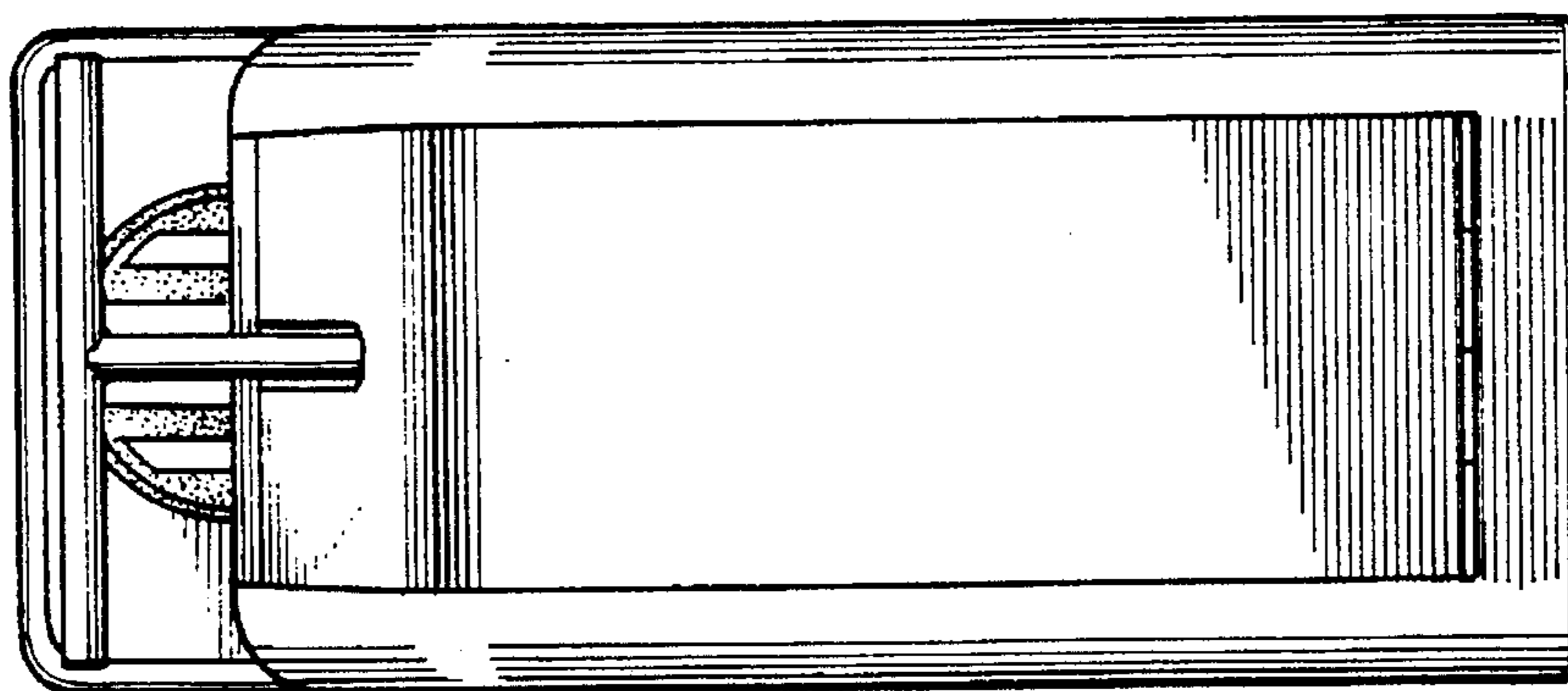
**FIG 6**



**FIG 7**



**FIG 2**



**FIG 3**