



US00D375429S

United States Patent [19]

Staack et al.

[11] Patent Number: **Des. 375,429**

[45] Date of Patent: ****Nov. 12, 1996**

[54] **FLOPPY DISC HOLDER**

[75] Inventors: **James A. Staack**, Seminole; **David R. Marvel**, Indian Rocks Beach, both of Fla.

[73] Assignee: **New Plastics, Inc.**, Clearwater, Fla.

[**] Term: **14 Years**

[21] Appl. No.: **38,091**

[22] Filed: **Apr. 28, 1995**

[52] U.S. Cl. **D6/627**; D6/407

[58] Field of Search D6/407, 626-635; D14/114; D3/247; 211/40, 41; D19/75.76, 26; 206/387.1, 387.15, 311, 312, 307, 307.1, 308.1, 308.3, 309

[56] **References Cited**

U.S. PATENT DOCUMENTS

- D. 236,238 8/1975 Larson D6/407
- D. 299,888 2/1989 Maxwell D6/407
- D. 306,935 4/1990 Kirchner et al. D6/407

- D. 316,181 4/1991 Clifton D6/423
- D. 337,656 7/1993 Hostert D3/247
- D. 351,829 10/1994 Maines D14/114
- D. 360,085 7/1995 Staack et al. D6/407
- 4,928,818 5/1990 Freiss et al. 211/40

Primary Examiner—Louis S. Zarfaz
Assistant Examiner—Gregory Andoll
Attorney, Agent, or Firm—James E. Larson

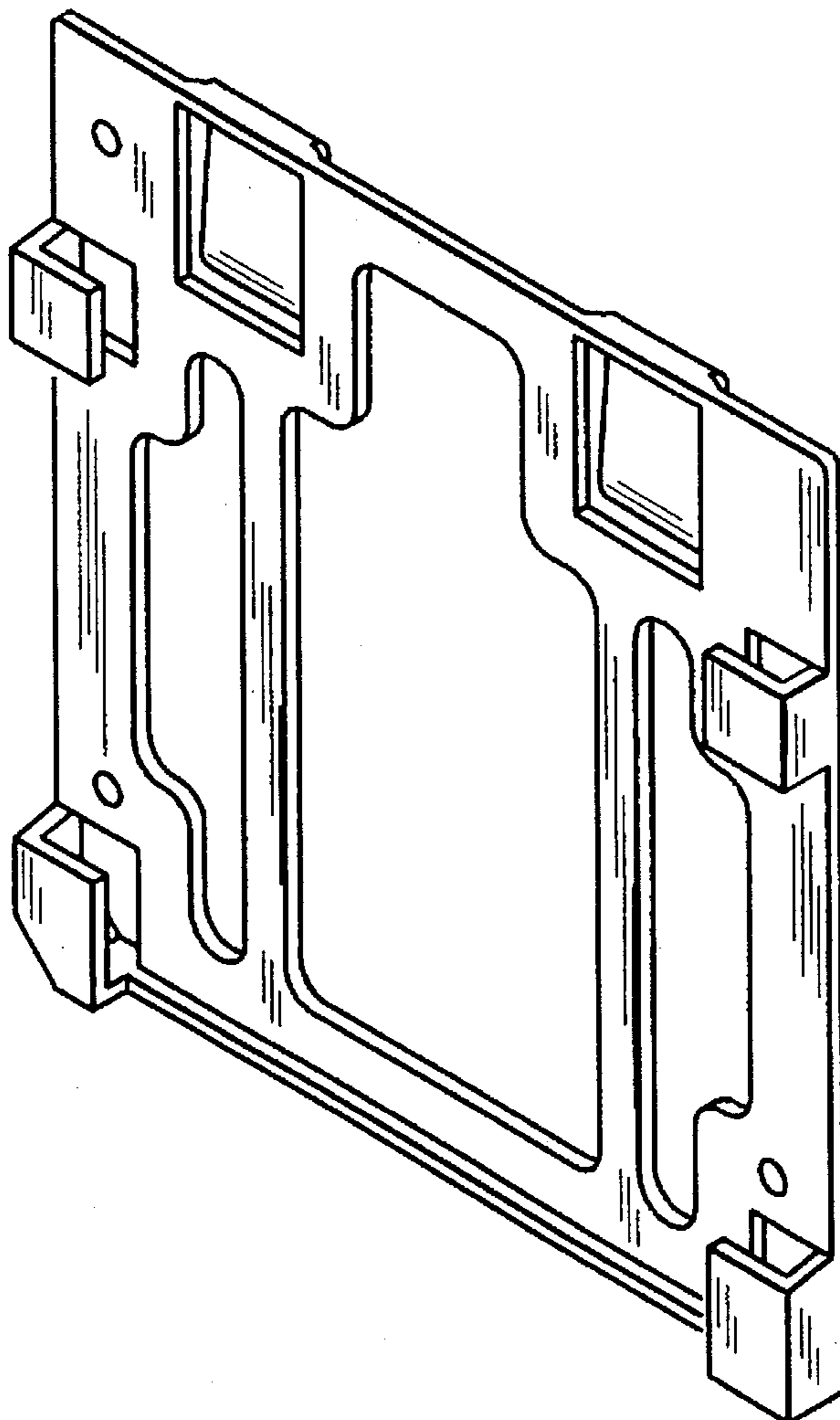
[57] **CLAIM**

The ornamental design for a floppy disc holder, as shown and described.

DESCRIPTION

FIG. 1 is a perspective view of a floppy disc holder showing our new design;
FIG. 2 is a front elevational view thereof;
FIG. 3 is a rear elevational view thereof;
FIG. 4 is a left side elevational view thereof;
FIG. 5 is a right side elevational view thereof;
FIG. 6 is a top plan view thereof; and,
FIG. 7 is a bottom plan view thereof.

1 Claim, 2 Drawing Sheets



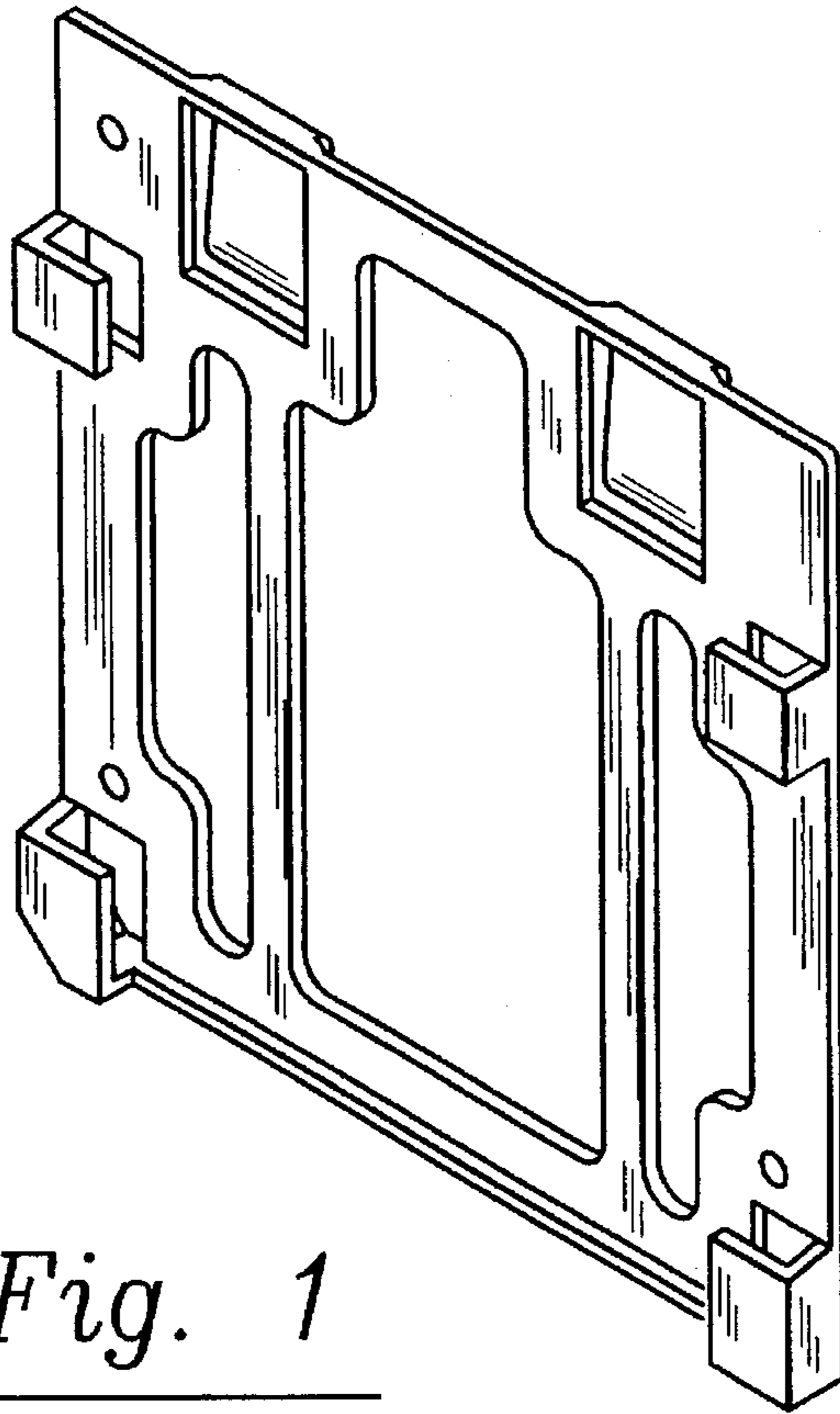


Fig. 1

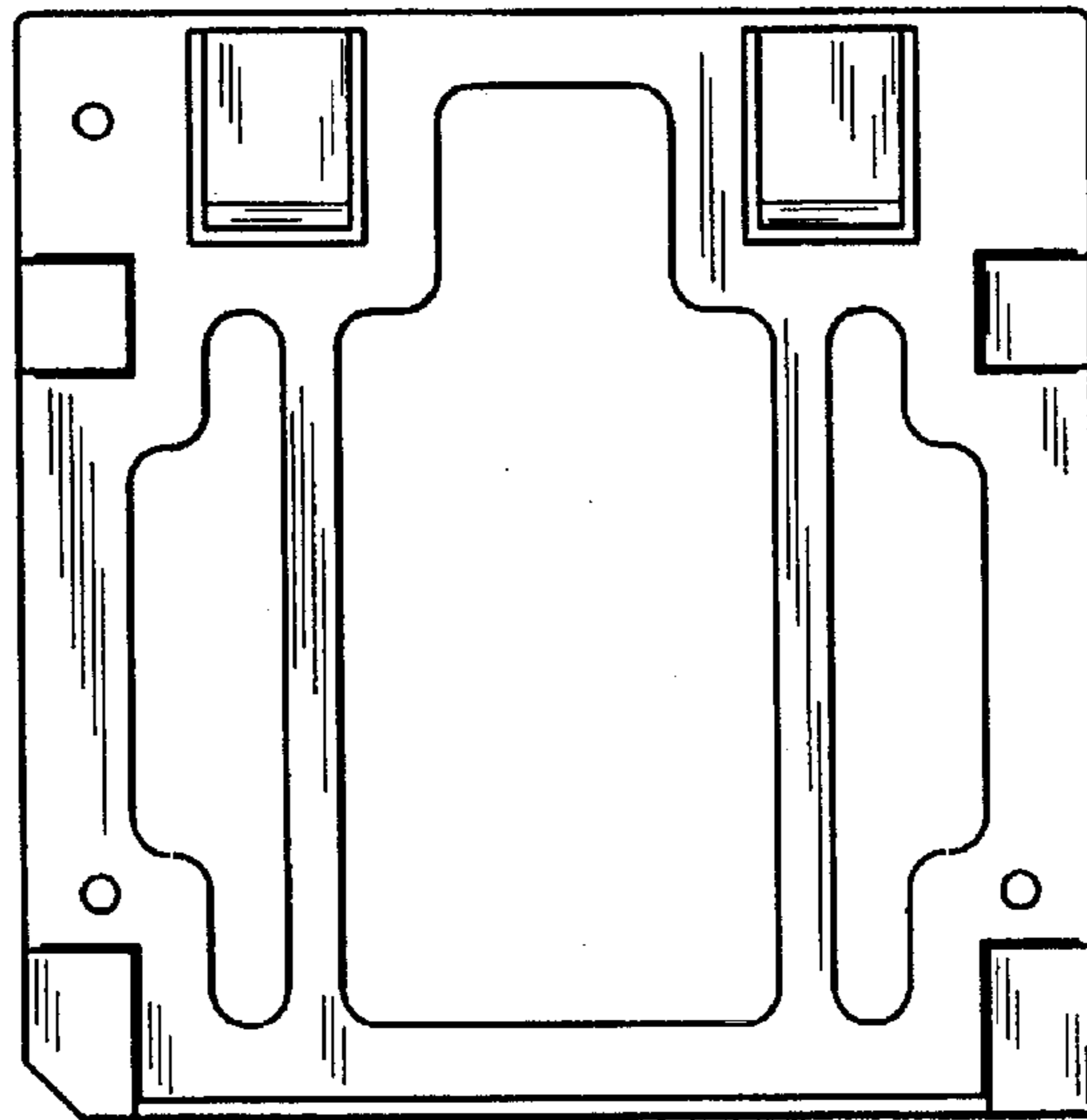


Fig. 2

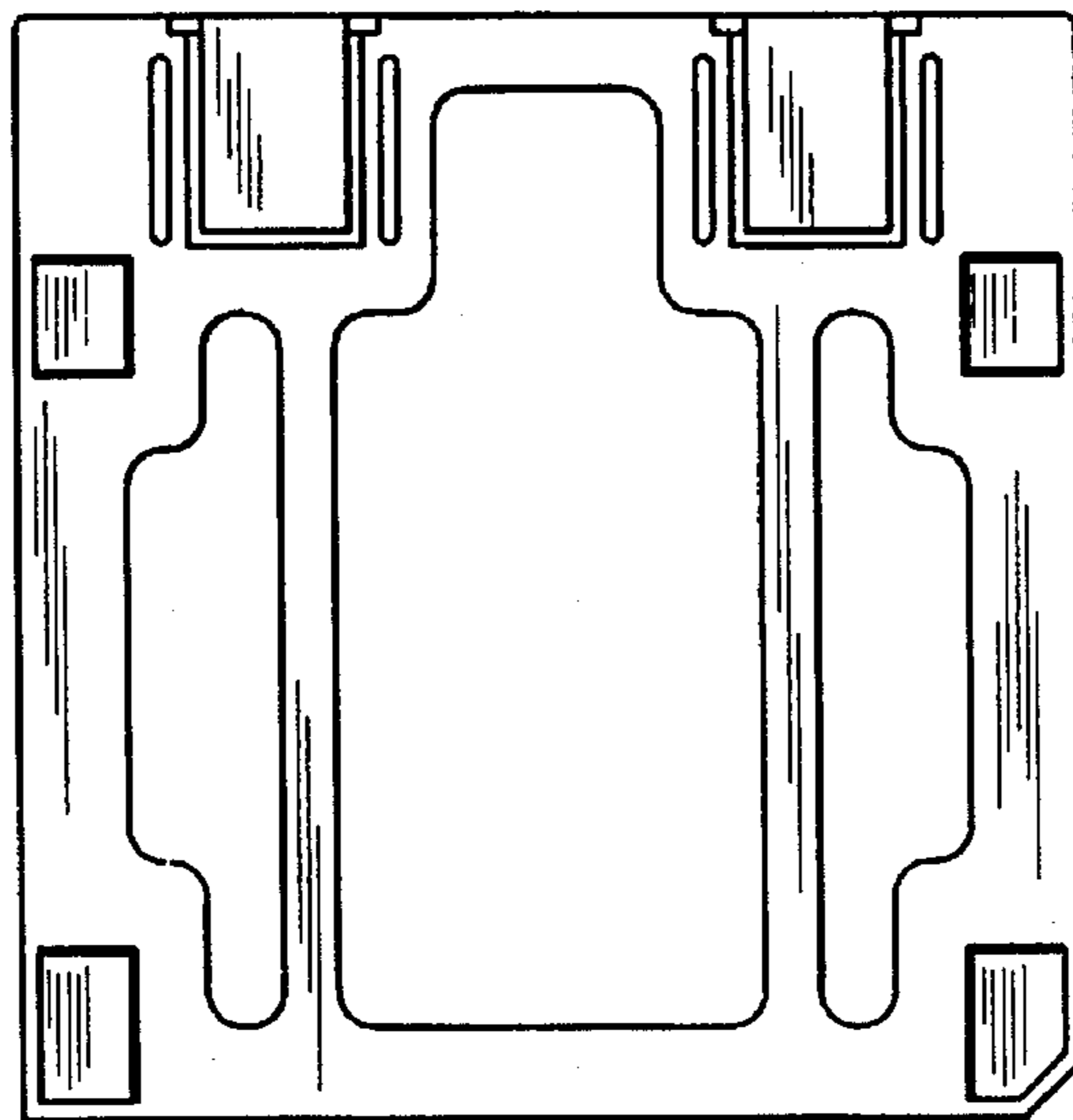


Fig. 3

Fig. 4

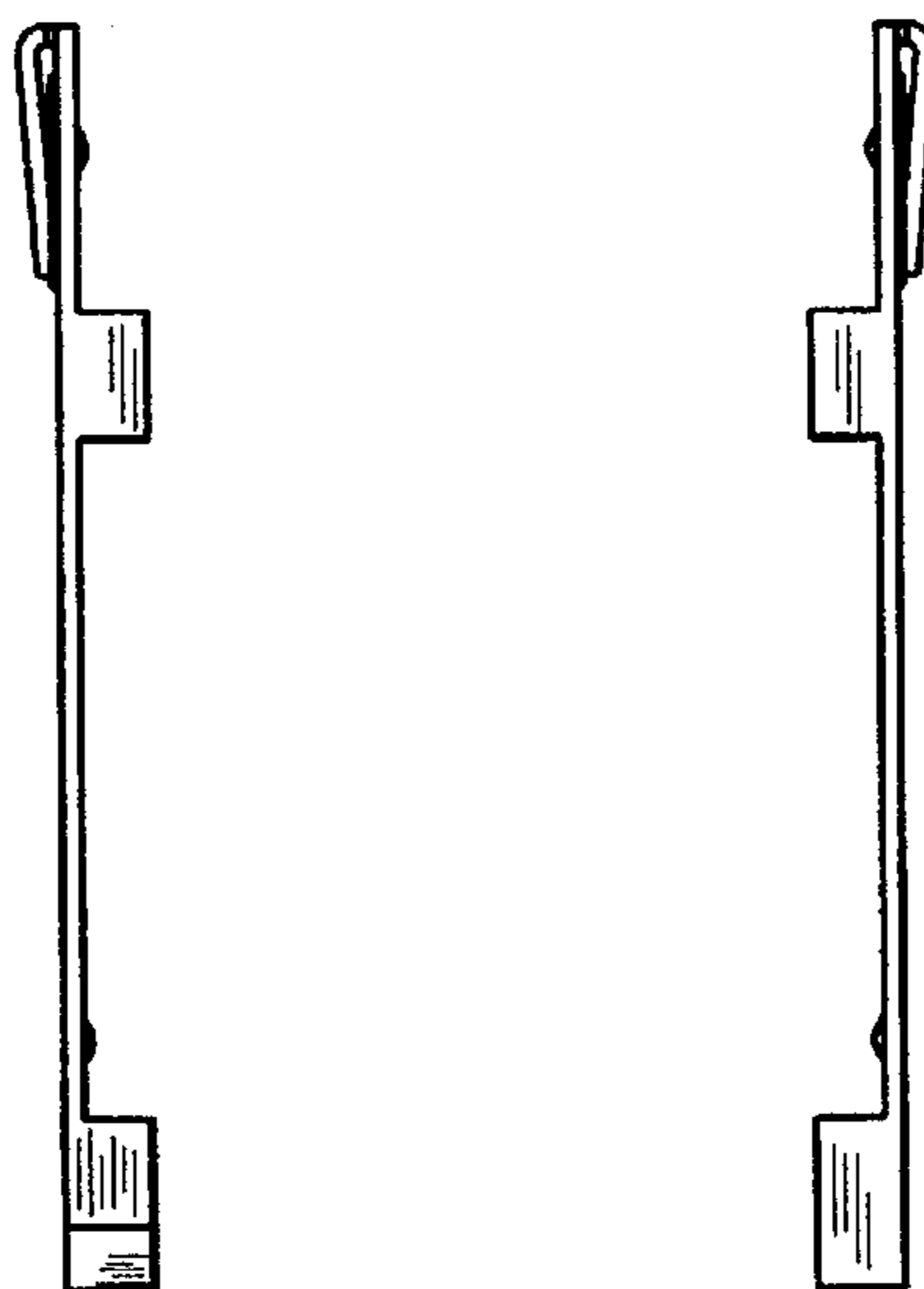


Fig. 5

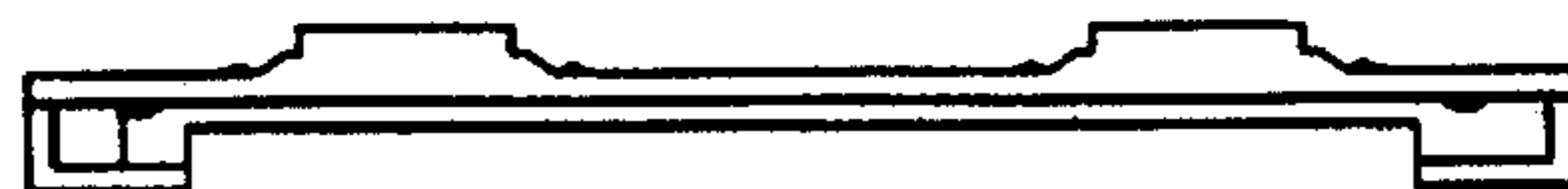


Fig. 6

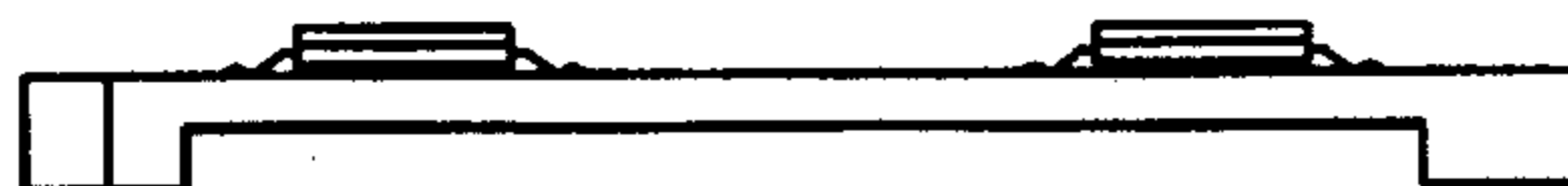


Fig. 7