



US00D375422S

United States Patent [19]
Jurasinski

[11] **Patent Number:** **Des. 375,422**
[45] **Date of Patent:** ****Nov. 12, 1996**

[54] **TABLE**

[76] Inventor: **Jeff Jurasinski**, 8617 Boysenberry St.,
Tampa, Fla. 33615

[**] Term: **14 Years**

[21] Appl. No.: **47,083**

[22] Filed: **Nov. 21, 1995**

Related U.S. Application Data

[62] Division of Ser. No. 18,485, Feb. 8, 1994, Pat. No. Des.
364,287.

[52] **U.S. Cl.** **D6/451; D6/486**

[58] **Field of Search** **D6/480-489, 495-499,**
D6/450, 451, 511, 303; 108/153, 156, 157,
161; D21/51, 53, 204, 232

[56] **References Cited**

U.S. PATENT DOCUMENTS

D. 98,138	1/1936	Bevelacqua	D6/489 X
D. 236,301	8/1975	Mudde	D6/486
D. 273,967	5/1984	Budde	D21/246
D. 274,286	6/1984	Budde	D21/246
D. 274,347	6/1984	Budde	D21/246
D. 309,683	8/1990	Solomon et al.	D6/450
D. 326,572	6/1992	Mackie	D6/451
D. 364,287	11/1995	Jurasinski	D6/451

OTHER PUBLICATIONS

Antonima Castelli, table on front.

Primary Examiner—Janice E. Seeger
Attorney, Agent, or Firm—Dominik & Stein

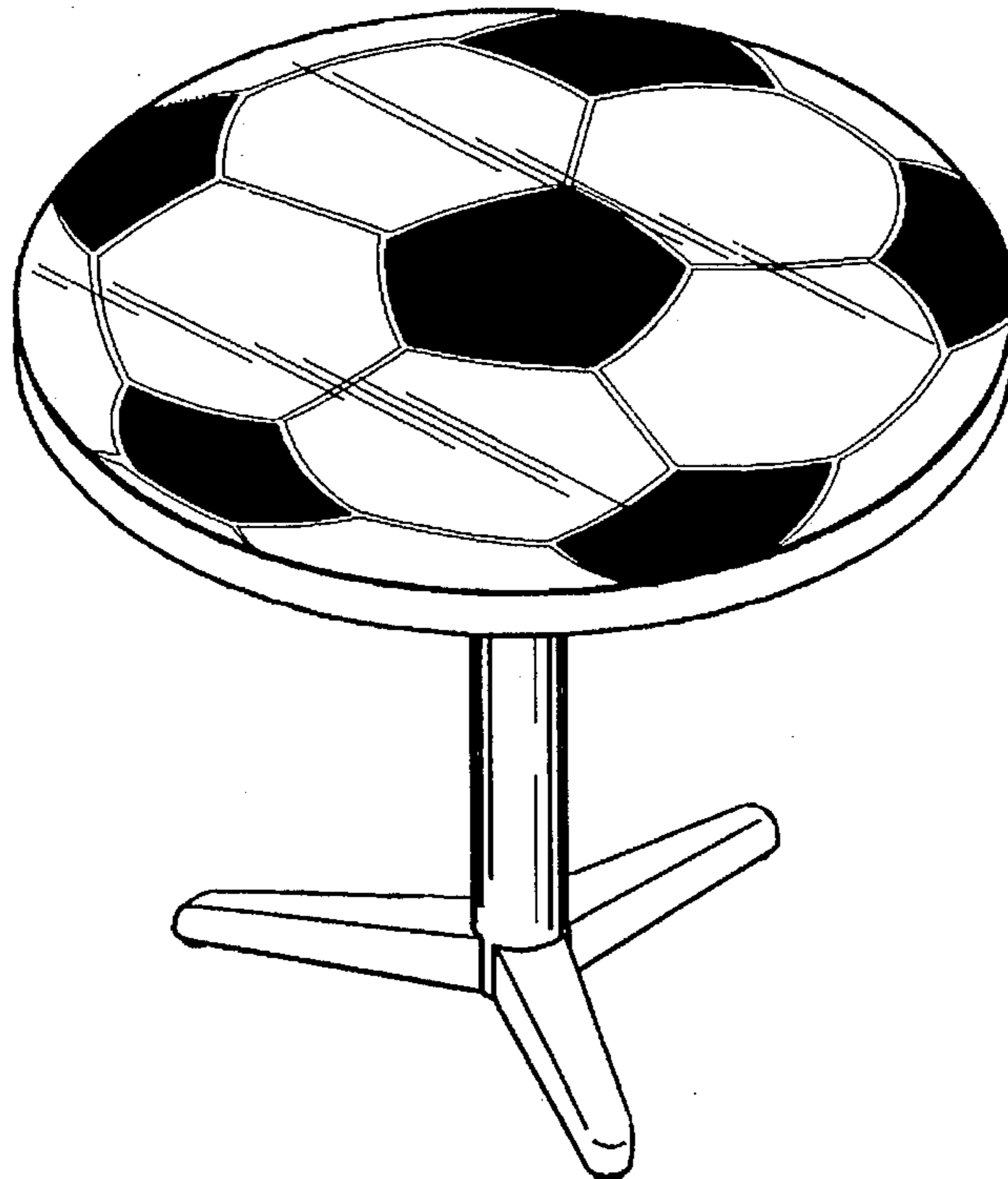
[57] **CLAIM**

The ornamental design for a table, as shown and described.

DESCRIPTION

FIG. 1 is a perspective view of a table, showing my new design;
 FIG. 2 is a top plan view;
 FIG. 3 is a bottom plan view;
 FIG. 4 is a typical side elevational view;
 FIG. 5 is a top plan view of a table, showing a second embodiment of my new design;
 FIG. 6 is a top plan view of a table, showing a third embodiment of my new design;
 FIG. 7 is a top plan view of a table, showing a fourth embodiment of my new design;
 FIG. 8 is a top plan view of a table, showing a fifth embodiment of my new design;
 FIG. 9 is a top plan view of a table, showing a sixth embodiment of my new design;
 FIG. 10 is a top plan view of a table, showing a seventh embodiment of my new design;
 FIG. 11 is a top plan view of a table, showing a eighth embodiment of my new design;
 FIG. 12 is a top plan view of a table, showing a ninth embodiment of my new design;
 FIG. 13 is a top plan view of a table, showing a tenth embodiment of my new design;
 FIG. 14 is a top plan view of a table, showing a eleventh embodiment of my new design; and,
 FIG. 15 is a top plan view of a table, showing a twelfth embodiment of my new design.

1 Claim, 6 Drawing Sheets



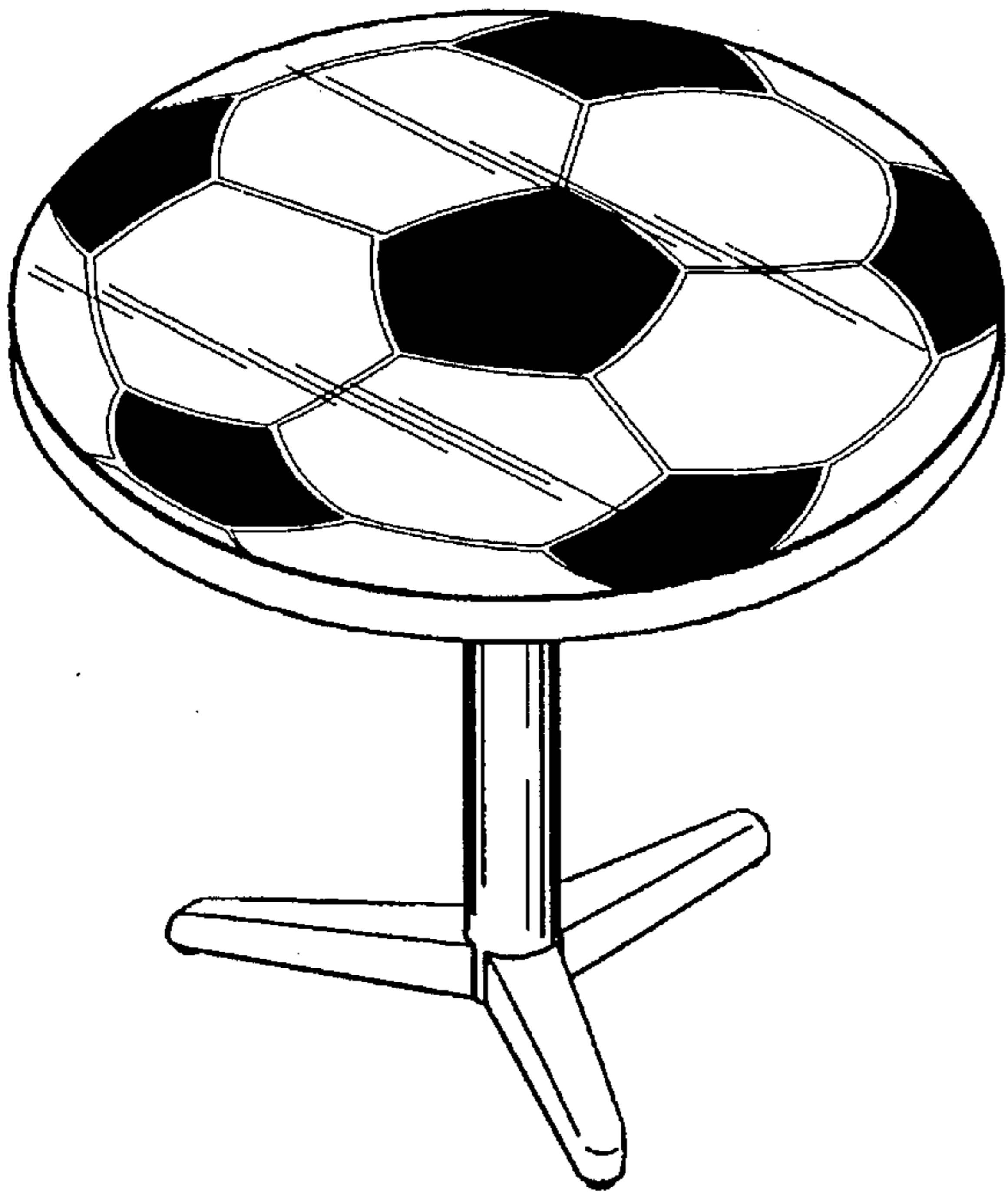


Fig. 1

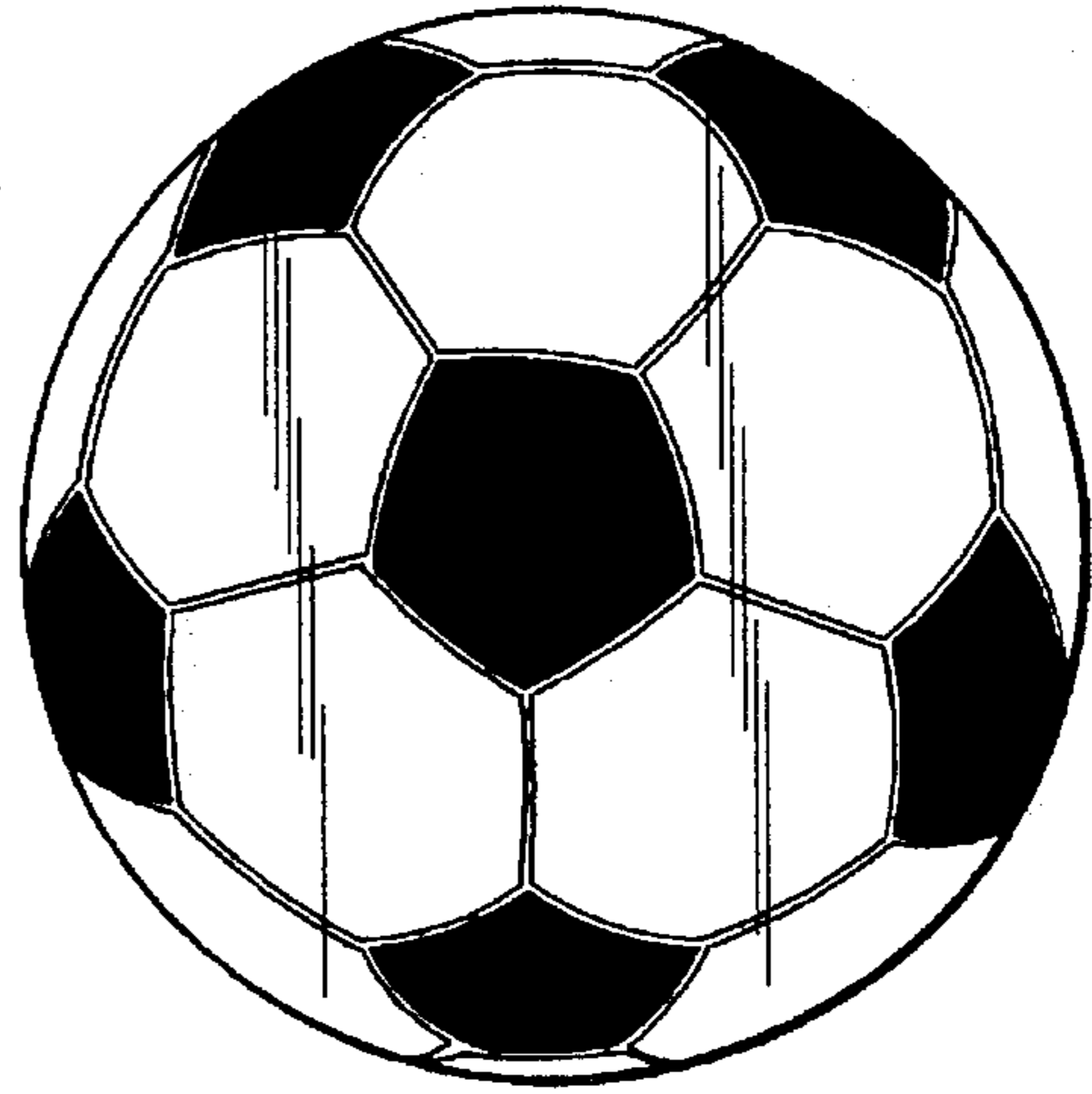


Fig. 2

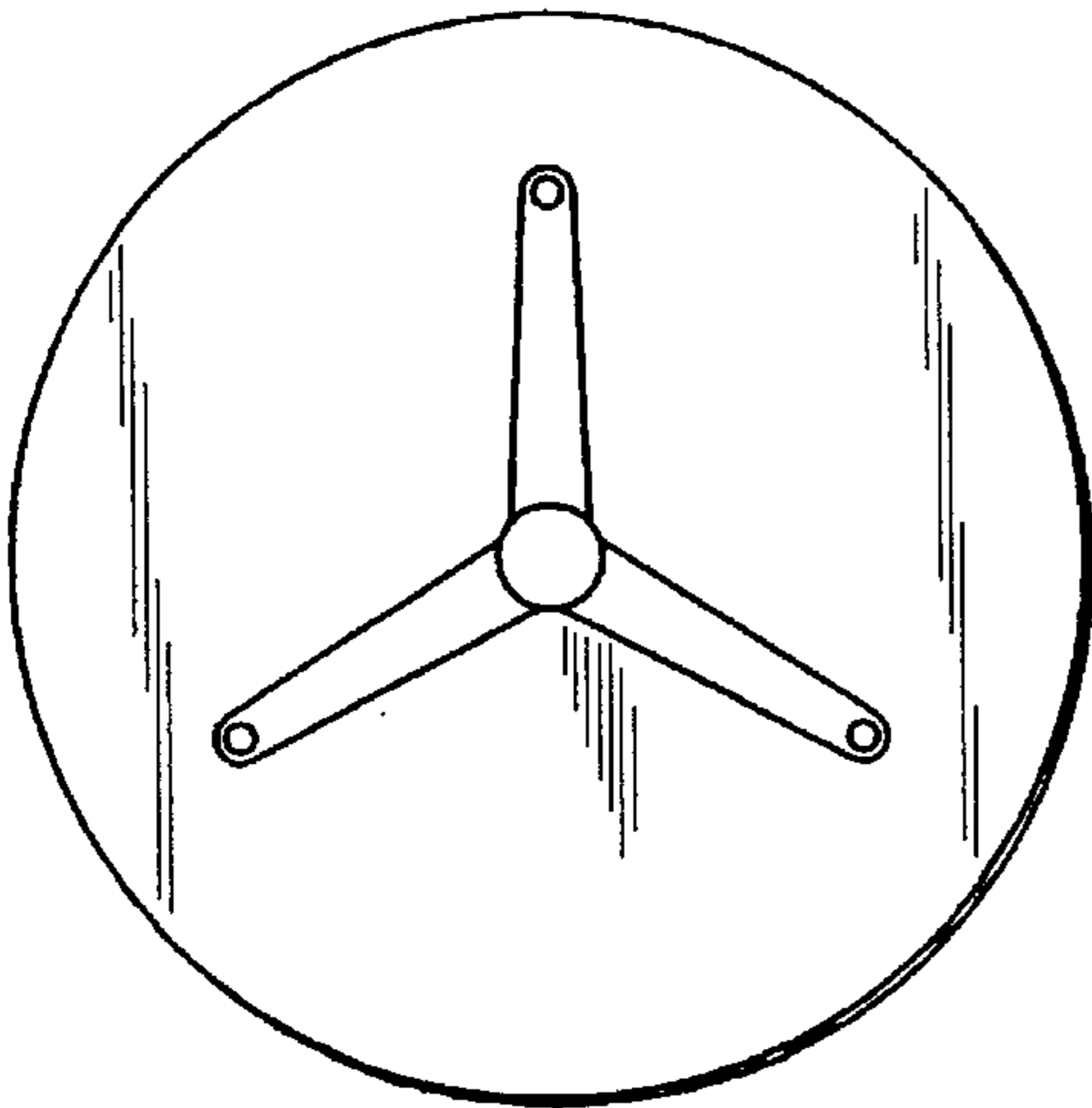


Fig. 3

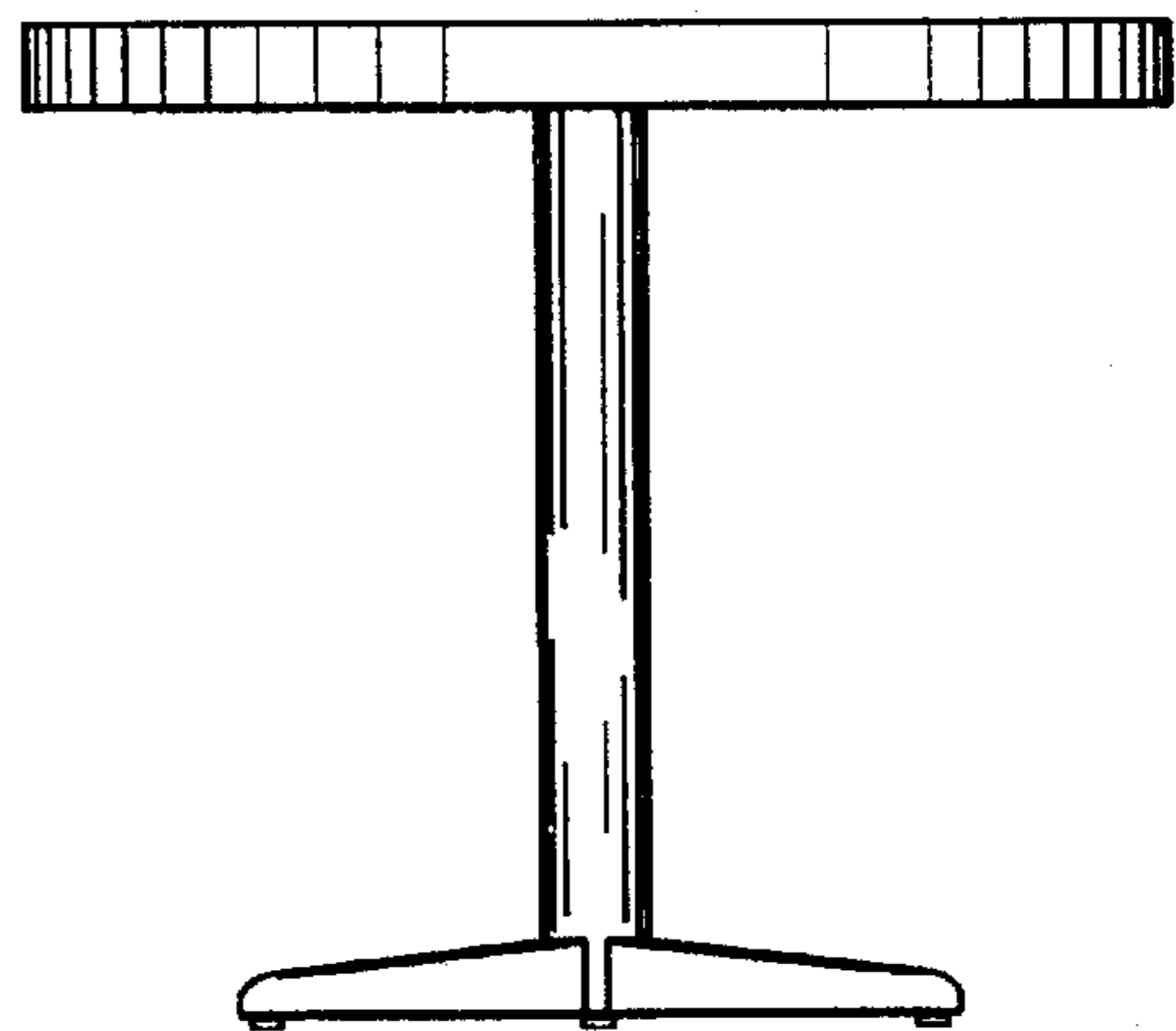


Fig. 4

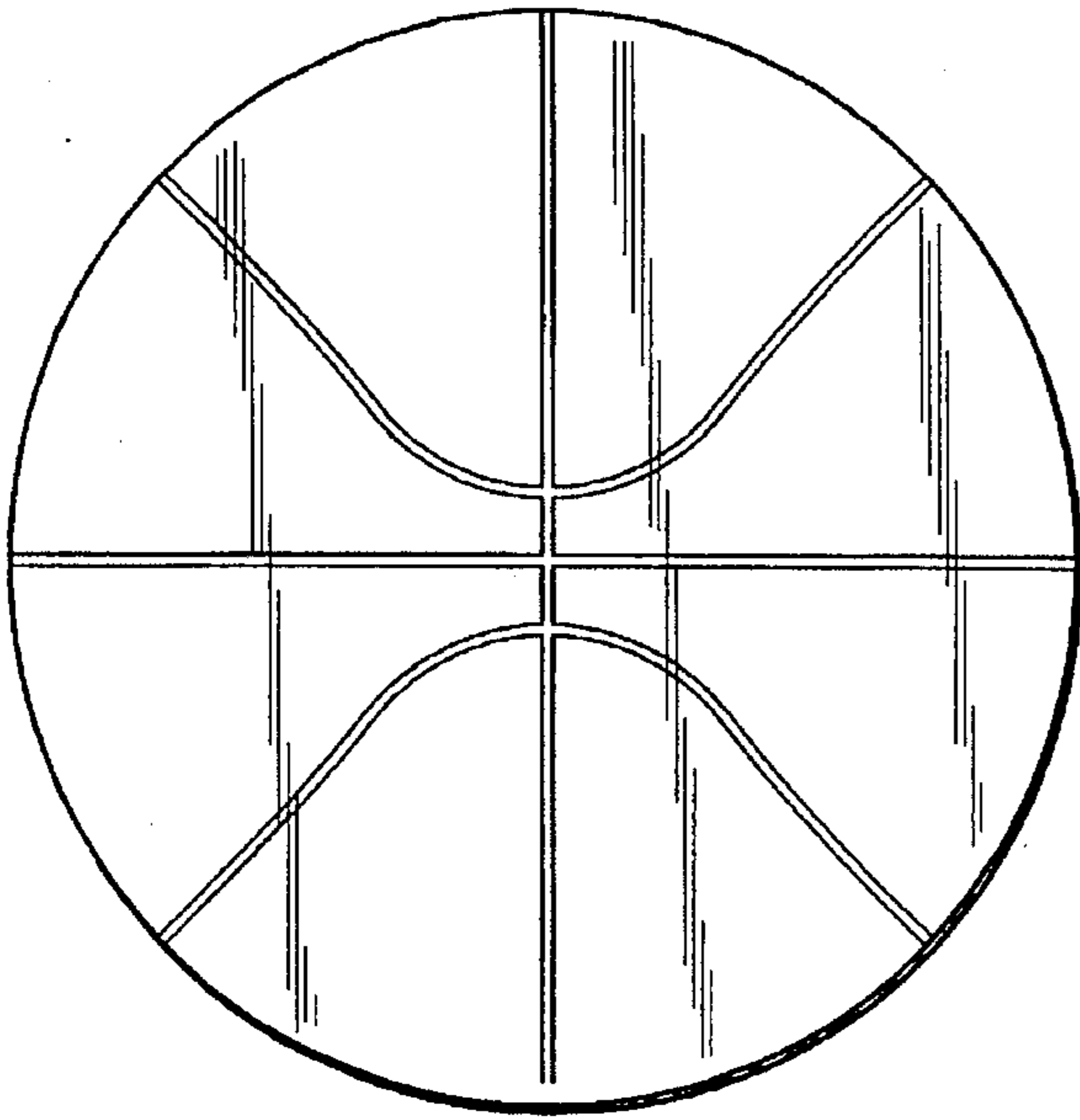


Fig. 5

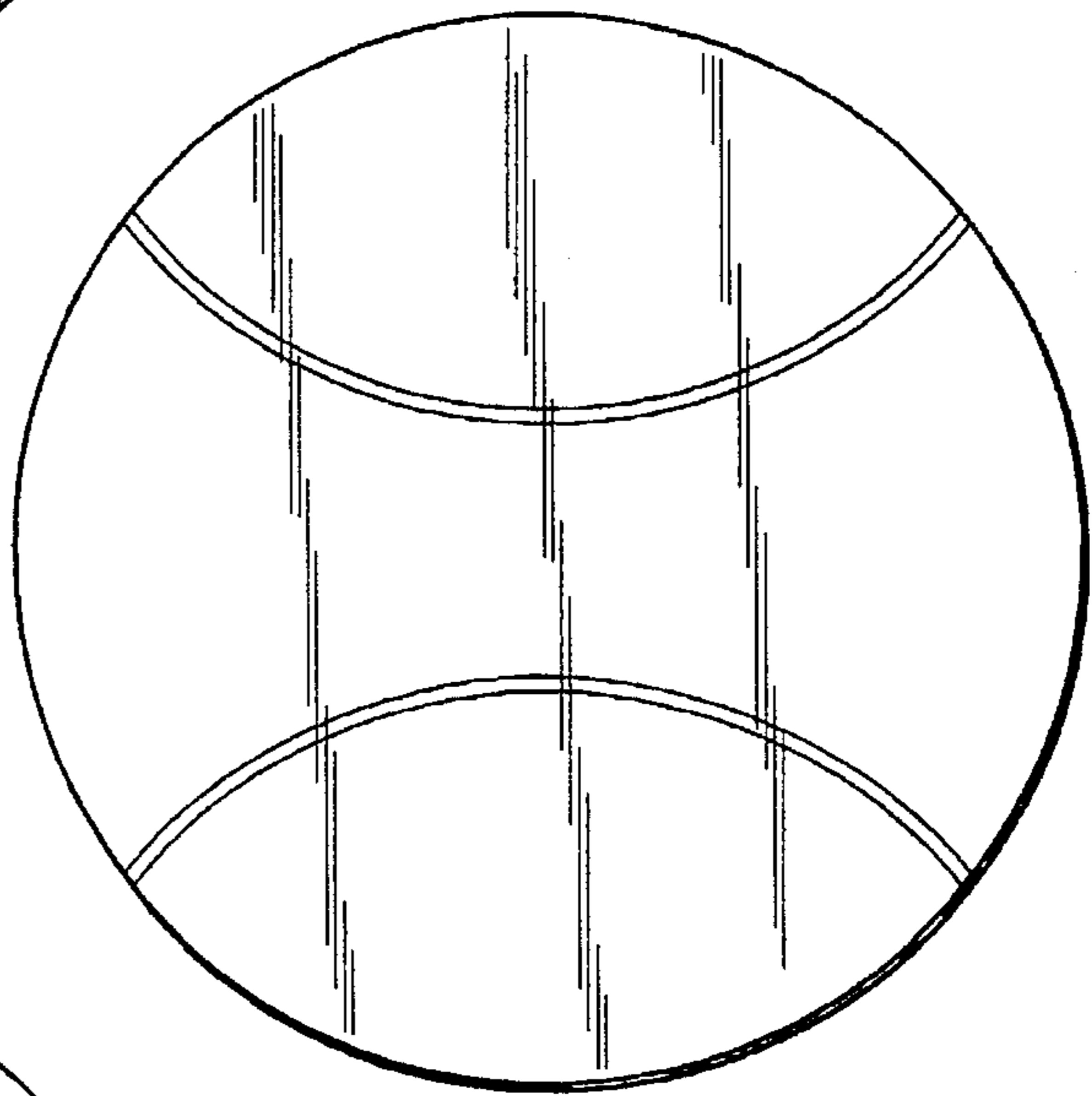


Fig. 6

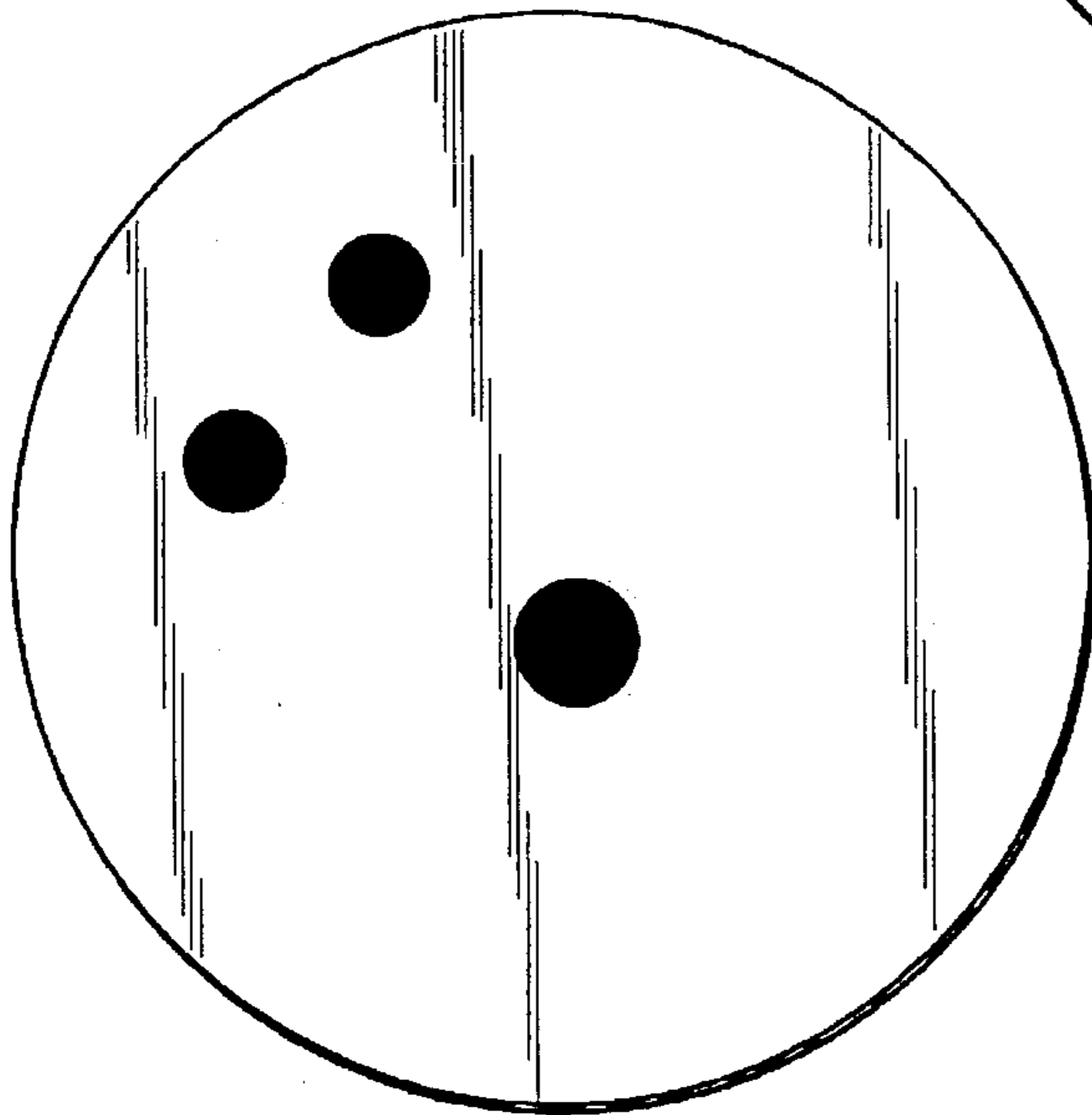


Fig. 7

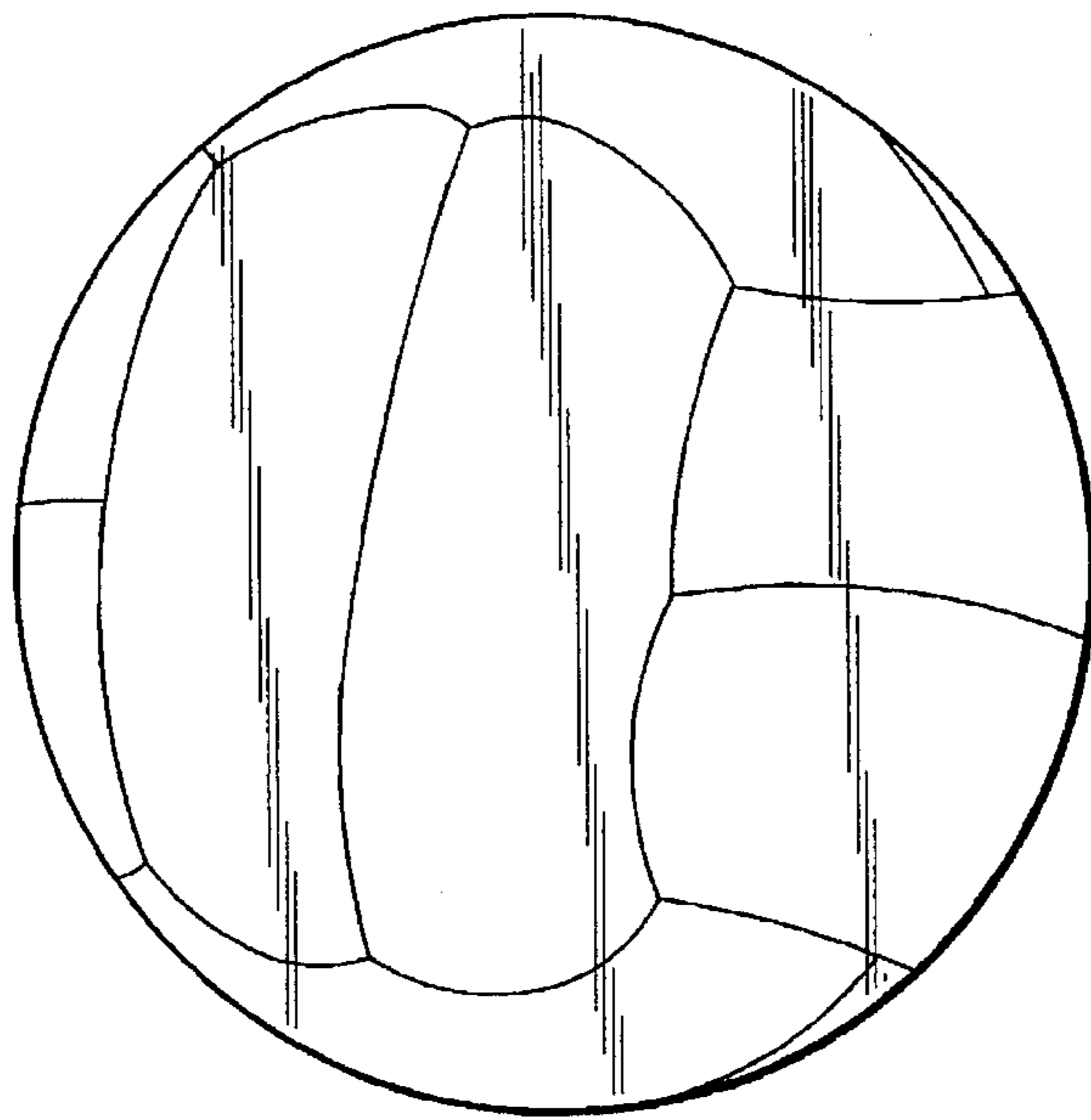


Fig. 8

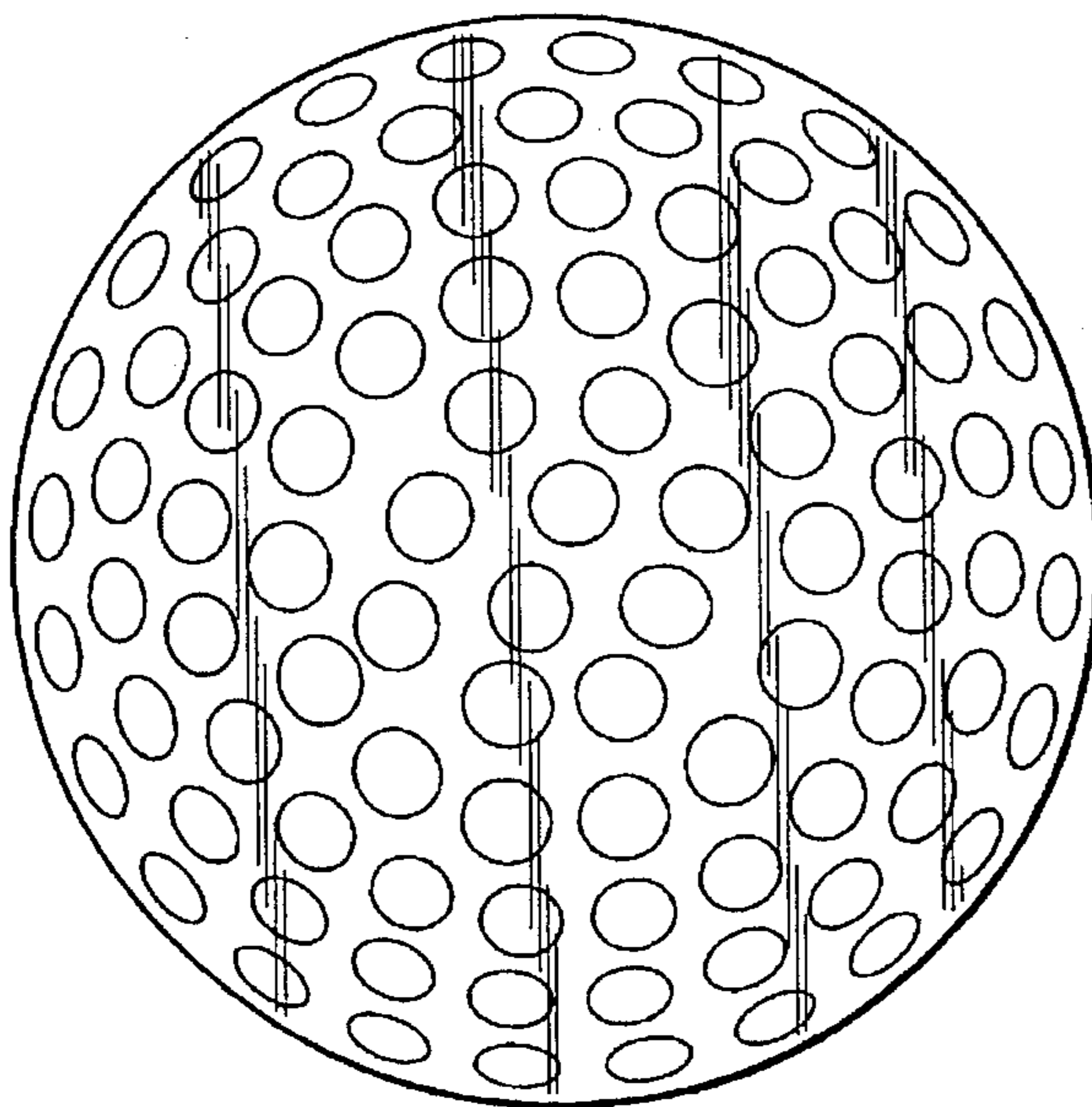


Fig. 9

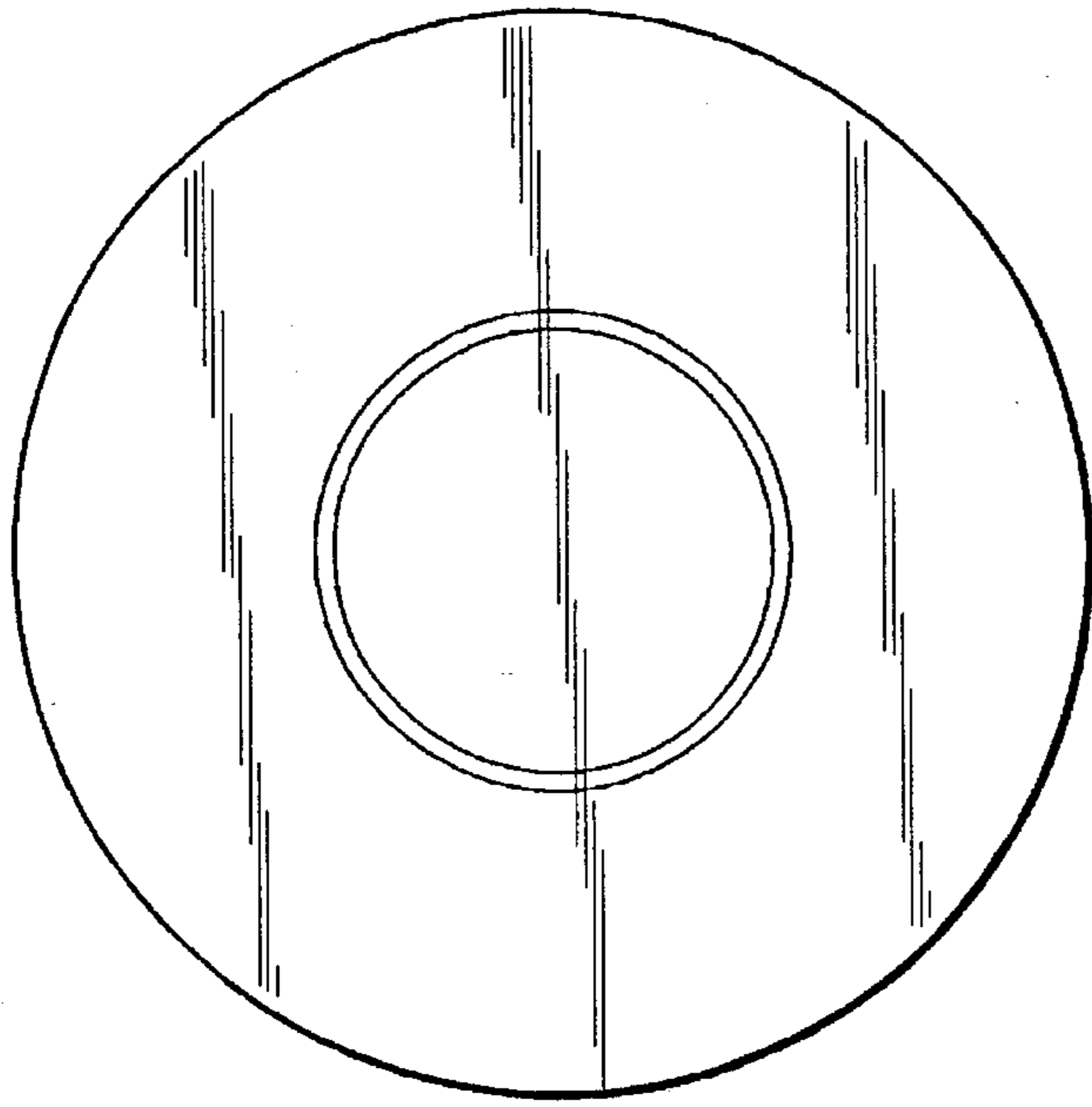


Fig. 10

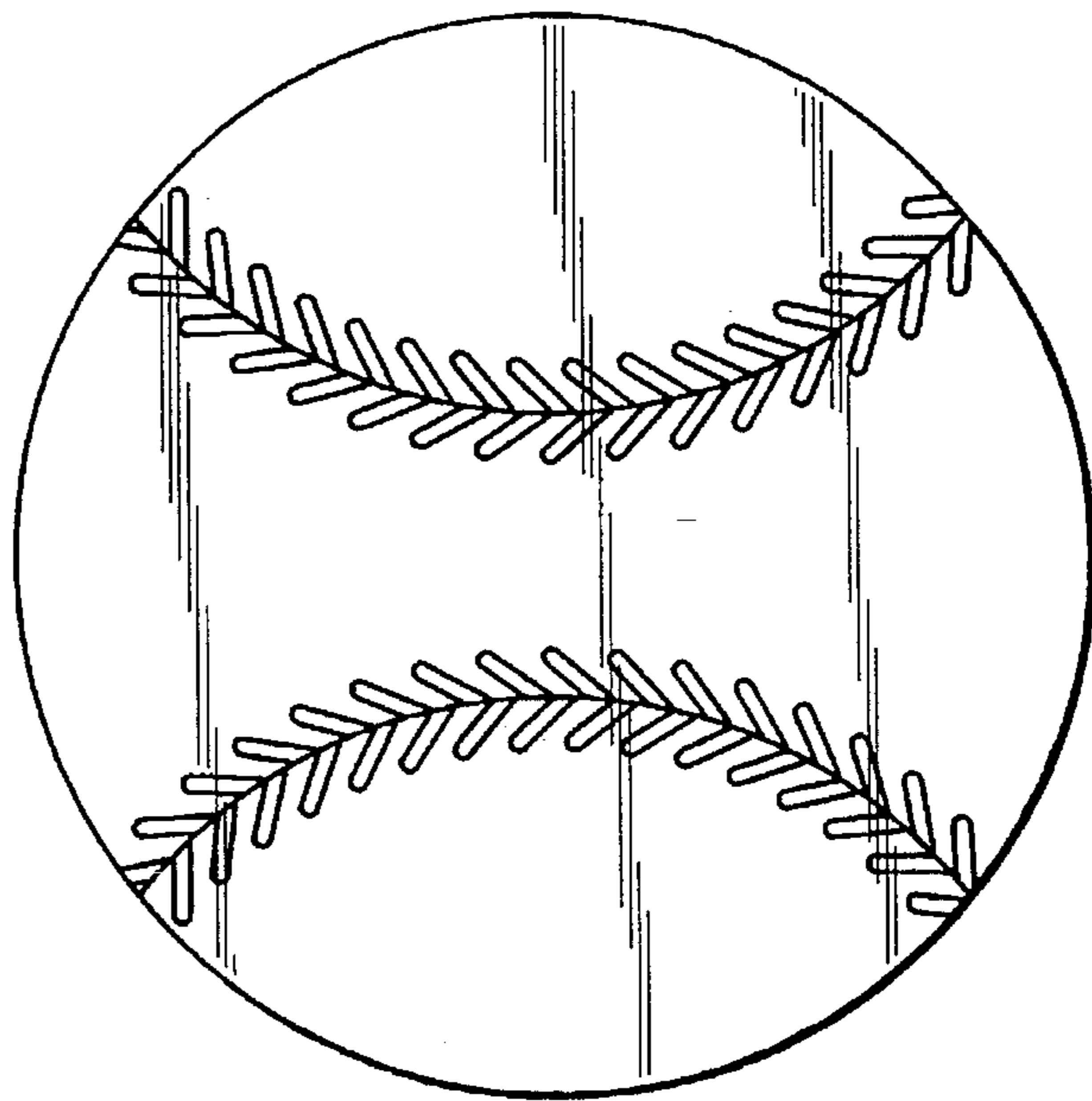


Fig. 11

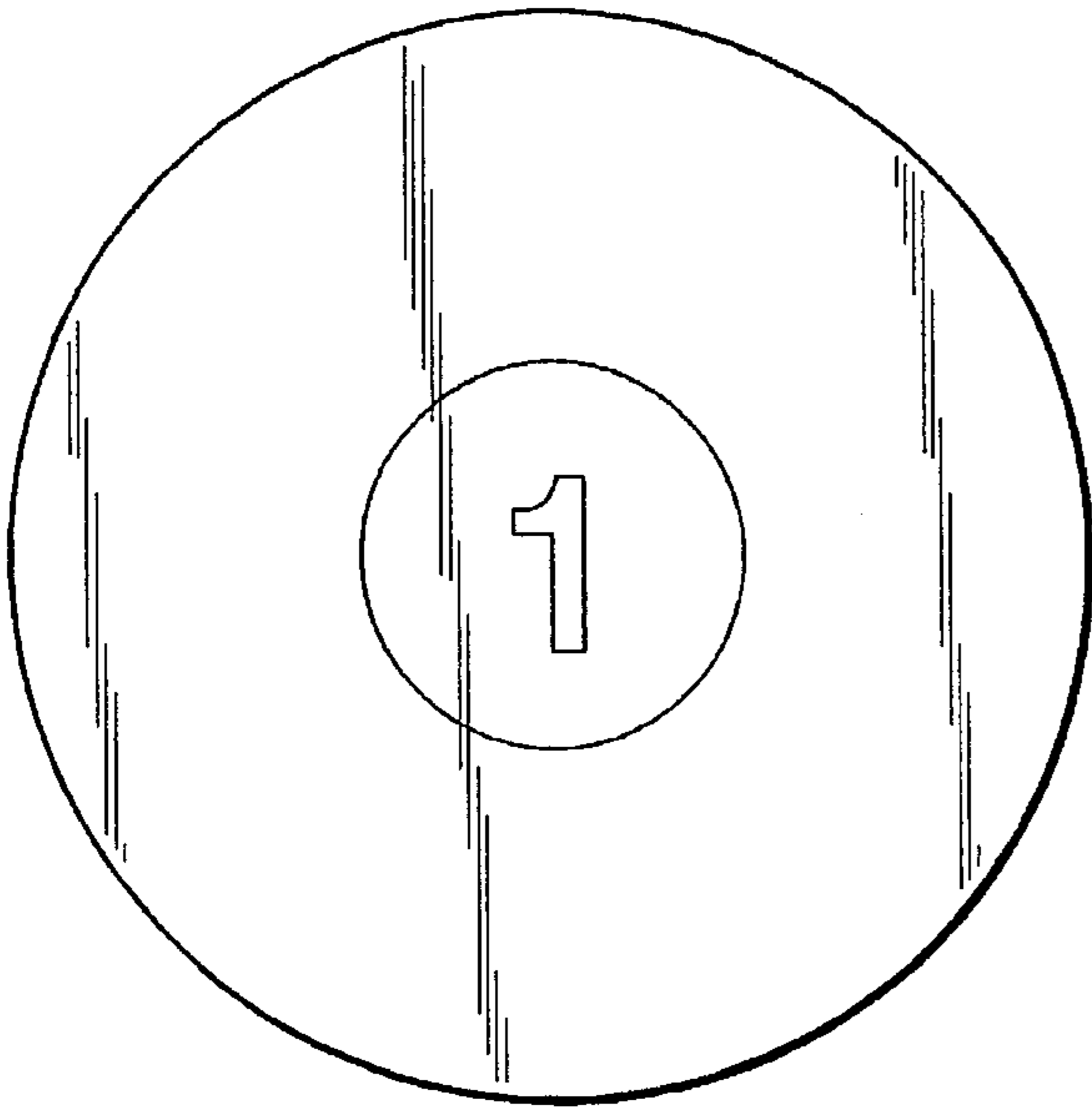


Fig. 12

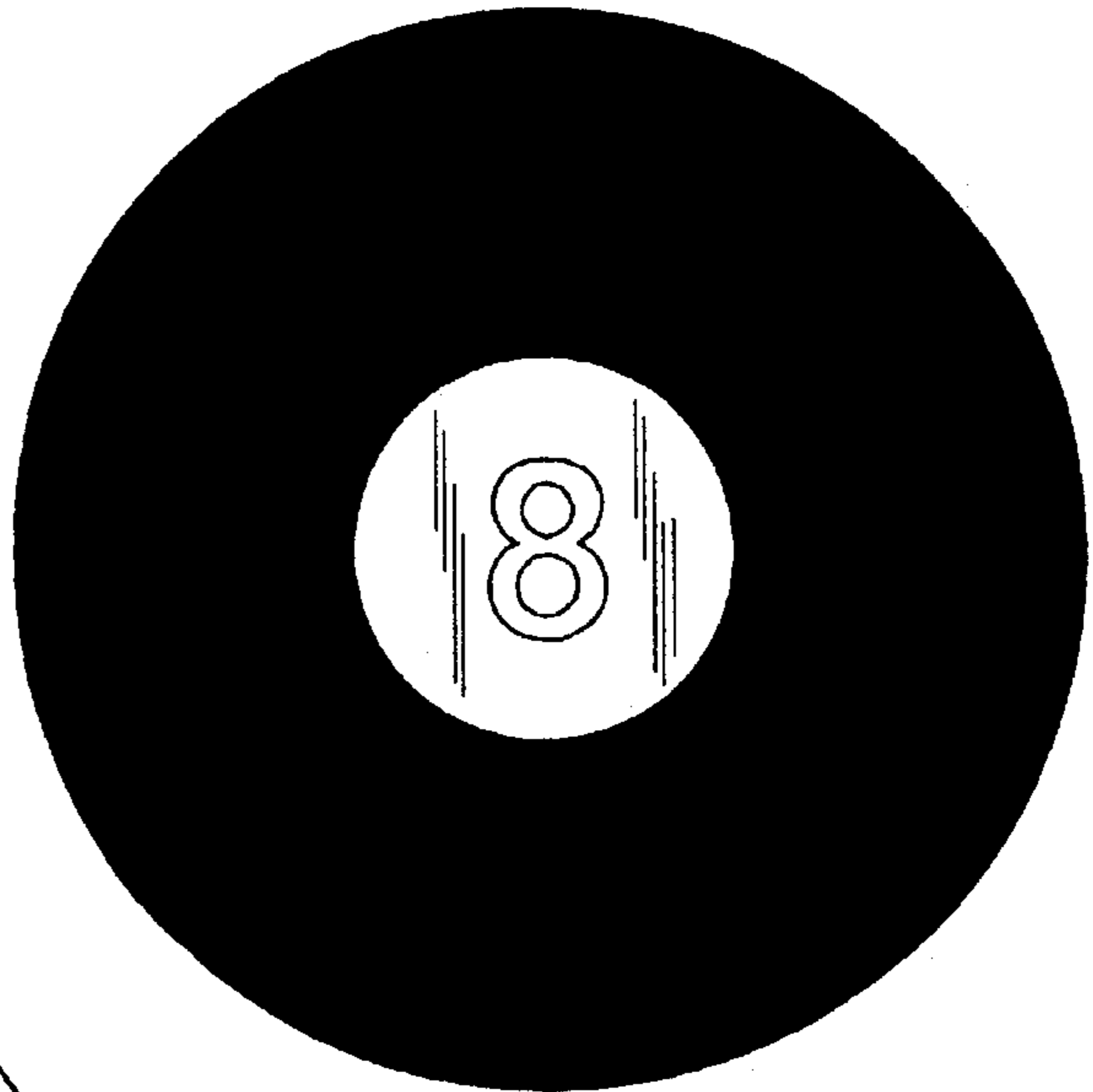


Fig. 13

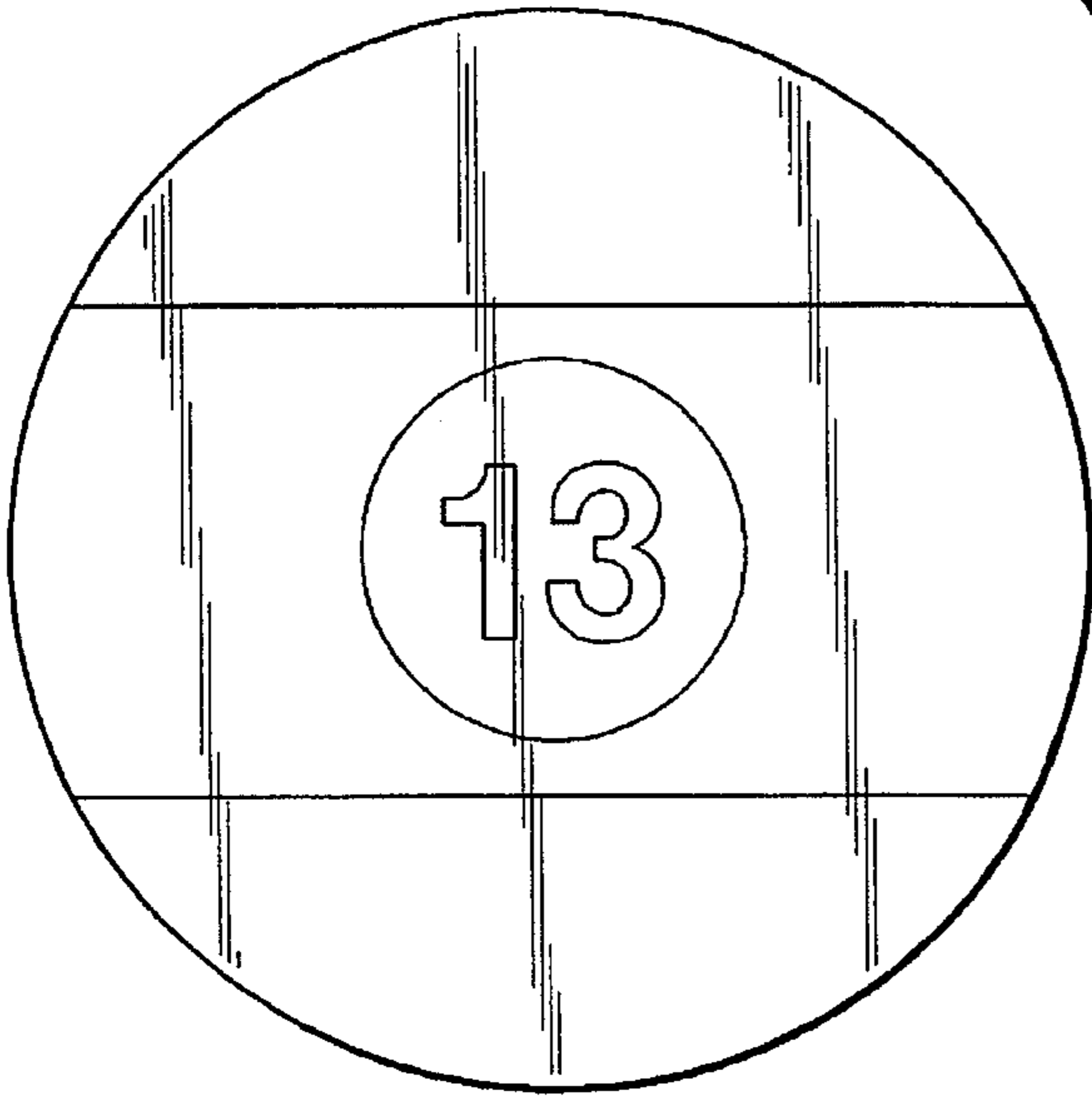


Fig. 14

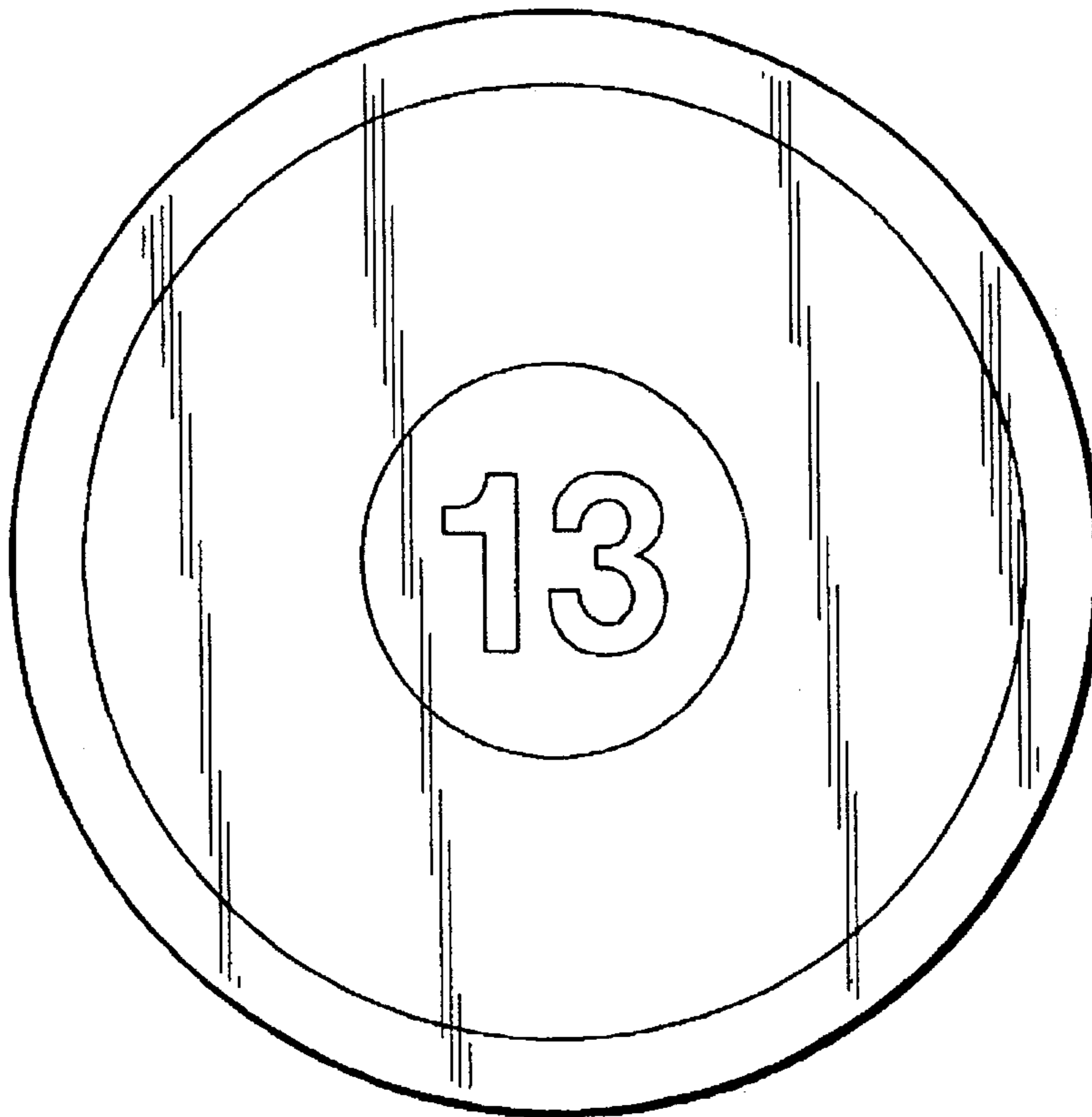


Fig. 15