



US00D375417S

United States Patent [19]

Bonaddio et al.

[11] Patent Number: **Des. 375,417**

[45] Date of Patent: *****Nov. 12, 1996**

[54] SEAT

[75] Inventors: **Vincenzo A. Bonaddio**, Rancho Santa Margarita; **Jose De Jesus Munoz Contreras**, Apple Valley, both of Calif.

[73] Assignee: **Foamex L.P.**, Linwood, Pa.

[*] Notice: The portion of the term of this patent subsequent to Feb. 20, 2010, has been disclaimed.

[**] Term: **14 Years**

[21] Appl. No.: **34,590**

[22] Filed: **Feb. 8, 1995**

[52] U.S. Cl. **D6/381**

[58] Field of Search D6/334, 335, 336, D6/361, 364, 371, 373, 374, 375, 381, 500, 501, 502; 297/232, 445

[56] References Cited

U.S. PATENT DOCUMENTS

D. 215,840	11/1969	Kukura	D6/336 X
D. 245,298	8/1977	Brahm	D6/334
D. 249,304	9/1978	Nash	D6/361

D. 252,486	7/1979	Petersilie	D6/381
D. 252,487	7/1979	Petersilie	D6/381
D. 274,576	7/1984	Tiffany	D6/335
D. 286,586	11/1986	Radford	D6/334
D. 335,035	4/1993	Floyd	D6/361
4,027,888	6/1977	Wilcox	D6/361 X
4,092,049	5/1978	Schoblom	D6/334 X

OTHER PUBLICATIONS

Interiors, Dec. 1969, p. 139, Chaise at top left.

Primary Examiner—Gary D. Watson

Attorney, Agent, or Firm—Natan Epstein

[57] CLAIM

The ornamental design for a seat, as shown and described.

DESCRIPTION

FIG. 1 is a front-right perspective view of the seat, showing our new design;

FIG. 2 is a right side view thereof;

FIG. 3 is a front view thereof;

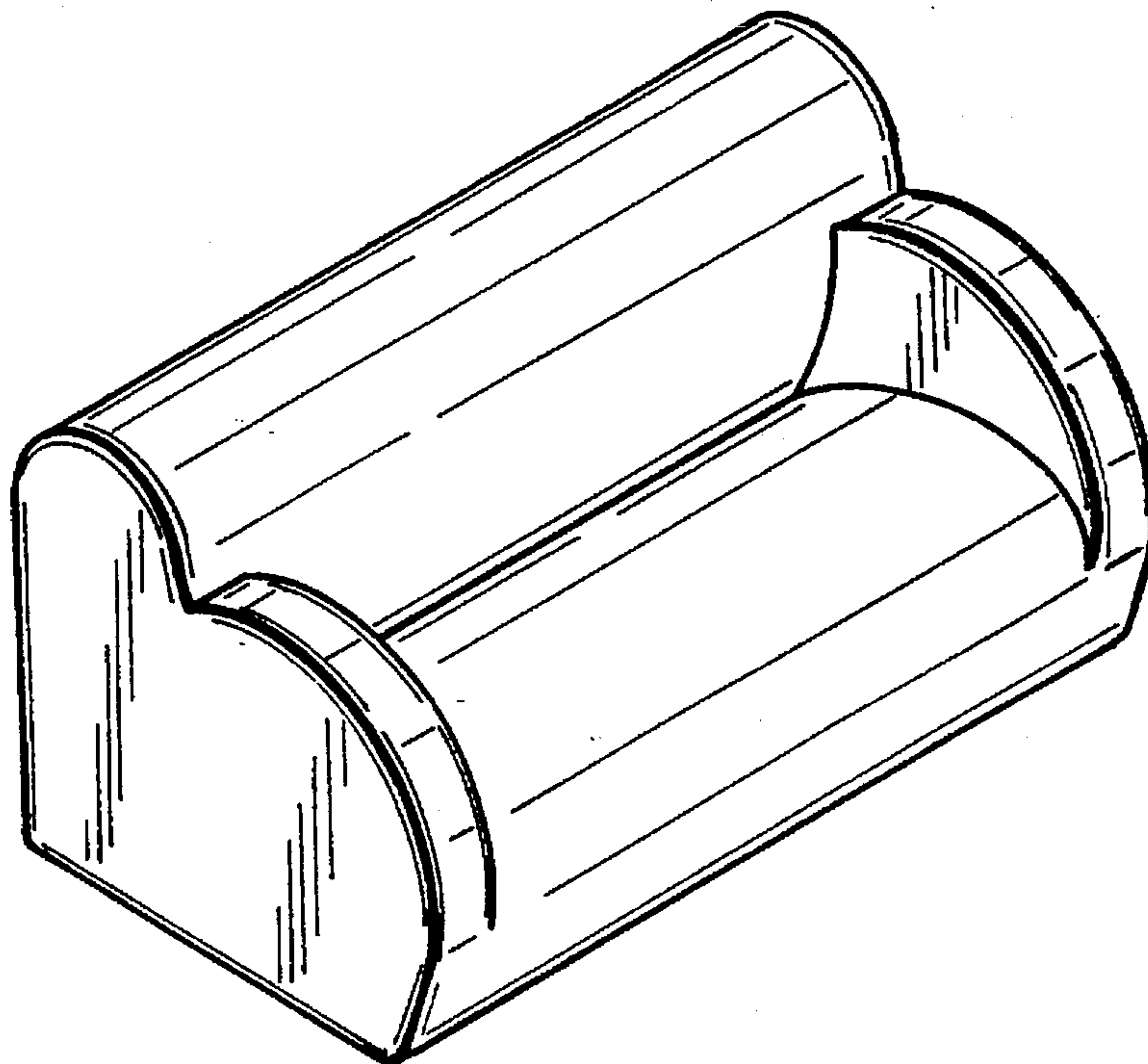
FIG. 4 is a top view thereof;

FIG. 5 is a left side view thereof;

FIG. 6 is a rear view thereof; and,

FIG. 7 is a bottom view thereof.

1 Claim, 1 Drawing Sheet



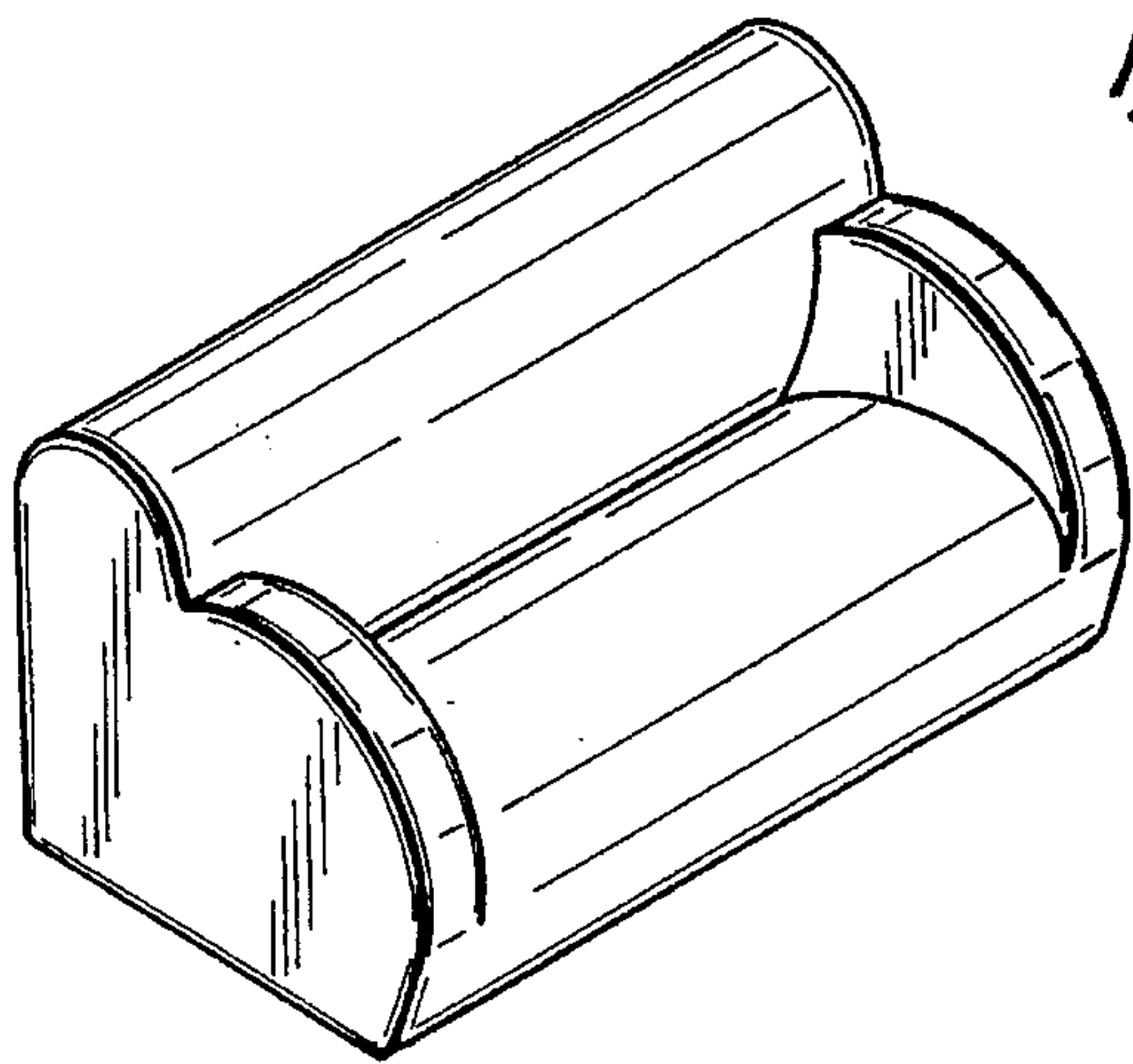


Fig. 1

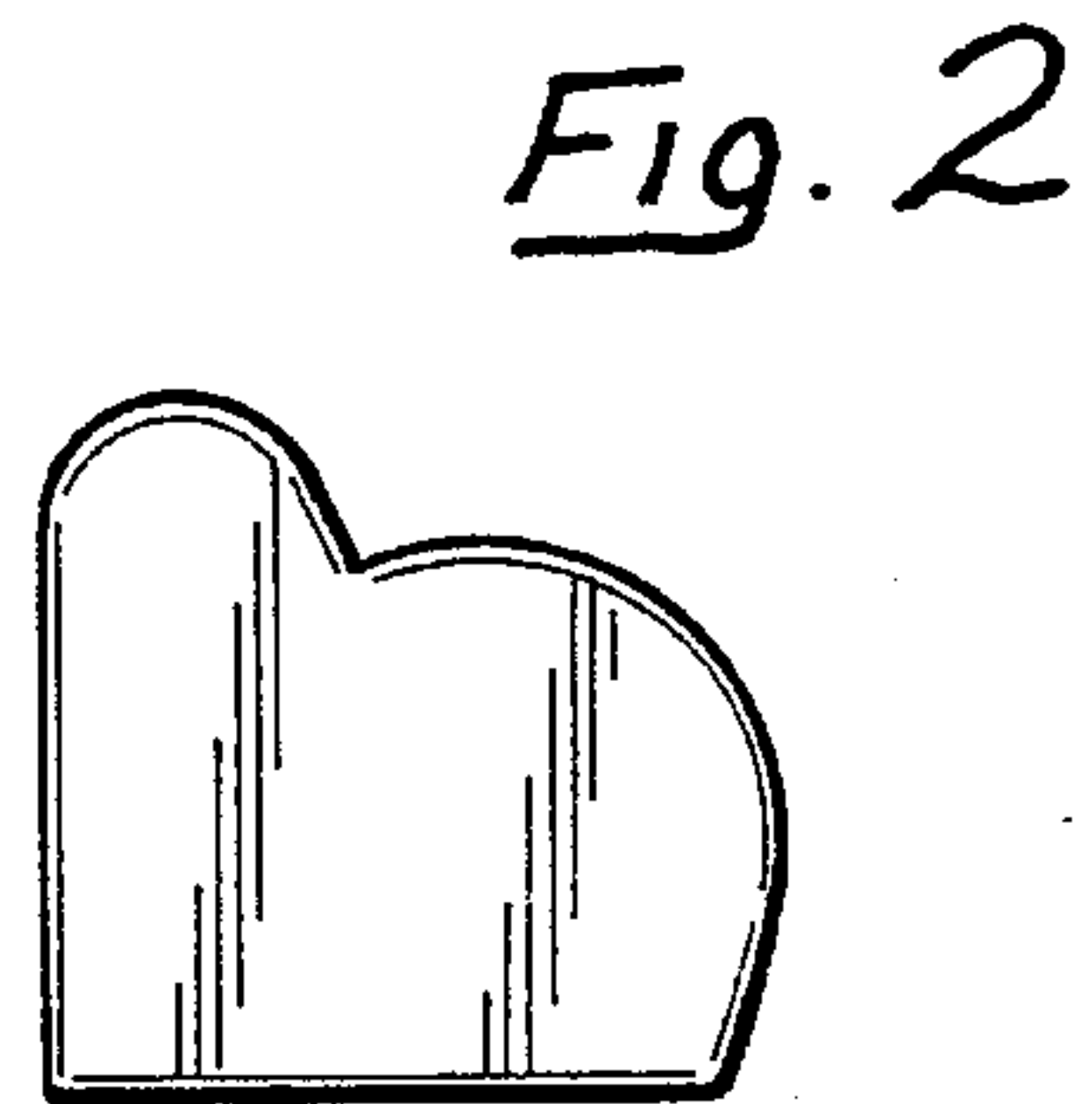


Fig. 2

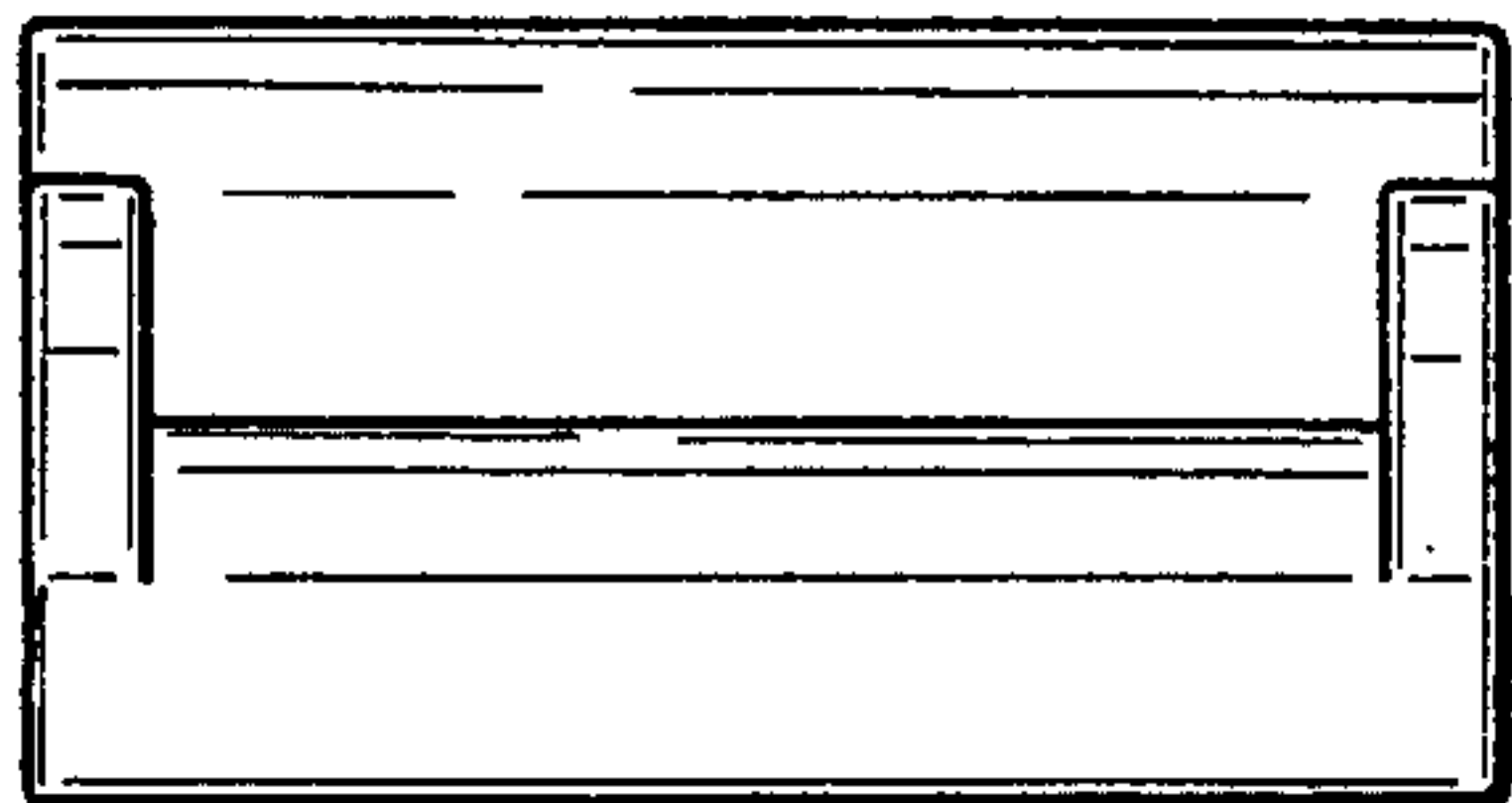


Fig. 3

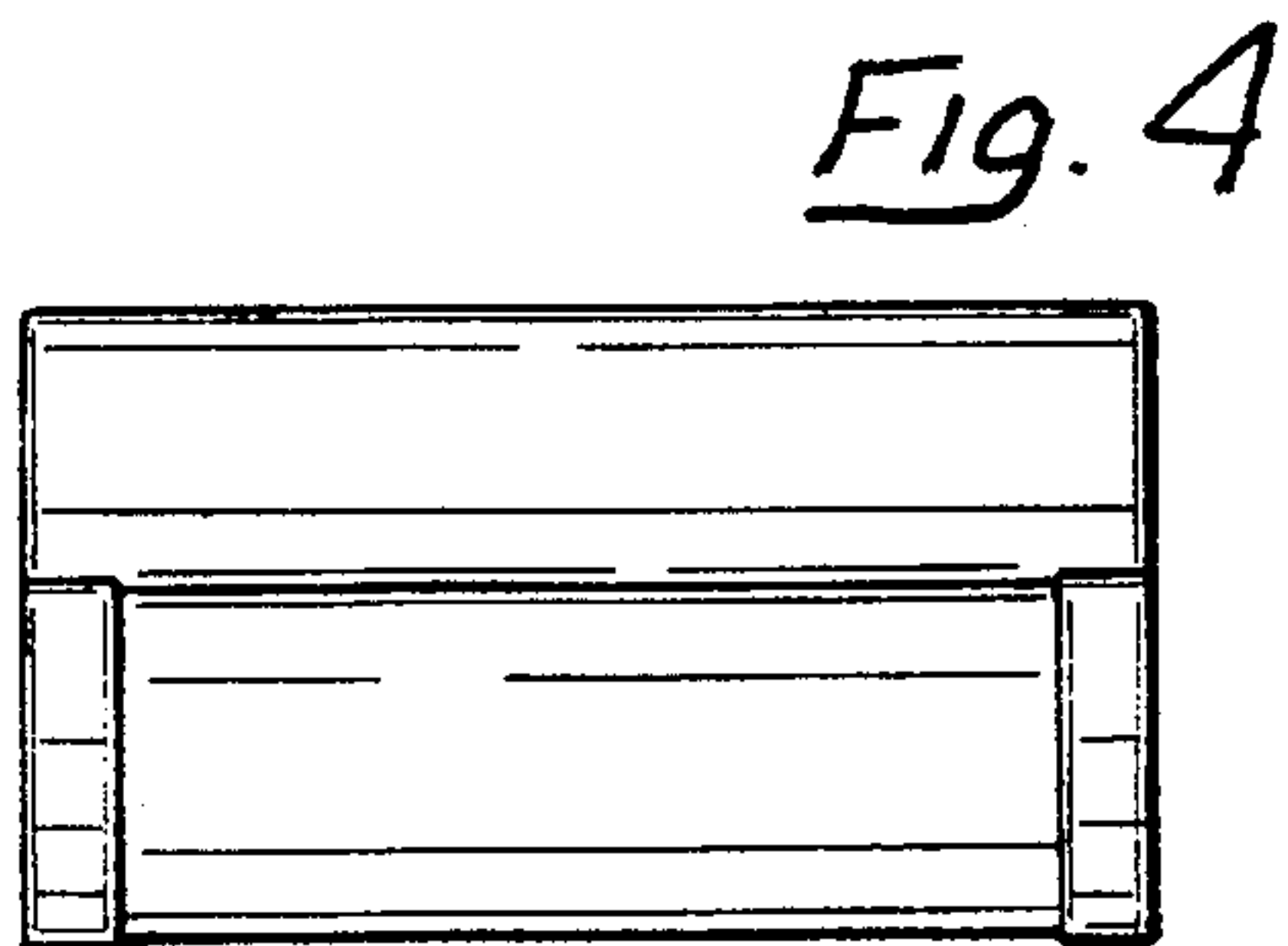


Fig. 4

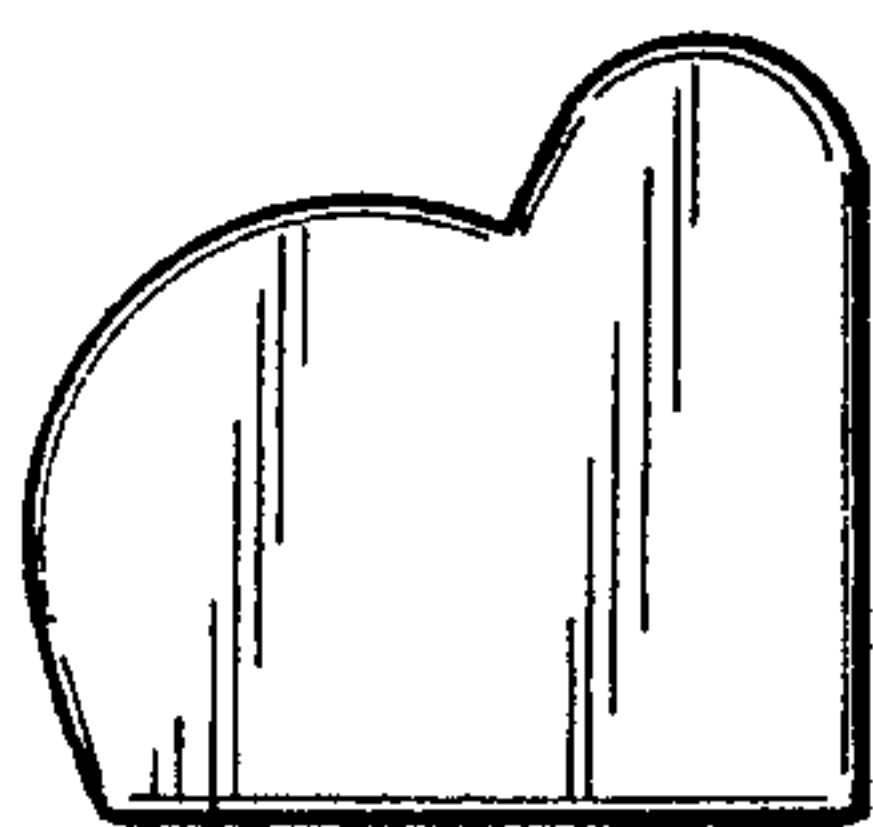


Fig. 5

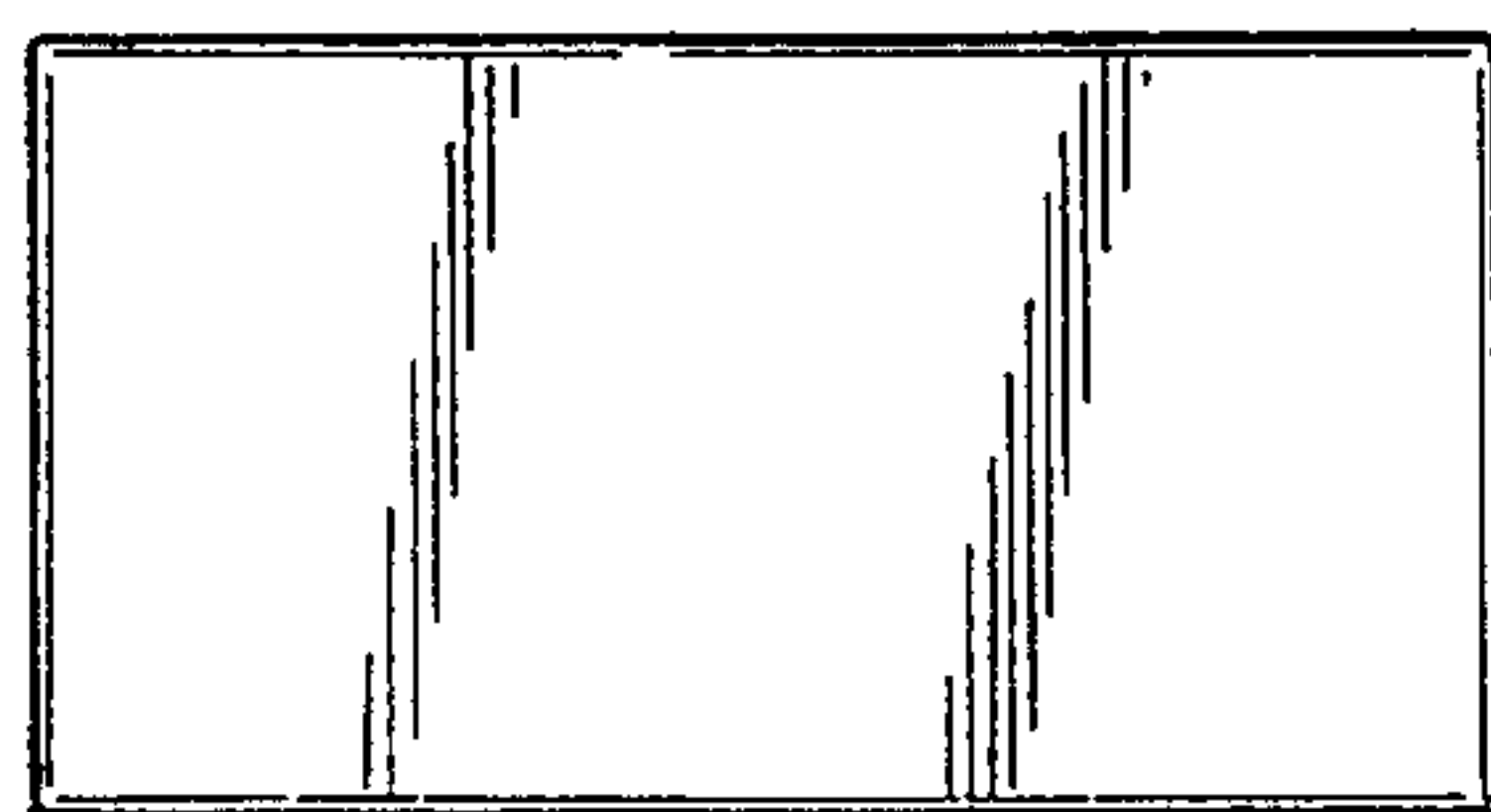


Fig. 6

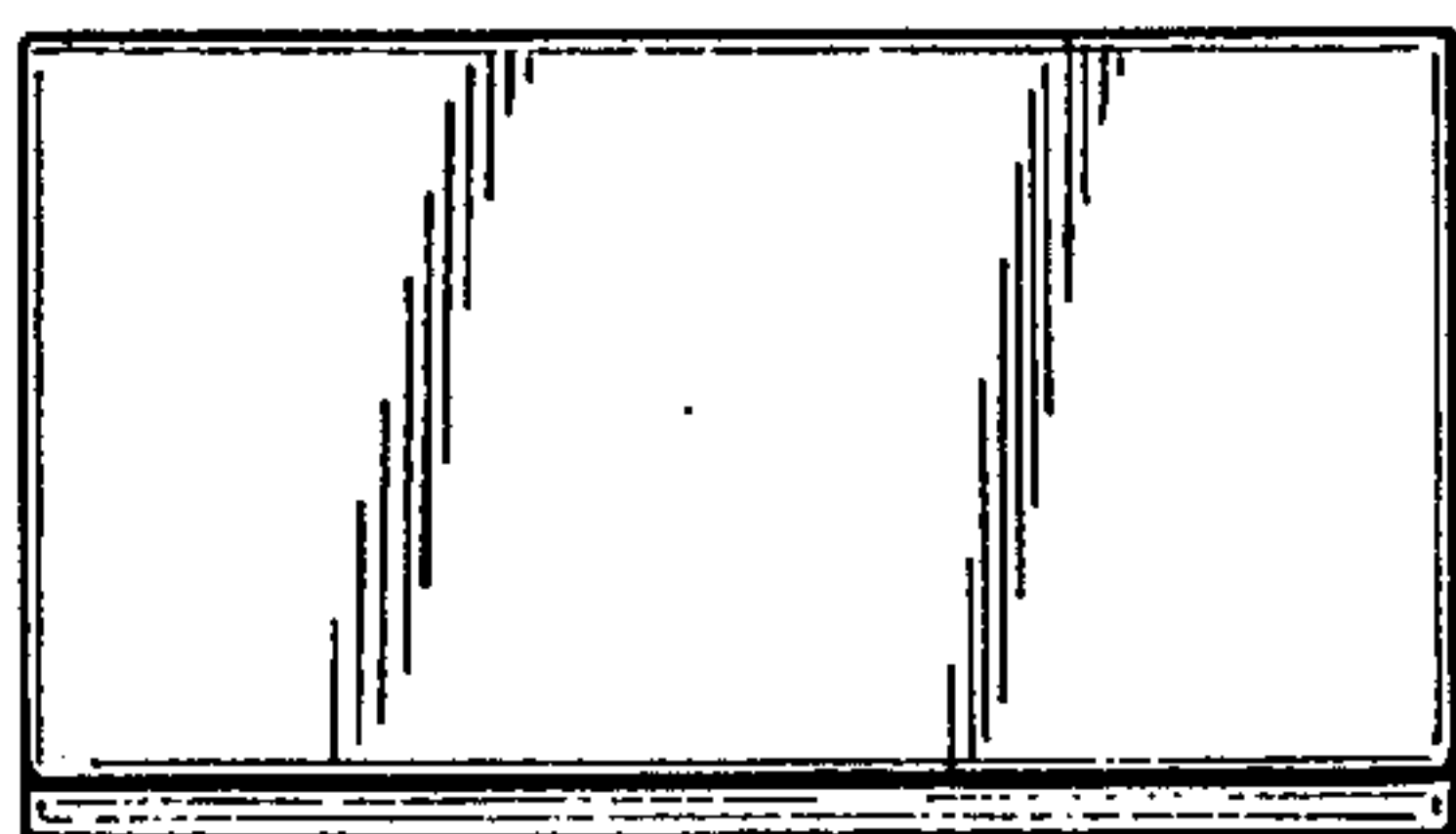


Fig. 7