



US00D375410S

# United States Patent [19]

[11] Patent Number: **Des. 375,410**

Wang

[45] Date of Patent: **\*\*Nov. 12, 1996**

[54] DISPLAY FRAME

4,529,278 7/1985 Nugent ..... 359/870

[76] Inventor: **Johnny Wang**, P.O. Box 82-144,  
Taipei, Taiwan

*Primary Examiner*—Janice E. Seeger  
*Attorney, Agent, or Firm*—Alfred Lei

[\*\*] Term: **14 Years**

## [57] CLAIM

[21] Appl. No.: **51,088**

The ornamental design for a display frame, as shown and described.

[22] Filed: **Mar. 4, 1996**

## DESCRIPTION

[52] U.S. Cl. .... **D6/300**

[58] Field of Search ..... D6/300-314; D20/10,  
D20/40; 40/700, 714, 722, 724, 725, 765,  
780, 790, 798

FIG. 1 is a perspective view of a display frame showing my new design;

FIG. 2 is a front view thereof;

FIG. 3 is a rear view thereof;

FIG. 4 is a right side elevational view thereof;

FIG. 5 is a left side elevational view thereof;

FIG. 6 is a top plan view thereof; and,

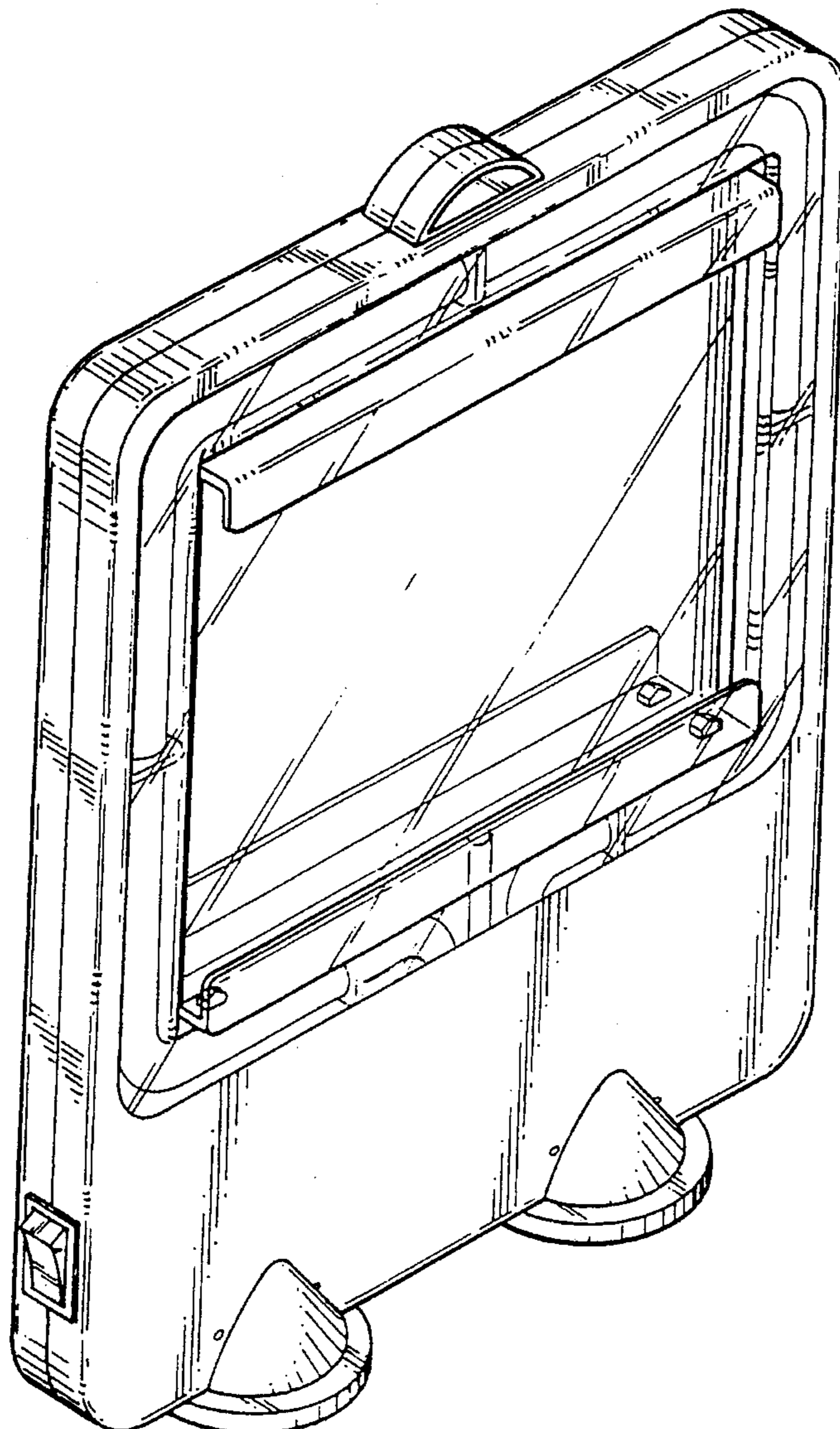
FIG. 7 is a bottom plan view thereof.

## [56] References Cited

### U.S. PATENT DOCUMENTS

D. 181,150	10/1957	Horn	.....	D6/300
D. 304,884	12/1989	Ackeret	.....	D6/311
D. 307,677	5/1990	Tontarelli	.....	D6/311
D. 321,361	11/1991	Iino	.....	D16/235

**1 Claim, 5 Drawing Sheets**



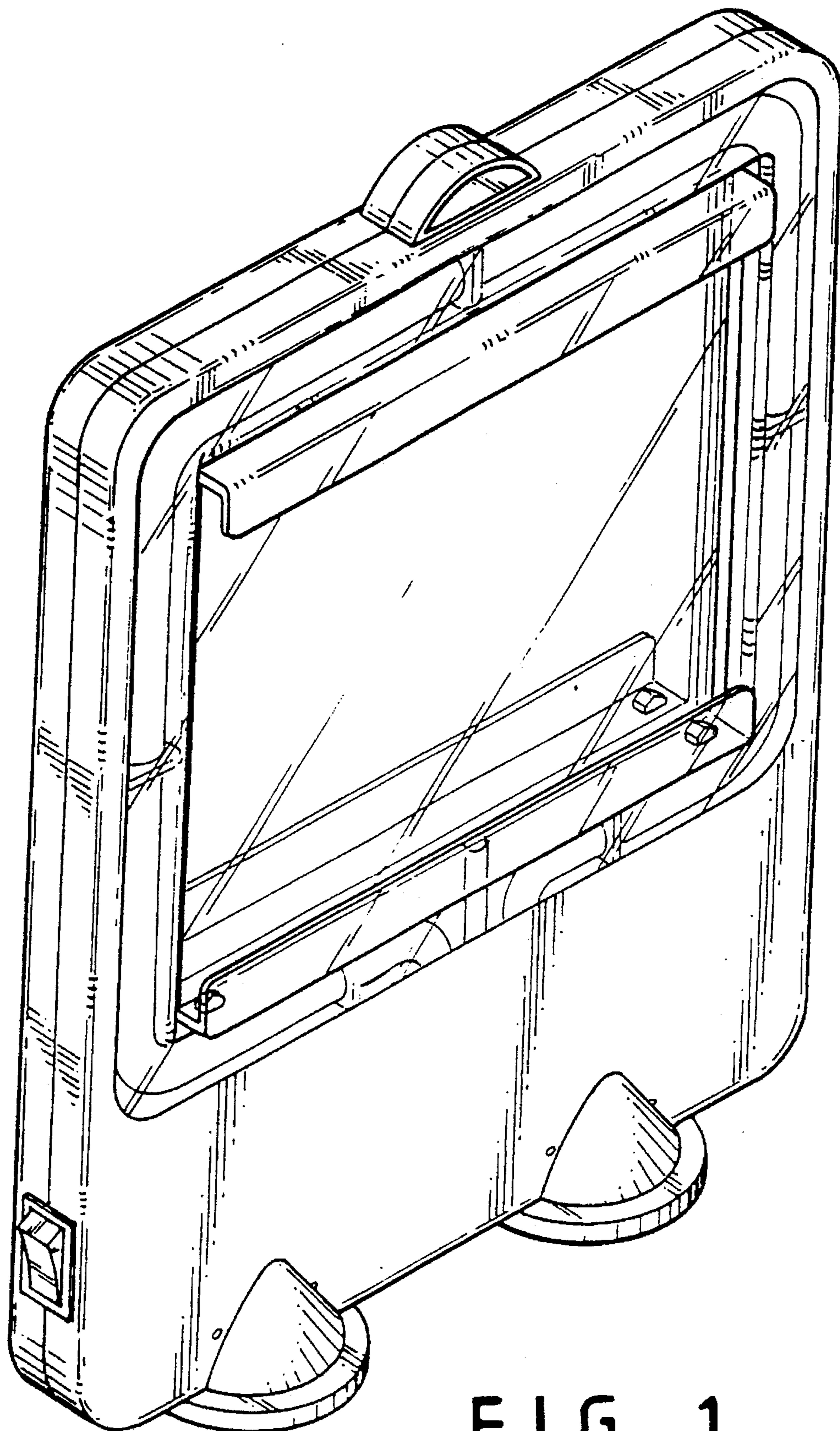


FIG. 1

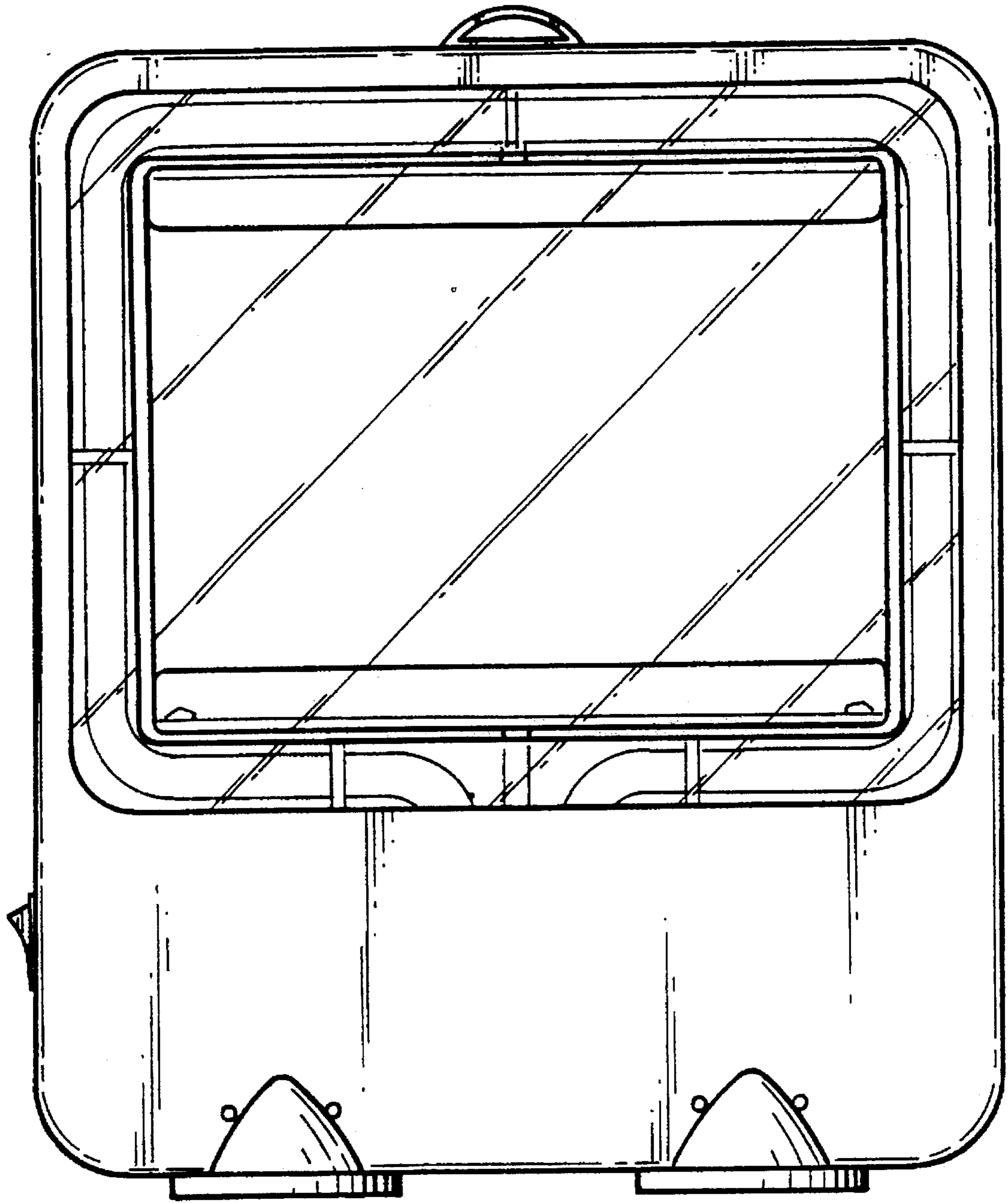


FIG. 2

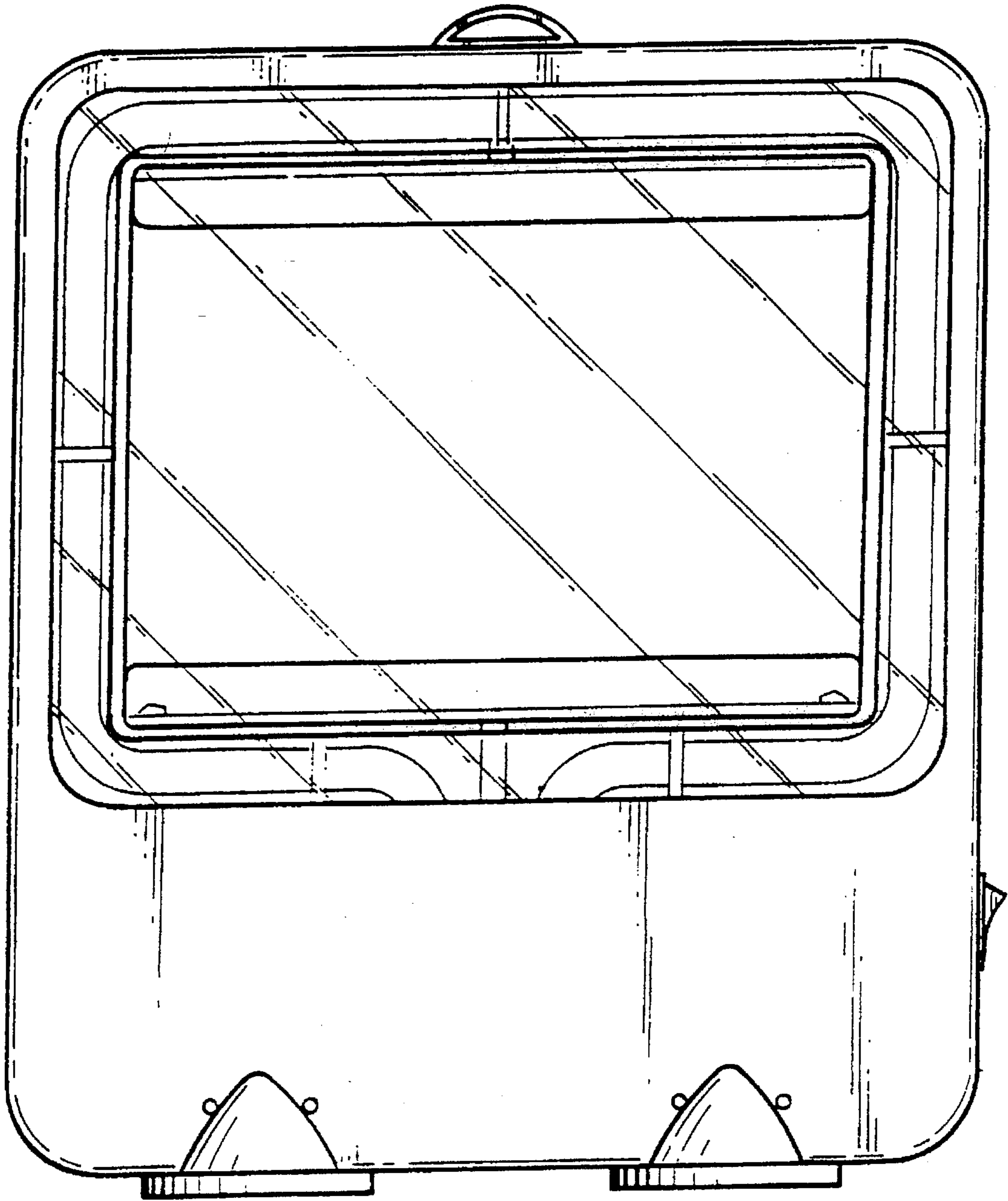


FIG. 3

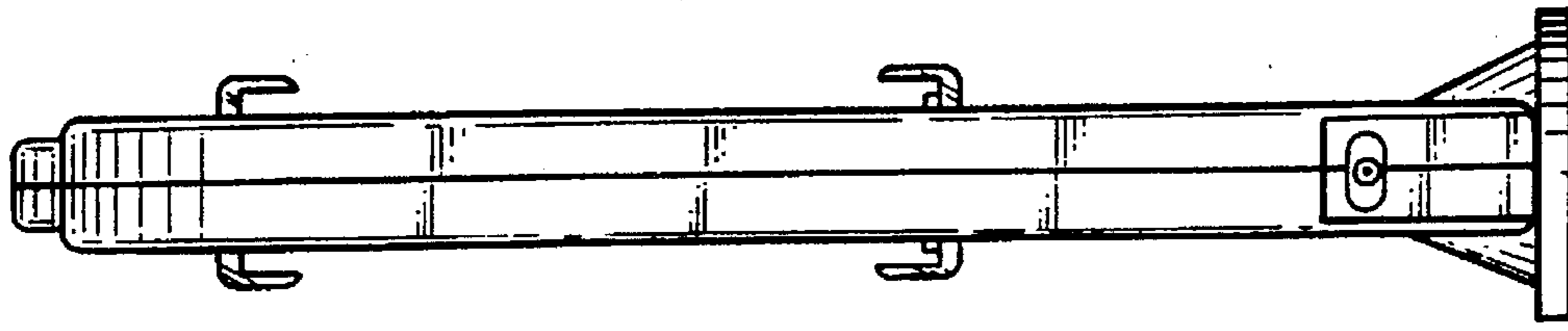


FIG. 5

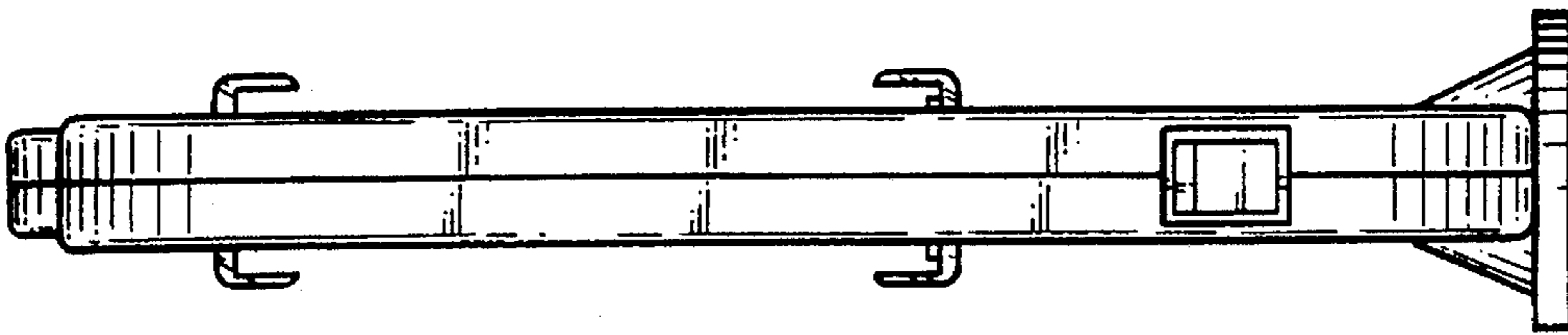


FIG. 4

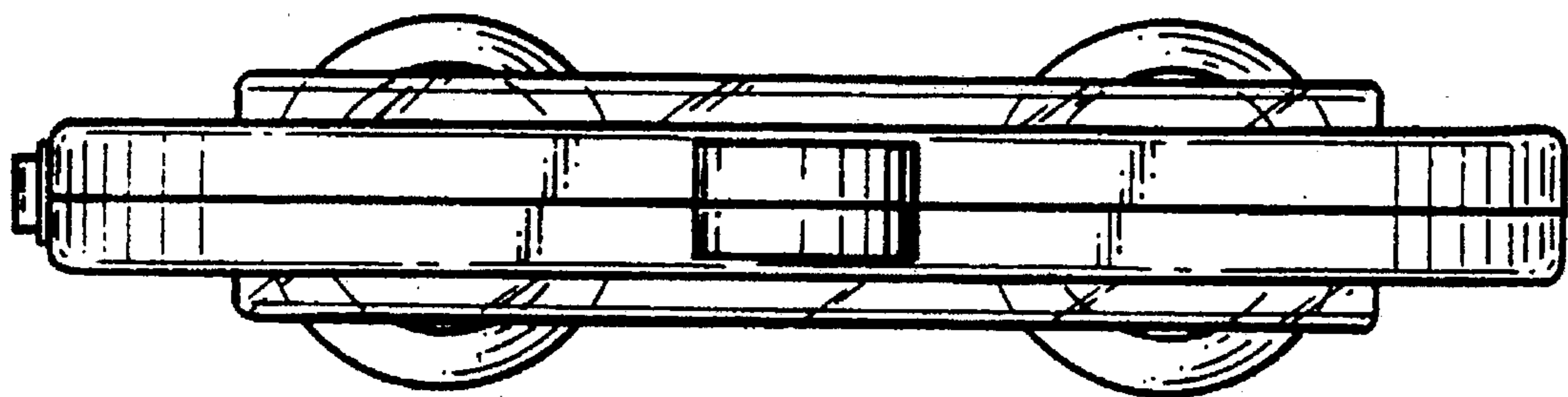


FIG. 6

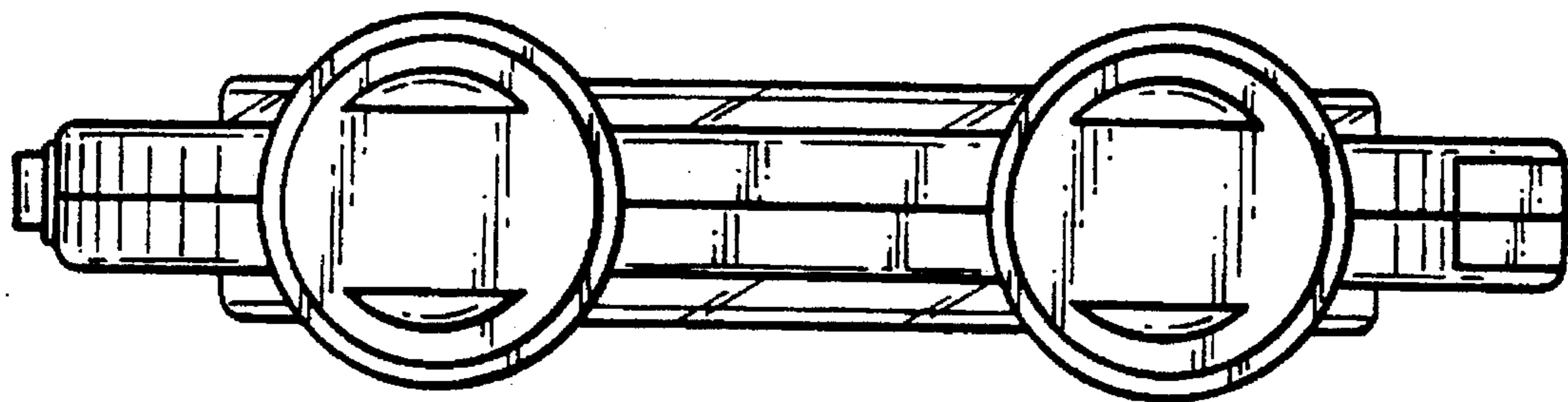


FIG. 7