



US00D375409S

United States Patent [19]

Uranga et al.

[11] Patent Number: **Des. 375,409**

[45] Date of Patent: ****Nov. 12, 1996**

[54] **BROOM**

[76] Inventors: **Edward Uranga; Ruben Uranga, Jr.**,
both of 4342 Glenmuir Ave., Los
Angeles, Calif. 90065

[**] Term: **14 Years**

[21] Appl. No.: **38,153**

[22] Filed: **Apr. 12, 1995**

Related U.S. Application Data

[63] Continuation-in-part of Ser. No. 26,916, Aug. 9, 1994.

[52] U.S. Cl. **D4/132; D32/51**

[58] Field of Search D32/40, 50, 51,
D32/52; 15/111, 171, 172, 117, 159.1, 143.1,
144.1, 159.1, 160, 146, 175; D4/116, 135,
130, 131, 132

References Cited

U.S. PATENT DOCUMENTS

D. 277,524	2/1985	Feibick	D4/130 X
D. 278,099	3/1985	Evans	D4/130 X
D. 307,517	5/1990	Mallory et al.	D32/50 X
913,304	2/1909	Petersen .	
1,277,230	8/1918	Lohstroh .	
1,335,116	3/1920	Johanson .	
1,525,438	2/1925	Boone .	

2,044,595	6/1936	Schumann .	
2,090,412	8/1937	Geiger	15/111
2,112,297	3/1938	McGoldrick .	
2,648,860	8/1953	Febrvre .	
2,666,221	1/1954	Stepper .	
2,922,179	1/1960	Lundgren	15/146
3,108,306	10/1963	McWilliams	15/171
3,340,557	9/1967	Rosenzweig .	
3,619,845	11/1971	Partridge et al.	15/117
3,783,468	1/1974	Saloutos .	
3,795,933	3/1974	Seufert	15/144.1 X
4,239,413	12/1980	Wludyka	15/175 X
5,414,889	5/1995	Sarton	15/172 X

Primary Examiner—Susan J. Lucas

Assistant Examiner—Cynthia E. Ramirez

Attorney, Agent, or Firm—Fulwider Patton Lee & Utecht

[57] CLAIM

The ornamental design for a broom, as shown and described.

DESCRIPTION

FIG. 1 is a front perspective view of a broom embodying our new design;

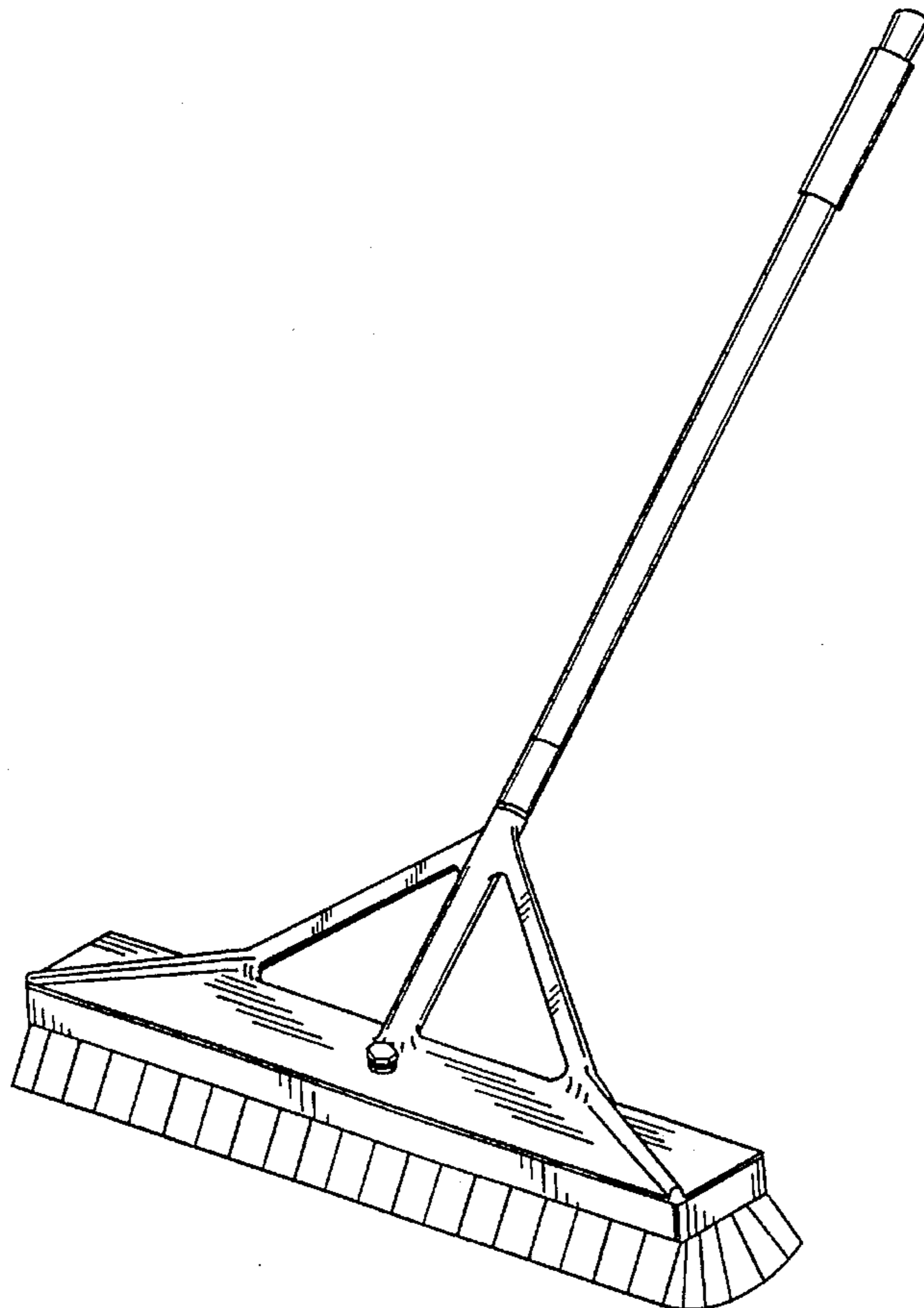
FIG. 2 is a rear perspective view of the broom as shown in FIG. 1;

FIG. 3 is a right side elevational view thereof;

FIG. 4 is a top plan view thereof; and,

FIG. 5 is a bottom perspective view thereof.

1 Claim, 5 Drawing Sheets



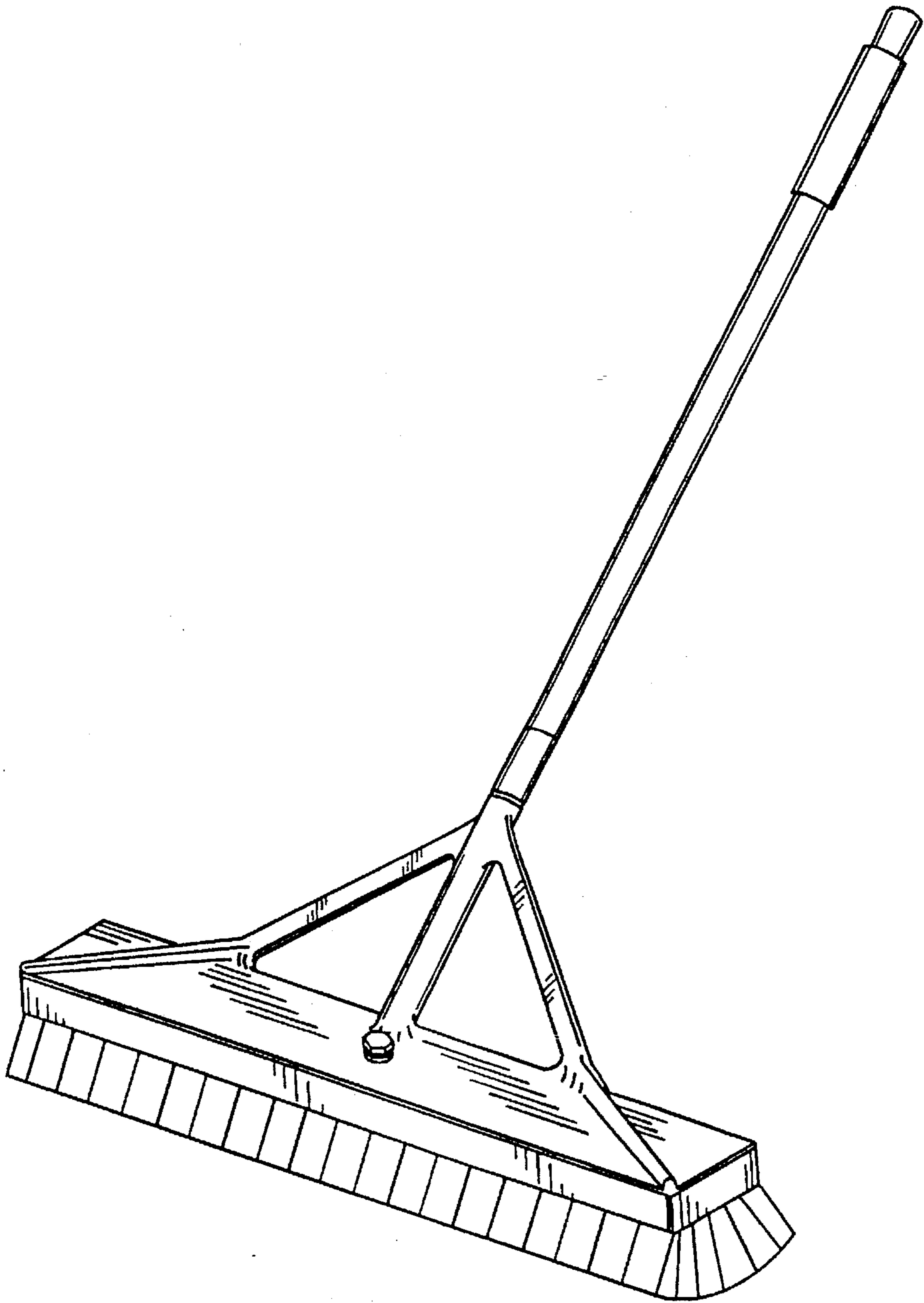


FIG. 1

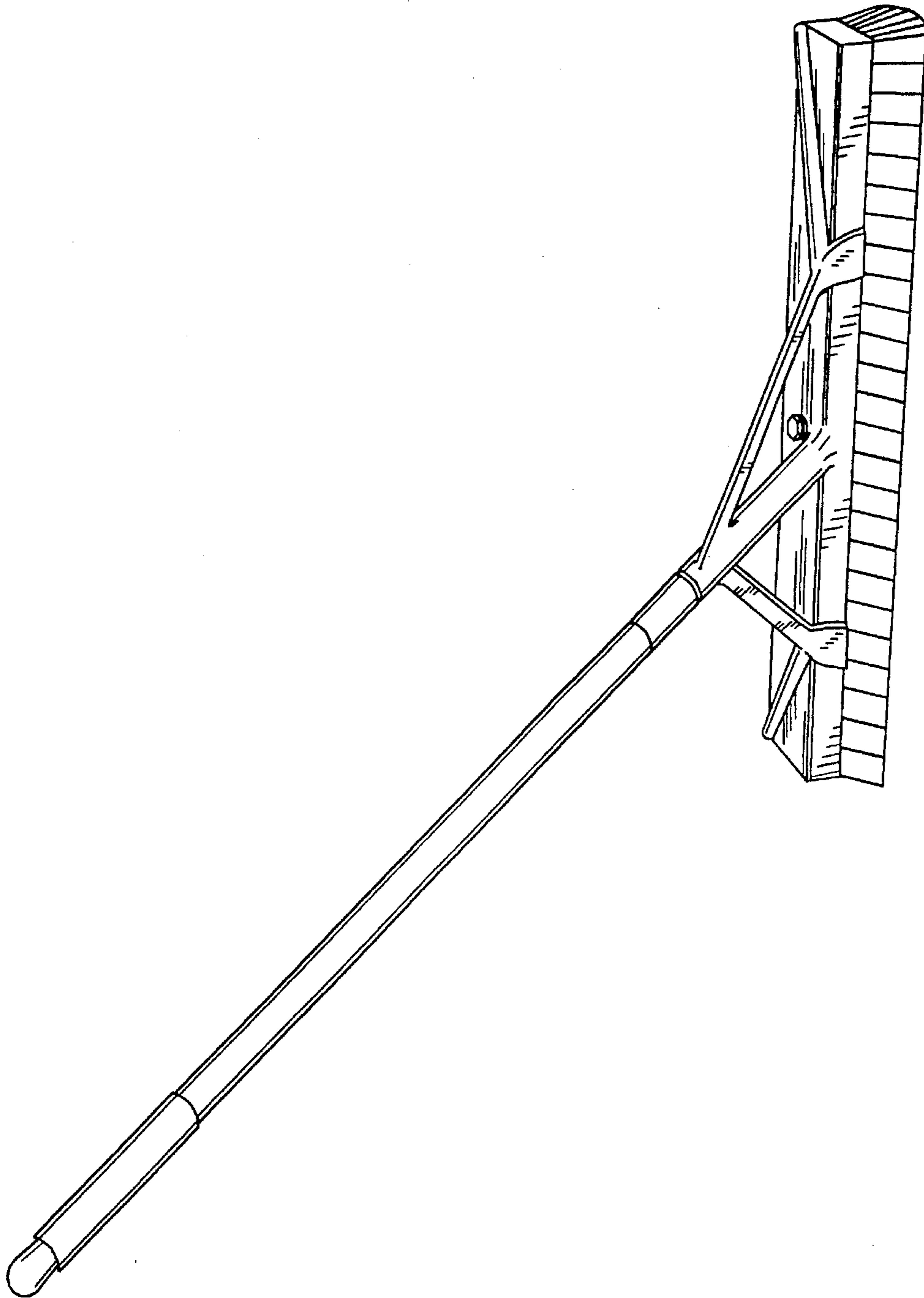


FIG. 2

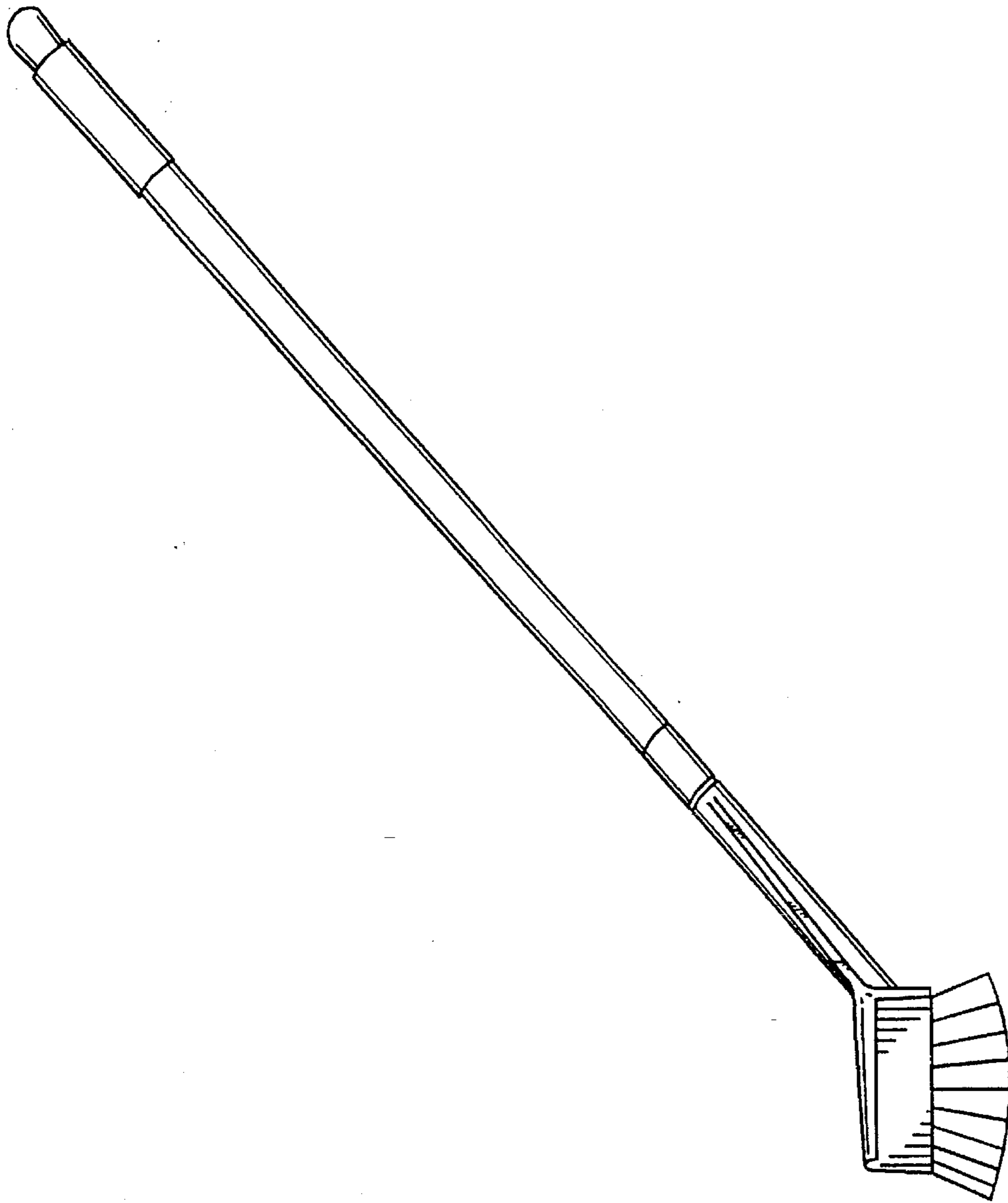


FIG. 3

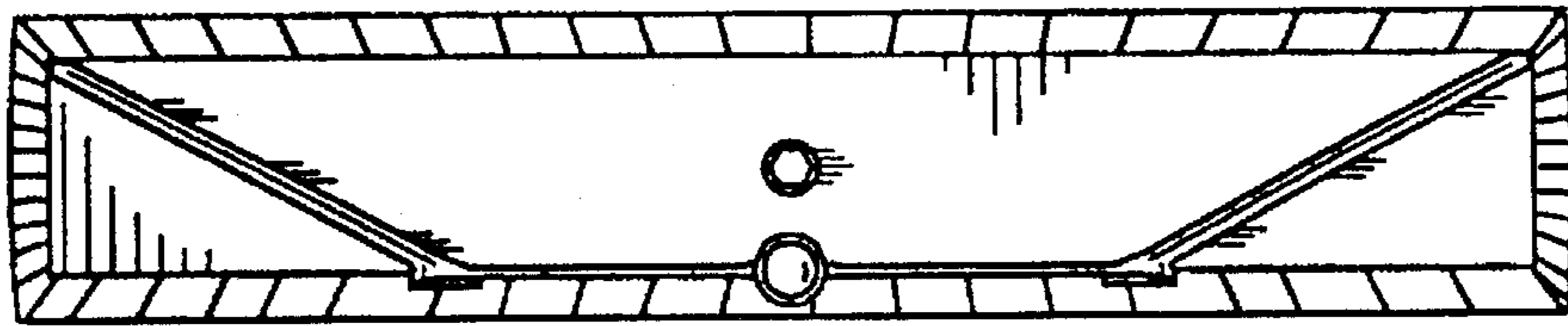


FIG. 4

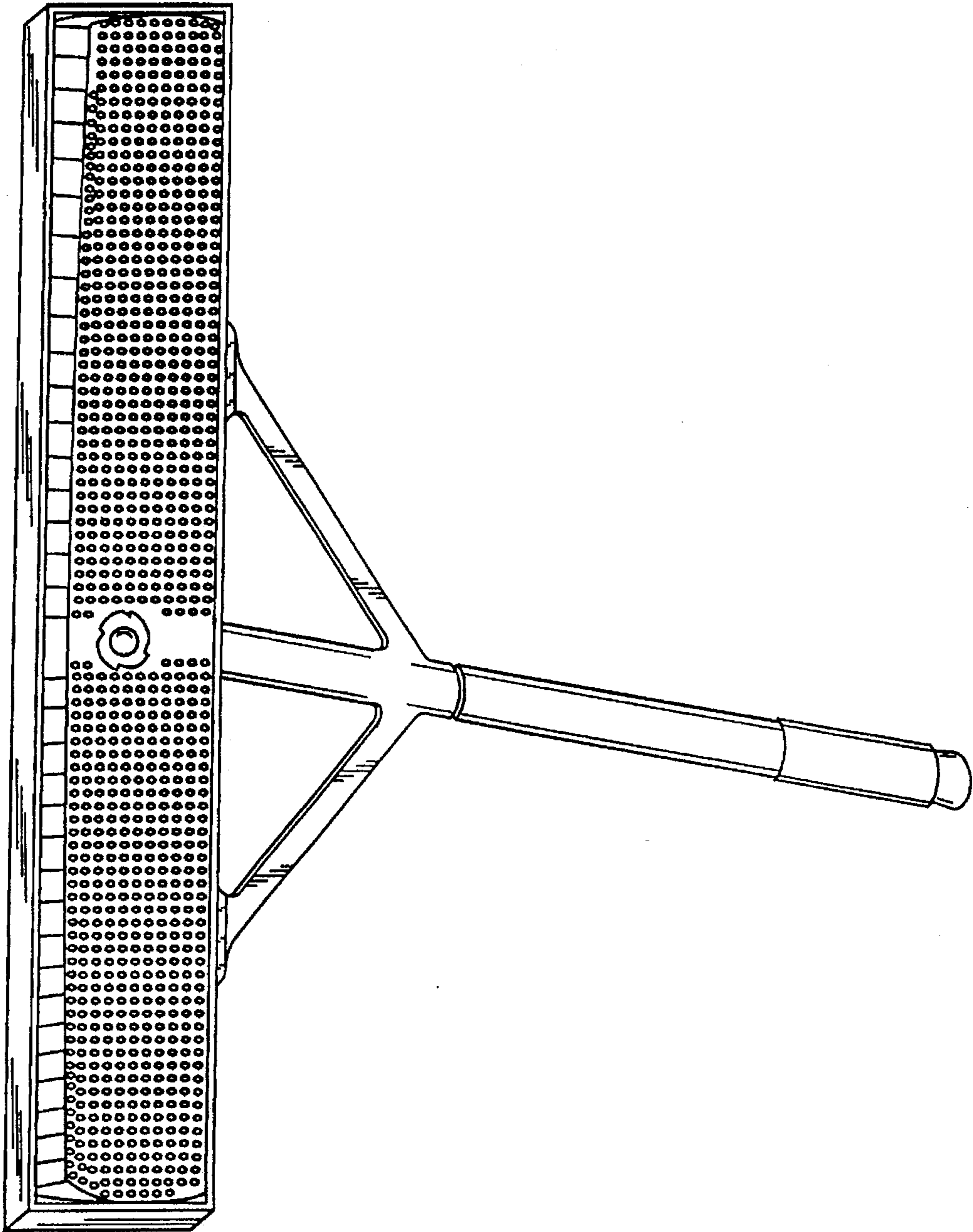


FIG. 5