



US00D375408S

# United States Patent [19]

[11] Patent Number: Des. 375,408

Muller

[45] Date of Patent: \*\*Nov. 12, 1996

## [54] COMBINATION RAZOR EXTENSION AND APPLICATOR

[76] Inventor: Alicia Muller, 252 Maple St., Secaucus, N.J. 07094

[\*\*] Term: 14 Years

[21] Appl. No.: 40,017

[22] Filed: Jun. 8, 1995

[52] U.S. Cl. .... D4/116; D4/108; D28/48

[58] Field of Search ..... D4/116, 118, 121, D4/130, 132-134, 138; 15/105, 143.1, 159.1, 160, 167.1, 167.2, 186, 187; 16/110 R; 132/289, 290, 308, 311, 313; D28/48

## [56] References Cited

### U.S. PATENT DOCUMENTS

1,684,855	9/1928	Acheson	15/167.1	X
2,503,898	4/1950	Bauder	132/290	X
2,674,000	4/1954	McDonald, Jr. et al.	15/167.1	X
5,125,130	6/1992	Stanish	16/110	R

### FOREIGN PATENT DOCUMENTS

137382	1/1920	United Kingdom	132/289
--------	--------	----------------	---------

Primary Examiner—A. Hugo Word  
Assistant Examiner—Lavone D. Tabor  
Attorney, Agent, or Firm—Siegmar Silber

## [57] CLAIM

The ornamental design for a combination razor extension and applicator, as shown and described.

## DESCRIPTION

FIG. 1 is a perspective view of a combination razor exten-

sion and applicator, showing the device used as a straight extension and with the broken lines showing a disposable razor, said broken lines are for illustrative purposes only and form no part of the claimed design;

FIG. 2 is a left side elevational view of FIG. 1;

FIG. 3 is a front elevational view of FIG. 1;

FIG. 4 is a top plan view of FIG. 1;

FIG. 5 is a bottom plan view of FIG. 1;

FIG. 6 is a second perspective view of the invention of FIG. 1 showing the device used as a flexed extension and with the broken lines showing a disposable razor, said broken lines are for illustrative purposes only and form no part of the claimed design;

FIG. 7 is a left side elevational view of FIG. 6;

FIG. 8 is a front elevational view of FIG. 6;

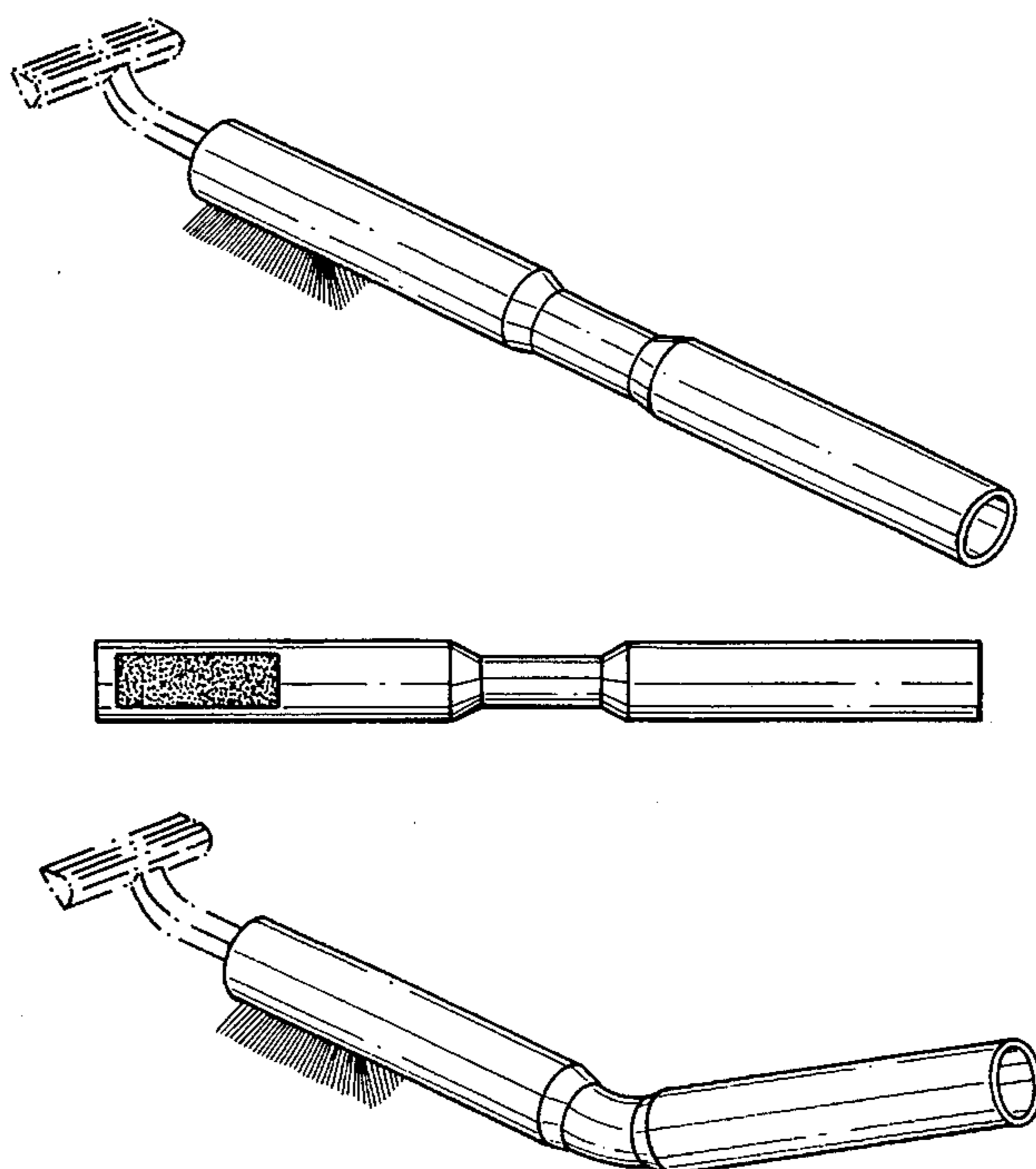
FIG. 9 is a rear elevational view of FIG. 6;

FIG. 10 is a top plan view of FIG. 6 ; and,

FIG. 11 is a bottom plan view of FIG. 6.

The right side of the claimed design as shown in the straight and flexed positions respectively is a mirror image of the left side shown in FIGS. 2 and 7 and the rear of the design as shown in the straight position is the same in appearance as the front shown in FIG. 3.

1 Claim, 2 Drawing Sheets



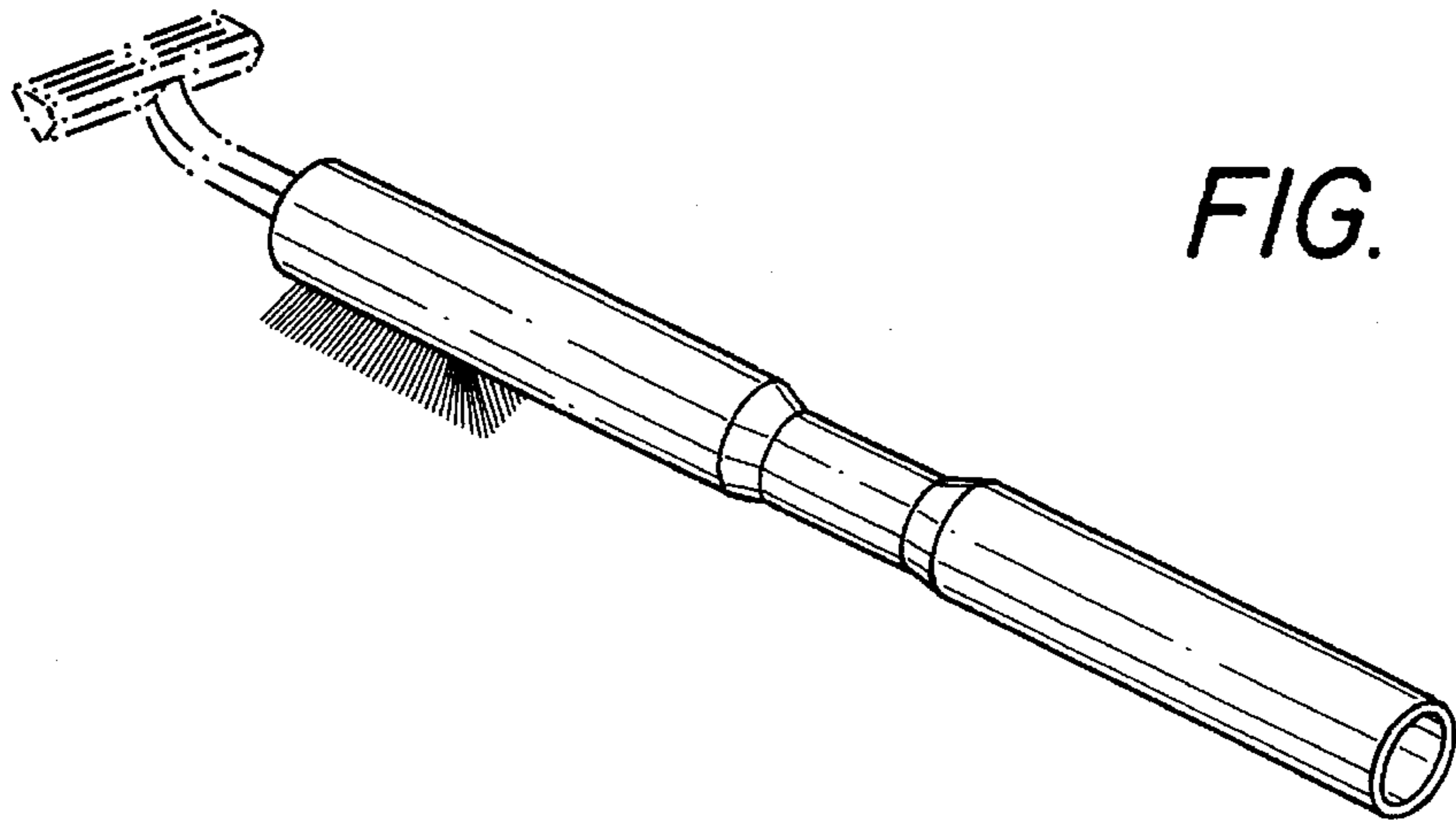


FIG. 1

FIG. 2

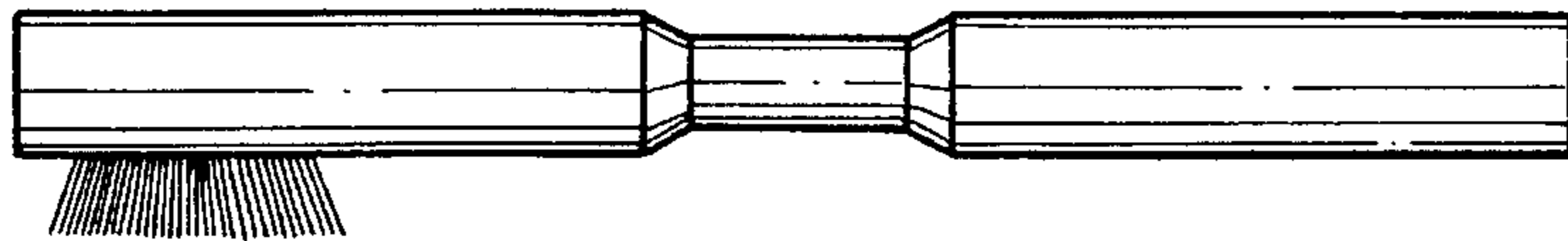


FIG. 3



FIG. 4

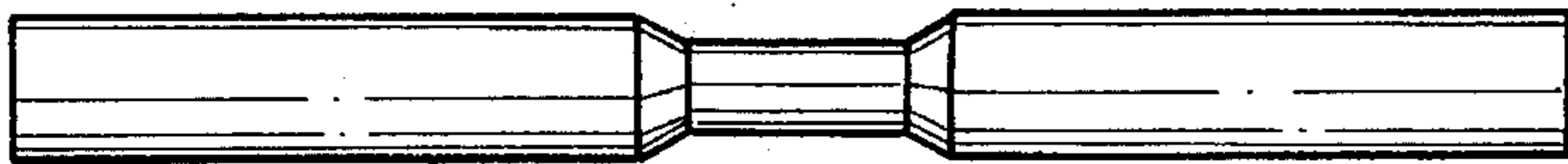
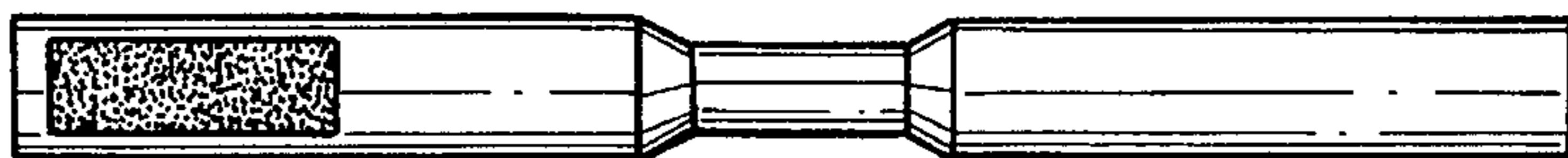


FIG. 5



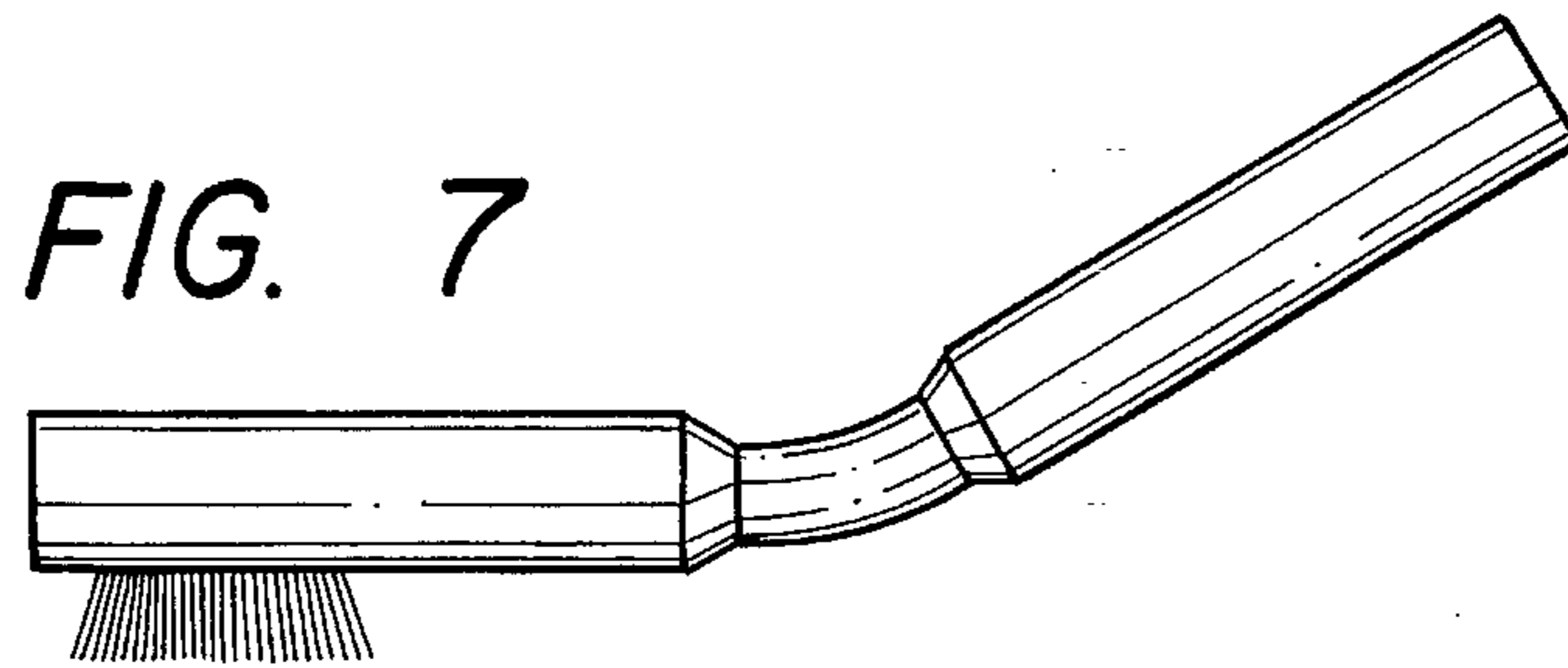
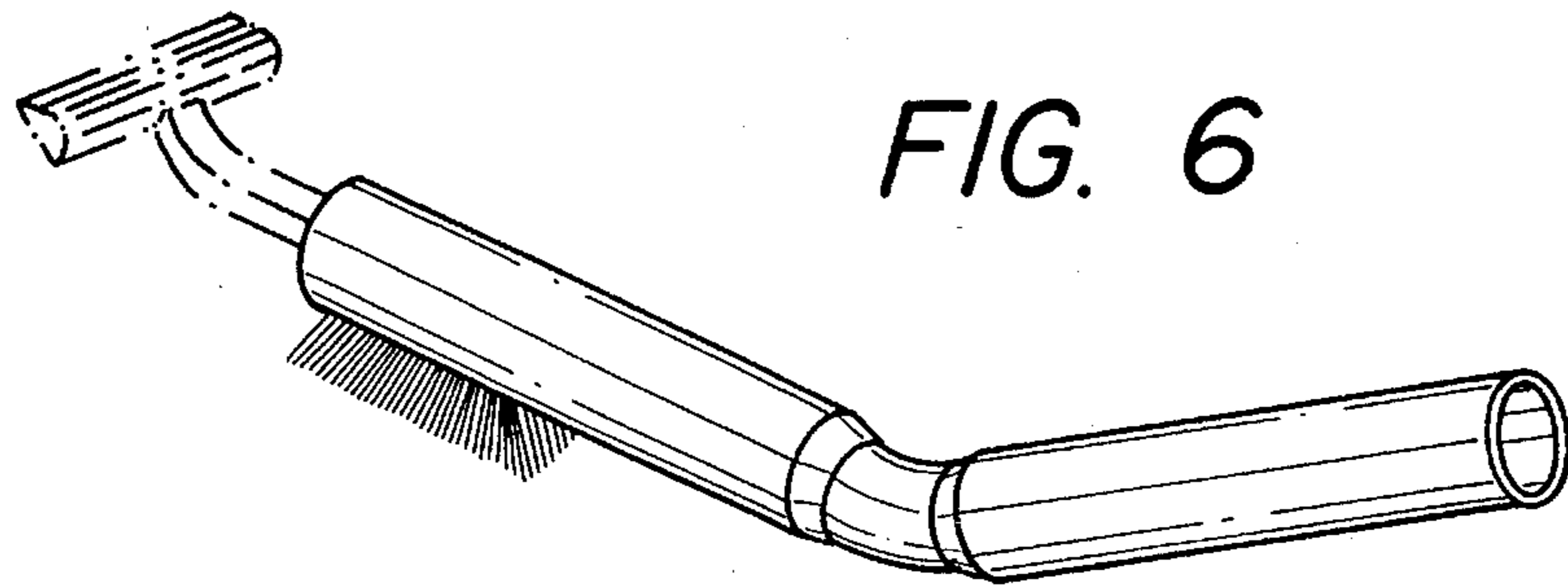


FIG. 8

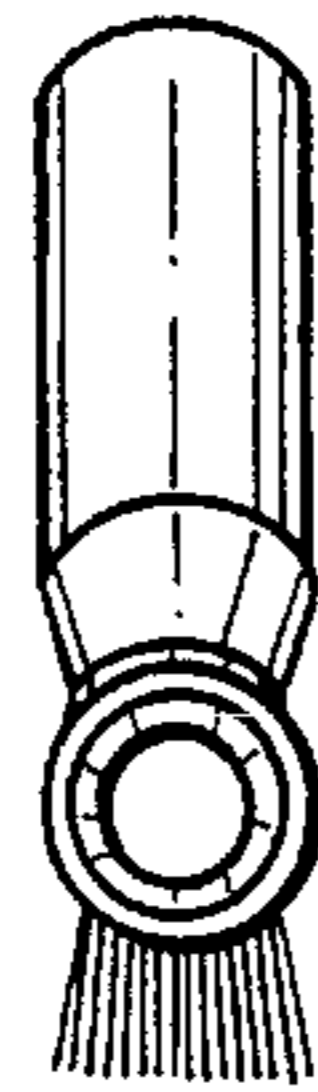


FIG. 9

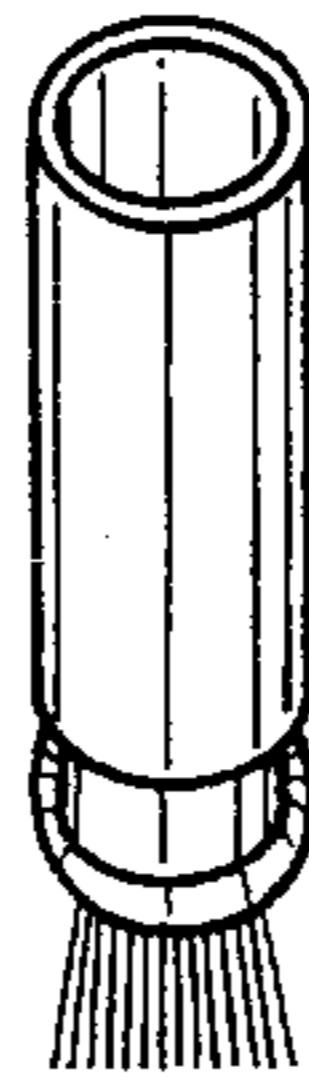


FIG. 10

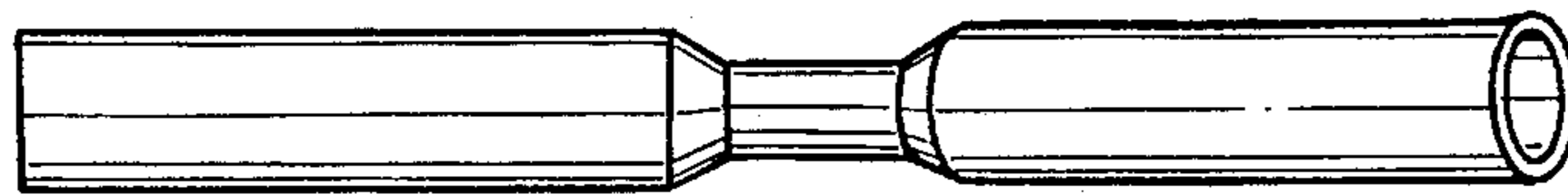


FIG. 11

