



US00D375405S

# United States Patent [19]

[11] Patent Number: **Des. 375,405**

**Hunsaker**

[45] Date of Patent: **\*\*\* Nov. 12, 1996**

[54] **GOLF CLUB CONTAINER**

[76] Inventor: **Gary B. Hunsaker**, 4475 Dupont Ct., #10, Ventura, Calif. 93003

[\*] Notice: The portion of the term of this patent subsequent to Jul. 18, 2009, has been disclaimed.

[\*\*] Term: **14 Years**

[21] Appl. No.: **38,745**

[22] Filed: **May 11, 1995**

**Related U.S. Application Data**

[63] Continuation-in-part of Ser. No. 20,861, Apr. 4, 1994, Pat. No. Des. 360,296.

[52] U.S. Cl. .... **D3/255**

[58] Field of Search ..... D3/254, 255, 269, D3/270, 272, 273, 276, 282, 204; 206/315.1, 315.2, 315.3, 315.4, 315.5, 315.6, 315.7, 315.8, 315.9

**References Cited**

**U.S. PATENT DOCUMENTS**

D. 282,303 1/1986 Jessen ..... D3/255 X

D. 312,531	12/1990	Sherer et al. ....	206/315.3 X
D. 339,227	9/1993	Fritze et al. ....	D3/255
D. 349,402	8/1994	Fiore .....	D3/255
D. 360,296	7/1995	Hunsaker .....	D3/255
4,796,789	1/1989	Willcocks .....	206/315.6 X

*Primary Examiner*—Doris V. Coles  
*Assistant Examiner*—Catherine P. Oliver  
*Attorney, Agent, or Firm*—Allan M. Shapiro

[57] **CLAIM**

The ornamental design for a golf club container, as shown and described.

**DESCRIPTION**

FIG. 1 is a perspective view from the front, right side and bottom end of a golf club container, showing my new design;

FIG. 2 is a perspective view from the rear, right side and top thereof;

FIG. 3 is a left side elevational view thereof;

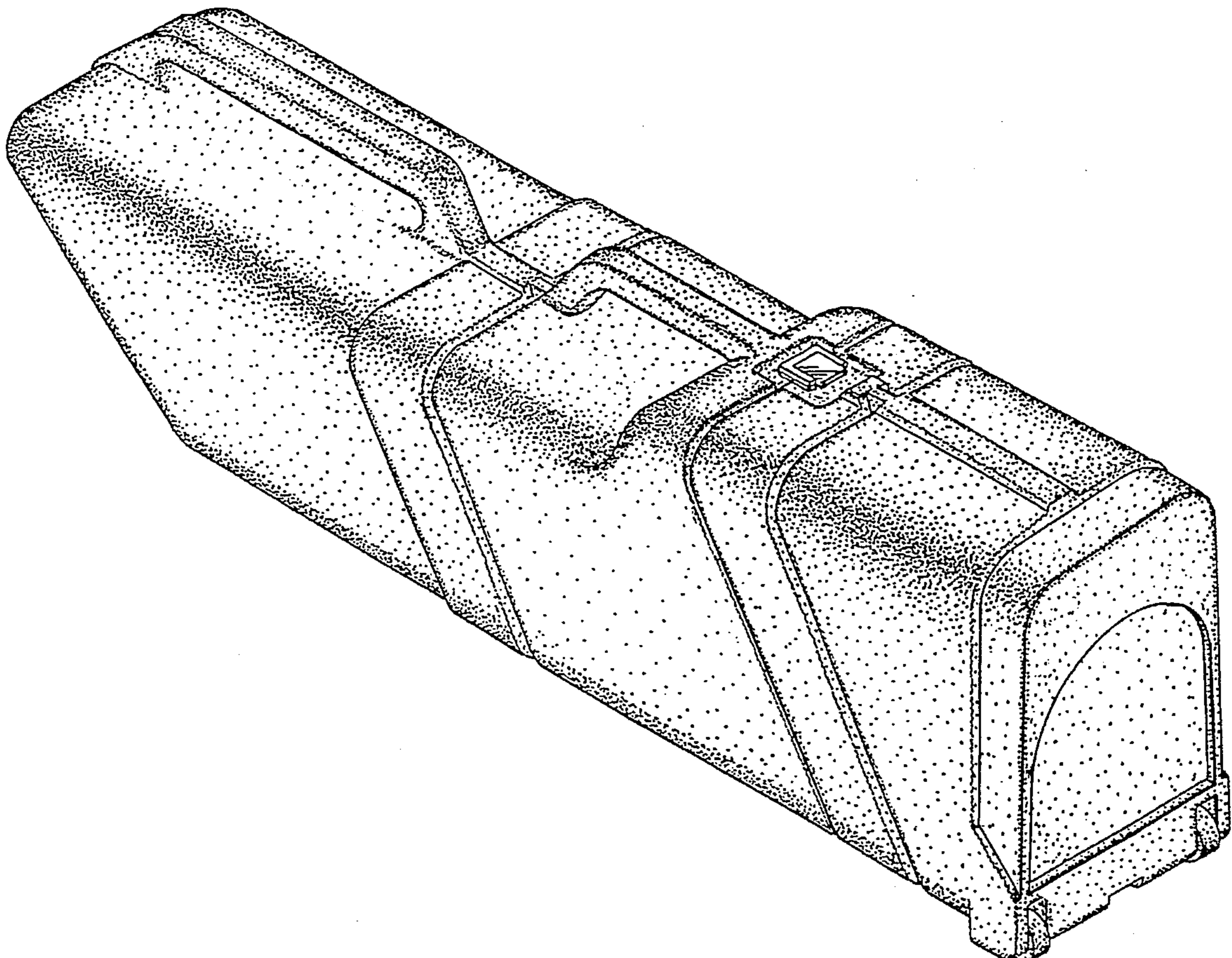
FIG. 4 is a front elevational view thereof;

FIG. 5 is a rear elevational view thereof;

FIG. 6 is a bottom end elevational view thereof; and,

FIG. 7 is a top end elevational view thereof.

**1 Claim, 4 Drawing Sheets**



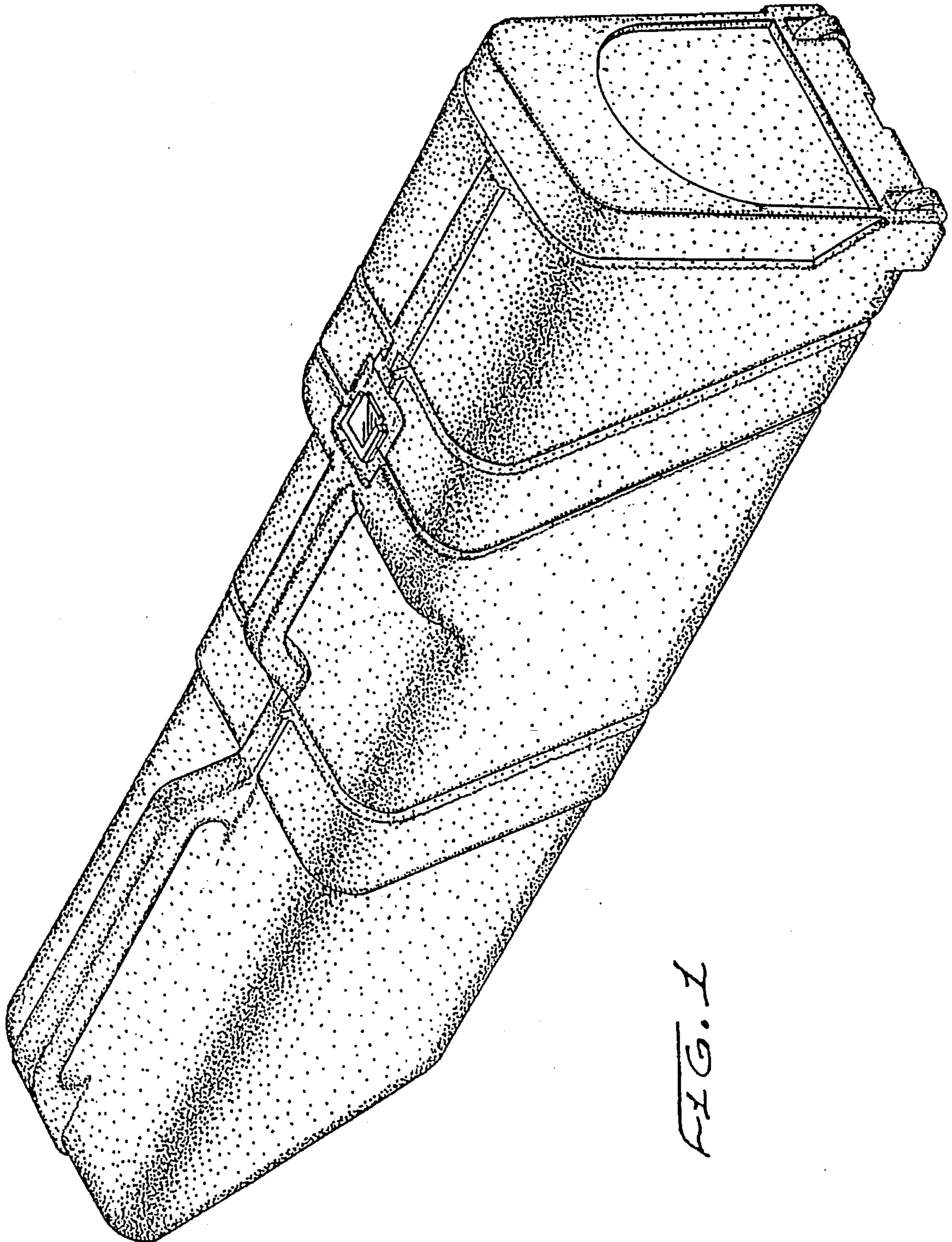
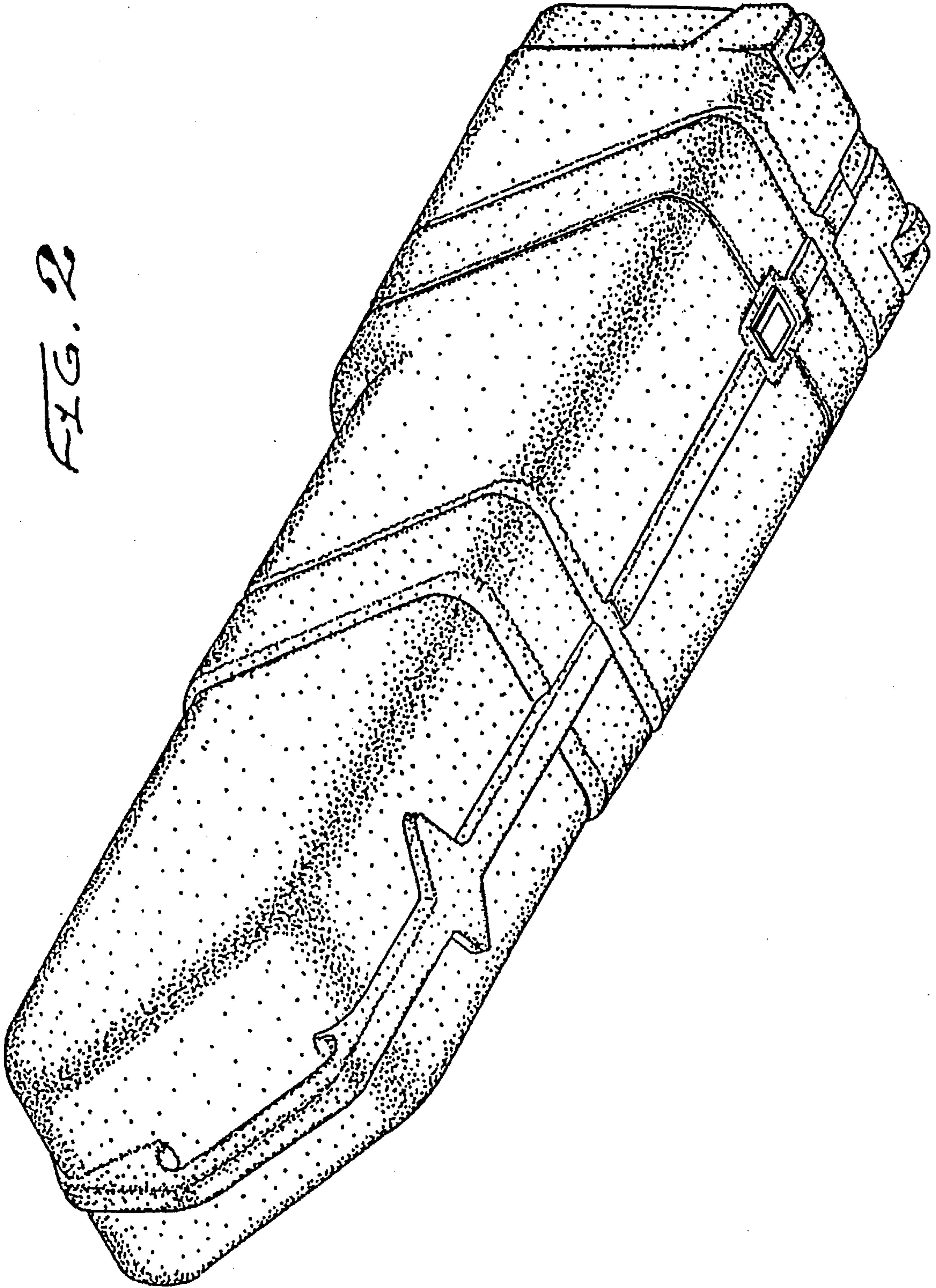


FIG. 1



FIG. 2





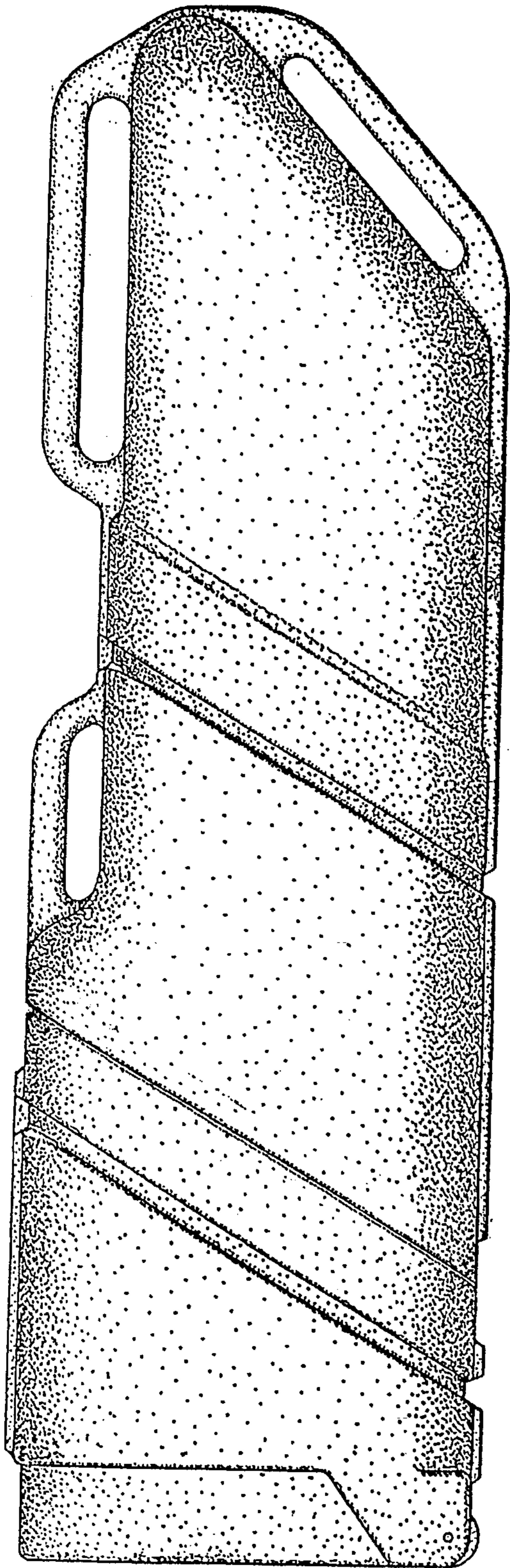


FIG. 3

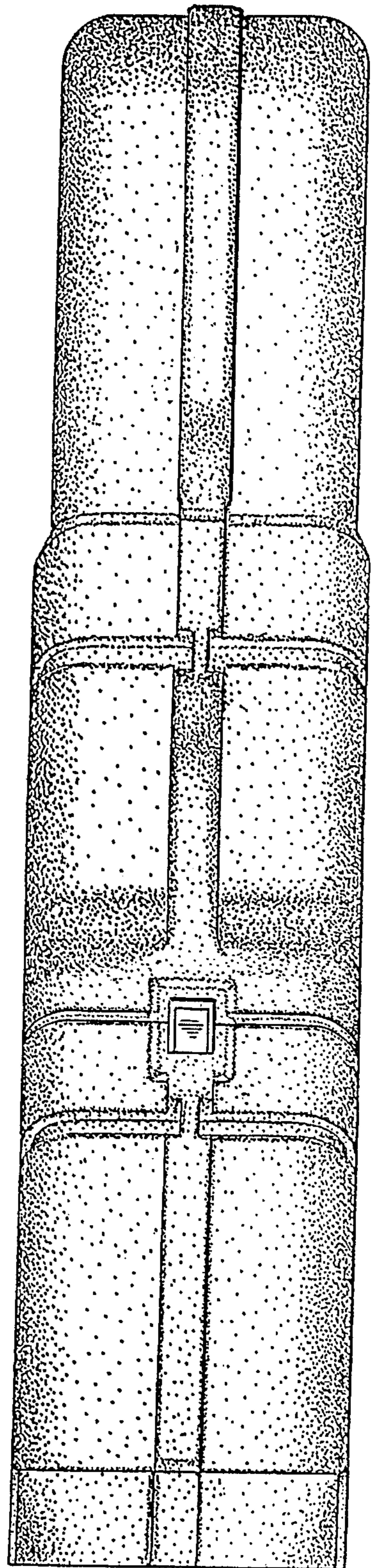


FIG. 4



FIG. 5

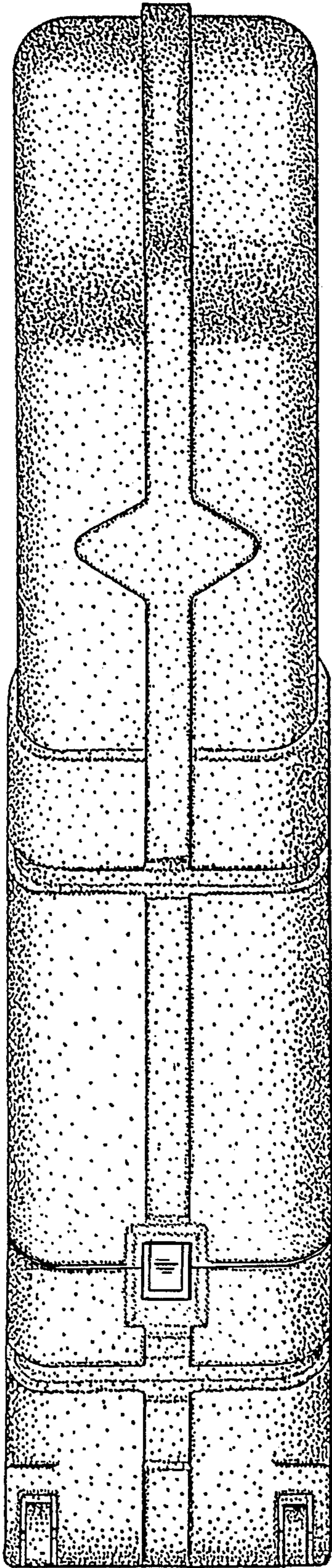


FIG. 7

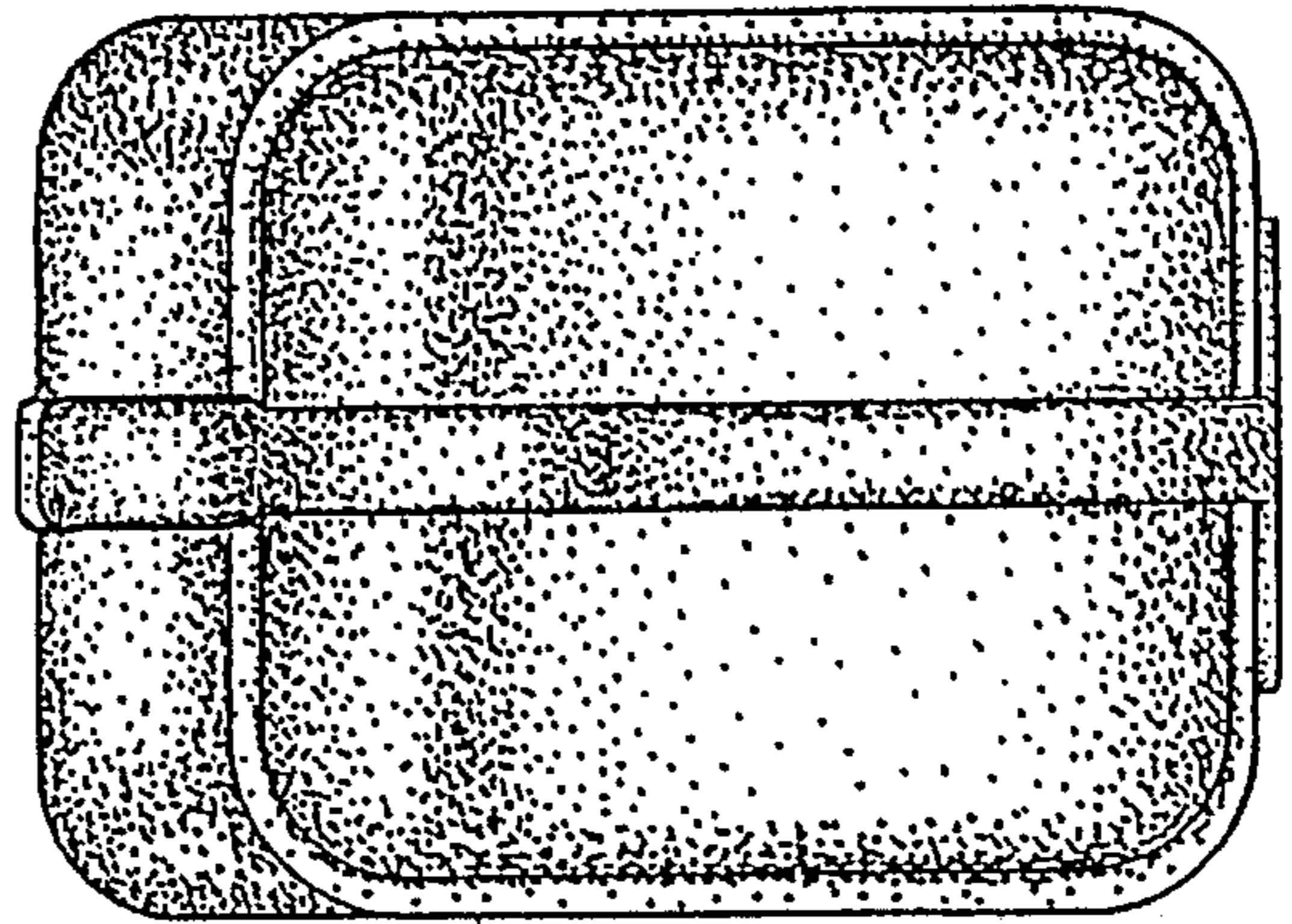


FIG. 6

