



US00D375404S

United States Patent [19]

[11] Patent Number: **Des. 375,404**

Moffitt

[45] Date of Patent: ****Nov. 12, 1996**

[54] **POUCH FOR A PAINTER'S BELT**

5,385,281 1/1995 Byrd 224/148
5,489,051 2/1996 Robinson 224/148

[75] Inventor: **Steven P. Moffitt**, 71 Horseshoe Rd.,
Guilford, Conn. 06437

Primary Examiner—Doris V. Coles
Assistant Examiner—Catherine R. Oliver

[73] Assignees: **Steven P. Moffitt; John David Moffit**,
both of Guilford, Conn.

[57] **CLAIM**

[**] Term: **14 Years**

The ornamental design for pouch for a painter's belt, as shown and described.

[21] Appl. No.: **45,288**

DESCRIPTION

[22] Filed: **Oct. 16, 1995**

[52] U.S. Cl. **D3/228**

[58] Field of Search D3/228, 215, 224,
D3/226, 229, 315; 224/148, 224, 226, 227,
228, 197

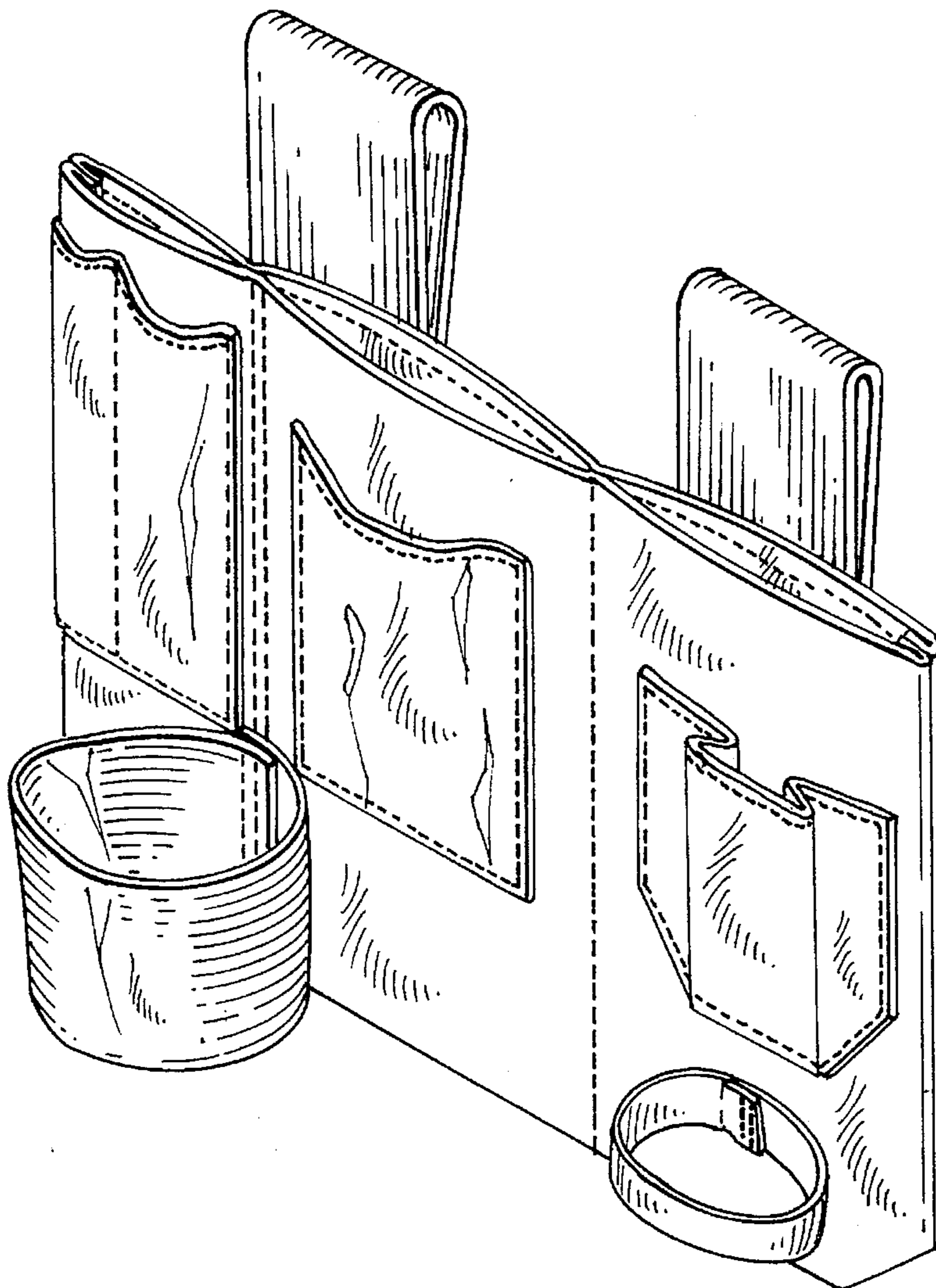
FIG. 1 is a front perspective view of the pouch for a painter's belt showing my new design;
FIG. 2 is a top view thereof;
FIG. 3 is a front view thereof;
FIG. 4 is a right side view thereof;
FIG. 5 is a left side view thereof;
FIG. 6 is a rear view thereof; and,
FIG. 7 is a bottom view.

[56] **References Cited**

U.S. PATENT DOCUMENTS

D. 350,849 9/1994 Dancyger D3/228
5,040,711 8/1991 Niederhauser 224/228 X

1 Claim, 3 Drawing Sheets



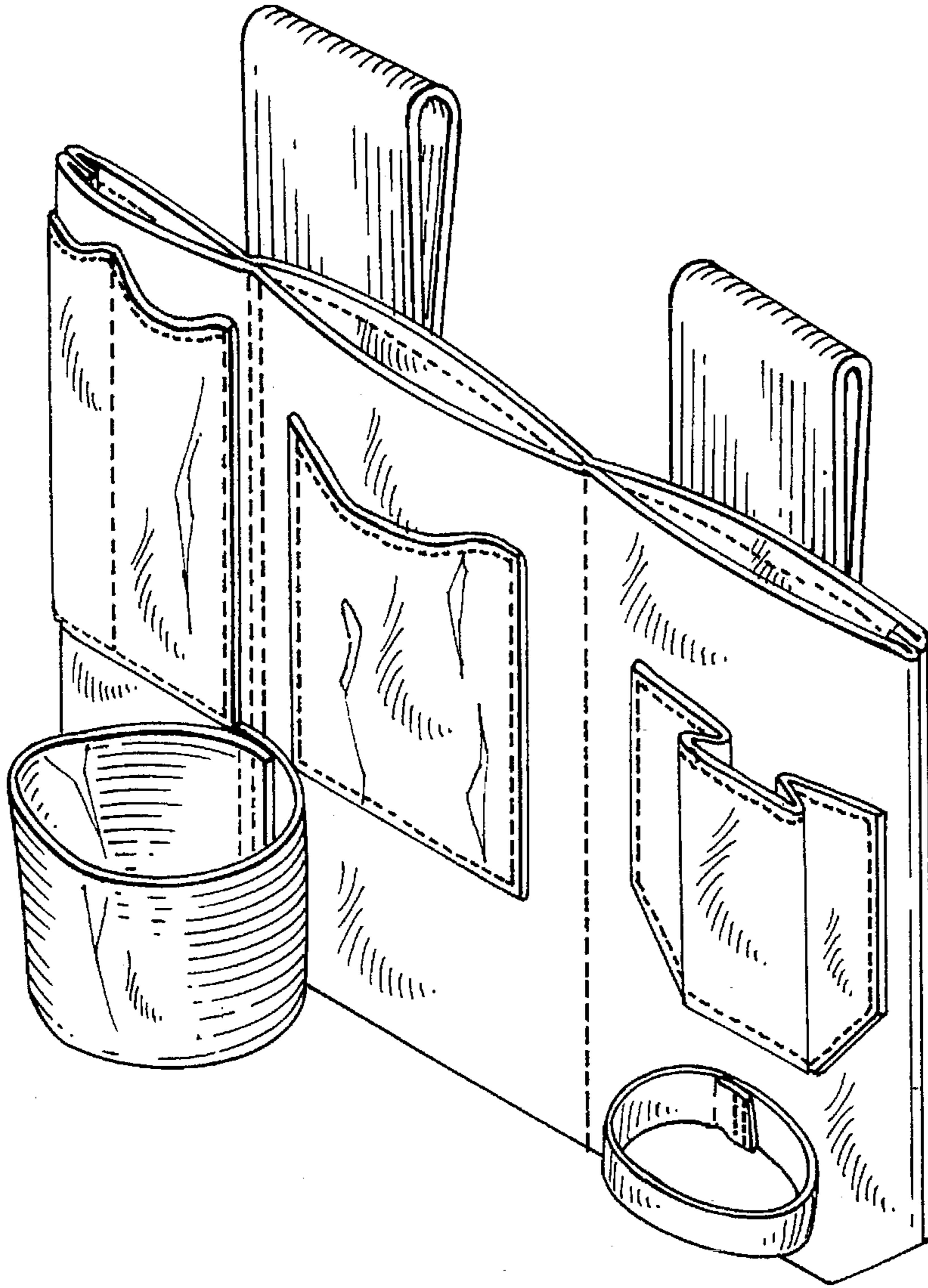


FIG. 1

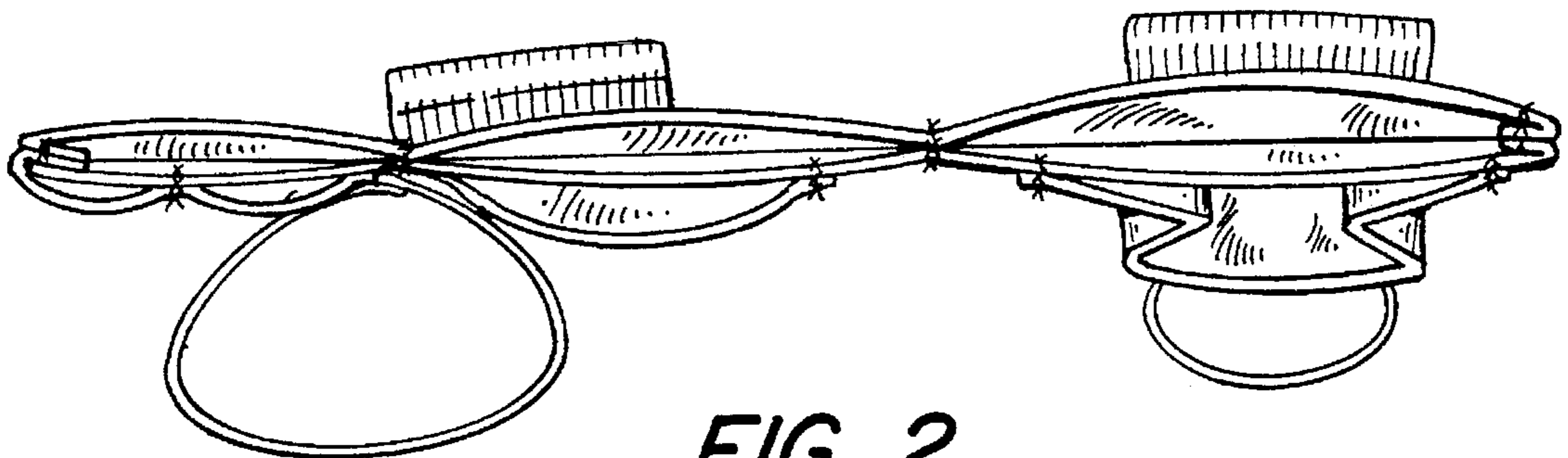


FIG. 2

FIG. 3

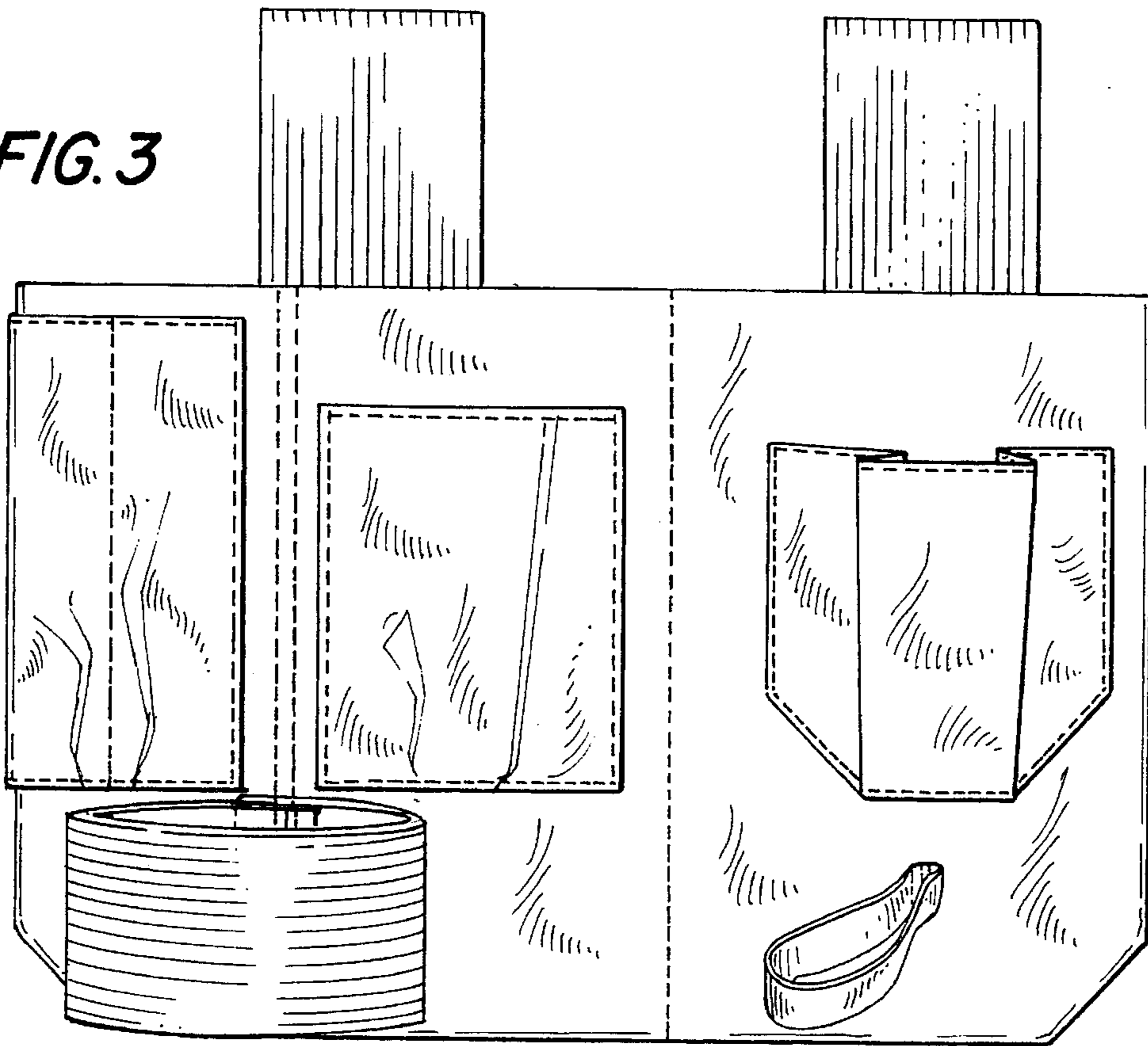


FIG. 4

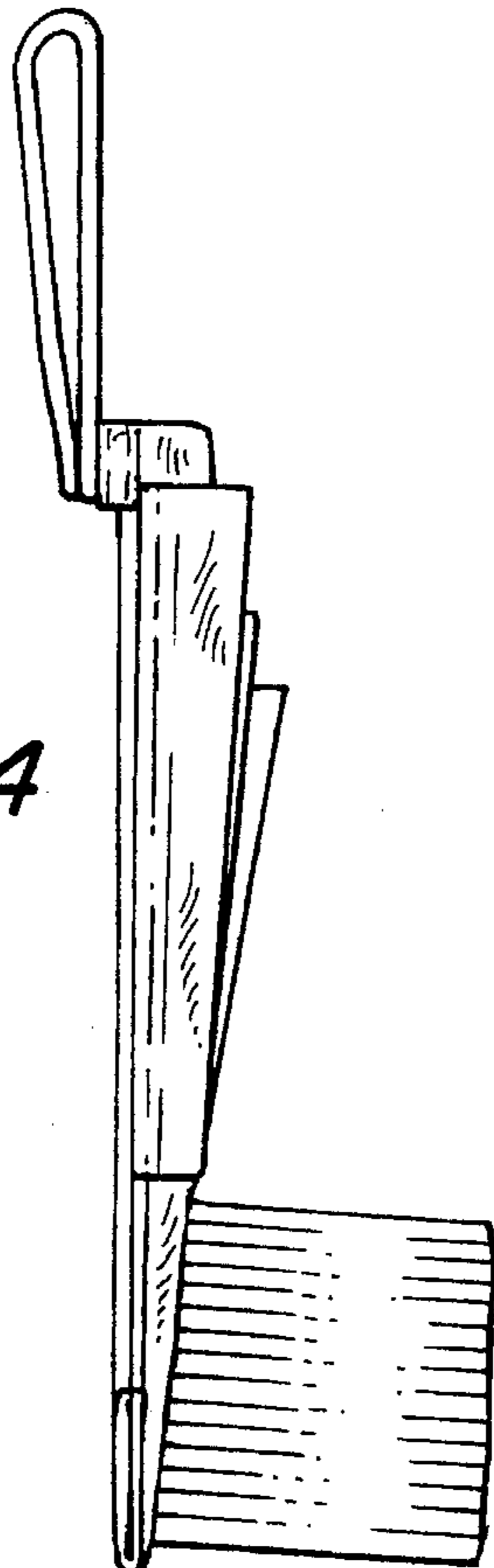
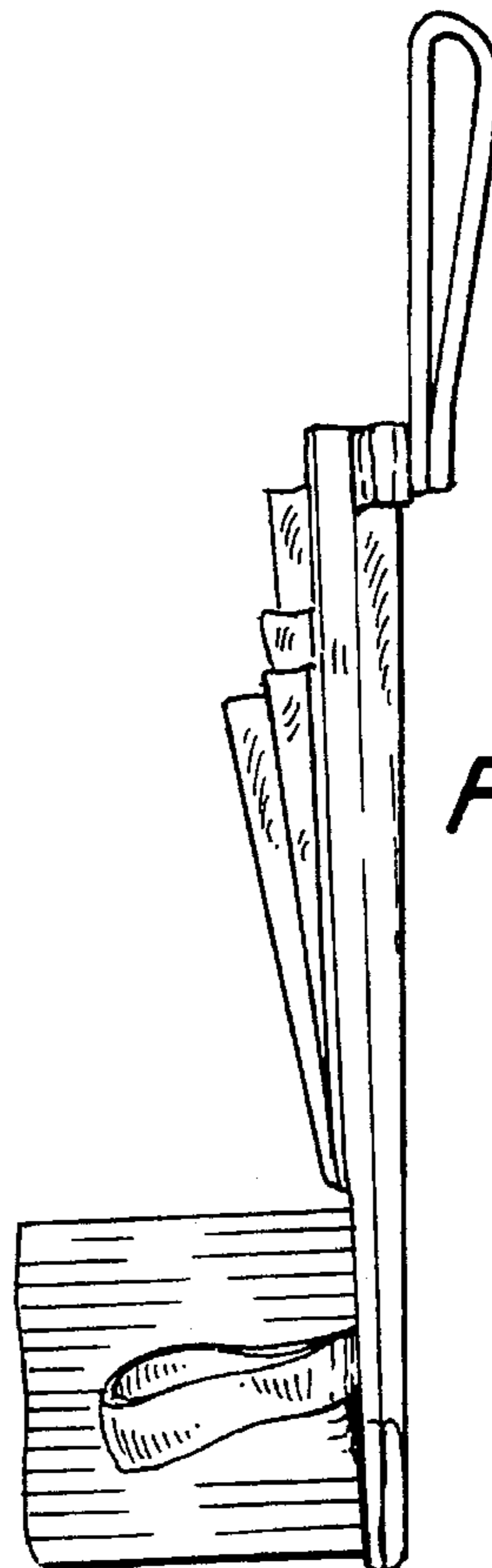


FIG. 5



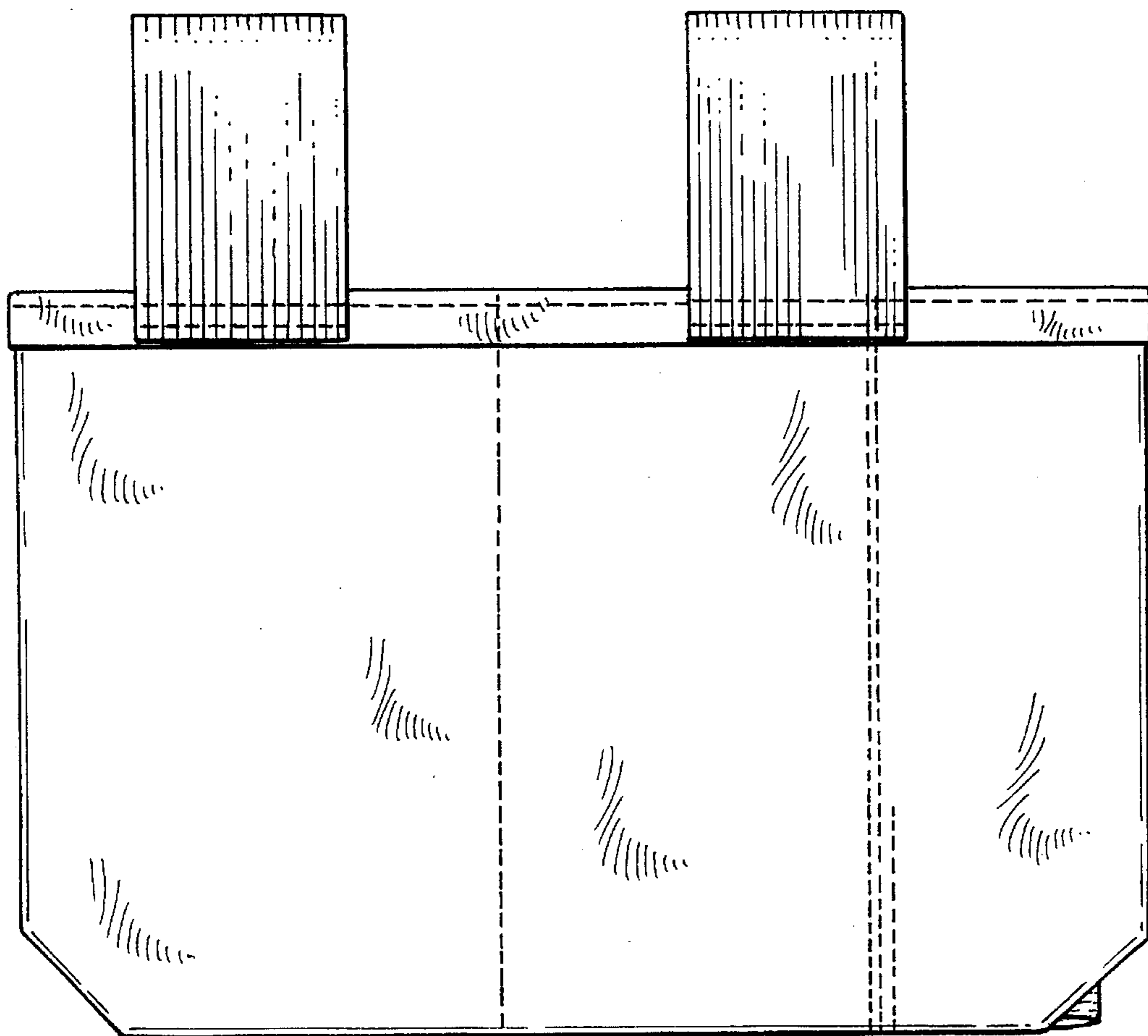


FIG. 6

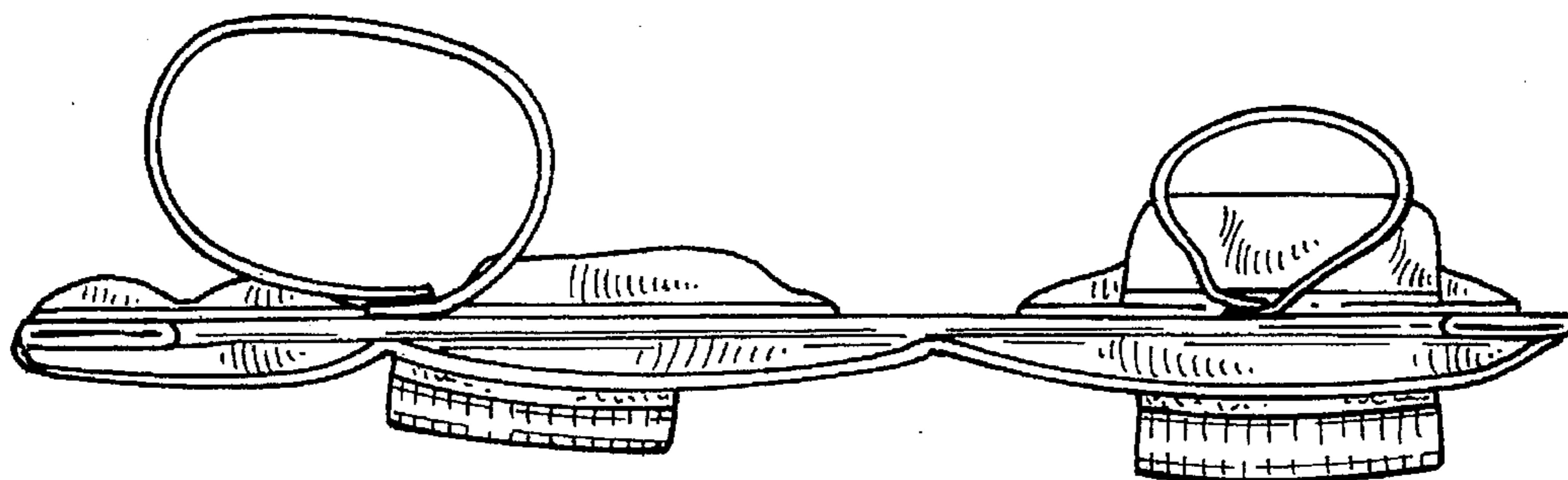


FIG. 7