



US00D375400S

# United States Patent [19] Bishop

[11] Patent Number: **Des. 375,400**  
[45] Date of Patent: **\*\*Nov. 12, 1996**

## [54] SANDAL UPPER

[76] Inventor: **Lee N. Bishop**, Ste. 416, 1809  
Princeton Lakes Dr., Brandon, Fla.  
33511

[\*\*] Term: **14 Years**

[21] Appl. No.: **24,252**

[22] Filed: **Jun. 10, 1994**

[52] U.S. Cl. .... **D2/969**

[58] Field of Search ..... D2/969, 916, 917,  
D2/918; 36/11.5, 7.5, 114, 92, 114

## [56] References Cited

### U.S. PATENT DOCUMENTS

D. 75,261	5/1928	Koehnemann	.....	D2/918 X
D. 255,396	6/1980	Scheinhaus et al.	.....	D2/916
D. 306,930	4/1990	Combs	.....	D2/916
2,114,421	4/1938	Giuffre	.....	D2/916 X
2,511,101	6/1950	Clarke	.....	36/94 X
3,066,678	12/1962	Riecken	.....	36/166
4,094,081	6/1978	Reiner et al.	.....	36/11.5 X

### FOREIGN PATENT DOCUMENTS

602839	3/1960	Italy	.....	36/11.5
--------	--------	-------	-------	---------

## OTHER PUBLICATIONS

Grasshoppers, Spring 1978, front cover "Cali" Sandal.

*Primary Examiner*—Doris V. Coles  
*Attorney, Agent, or Firm*—Wigman, Cohen, Leitner &  
Myers, P.C.

## [57] CLAIM

The ornamental design for a sandal upper, as shown and described.

## DESCRIPTION

FIG. 1 is a to perspective view of a sandal upper, showing my new design;

FIG. 2 is a top plan view thereof;

FIG. 3 is a right side elevational view thereof;

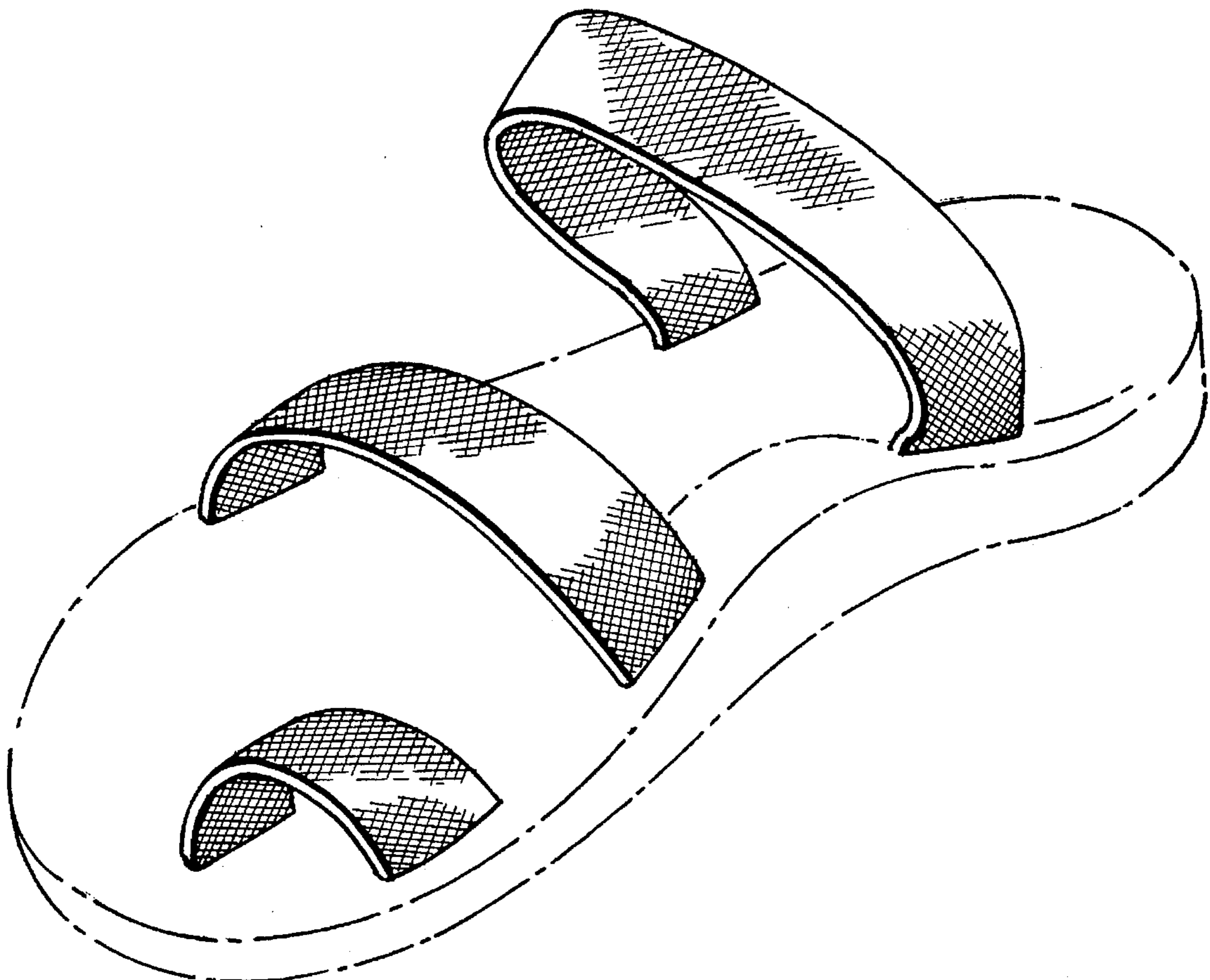
FIG. 4 is a left side elevational view thereof;

FIG. 5 is a front elevational view thereof; and,

FIG. 6 is a rear elevational view thereof.

The broken line showing a sole in FIGS. 1-6 is for illustrative purposes only and forms no part of claimed design.

**1 Claim, 3 Drawing Sheets**



**FIG. 1**

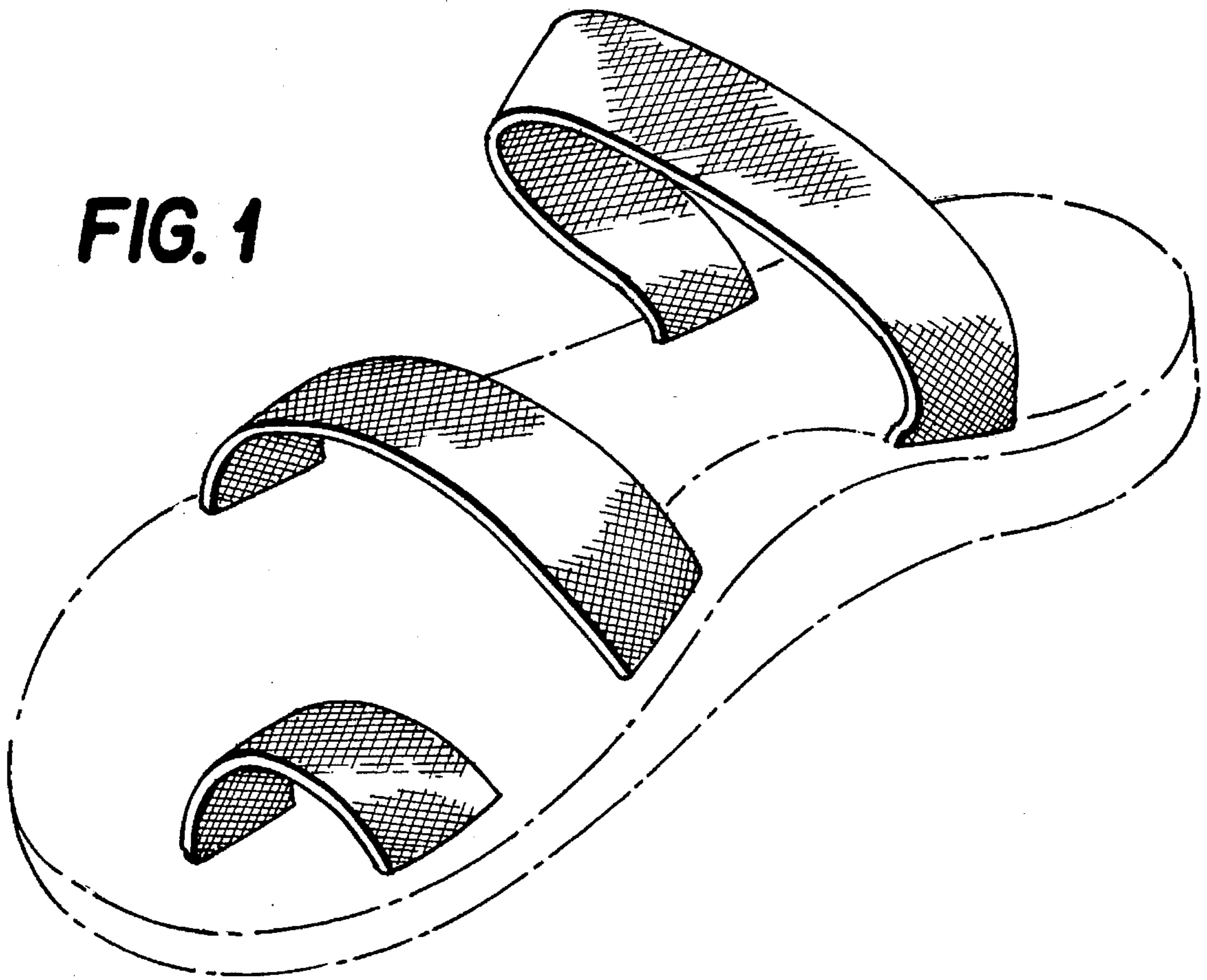


FIG. 2

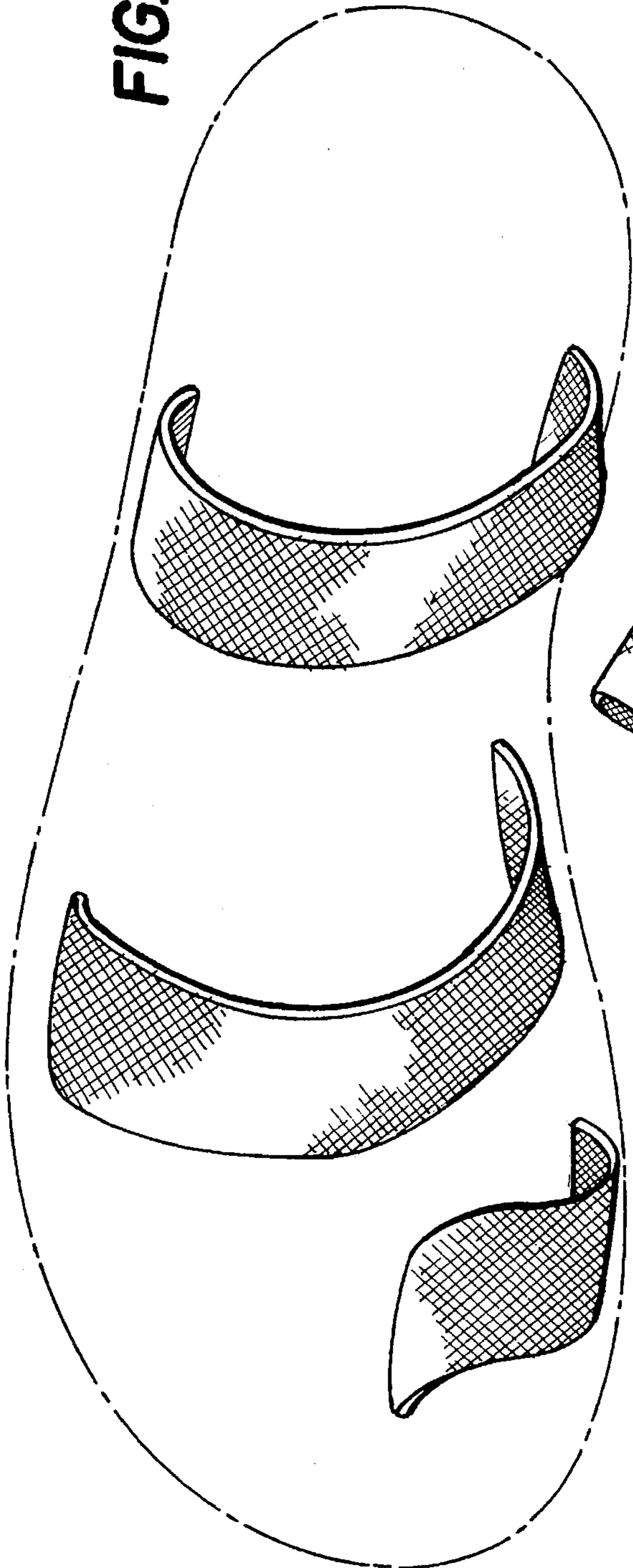


FIG. 3

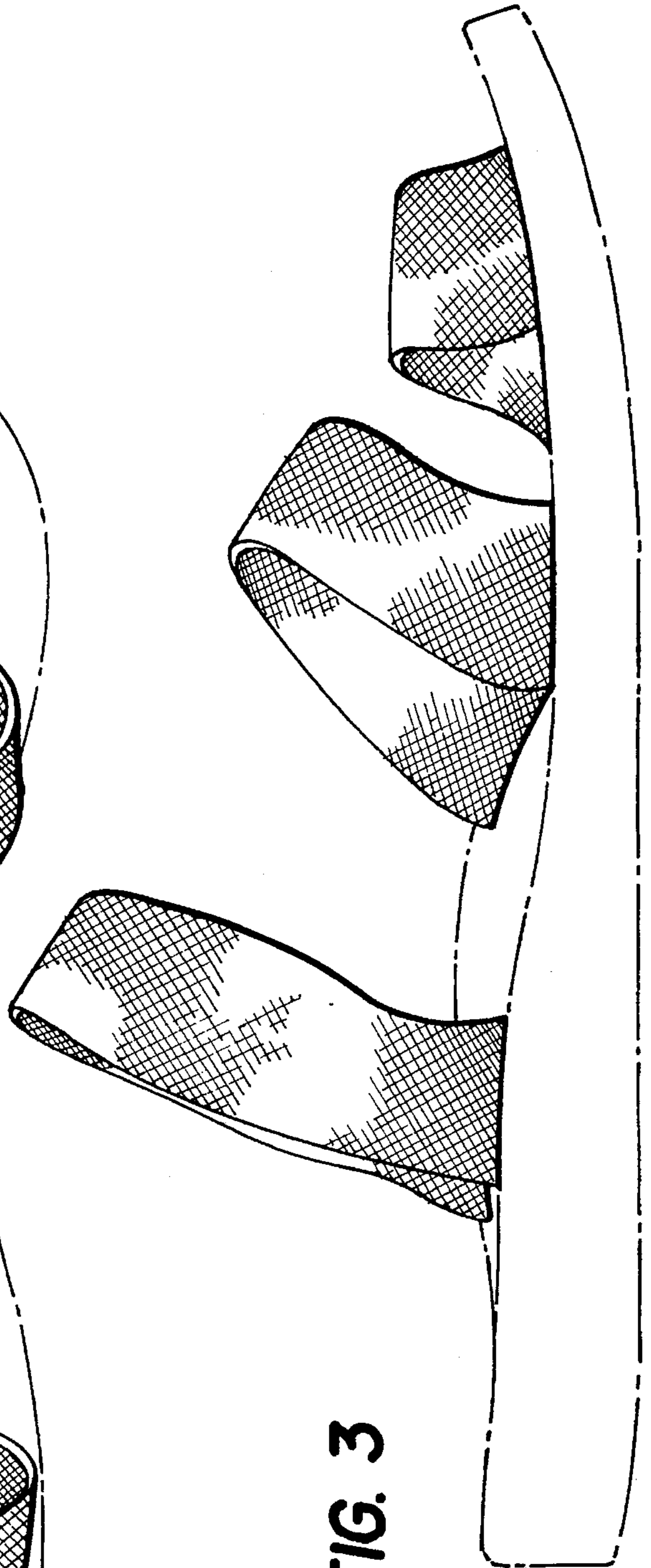


FIG. 4

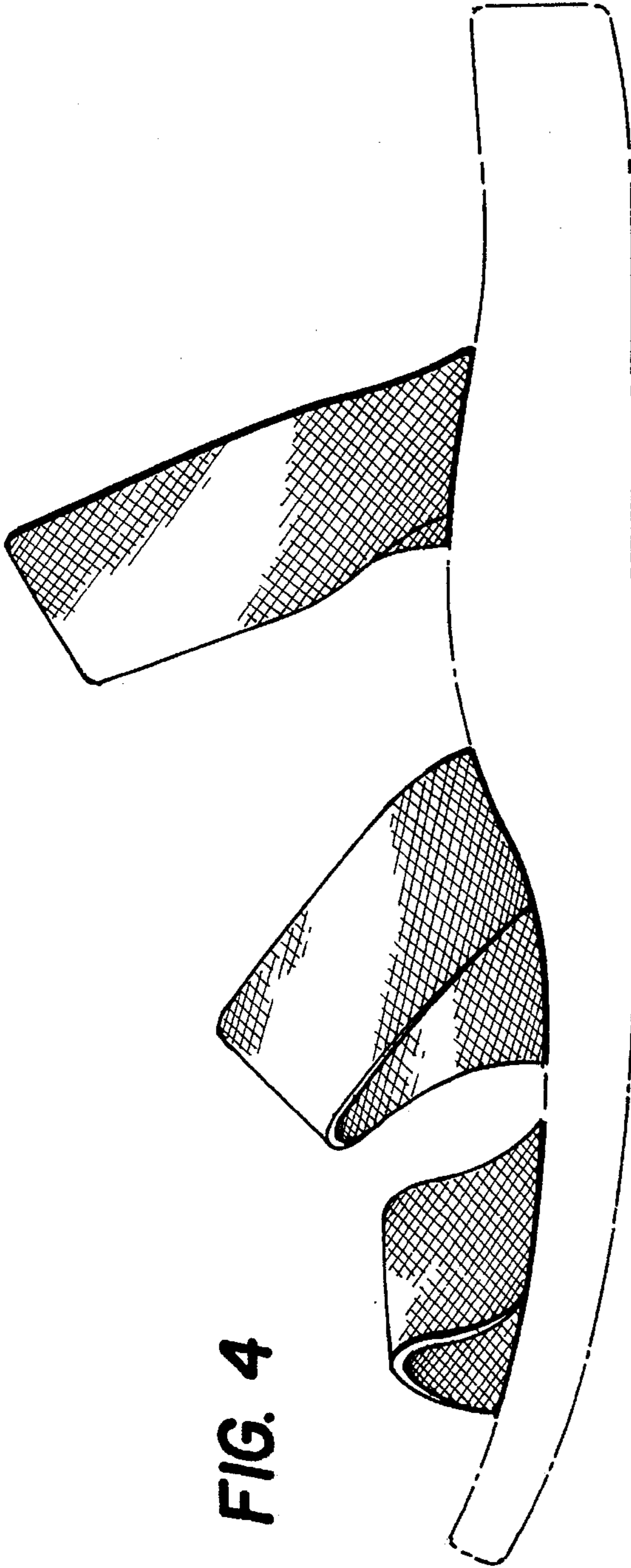


FIG. 5

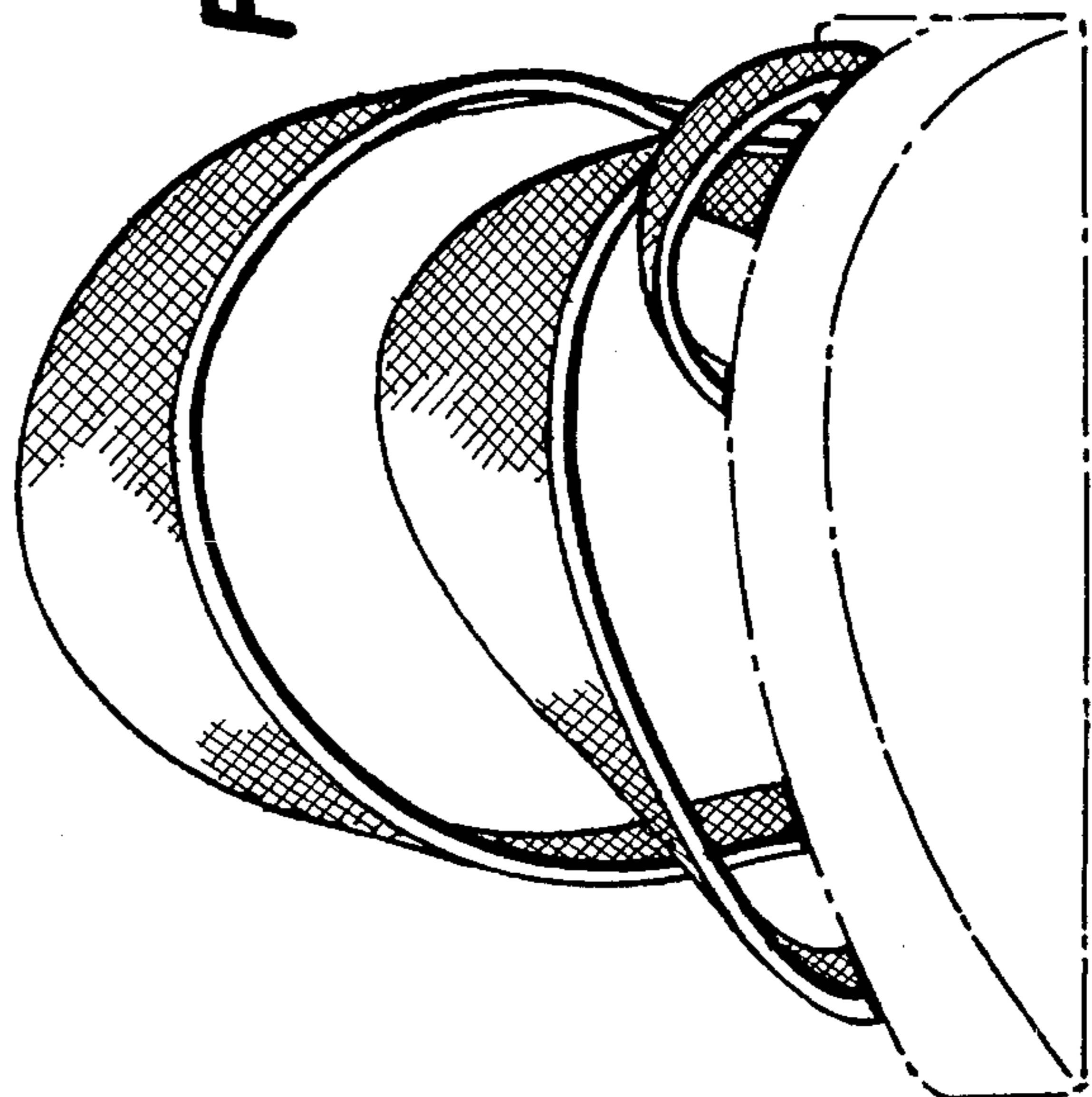


FIG. 6

