



US00D375392S

United States Patent [19]

Turnage et al.

[11] Patent Number: **Des. 375,392**

[45] Date of Patent: ****Nov. 5, 1996**

[54] **PORTABLE DOLLY WITH HYDRAULIC LIFT**

D. 346,251	4/1994	Morooka	D34/28 X
3,907,138	9/1975	Rhodes	414/448
4,589,669	5/1986	Kedem	280/43.12

[75] Inventors: **Michael L. Turnage**, Riverside;
Michael C. Totten, Hemet; **William D. Cohee**, Riverside, all of Calif.

Primary Examiner—B. J. Bullock
Assistant Examiner—Linda Brooks

[73] Assignee: **High Desert Equipment Corp.**, Hemet, Calif.

[57] **CLAIM**

The ornamental design for a portable dolly with hydraulic lift, as shown and described.

[**] Term: **14 Years**

DESCRIPTION

[21] Appl. No.: **33,343**

FIG. 1 is a rear perspective view of portable dolly with hydraulic lift showing the new design; FIG. 2 is a top plan view thereof; FIG. 3 is a rear elevation view thereof; FIG. 4 is a bottom view thereof; FIG. 5 is a right elevation view thereof; FIG. 6 is a front elevation thereof; and, FIG. 7 is a left side elevation view thereof. FIGS. 2-7 are shown in reduced scale.

[22] Filed: **Jan. 10, 1995**

[52] U.S. Cl. **D34/28**

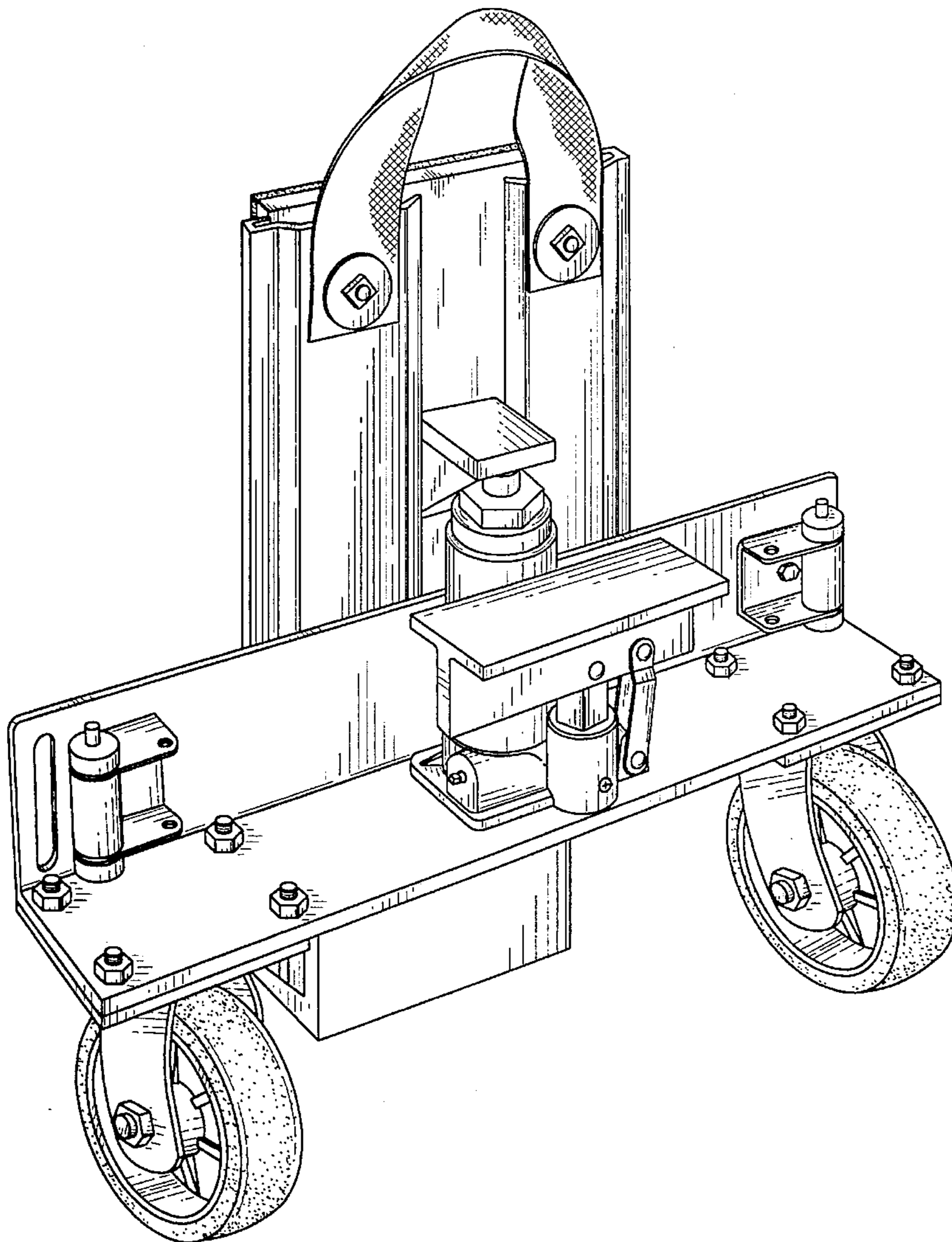
[58] Field of Search D34/28; 187/272, 187/244; 254/2 R, 2 B; 280/43, 43.1, 43.12, 43.13, 43.17; 212/185; 414/448

[56] **References Cited**

U.S. PATENT DOCUMENTS

D. 312,909 12/1990 Larsen et al. D34/34

1 Claim, 3 Drawing Sheets



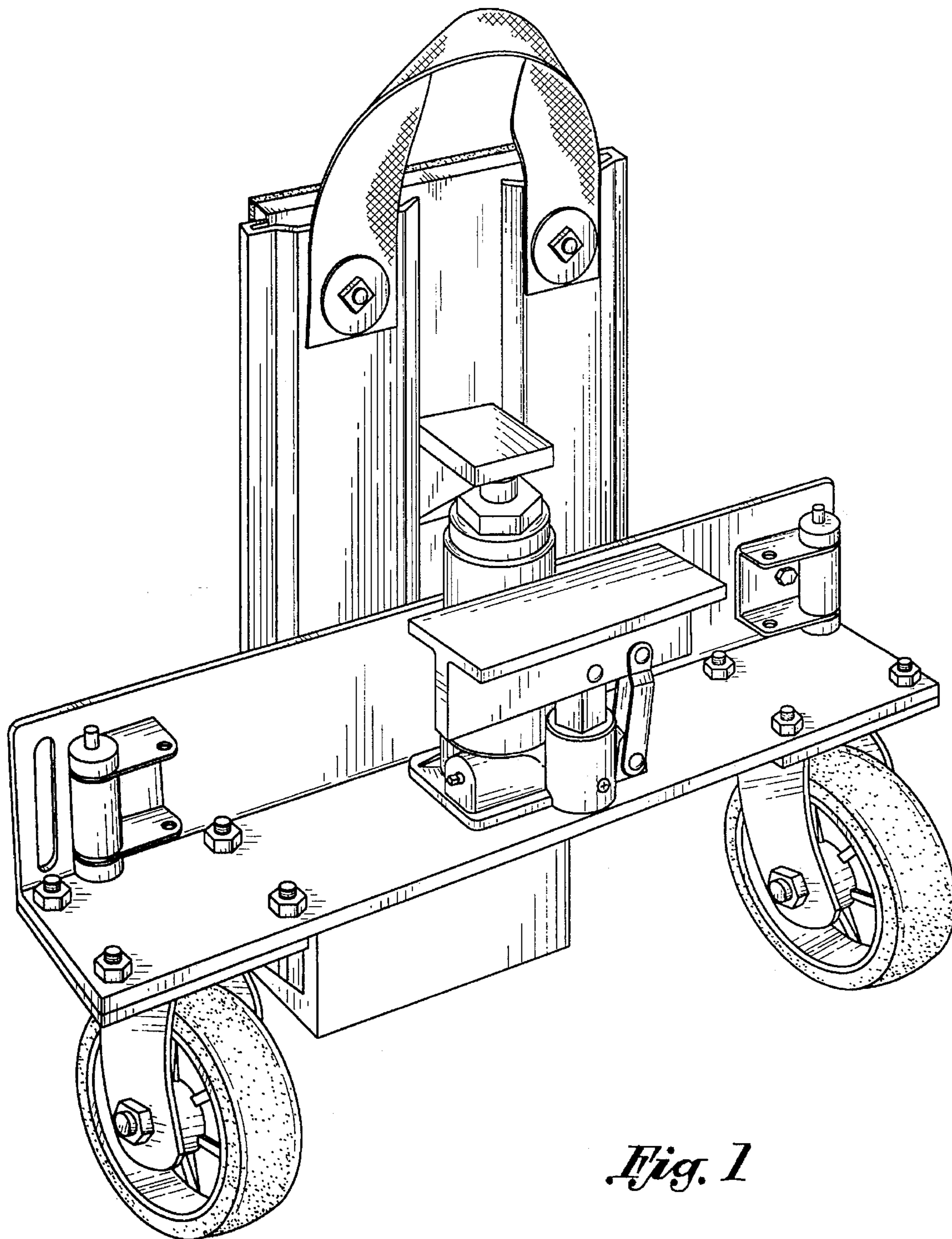


Fig. 1

Fig. 2

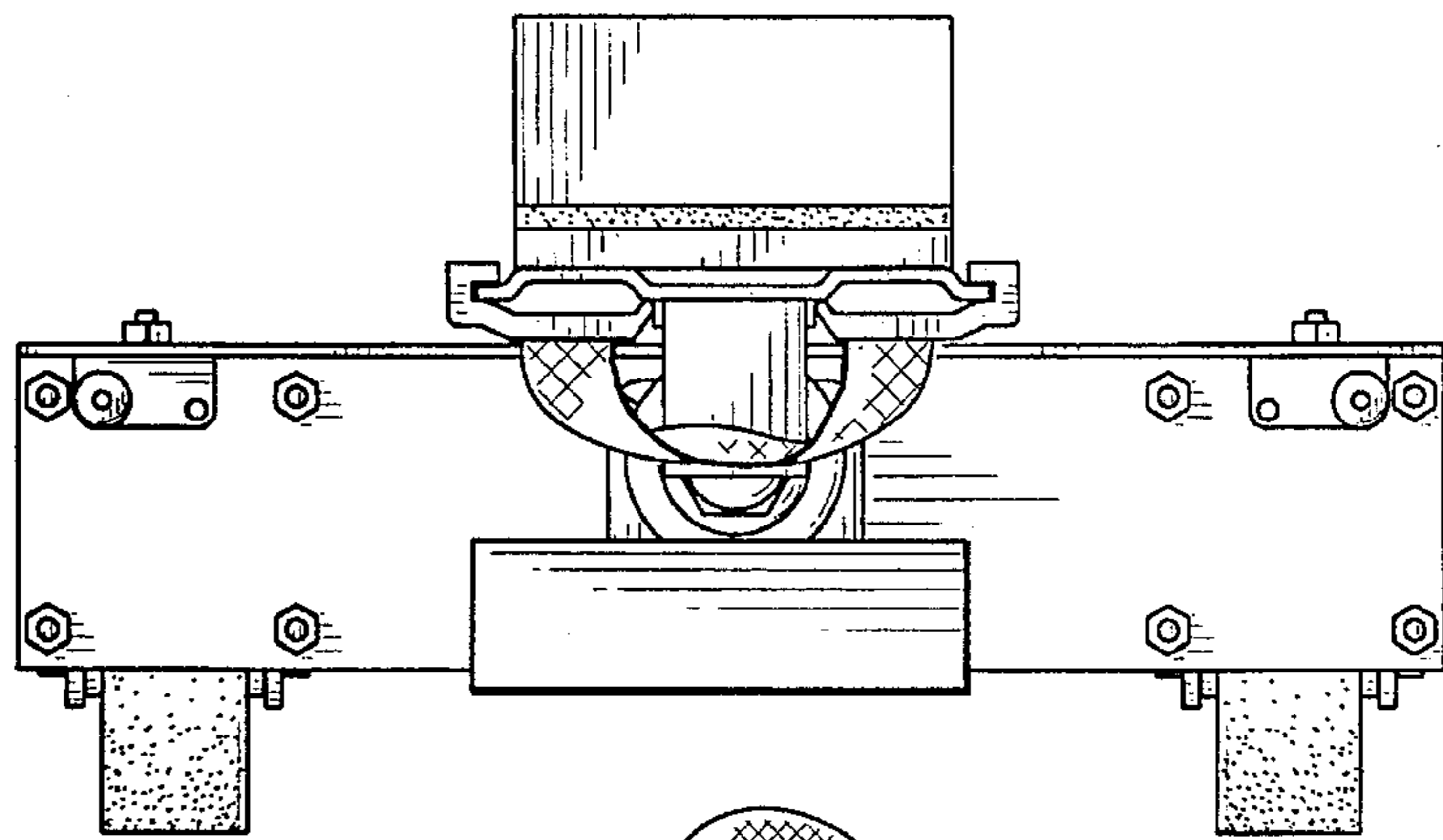


Fig. 3

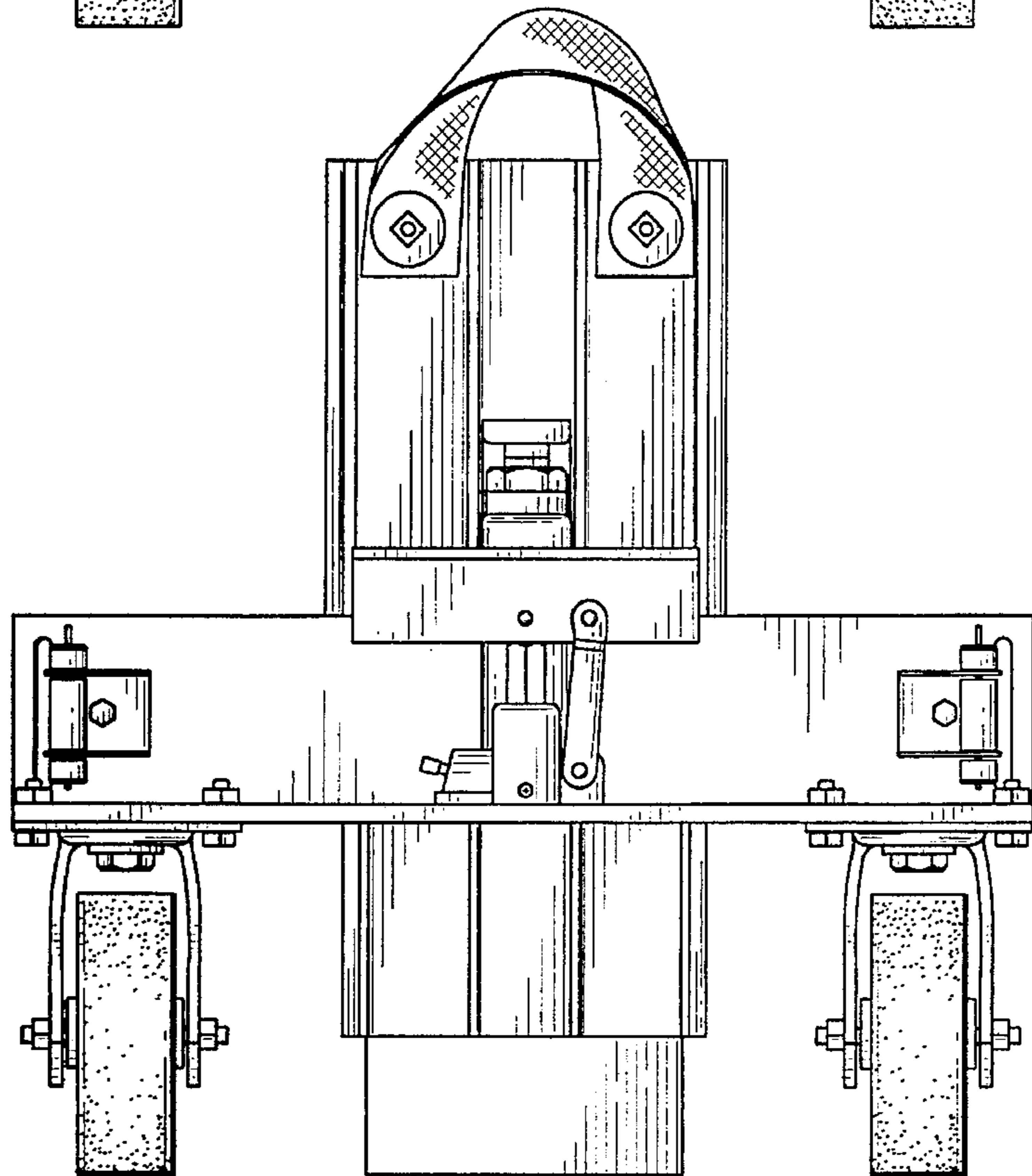


Fig. 4

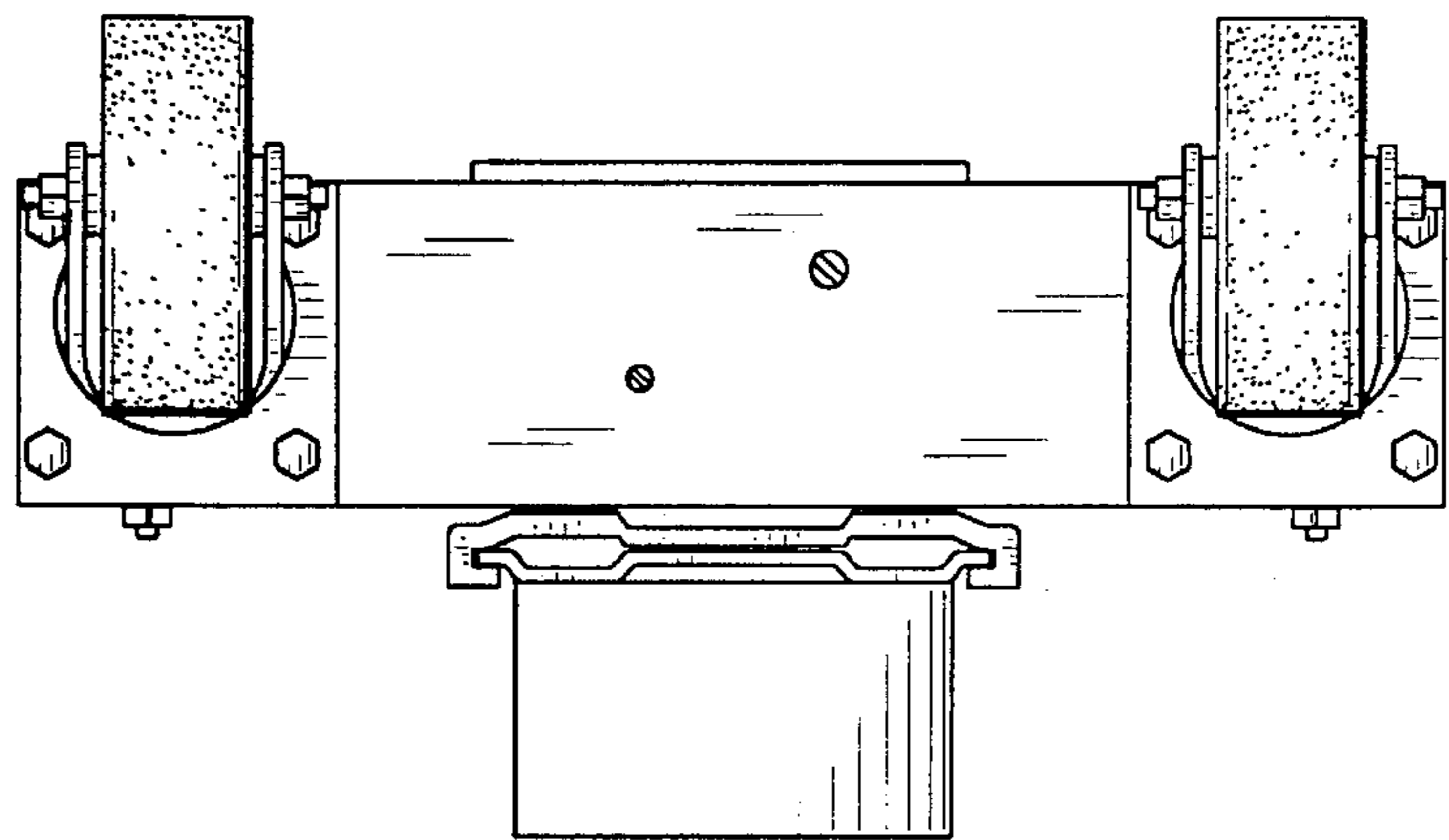


Fig. 7

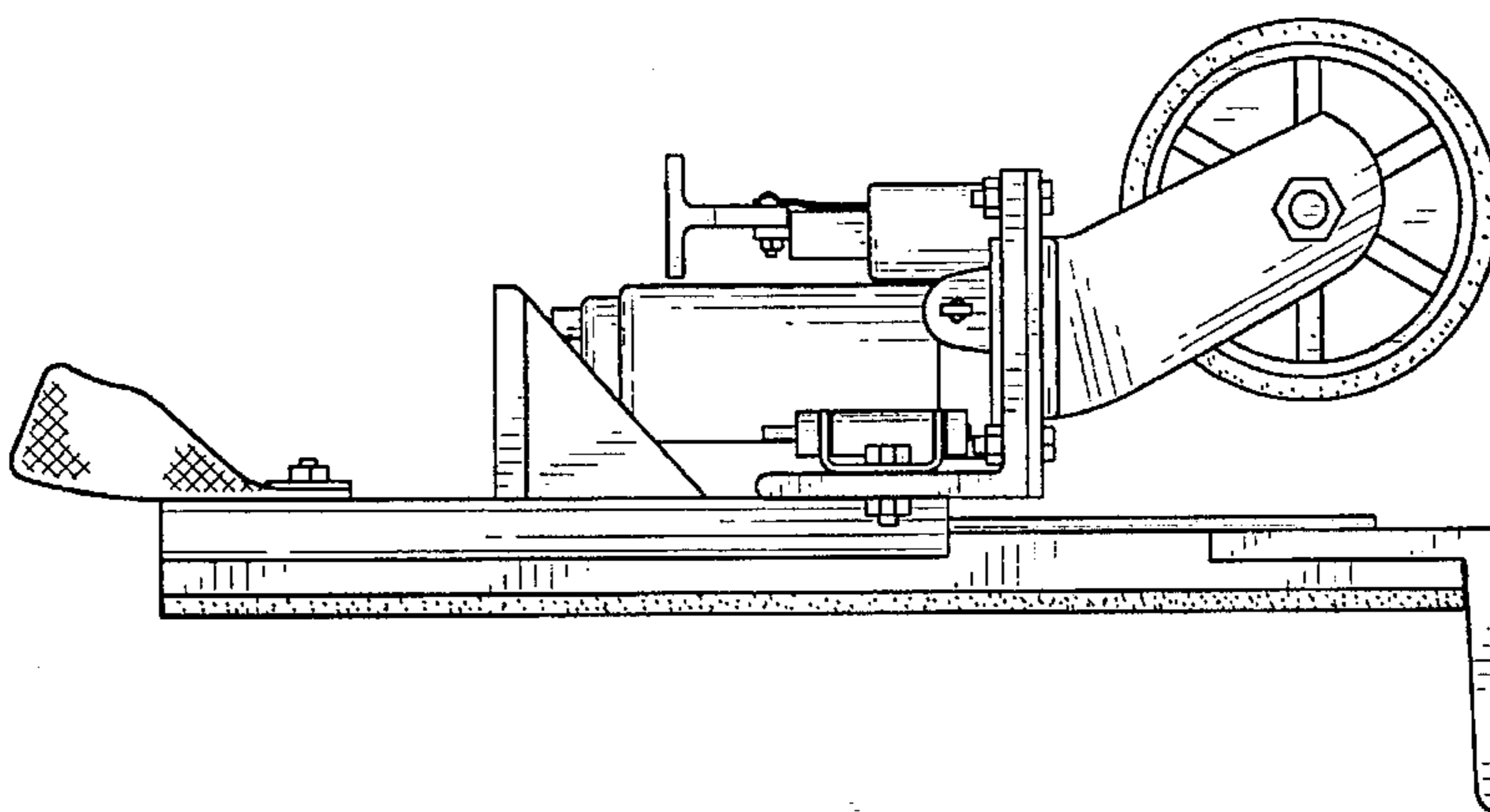


Fig. 6

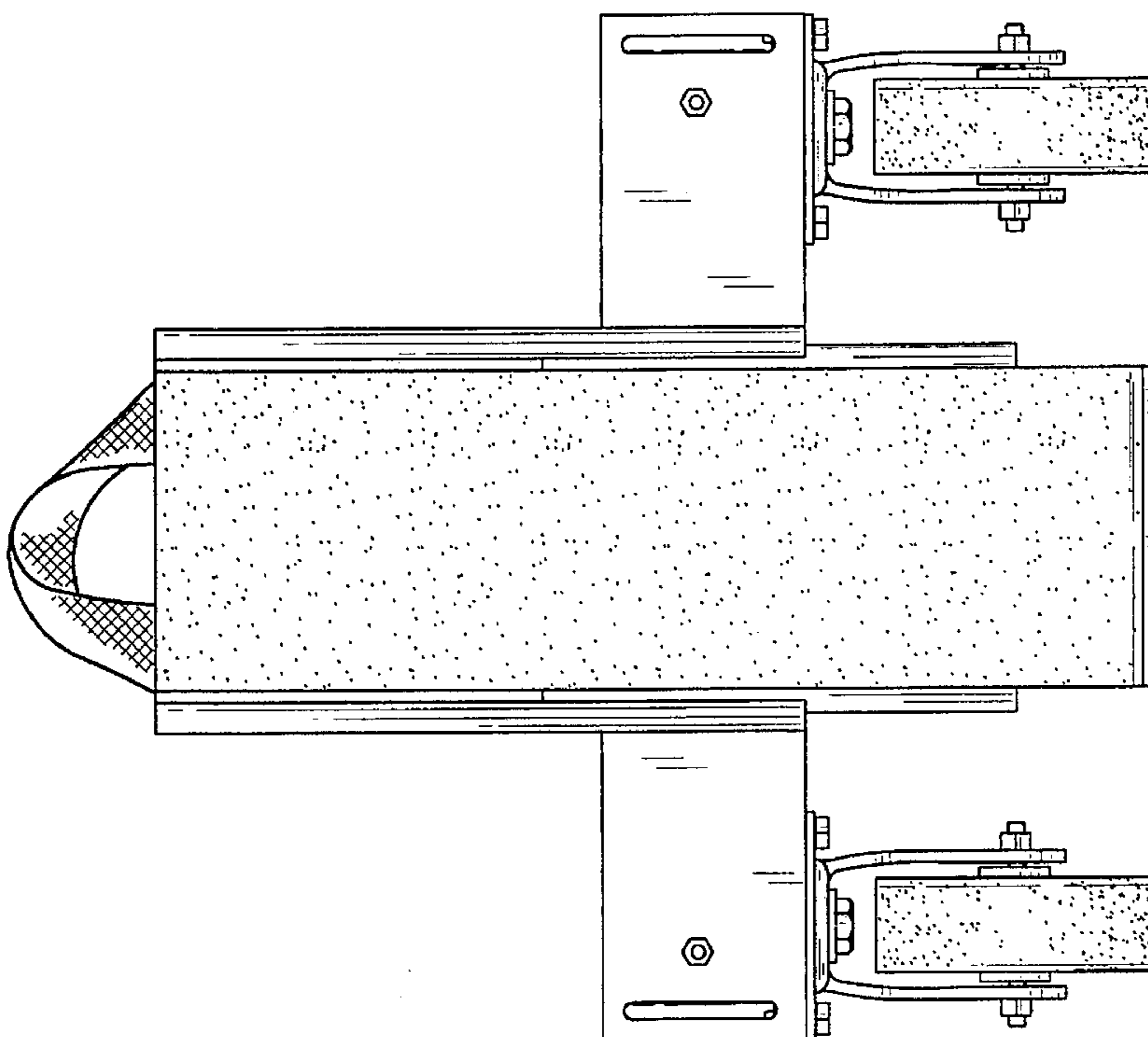


Fig. 5

