



US00D375389S

United States Patent [19]

Belanger et al.

[11] Patent Number: **Des. 375,389**

[45] Date of Patent: ****Nov. 5, 1996**

[54] **ARCH FOR A VEHICLE WASH**

[75] Inventors: **Michael J. Belanger**, Walled Lake;
Barry S. Turner, Livonia, both of Mich.

[73] Assignee: **Belanger, Inc.**, Northville, Mich.

[**] Term: **14 Years**

[21] Appl. No.: **31,977**

[22] Filed: **Dec. 12, 1994**

[52] U.S. Cl. **D32/4; D12/222**

[58] Field of Search **D32/4; 280/756, 280/163; 52/87-89; 134/6; 15/53, 53.1; 182/90; D12/222; D25/60**

2,676,600 4/1954 Vani et al. D32/4 X
 2,788,009 4/1957 Lones D32/4 X
 3,370,596 2/1968 Daum et al. D32/4 X
 3,498,302 3/1970 Null D32/4 X
 4,935,638 6/1990 Straka 280/163 X
 5,337,437 8/1994 Hingle 15/53.1 X

Primary Examiner—James M. Gandy
Assistant Examiner—Stacia Sinuik
Attorney, Agent, or Firm—Young & Basile, P.C.

[57] CLAIM

The ornamental design for an arch for a vehicle wash, as shown and described.

DESCRIPTION

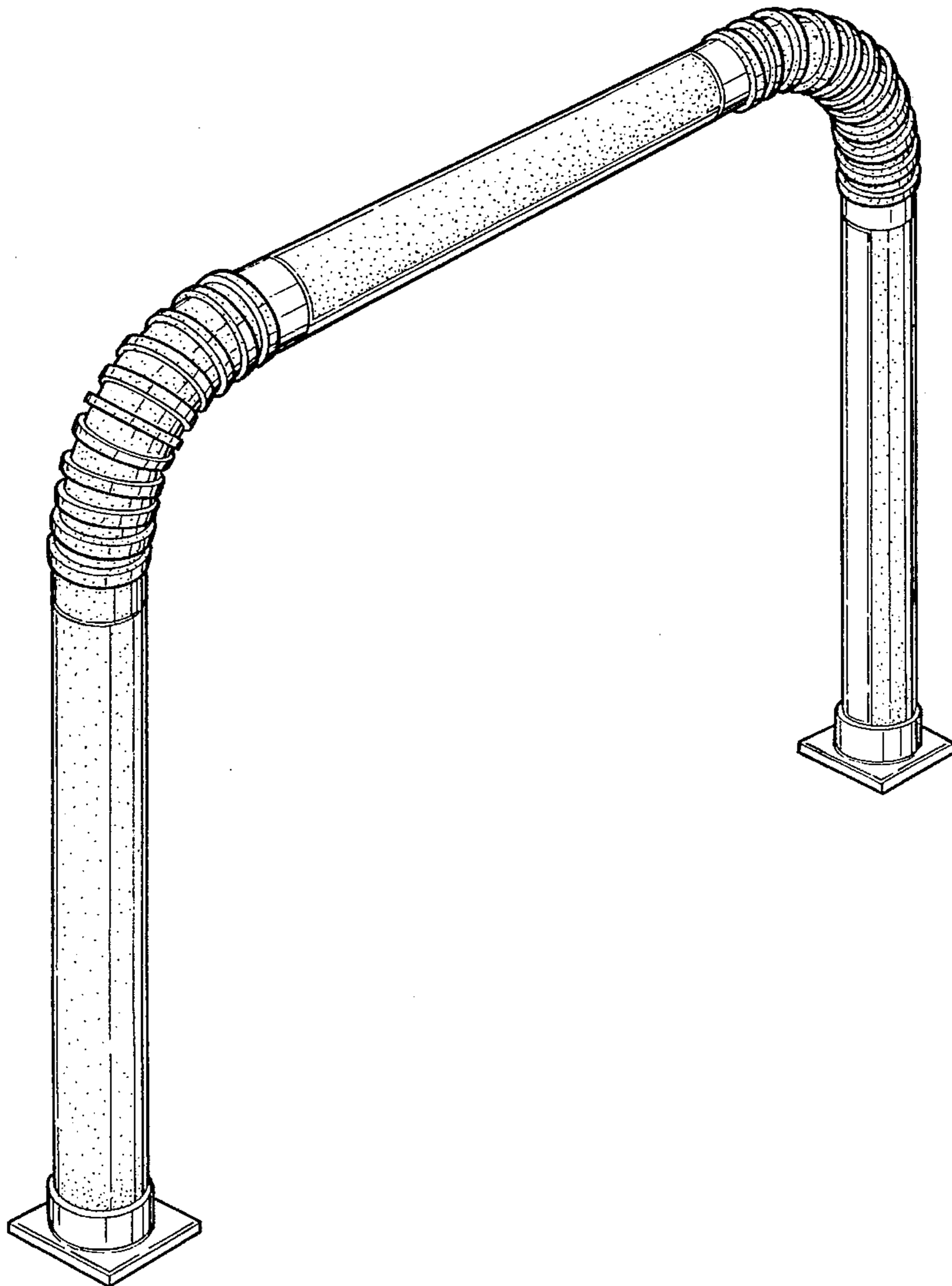
FIG. 1 is a perspective view of an arch for a vehicle wash showing our new design;
 FIG. 2 is a front elevational view thereof, the rear elevational view being identical; and,
 FIG. 3 is a right side elevational view thereof, the left side elevational view being identical.

1 Claim, 2 Drawing Sheets

[56] References Cited

U.S. PATENT DOCUMENTS

D. 212,903 12/1968 Smith D32/4
 D. 236,281 8/1975 Hanna D32/4
 D. 236,282 8/1975 Hanna D32/4



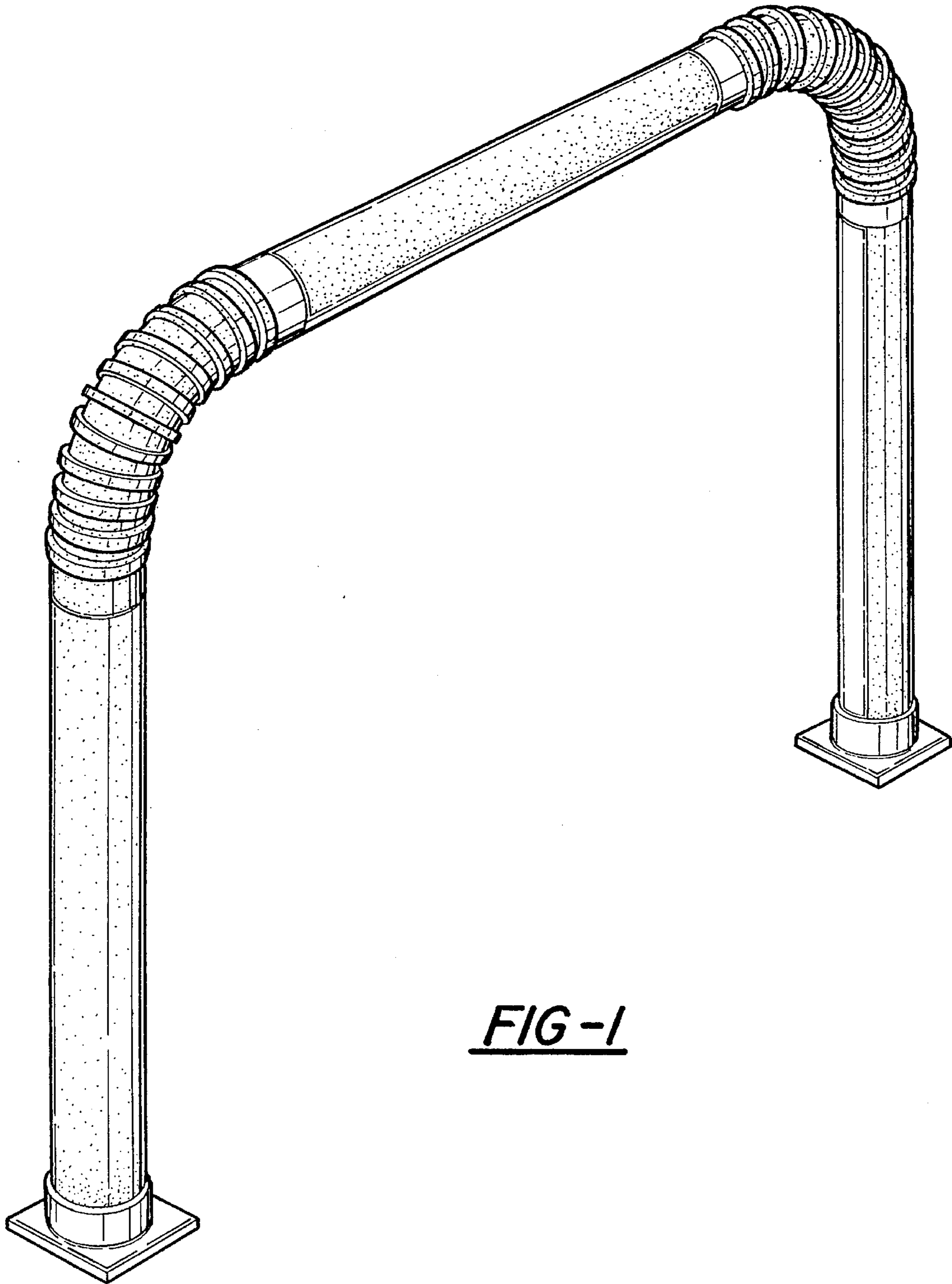


FIG-1

FIG-3

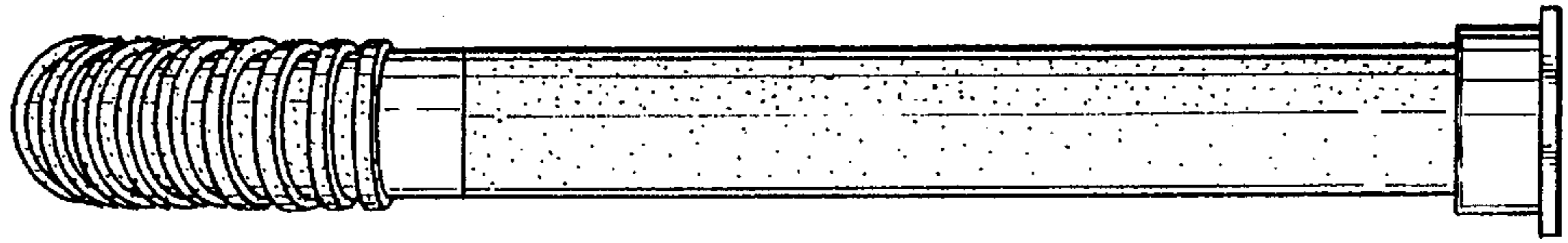


FIG-2

