



US00D375388S

United States Patent [19]

Tsugita

[11] Patent Number: **Des. 375,388**

[45] Date of Patent: ****Nov. 5, 1996**

[54] **CAT VERANDA**

[76] Inventor: **Betty C. Tsugita**, P.O. Box 391180,
Mountain View, Calif. 94039-1180

[**] Term: **14 Years**

[21] Appl. No.: **38,064**

[22] Filed: **Apr. 27, 1995**

[52] U.S. Cl. **D30/118; D25/62**

[58] Field of Search **D30/108, 114,
D30/118, 119, 160; 119/15, 19, 165, 166,
167, 168, 706, 28.5; D25/62; D6/382, 384**

[56] **References Cited**

U.S. PATENT DOCUMENTS

D. 322,872	12/1991	Holbrook	D30/160
D. 344,346	2/1994	Lobozzo	D25/62
5,141,076	8/1992	Joyce et al.	D25/62

Primary Examiner—Louis S. Zarfes
Assistant Examiner—Gregory Andoll
Attorney, Agent, or Firm—Burns, Doane, Swecker & Mathis

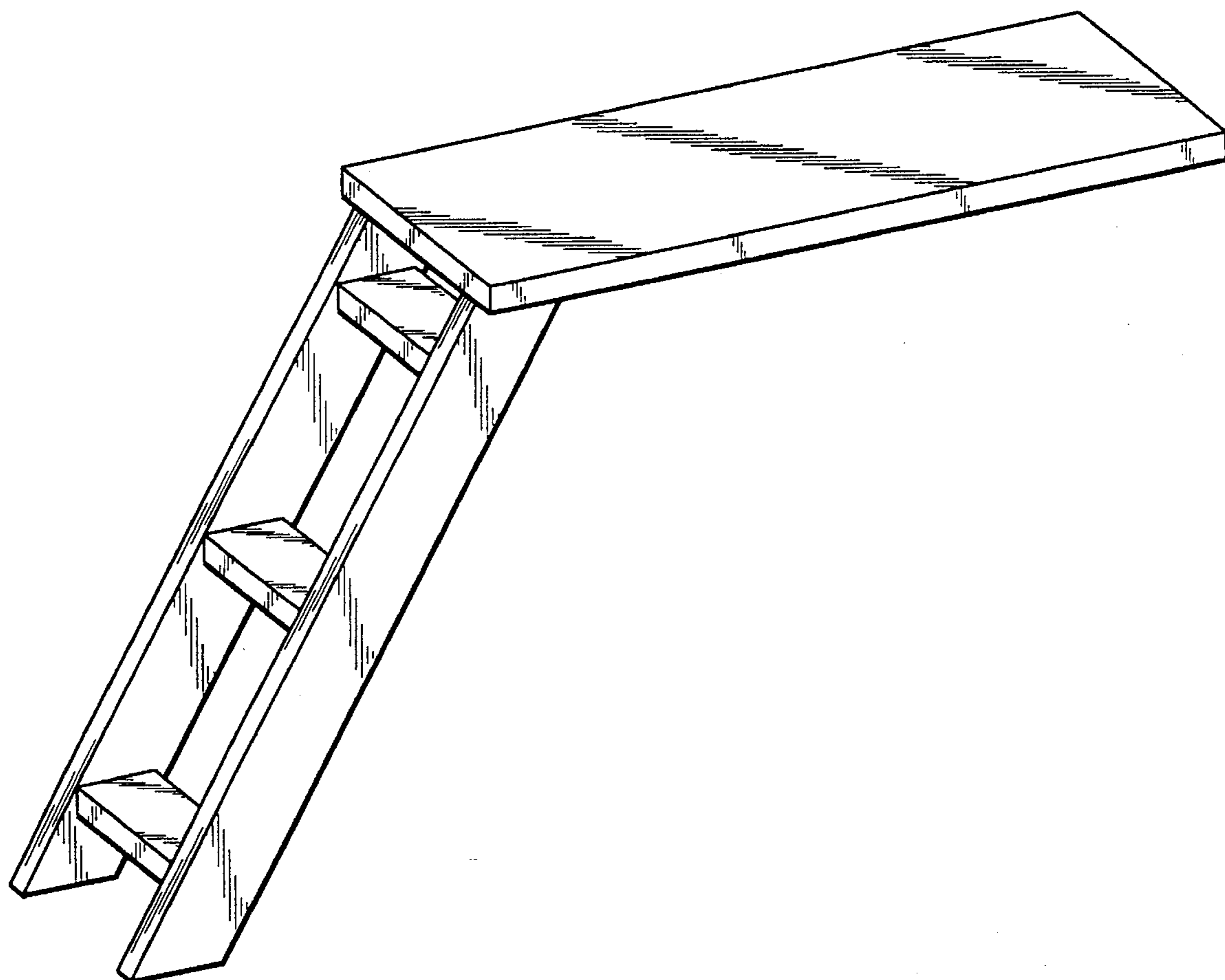
[57] **CLAIM**

The ornamental design for a cat veranda, as shown and described.

DESCRIPTION

FIG. 1 is a perspective view of a cat veranda, showing my new design;
FIG. 2 is a front elevation view thereof;
FIG. 3 is a left side elevational view thereof; the right side being a mirror image thereof;
FIG. 4 is a rear elevational view thereof;
FIG. 5 is a top plan view thereof; and,
FIG. 6 is a bottom plan view thereof.

1 Claim, 3 Drawing Sheets



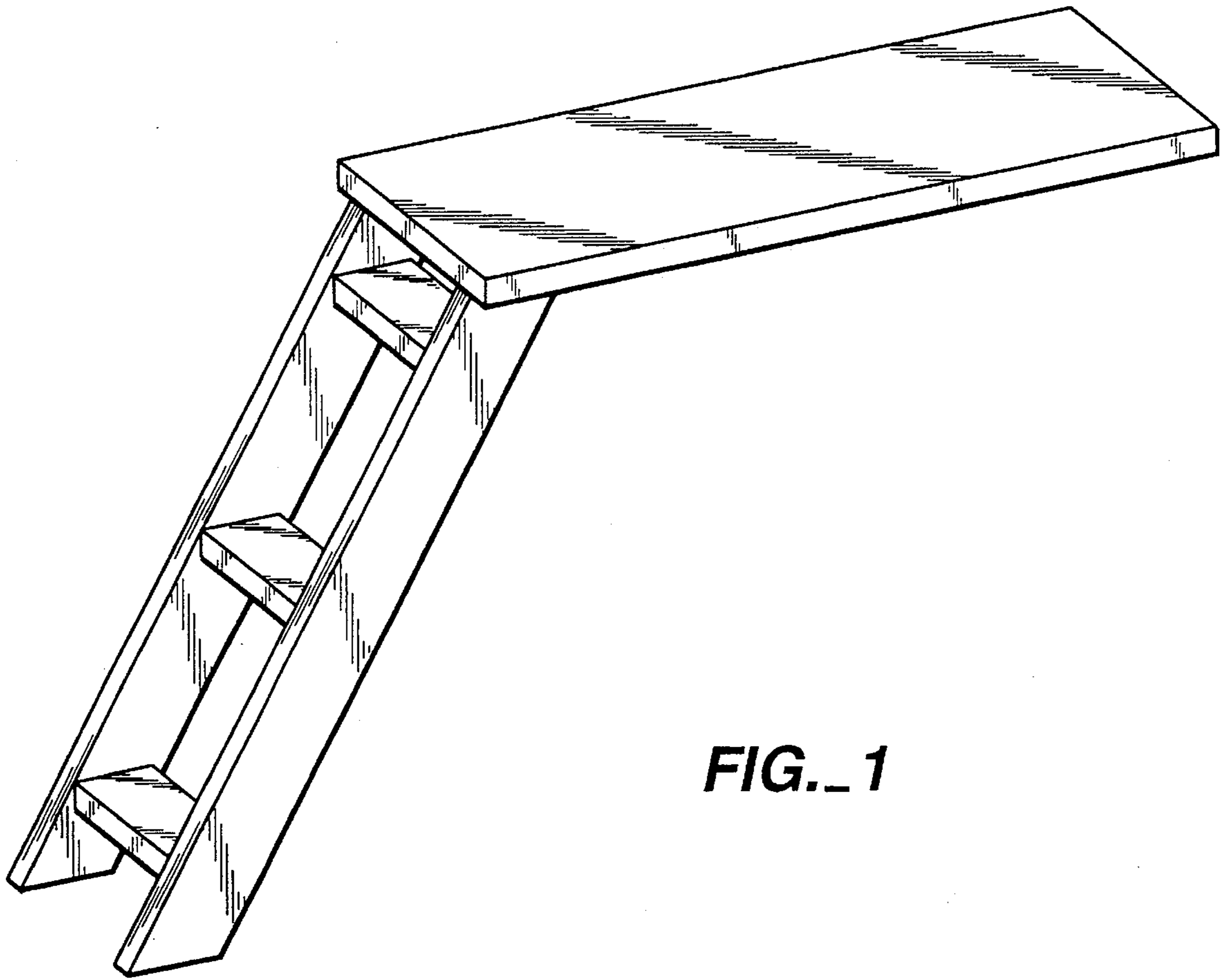


FIG. 1

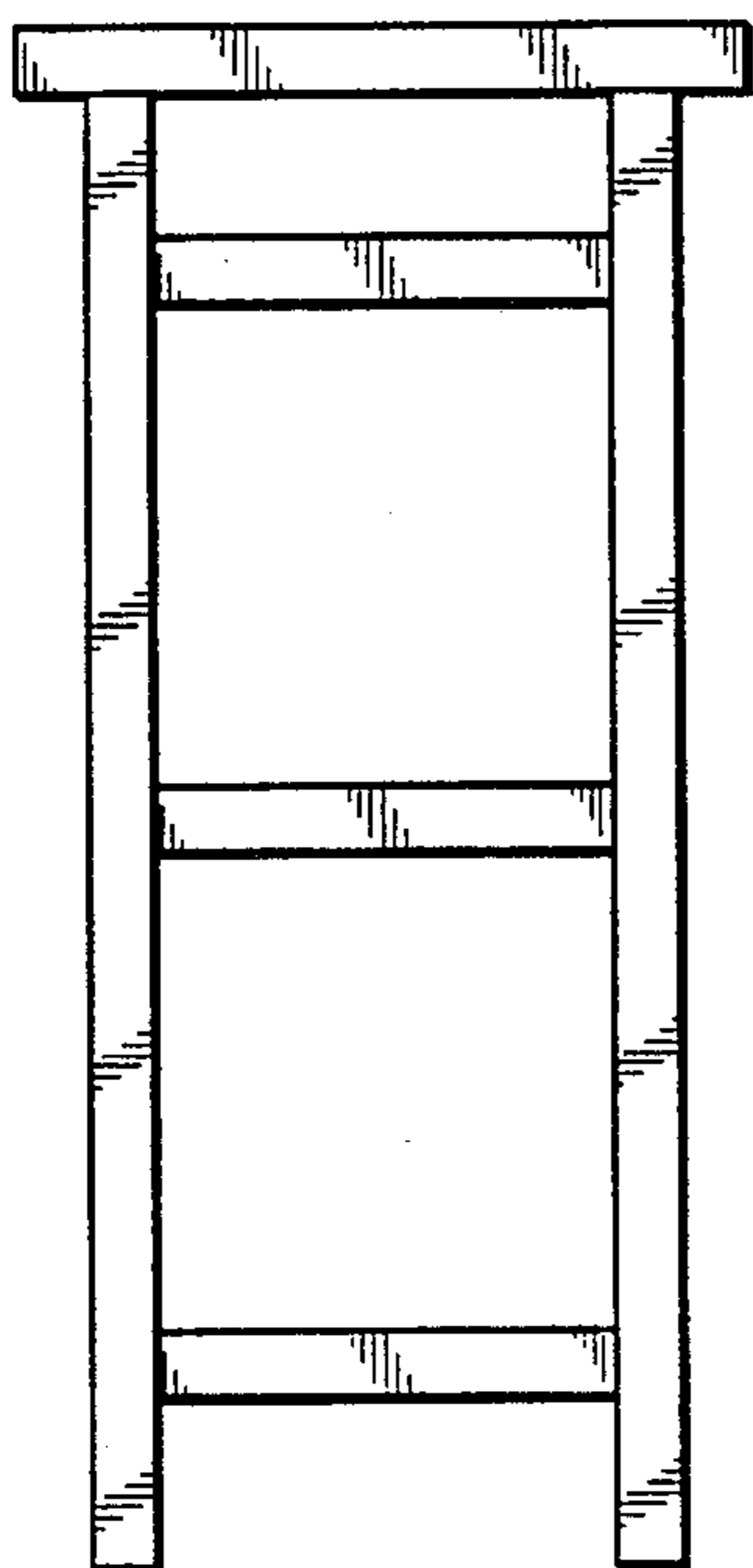


FIG. 2

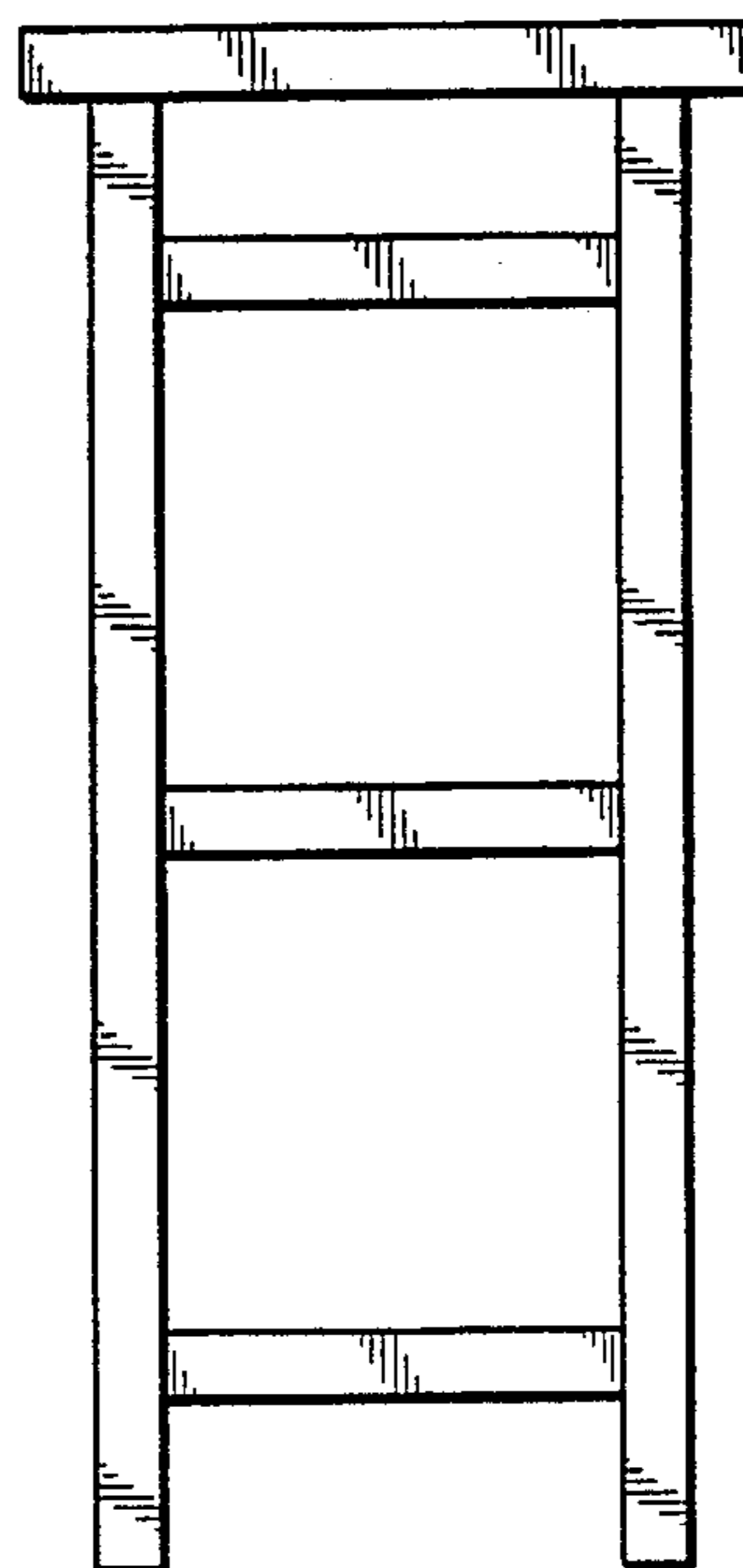


FIG. 4

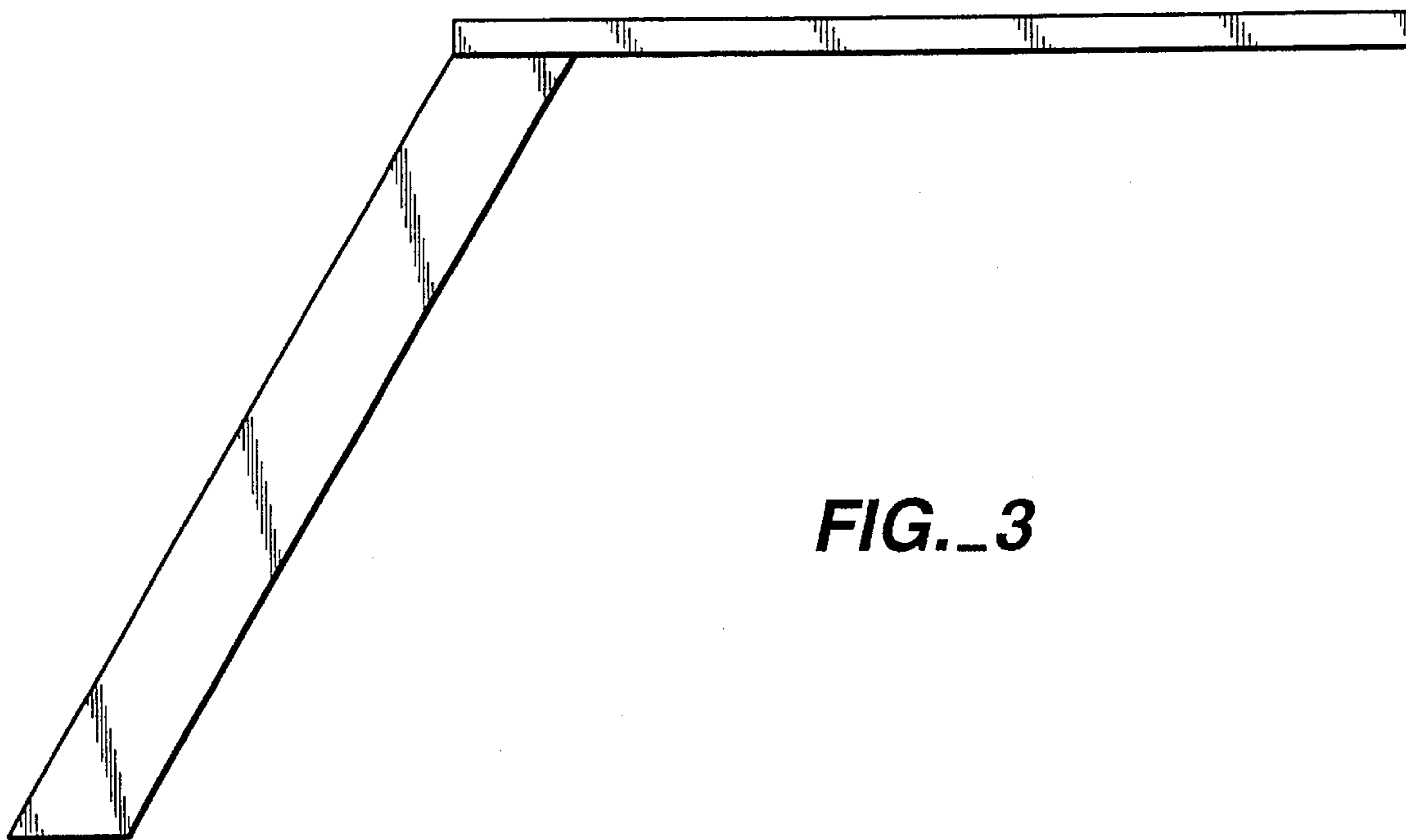


FIG. 3

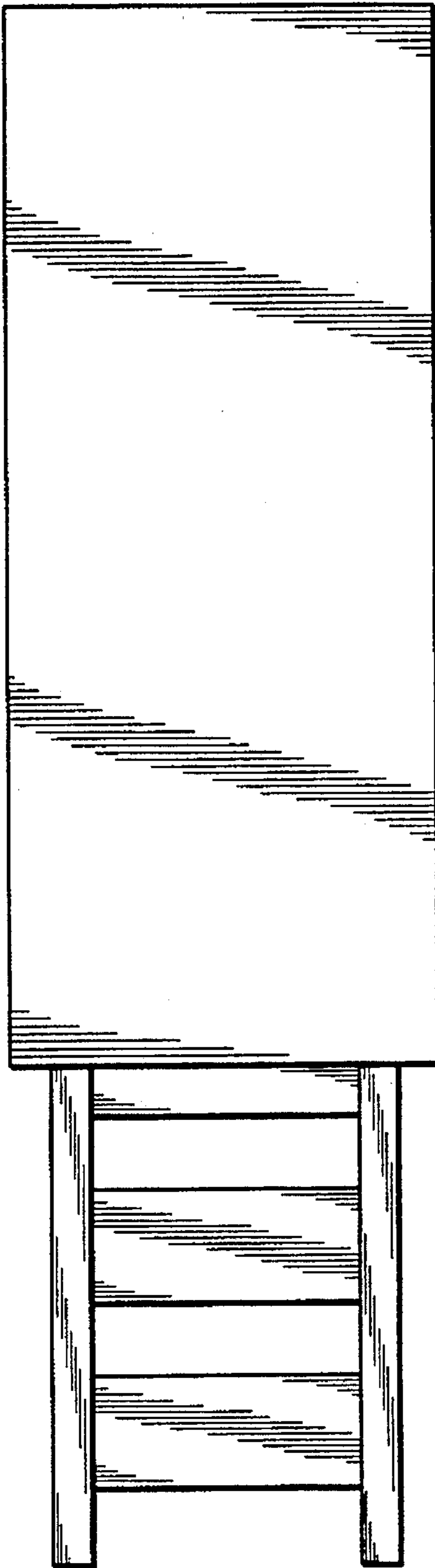


FIG. 5

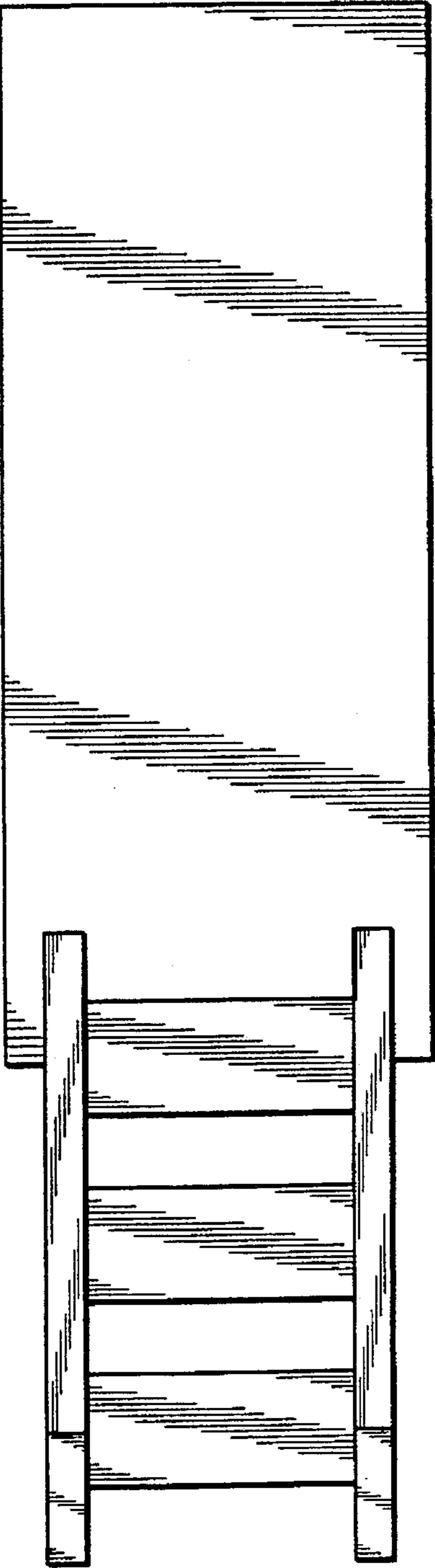


FIG. 6