



US00D375385S

**United States Patent** [19]  
**Mock**

[11] **Patent Number:** **Des. 375,385**  
[45] **Date of Patent:** **\*\*Nov. 5, 1996**

[54] **SHAMPOO TRAY**  
[76] Inventor: **Dora E. Mock**, 9 Saxonney Cir.,  
Flemington, N.J. 08822  
[\*\*] Term: **14 Years**  
[21] Appl. No.: **42,296**  
[22] Filed: **Aug. 7, 1995**  
[52] U.S. Cl. .... **D28/20**  
[58] Field of Search ..... D28/9, 10, 20;  
D23/289, 308; 4/515-518, 520-523; 132/212

5,203,358 4/1993 Eytcheson ..... 132/212

**FOREIGN PATENT DOCUMENTS**

636326 2/1995 European Pat. Off. .... 132/212  
986790 8/1951 France ..... 132/212  
38541 4/1887 Germany ..... 4/521  
278849 10/1930 Italy ..... 4/518

*Primary Examiner*—Terry A. Wallace  
*Assistant Examiner*—C. Tuttle

[57] **CLAIM**

The ornamental design for a shampoo tray, as shown and described.

[56] **References Cited**

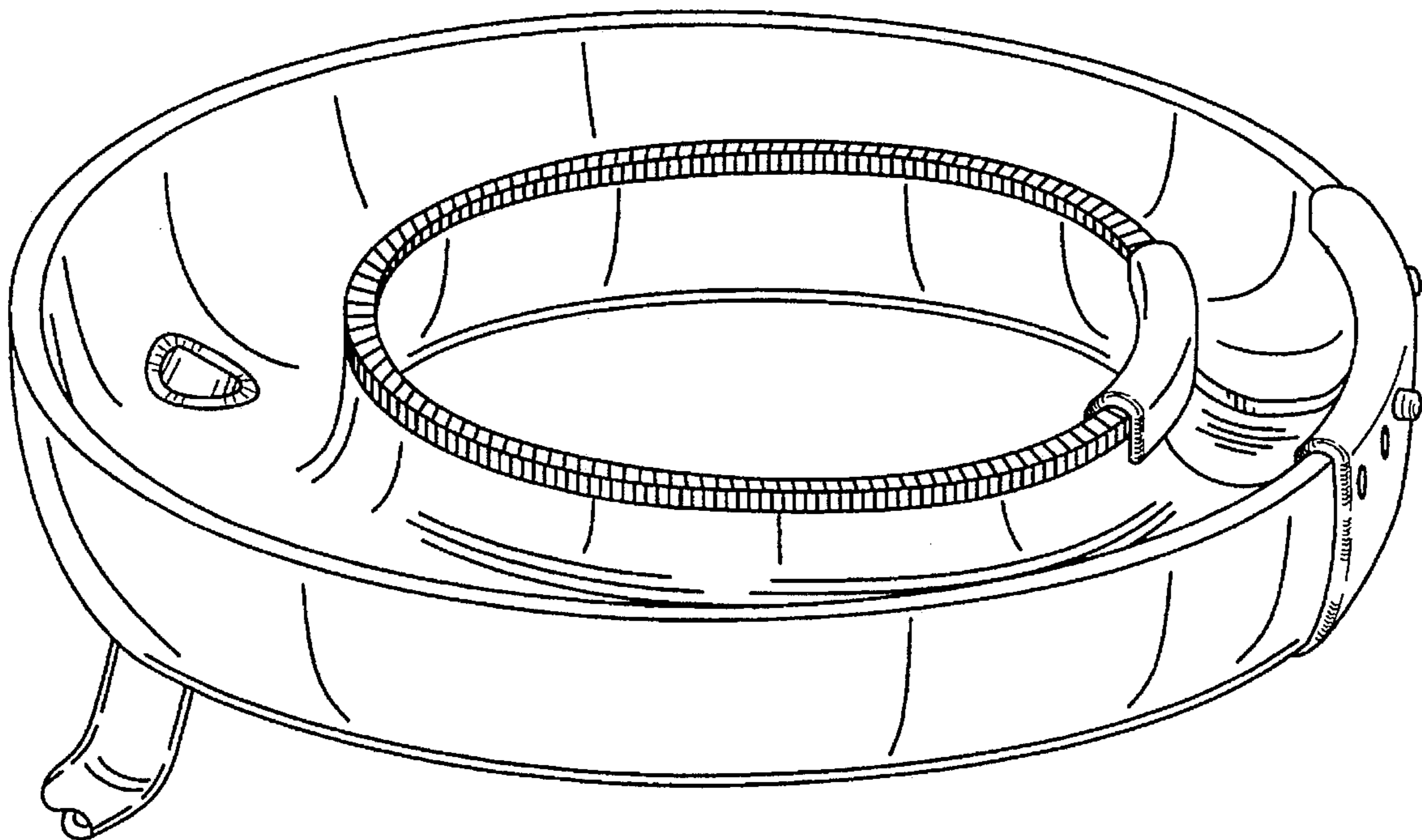
**U.S. PATENT DOCUMENTS**

121,921 12/1871 Winn ..... 4/521  
D. 302,053 7/1989 Bromberger ..... D28/20  
D. 346,242 4/1994 McNally ..... D28/20  
367,157 7/1887 Norvotnick ..... 4/522  
1,429,950 9/1922 Jones et al. .... 4/515  
1,806,155 5/1931 Farrelly ..... 4/521  
1,992,769 2/1935 Post ..... D28/10 X  
2,243,505 5/1941 Mercer ..... 4/521 X  
2,434,279 1/1948 McDonough et al. .... 4/522 X  
2,803,292 8/1957 Nyberg ..... D28/10 X  
3,611,442 10/1971 Yazaki ..... 2/174  
4,611,354 9/1986 Jones ..... 2/174

**DESCRIPTION**

FIG. 1 is a perspective view of a shampoo tray showing my new design;  
FIG. 2 is a top plan view thereof;  
FIG. 3 is a bottom plan view thereof;  
FIG. 4 is a right side elevational view thereof;  
FIG. 5 is a rear elevational view thereof; and,  
FIG. 6 is a front elevational view thereof.  
The hose element is shown partially broken away in the various views to indicate indeterminate length.

**1 Claim, 2 Drawing Sheets**



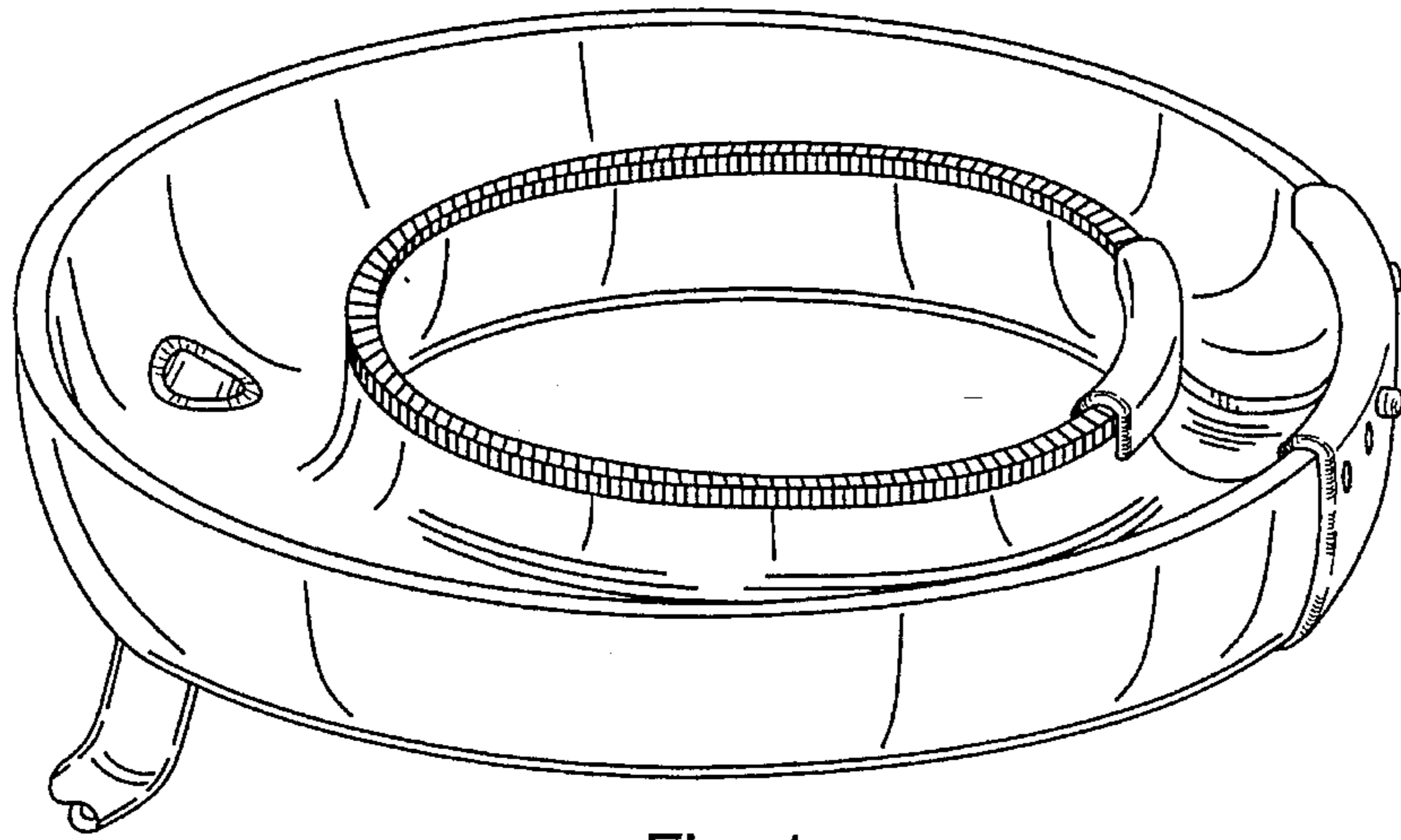


Fig. 1

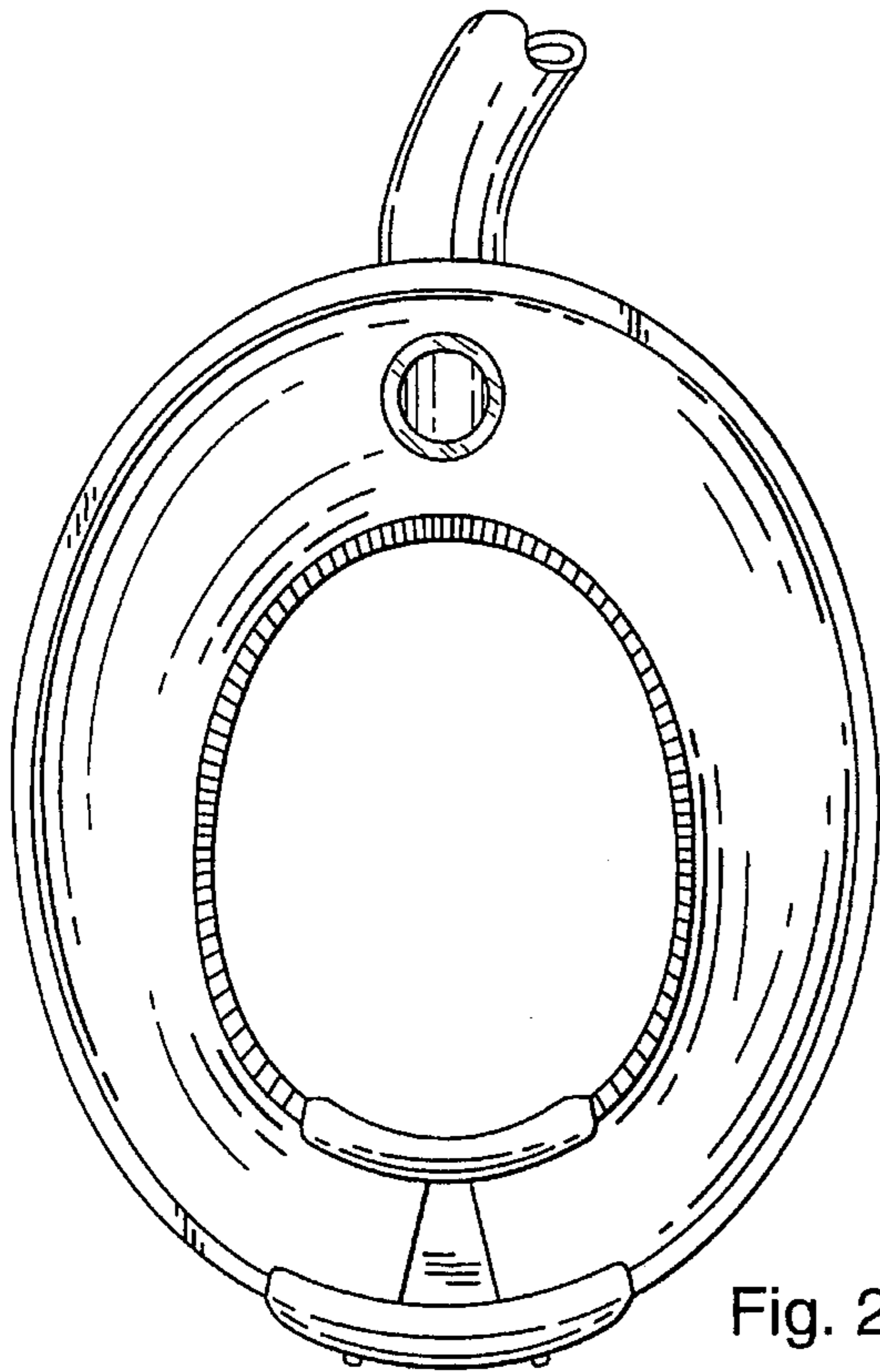


Fig. 2

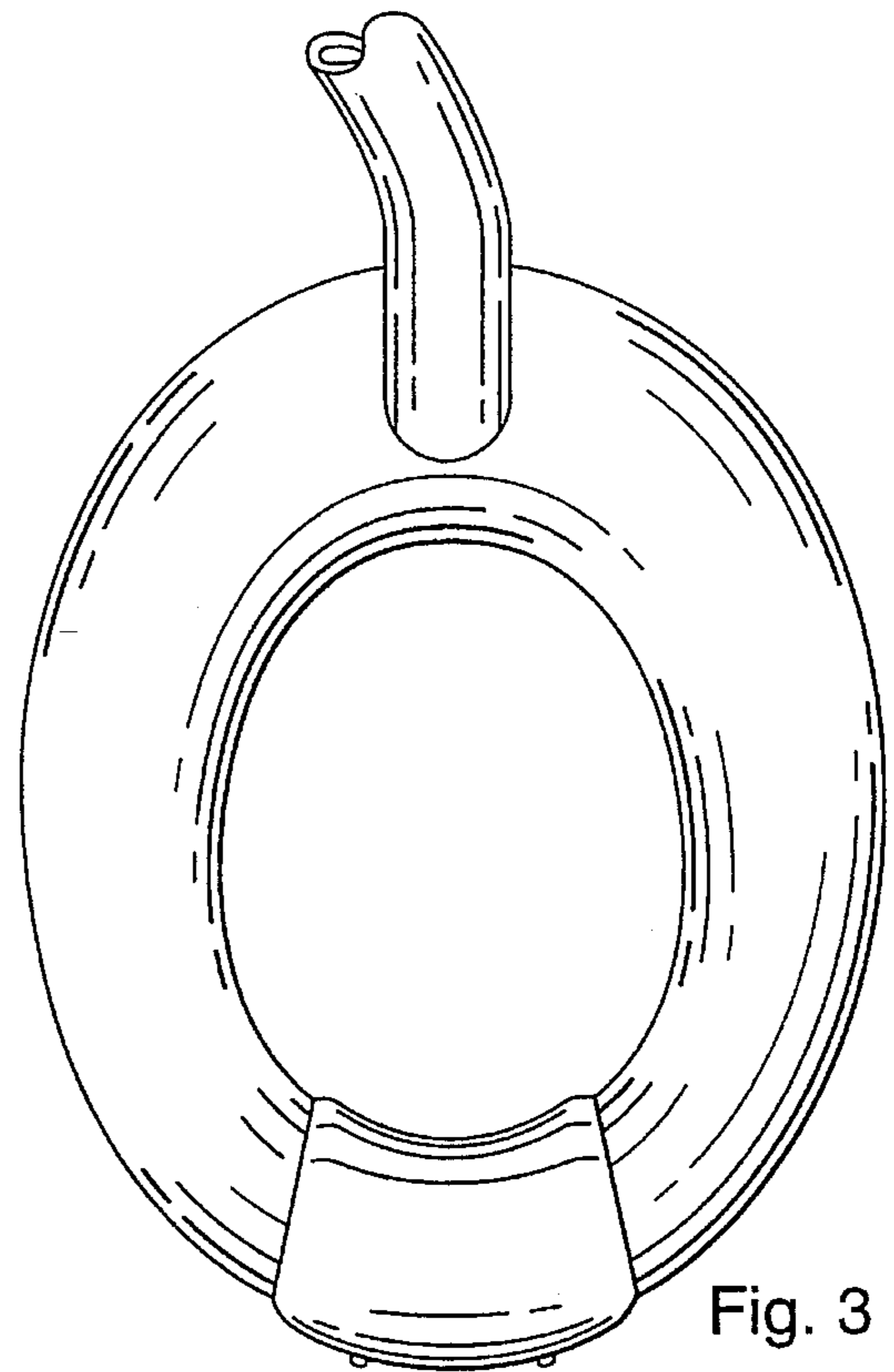


Fig. 3

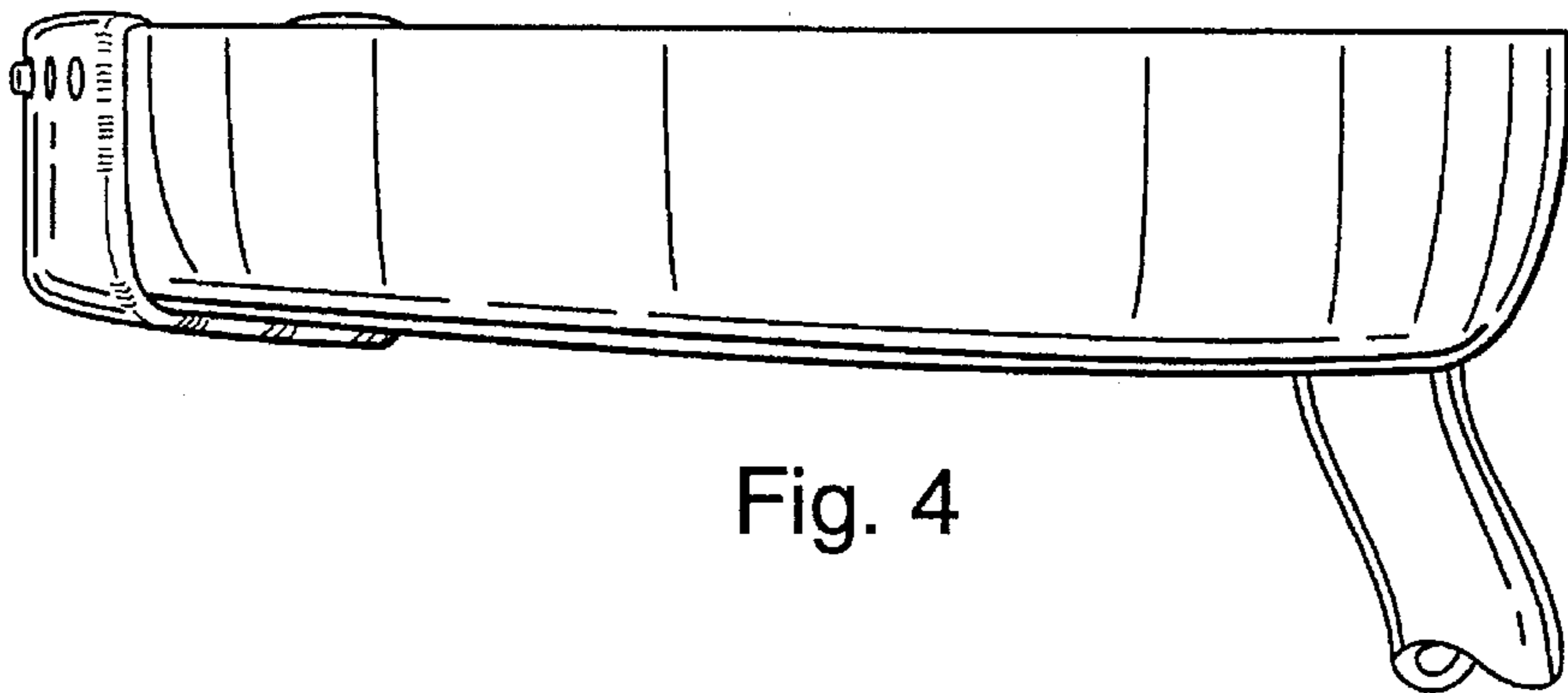


Fig. 4

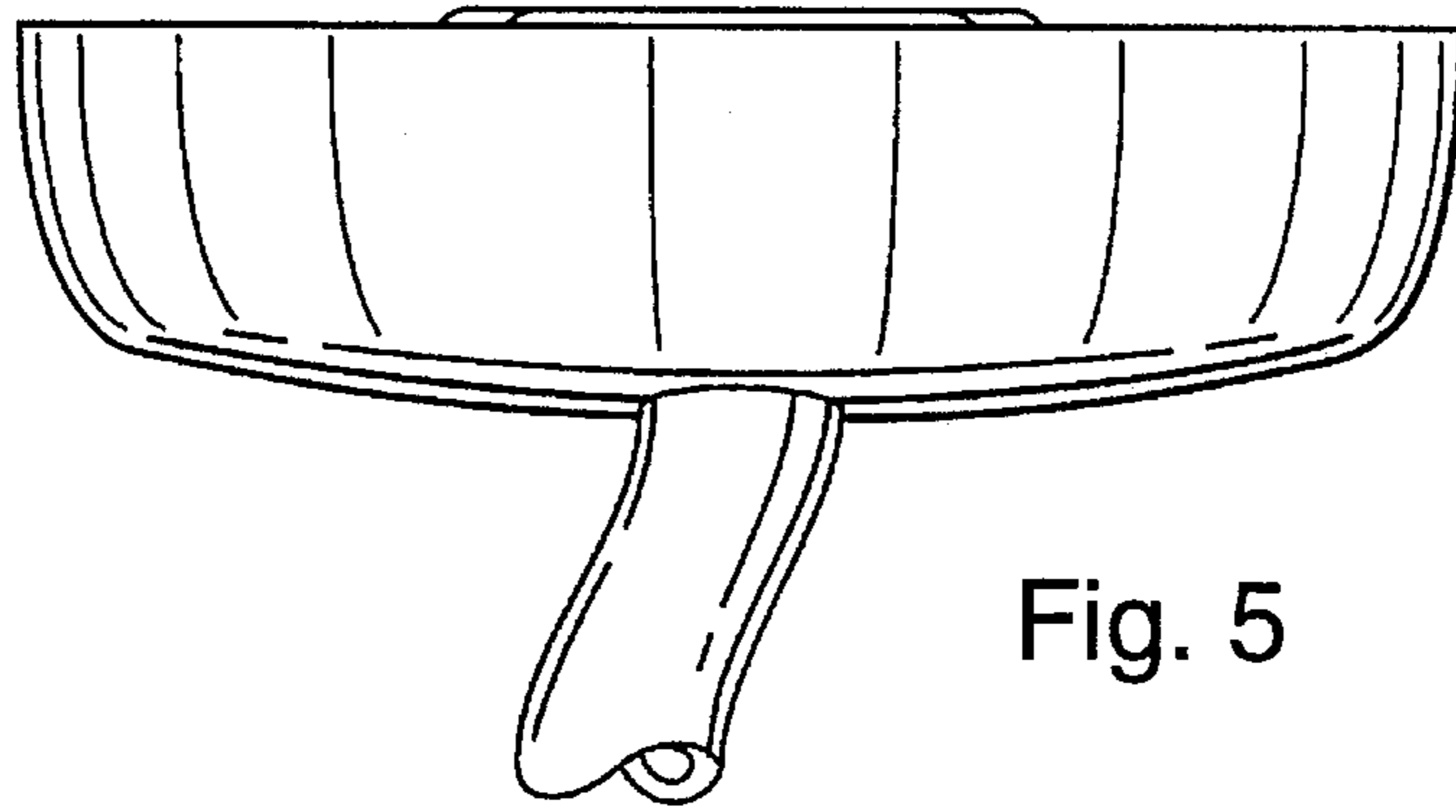


Fig. 5

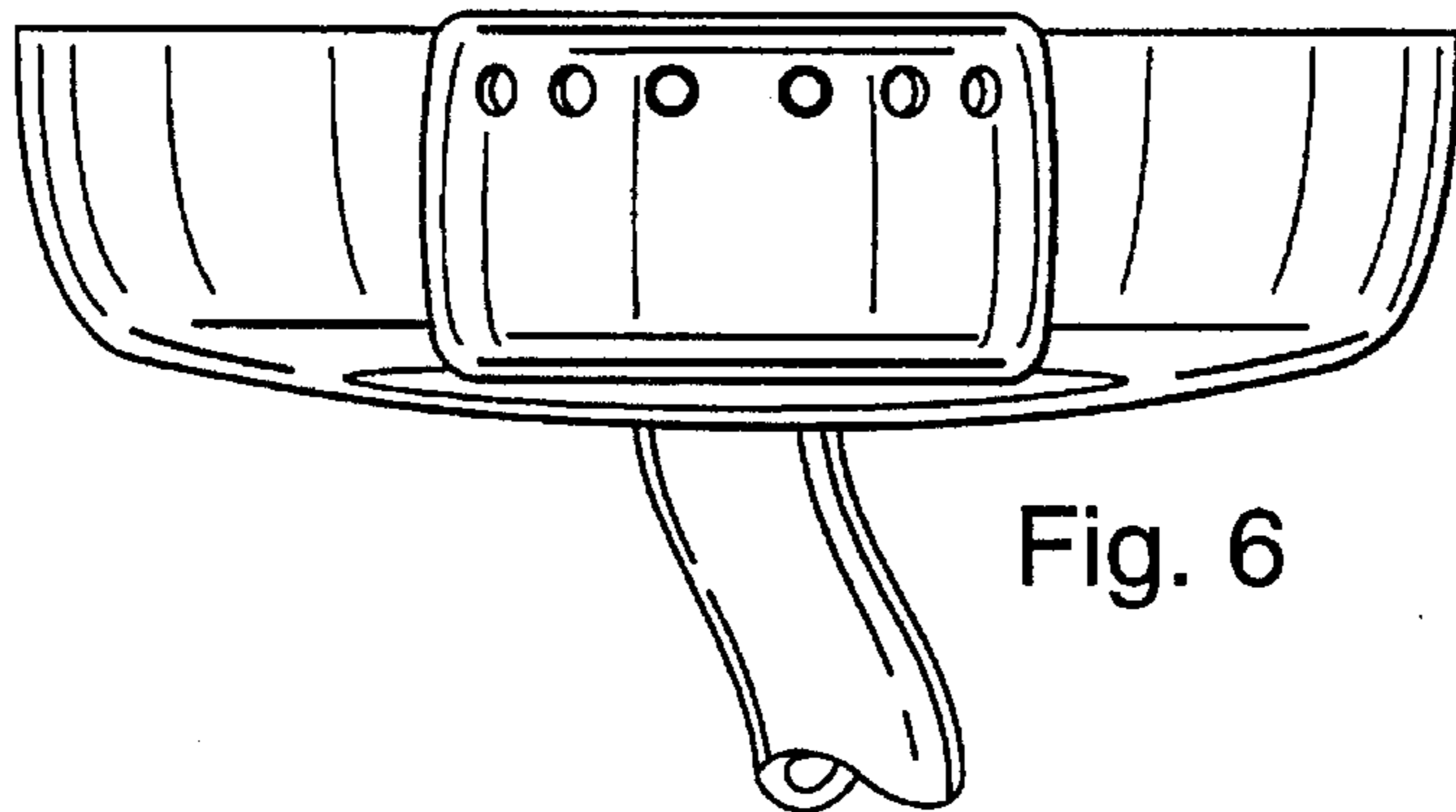


Fig. 6