



US00D375384S

United States Patent [19]

[11] Patent Number: **Des. 375,384**

Baker

[45] Date of Patent: ****Nov. 5, 1996**

[54] **HAIR STYLIST'S VACUUM CAPE**

4,689,830	9/1987	Williams	2/50
5,054,124	10/1991	Darvas	2/50
5,230,100	7/1993	Lock-Jones	2/50

[76] Inventor: **Peter Baker**, 221 S. Haven Ave., Medford, N.Y. 11763-4072

FOREIGN PATENT DOCUMENTS

[**] Term: **14 Years**

260027	5/1965	Australia	15/339
449756	7/1948	Canada	2/50
986790	8/1951	France	132/212

[21] Appl. No.: **40,656**

[22] Filed: **Jun. 23, 1995**

[52] U.S. Cl. **D28/9**

[58] Field of Search D28/9, 10, 44; D32/30, 31; 132/212; 2/50; 15/301, 302, 339, 314; 30/133; 4/521; D2/860, 861, 823, 824

Primary Examiner—Ted Shooman
Assistant Examiner—C. Tuttle
Attorney, Agent, or Firm—John D. Gugliotta

[57] CLAIM

The ornamental design for a hair stylist's vacuum cape, as shown and described.

[56] References Cited

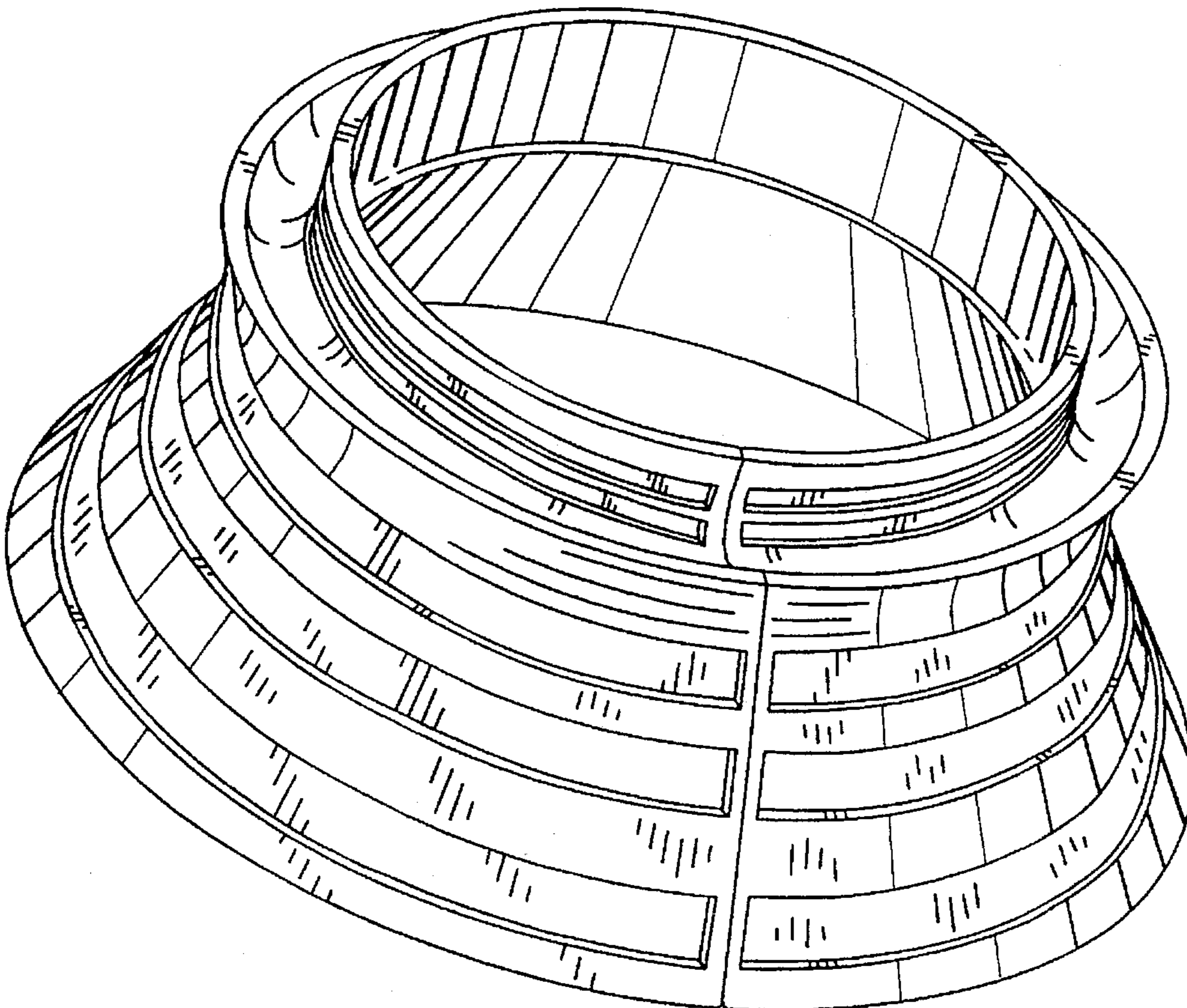
U.S. PATENT DOCUMENTS

D. 313,883	1/1991	Fleming	D2/861
D. 343,750	2/1994	Walt	D6/514
825,961	7/1906	Deckert	15/314 X
1,438,099	12/1922	De Velasco	4/521 X
1,560,347	11/1925	Gambon	132/212
1,635,613	7/1927	Ellerhorst	132/212
1,837,848	12/1931	Brothers	2/50
2,161,350	6/1939	Hartzman	132/212
2,243,505	5/1941	Mercer	2/50
3,693,634	9/1972	Gilbert	132/212
3,994,042	11/1976	Zakis	15/312.1

DESCRIPTION

FIG. 1 is a top and front perspective view of a hair stylist's vacuum cape showing my new design;
FIG. 2 is a rear elevation view;
FIG. 3 is a bottom plan thereof;
FIG. 4 is a top plan thereof;
FIG. 5 is a cross sectional view thereof taken along line 5—5 shown in FIG. 4; and,
FIG. 6 is a bottom plan showing the hair stylist's vacuum cap in an opened configuration.

1 Claim, 2 Drawing Sheets



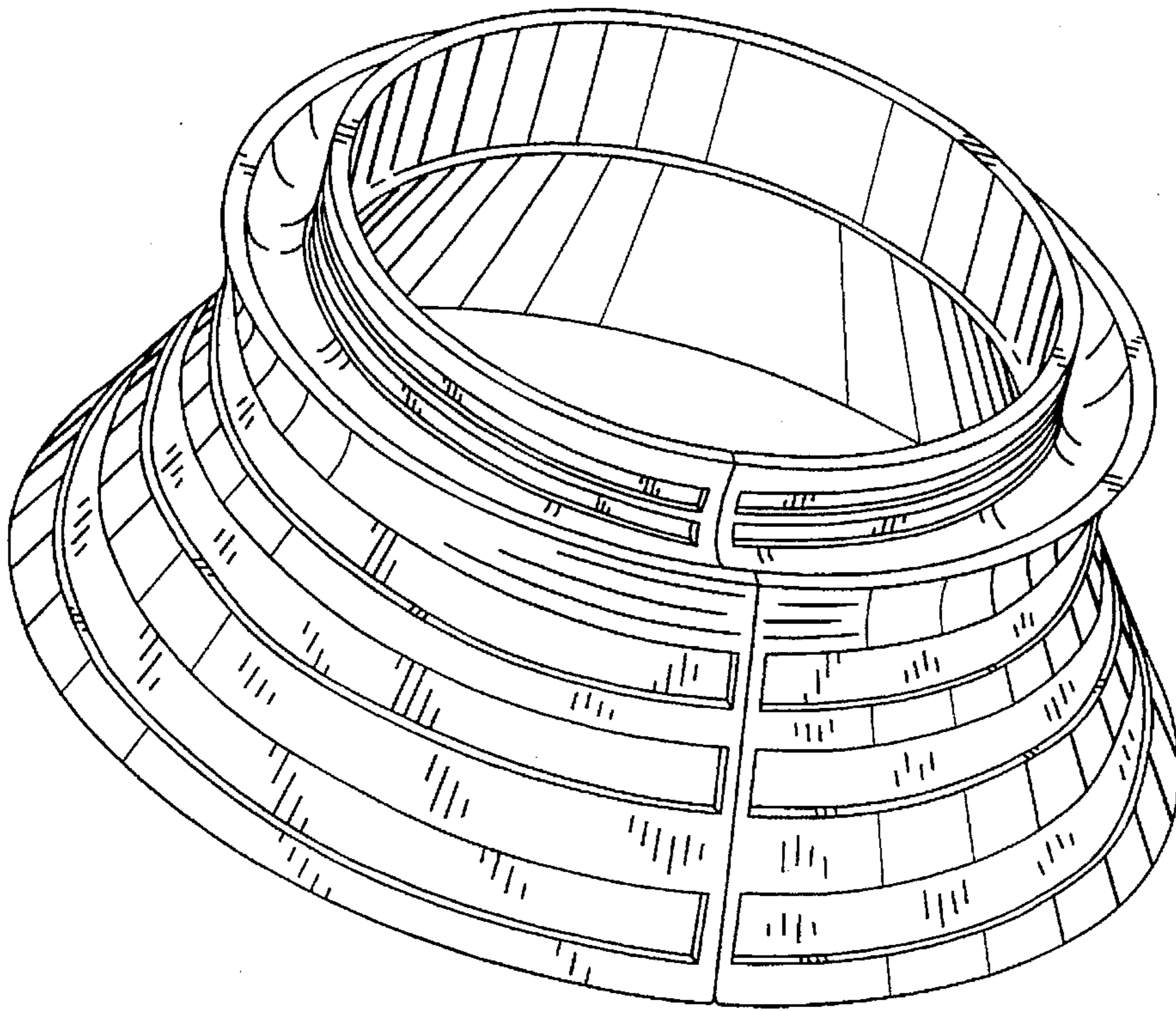


Fig. 1

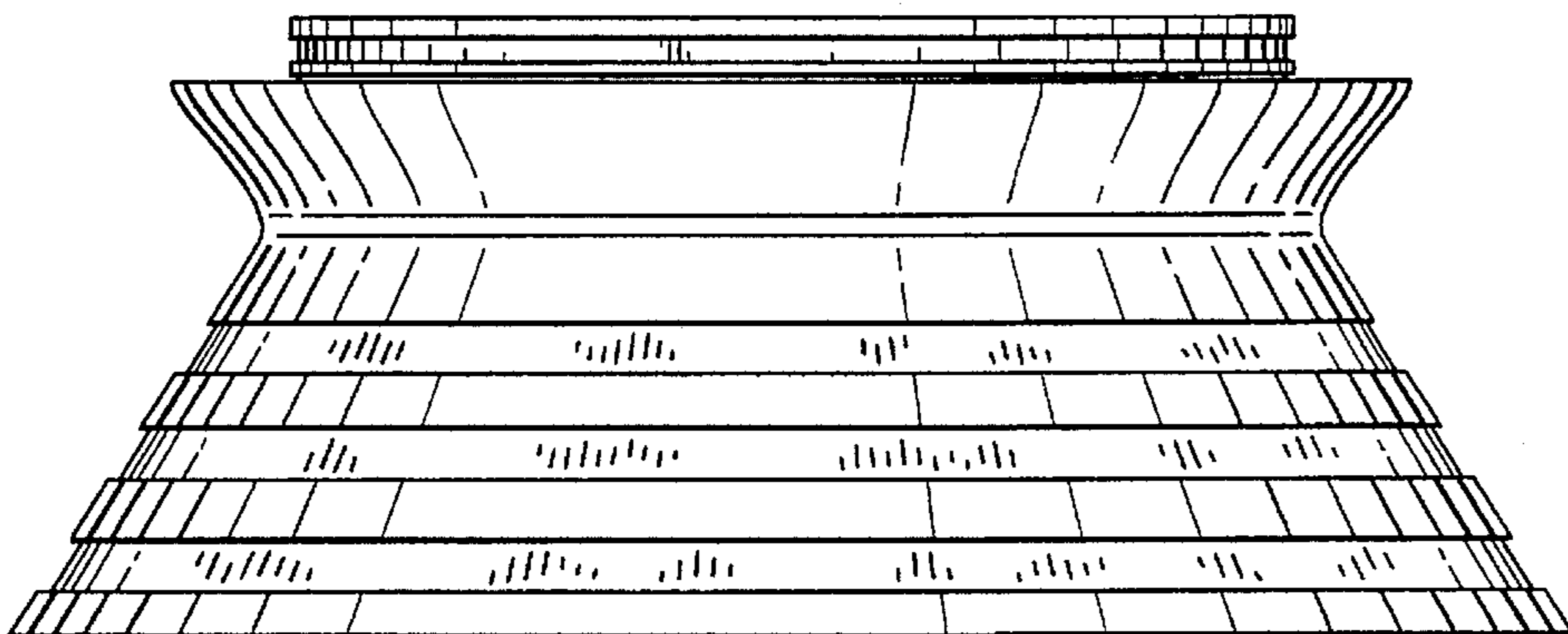


Fig. 2

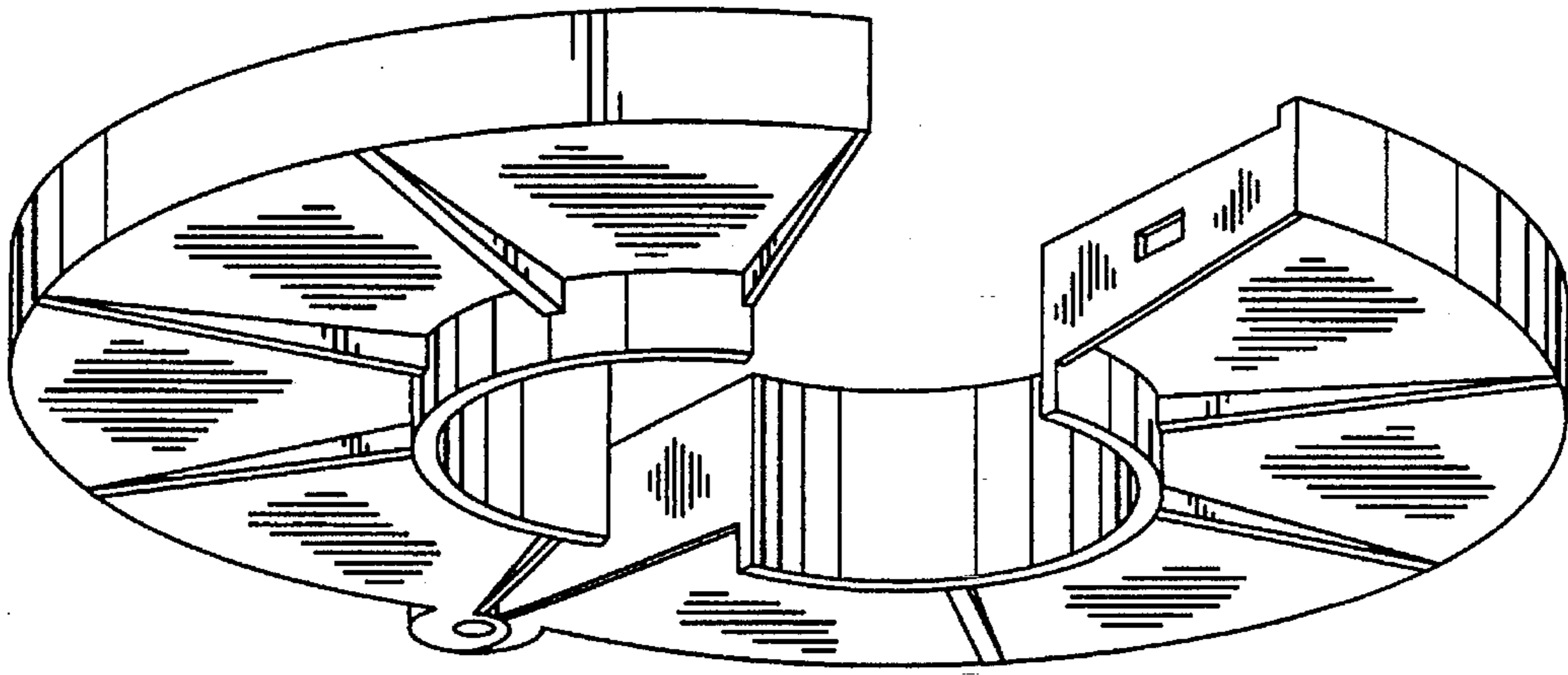


Fig. 3

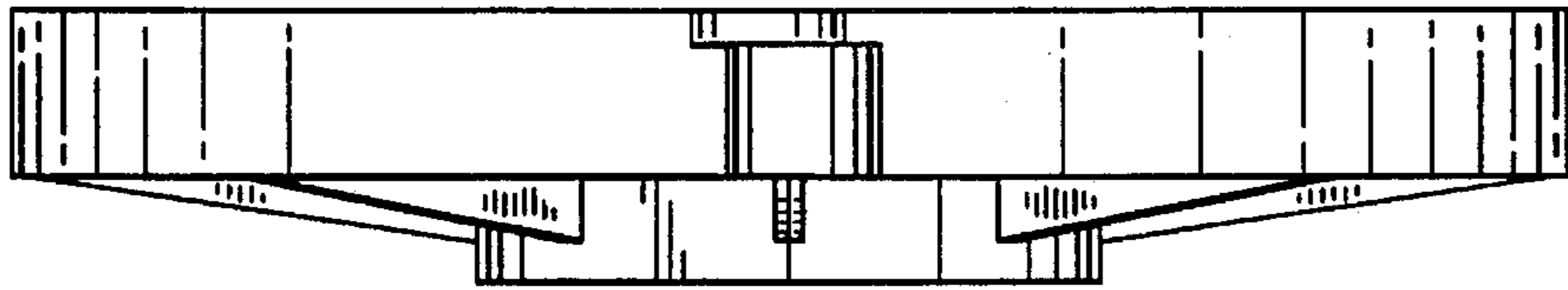


Fig. 4

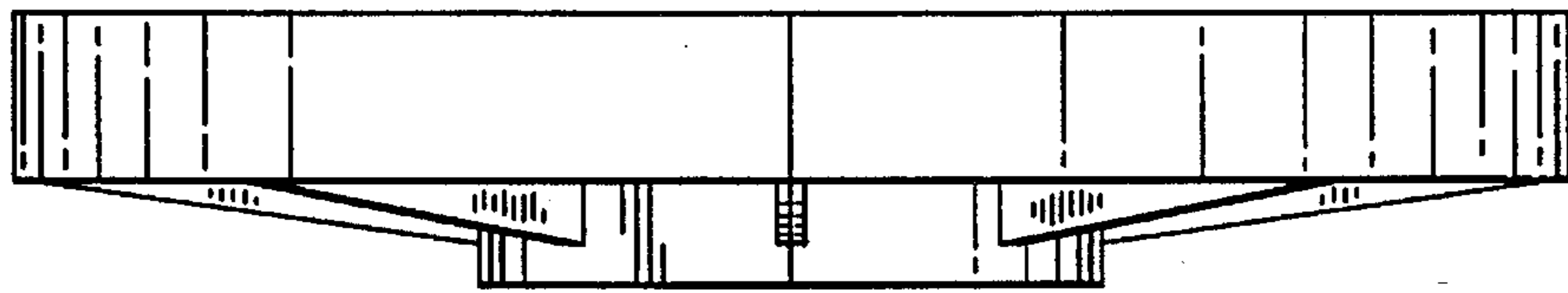


Fig. 5

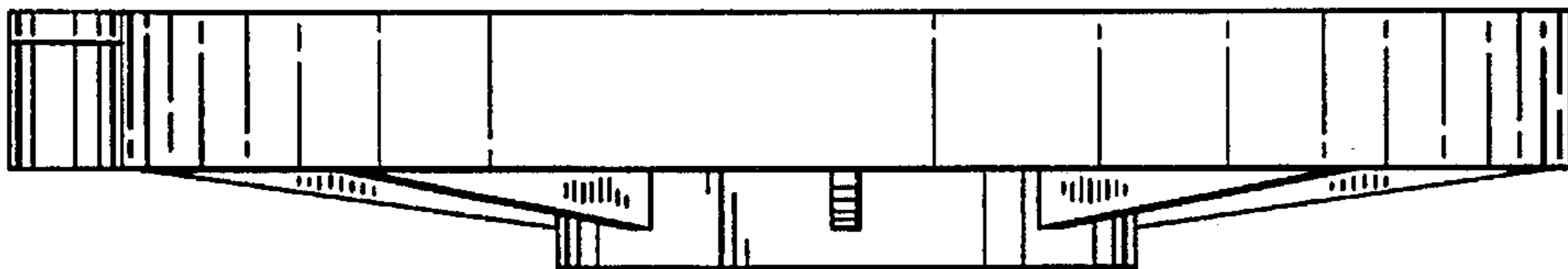


Fig. 6