



US00D375382S

United States Patent [19]

Beeler et al.

[11] Patent Number: **Des. 375,382**

[45] Date of Patent: ****Nov. 5, 1996**

[54] **SKIN LOTION APPLICATOR**

[76] Inventors: **Daniel T. Beeler; Cynthia L. Beeler**,
both of 5406 Carthage Ave., Norwood,
Ohio 45212

[**] Term: **14 Years**

[21] Appl. No.: **46,574**

[22] Filed: **Oct. 6, 1995**

[52] U.S. Cl. **D28/7; D4/121; D4/137;**
D28/63

[58] Field of Search **D28/7, 63; D4/116,**
D4/121, 137, 138; D32/40, 42, 51, 52;
132/320; 15/244.1-244.4, 143.1, 144.1,
144.3, 105, 185, 209.1, 210.1; 401/6, 48,
196, 198, 203-206

[56] **References Cited**

U.S. PATENT DOCUMENTS

- D. 297,467 8/1988 McCann D4/114 X
- D. 351,483 10/1994 Angeletta D28/7
- D. 366,727 1/1996 Possmann D28/7

- 3,568,237 3/1971 Rhodes 15/244.2
- 4,381,766 5/1983 Avolio 15/143.1 X
- 4,483,636 11/1984 Meyer 401/6 X
- 5,360,111 11/1994 Arispe 401/6 X
- 5,437,372 8/1995 Per-Lee 15/209.1 X

Primary Examiner—Ted Shooman
Assistant Examiner—C. Tuttle
Attorney, Agent, or Firm—Harold H. Dutton, Jr.; Diane S. Liebman; W. Charles L. Jamison

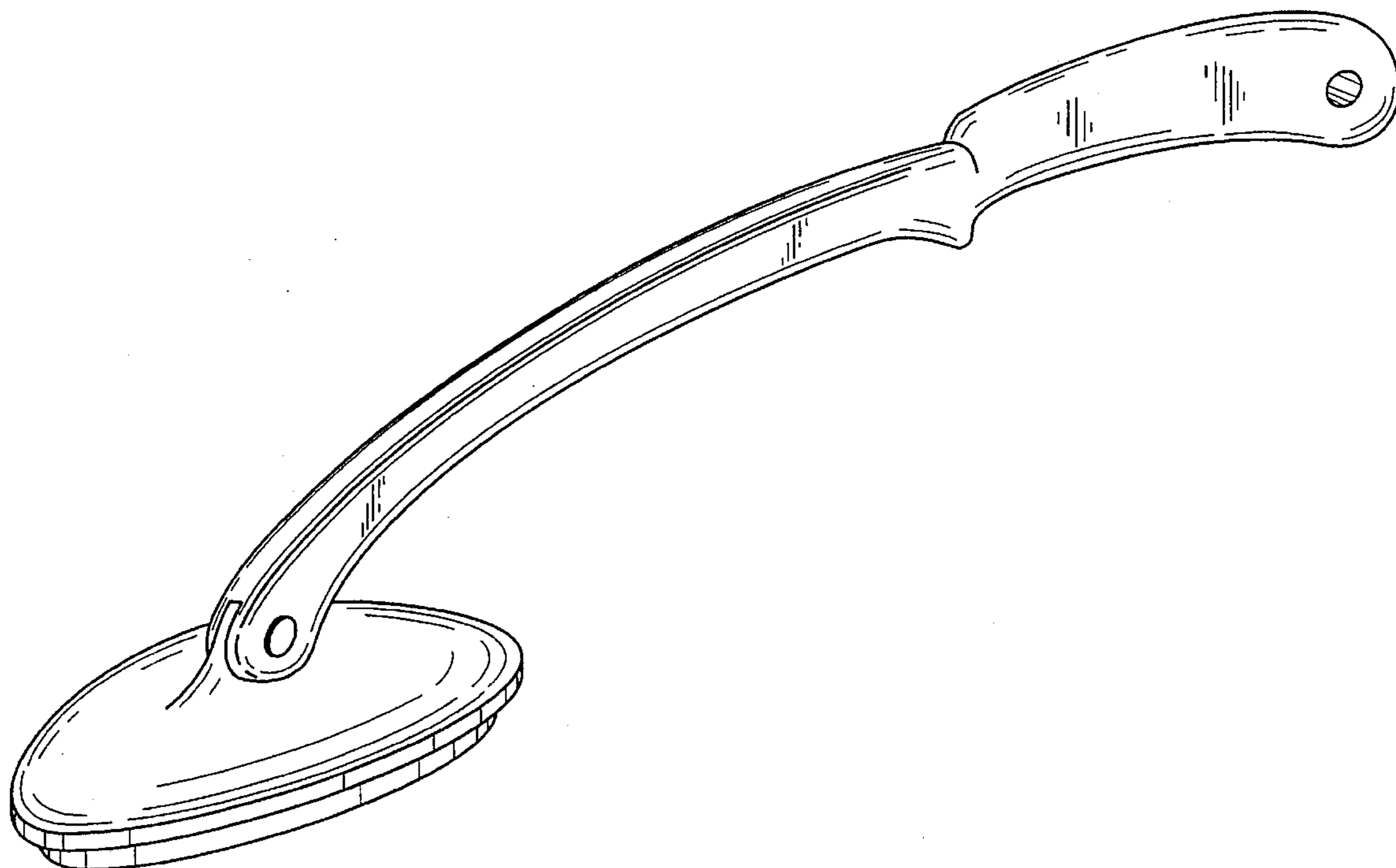
[57] **CLAIM**

The ornamental design for a skin lotion applicator, as shown.

DESCRIPTION

FIG. 1 is a perspective view of a skin lotion applicator showing our new design;
FIG. 2 is a right side view shown on a reduced scale;
FIG. 3 is a left side view thereof;
FIG. 4 is a front view thereof;
FIG. 5 is a rear view thereof;
FIG. 6 is a top view thereof; and,
FIG. 7 is a bottom view thereof.

1 Claim, 4 Drawing Sheets



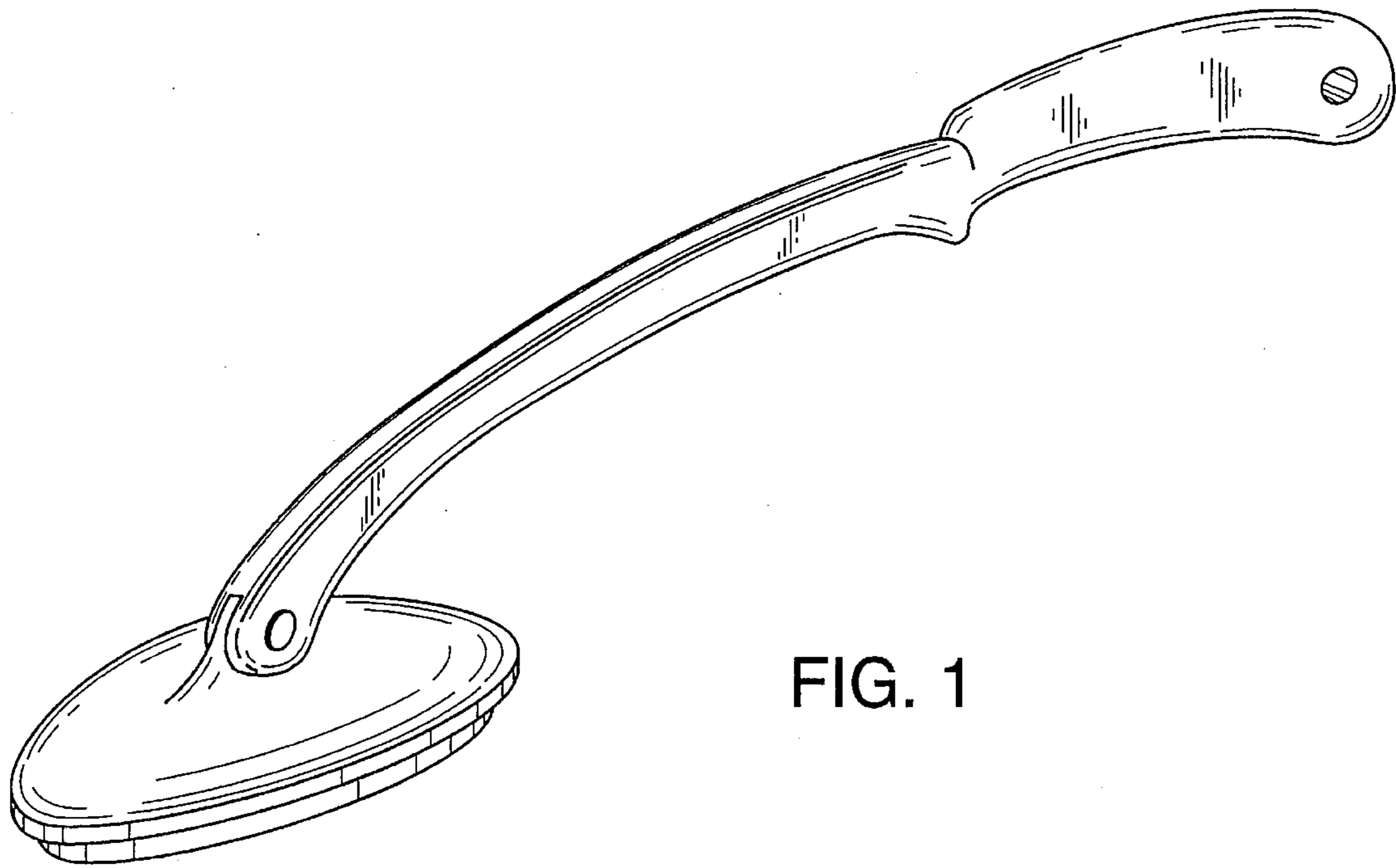


FIG. 1

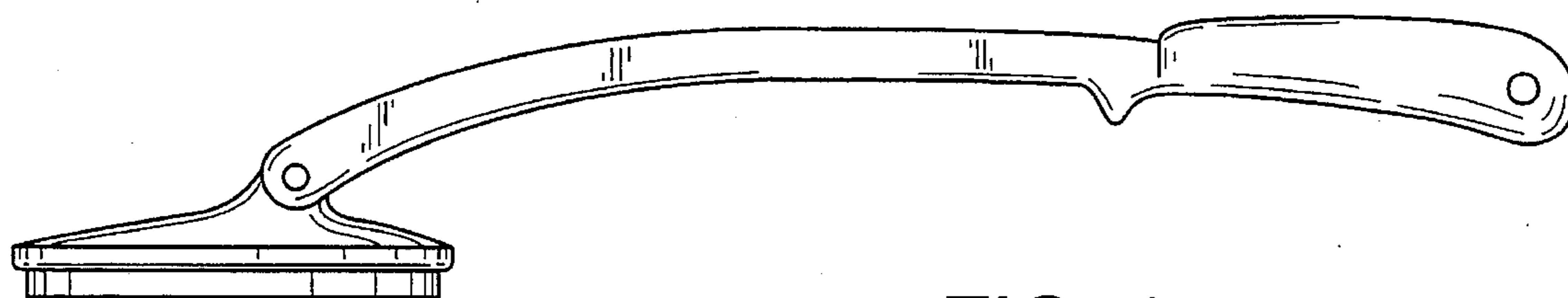


FIG. 2

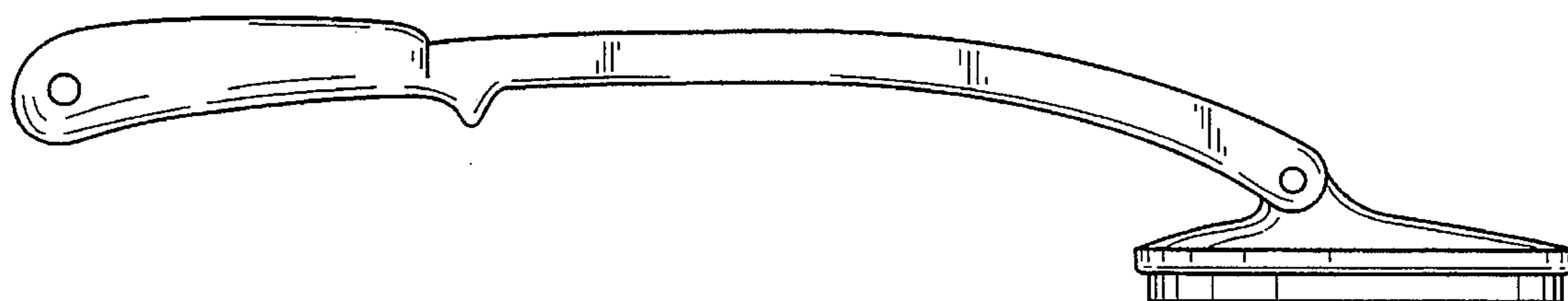


FIG. 3

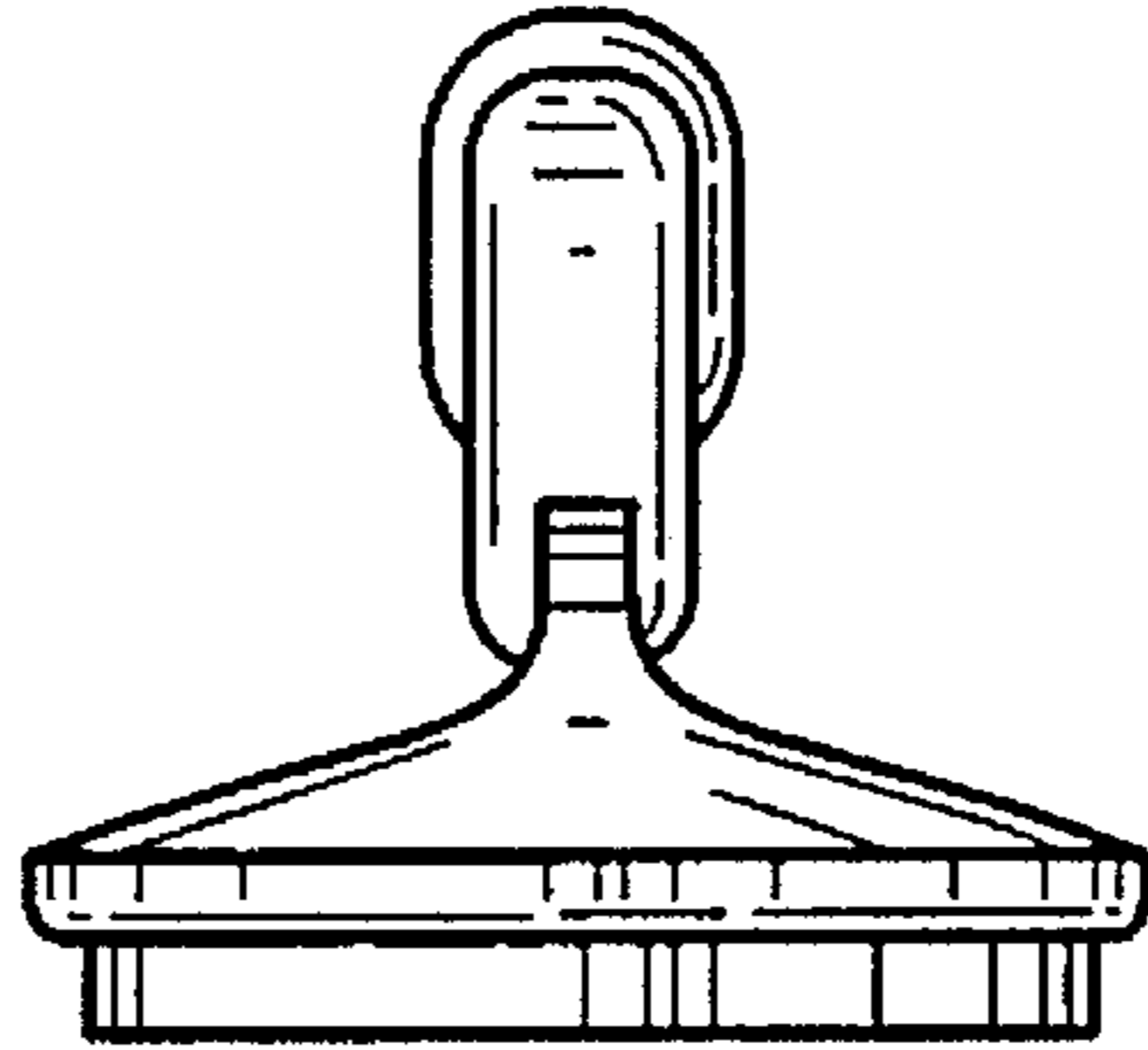


FIG. 4

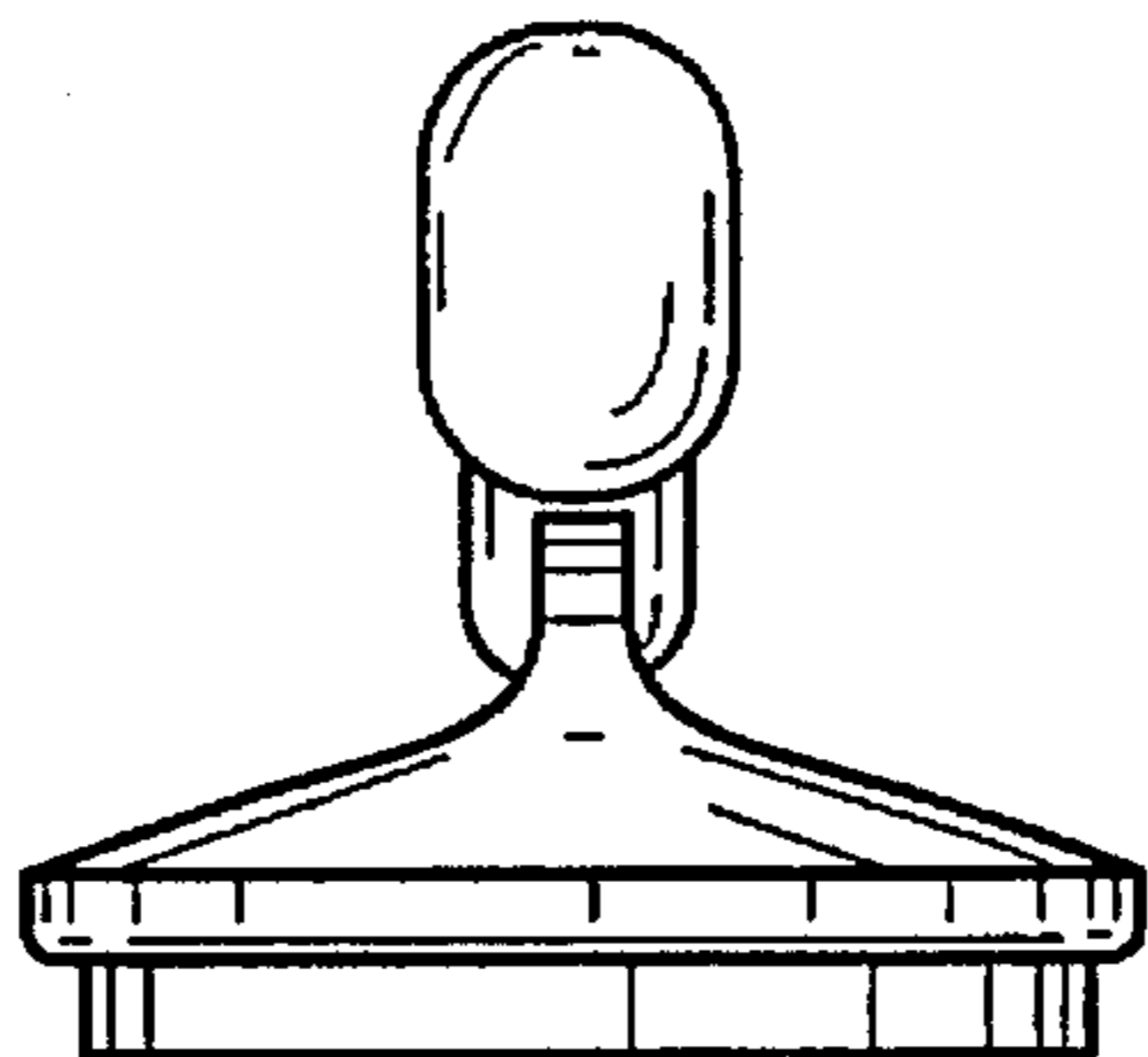


FIG. 5

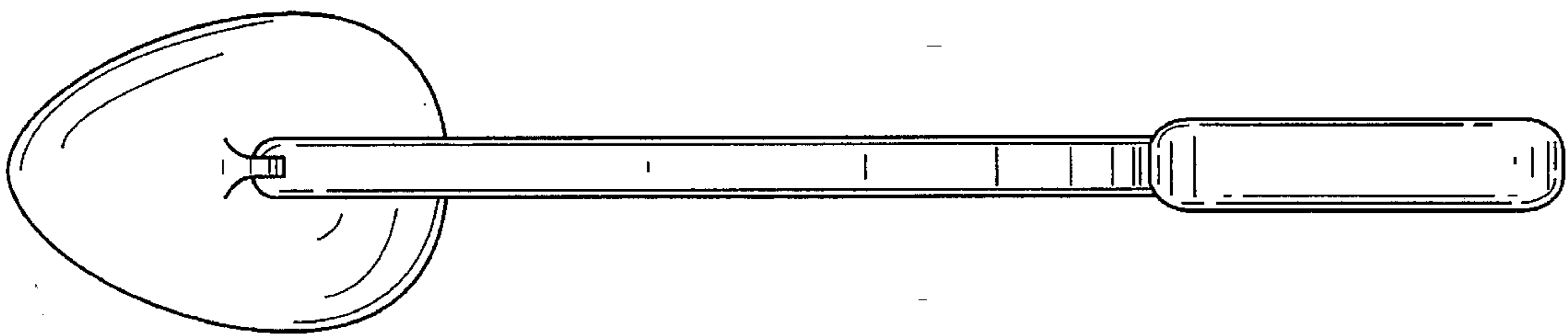


FIG. 6

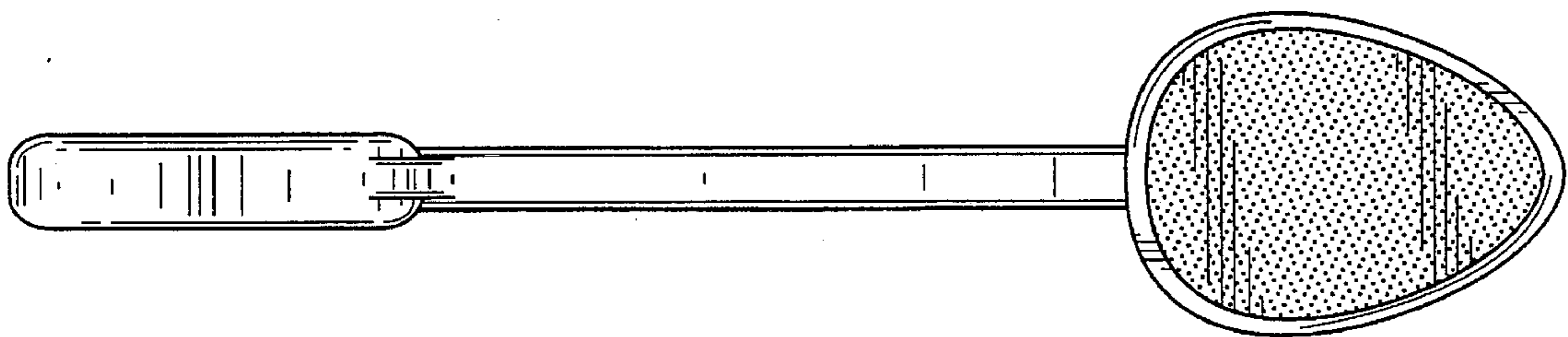


FIG. 7