



US00D375381S

**United States Patent** [19]  
**Carr**

[11] **Patent Number:** **Des. 375,381**

[45] **Date of Patent:** **\*\*Nov. 5, 1996**

[54] **MULTI-POSITIONABLE DROP LIGHT CAGE ASSEMBLY**

*Primary Examiner*—Susan J. Lucas  
*Attorney, Agent, or Firm*—George R. McGuire

[76] **Inventor:** Edwin Carr, 15162 Carr Rd., Clayton, N.Y. 13624

[57] **CLAIM**

[\*\*] **Term:** 14 Years

The ornamental design for multi-positionable drop light cage assembly, as shown and described.

[21] **Appl. No.:** 38,195

**DESCRIPTION**

[22] **Filed:** May 1, 1995

FIG. 1 is a perspective view of a multipositionable drop light cage assembly;

[52] **U.S. Cl.** ..... D26/119

FIG. 2 is a front elevational view thereof;

[58] **Field of Search** ..... D26/119, 37; 362/36, 362/377, 378, 396, 399, 258, 344

FIG. 3 is a right side elevational view thereof;

FIG. 4 is a left side elevational view thereof;

FIG. 5 is a top plan view thereof;

FIG. 6 is a bottom plan view thereof; and,

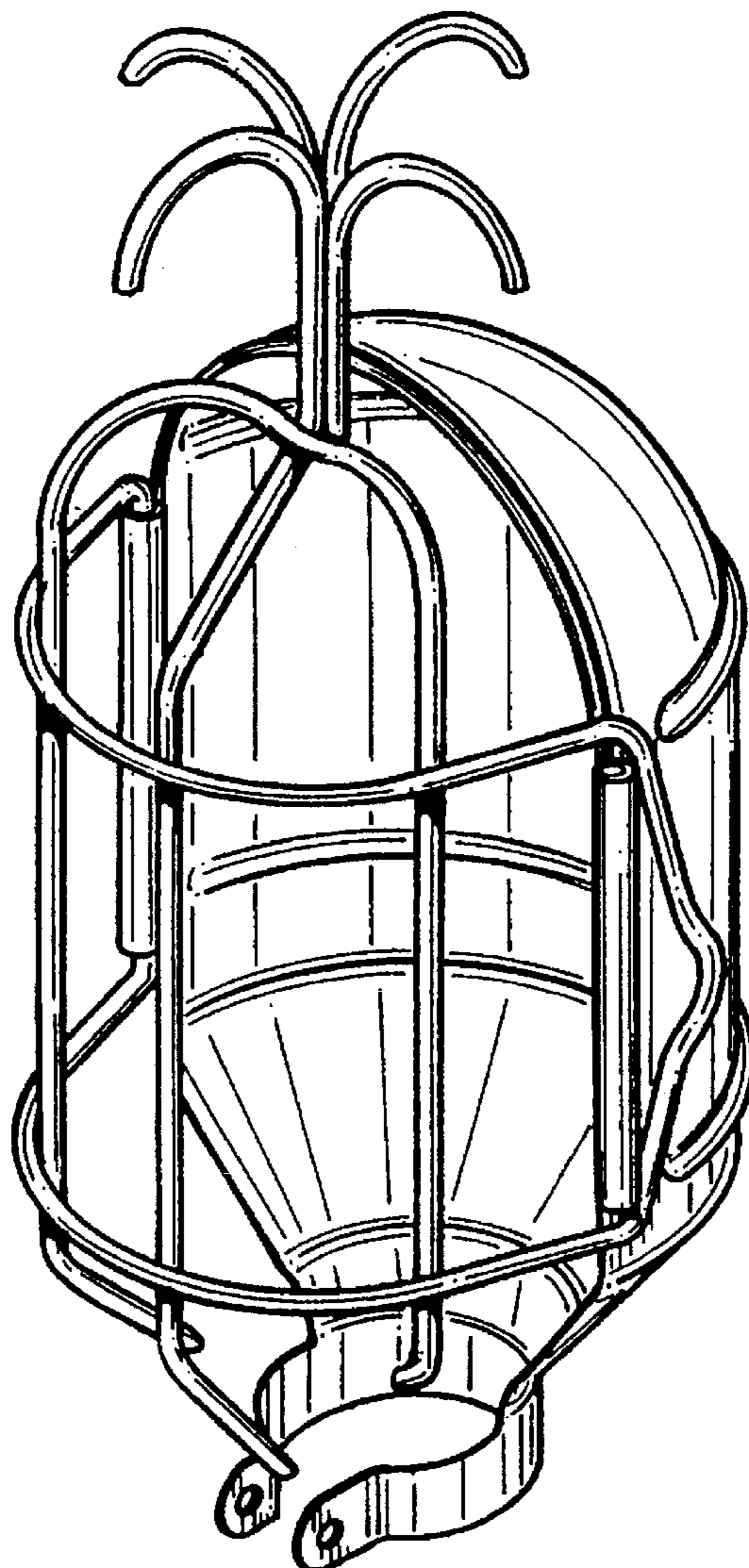
FIG. 7 is a perspective view of the multipositionable drop light cage assembly in use the broken lines being shown for illustrative purposes only and forming no part of the claimed design.

[56] **References Cited**

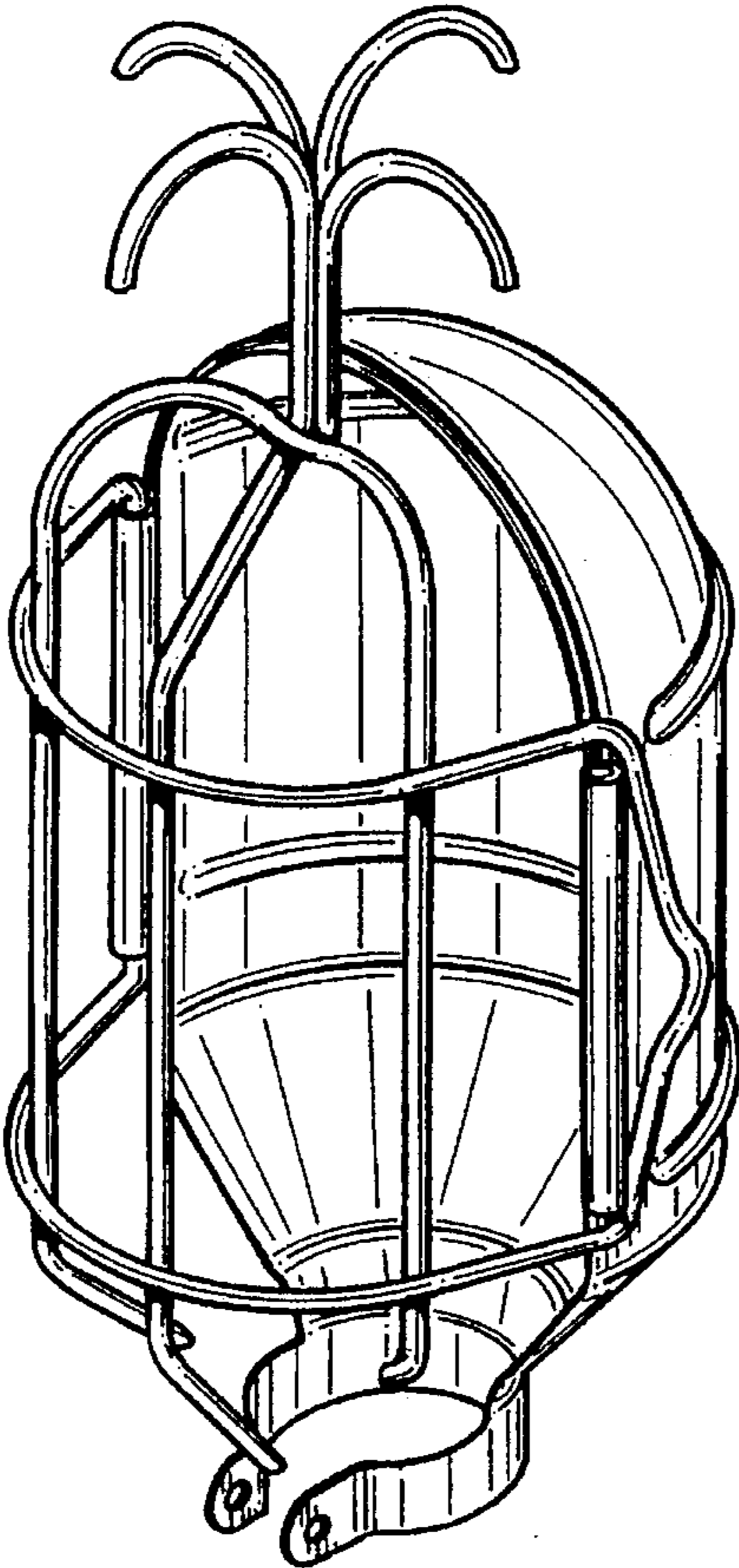
**U.S. PATENT DOCUMENTS**

D. 150,720	8/1948	Meltzer	.....	D26/119
D. 195,273	5/1963	Broder	.....	D26/119
2,626,347	1/1953	Baenziger	.....	362/344
4,999,752	3/1991	Rogers et al.	.....	362/376 X

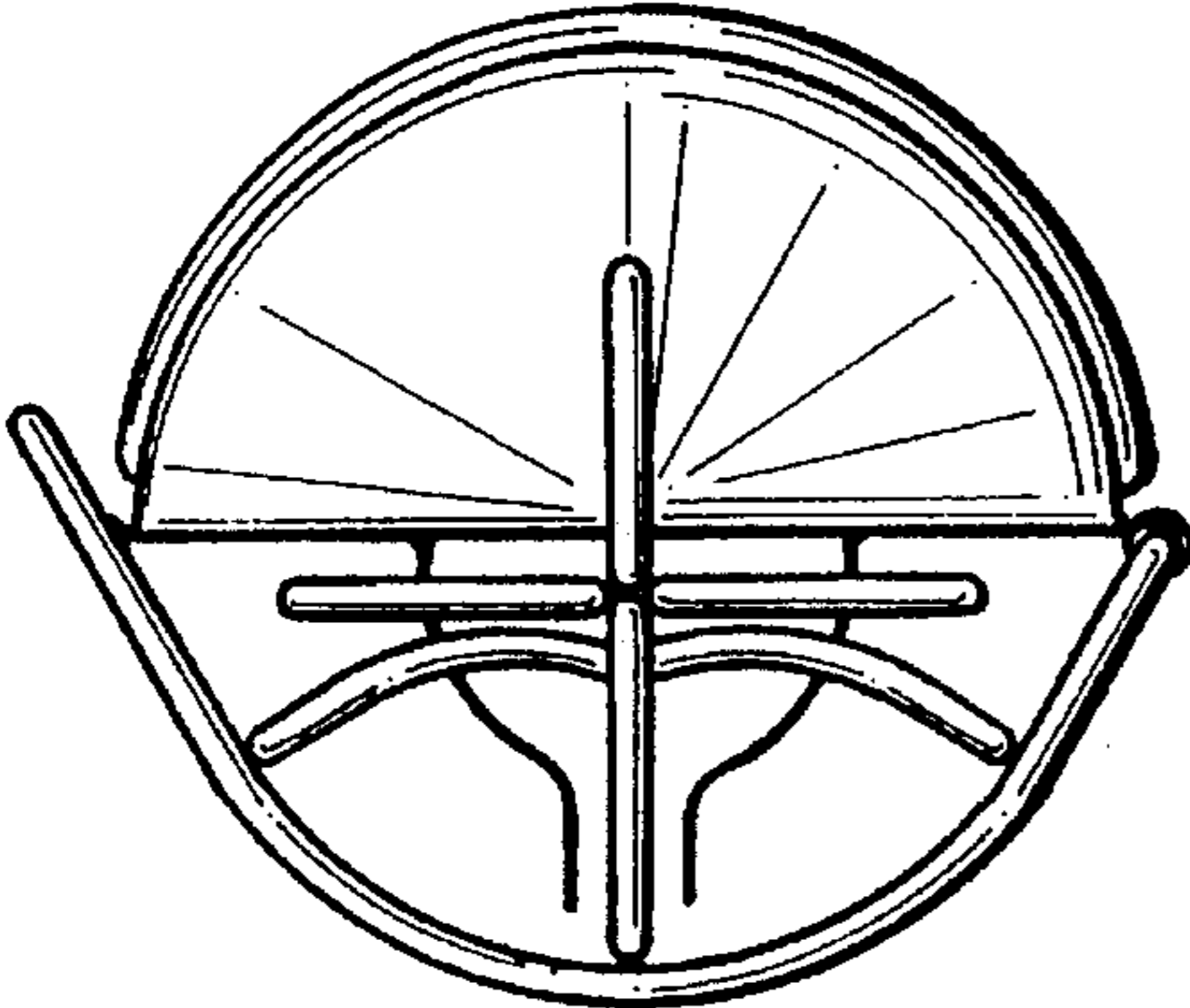
**1 Claim, 3 Drawing Sheets**



*FIG. 1*



*FIG. 5*



*FIG. 6*

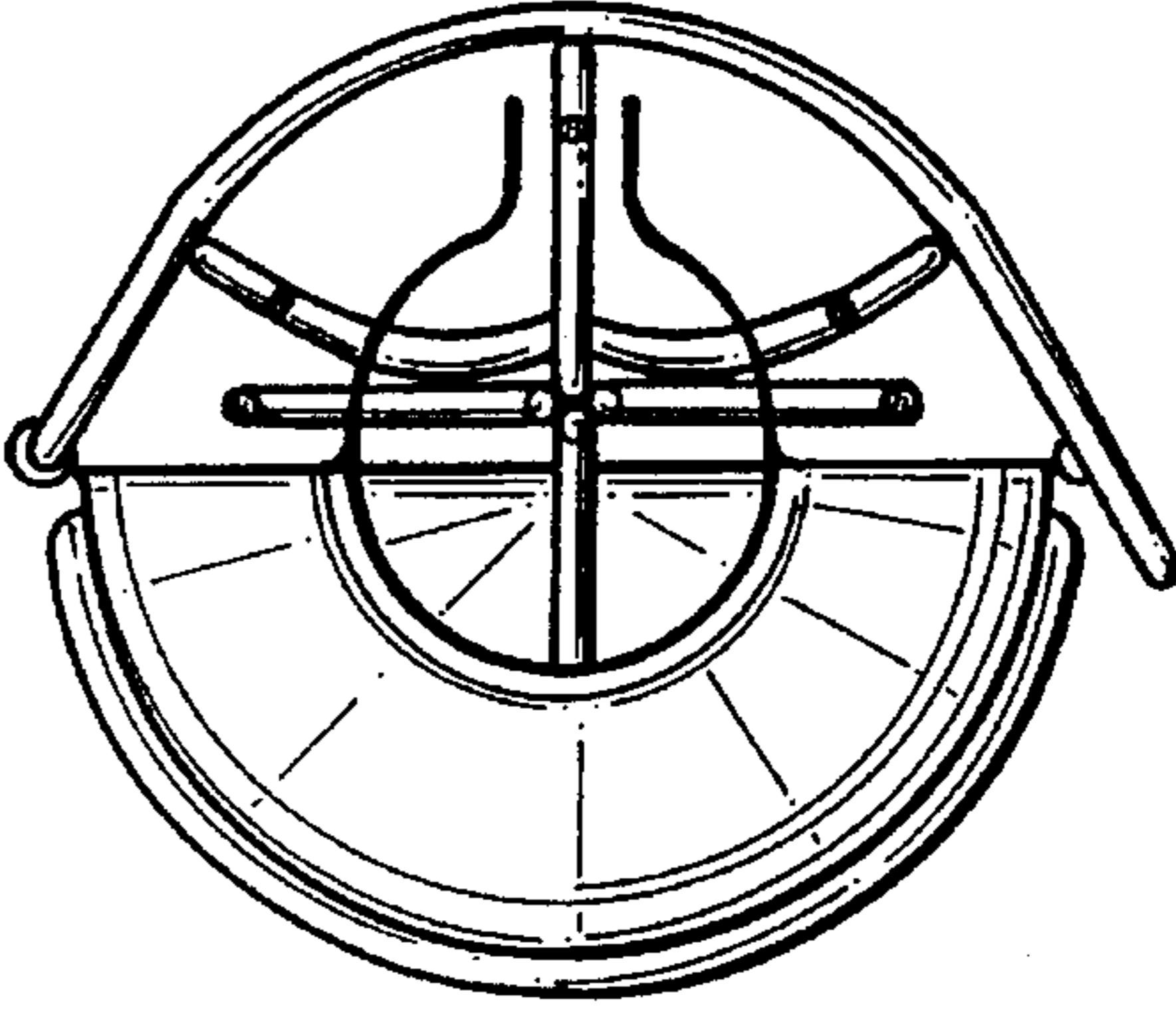


FIG. 4

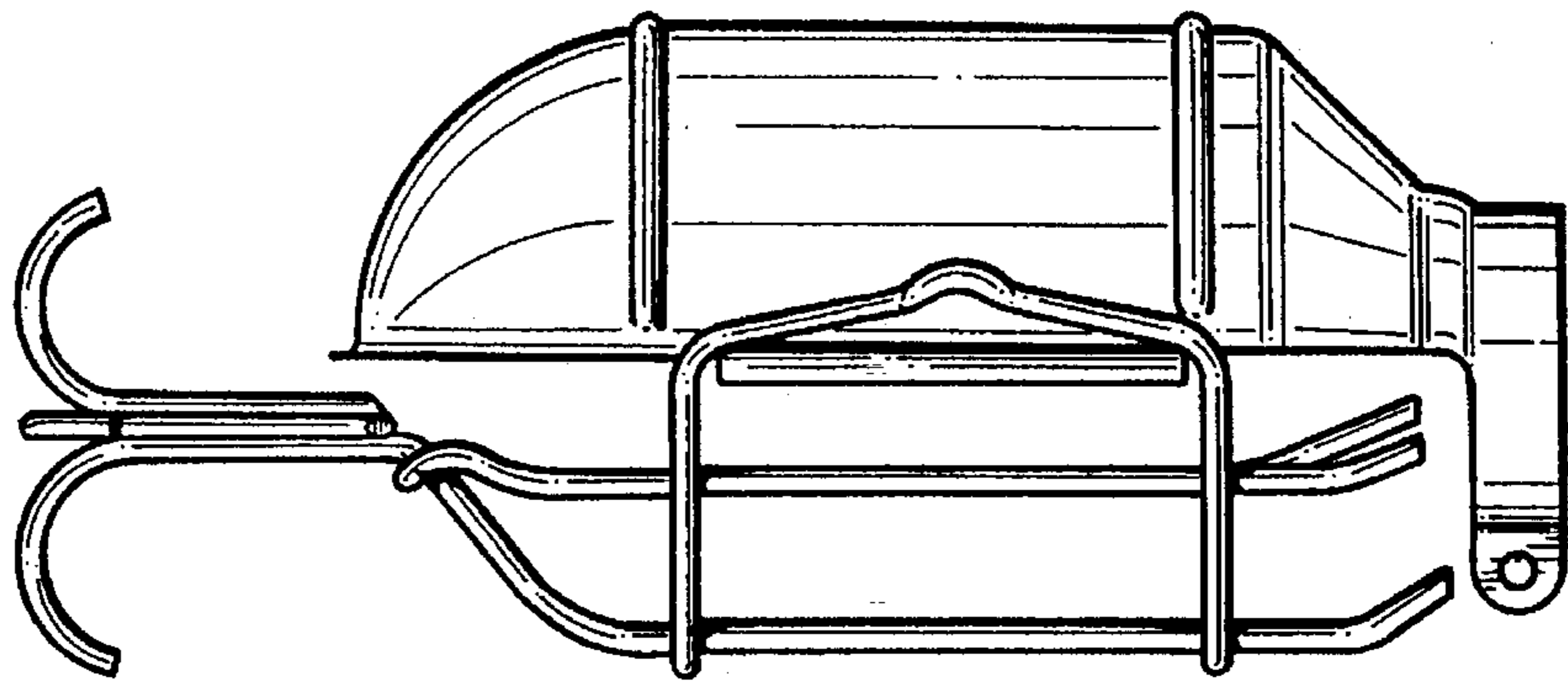


FIG. 2

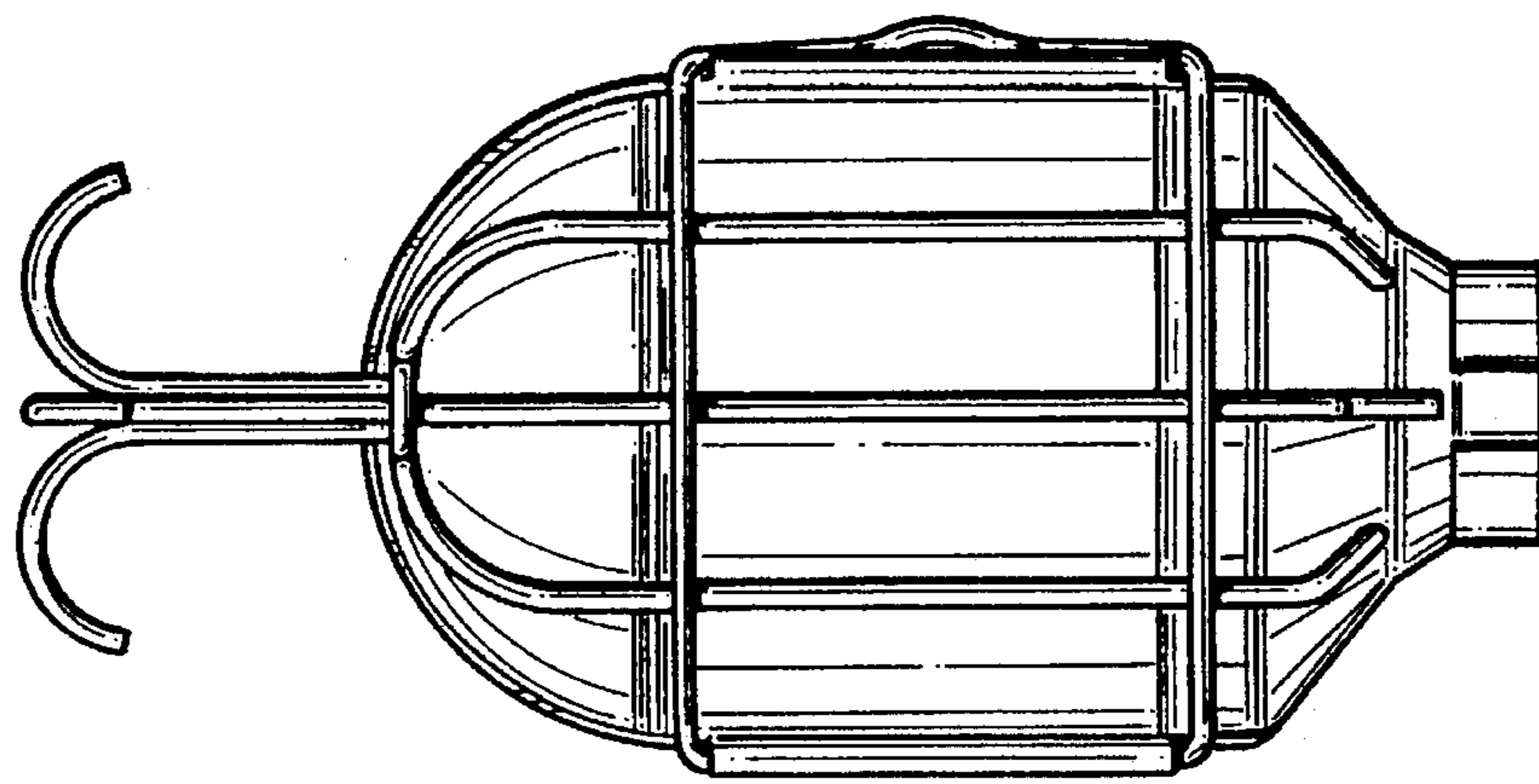
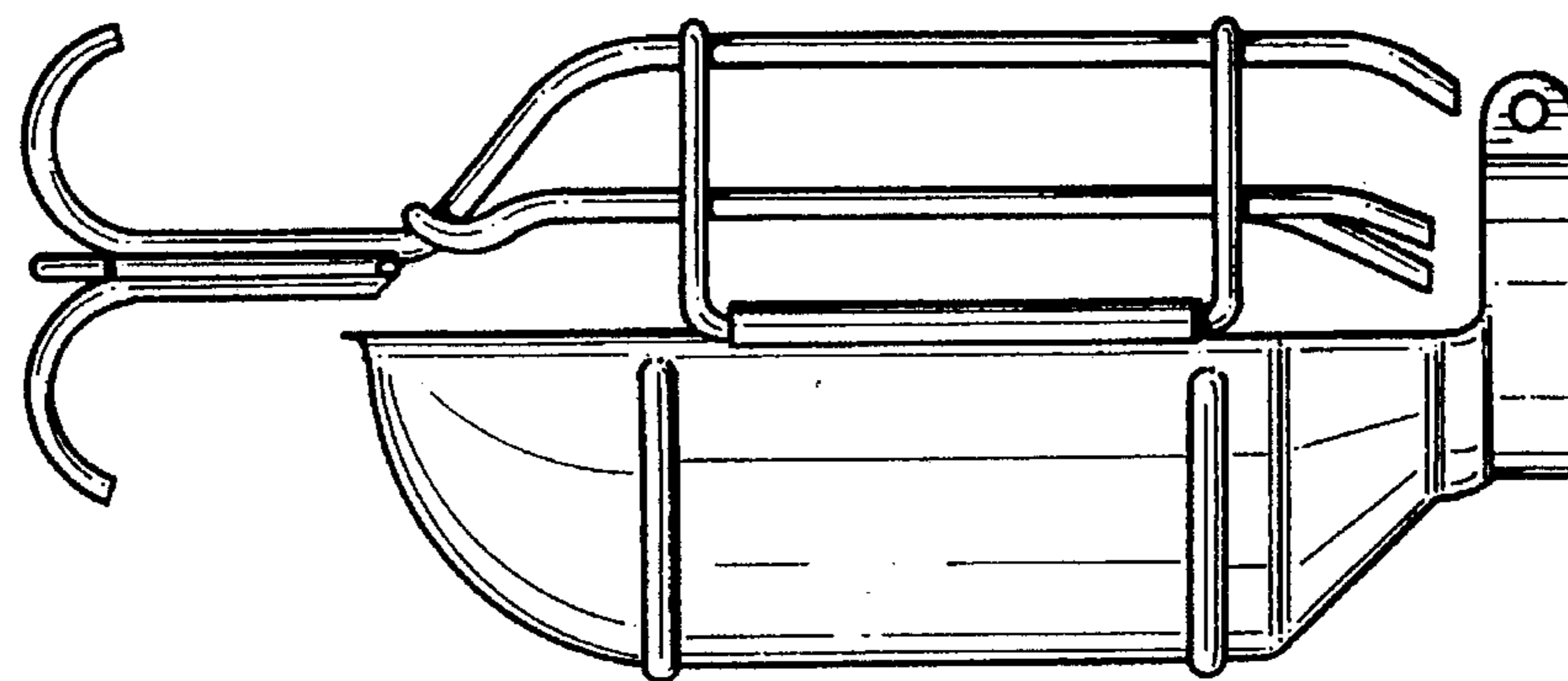


FIG. 3



*FIG. 7*

