



US00D375379S

# United States Patent [19]

DiCola et al.

[11] Patent Number: **Des. 375,379**

[45] Date of Patent: **\*\*Nov. 5, 1996**

[54] **COMBINED LUMINAIRE LENS AND MOUNTING FRAME**

[75] Inventors: **Vincent C. DiCola**, Cincinnati;  
**Michael D. Wyatt**, Hamilton; **Jerry F. Fischer**, West Chester, all of Ohio

[73] Assignee: **LSI Industries, Inc.**, Cincinnati, Ohio

[\*\*] Term: **14 Years**

[21] Appl. No.: **42,775**

[22] Filed: **Aug. 17, 1995**

[52] U.S. Cl. .... **D26/85**

[58] Field of Search ..... D26/72, 80-92;  
362/147, 404-408

[56] **References Cited**

**U.S. PATENT DOCUMENTS**

D. 170,084	7/1953	Glatthar et al. ....	D26/89
D. 189,054	10/1960	Jaffe, Jr. .	
D. 210,798	4/1968	Hewson .	
D. 232,376	8/1974	Yabraus .	
D. 249,291	9/1978	Pemberton .	
D. 352,797	11/1994	Mehaffey .....	D26/85
2,225,217	12/1940	Hicok .	
4,302,798	11/1981	Sit .....	362/147

4,315,302	2/1982	Petralia .
4,384,316	5/1983	de Vos et al. .
4,459,648	7/1984	Ullman .
4,654,768	3/1987	Dryman et al. .
5,045,984	9/1991	Trowbridge et al. .
5,228,773	7/1993	Win .

**OTHER PUBLICATIONS**

Kenall Mfg Co. Vandalproof Lighting Catalog, Jun. 1983 front cover, top left illustration—ceiling fixture.

*Primary Examiner*—Susan J. Lucas  
*Attorney, Agent, or Firm*—Wood, Herron & Evans, P.L.L.

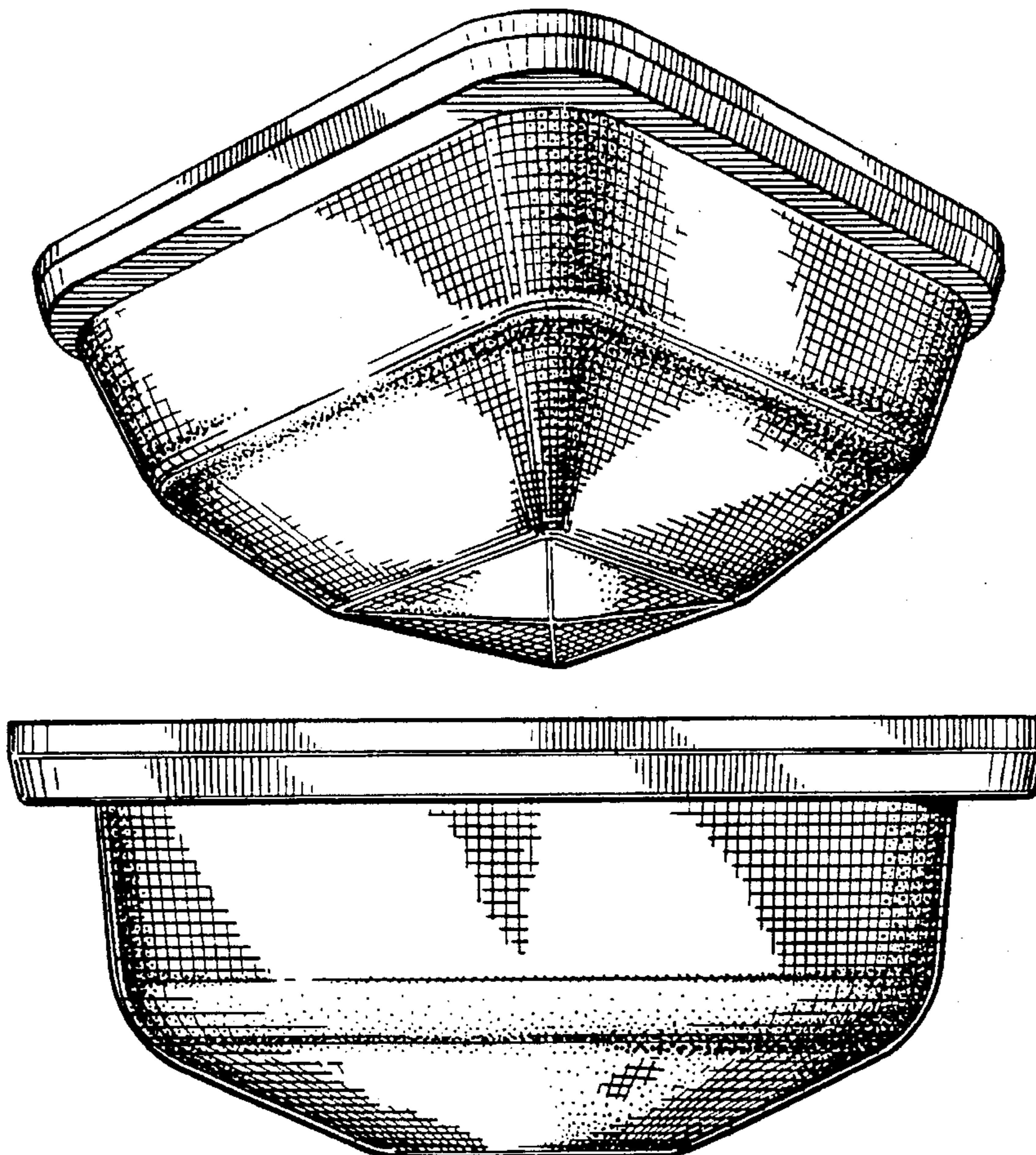
[57] **CLAIM**

The ornamental design for a combined luminaire lens and mounting frame, as shown and described.

**DESCRIPTION**

FIG. 1 is a perspective view of the front, bottom, and right side of the combined luminaire lens and mounting frame design of this invention, for an electric lighting fixture; FIG. 2 is a front elevational view thereof, with the rear, left side and right side elevational views being identical; FIG. 3 is a bottom plan view thereof; and, FIG. 4 is a top plan view thereof.

**1 Claim, 1 Drawing Sheet**



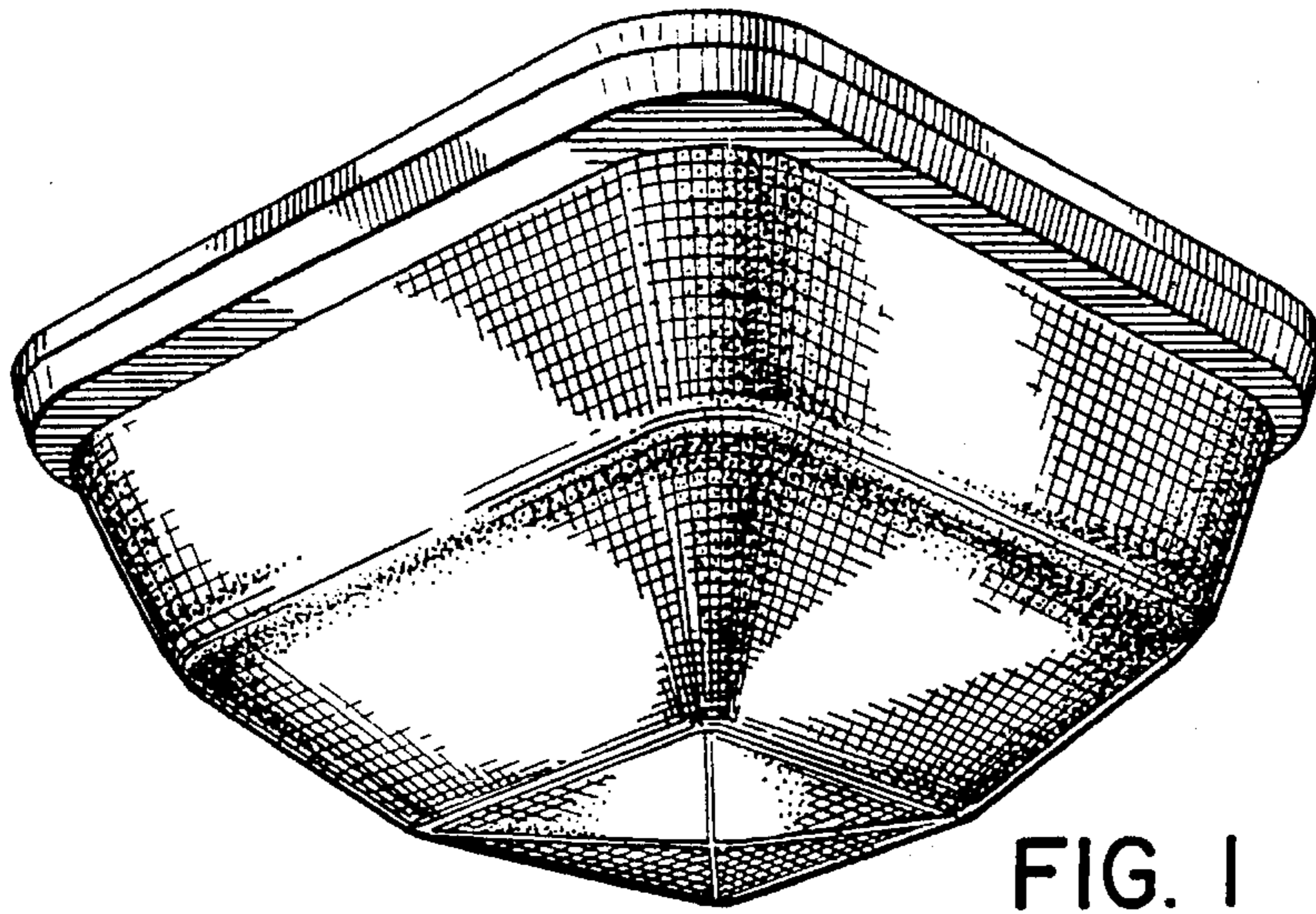


FIG. 1

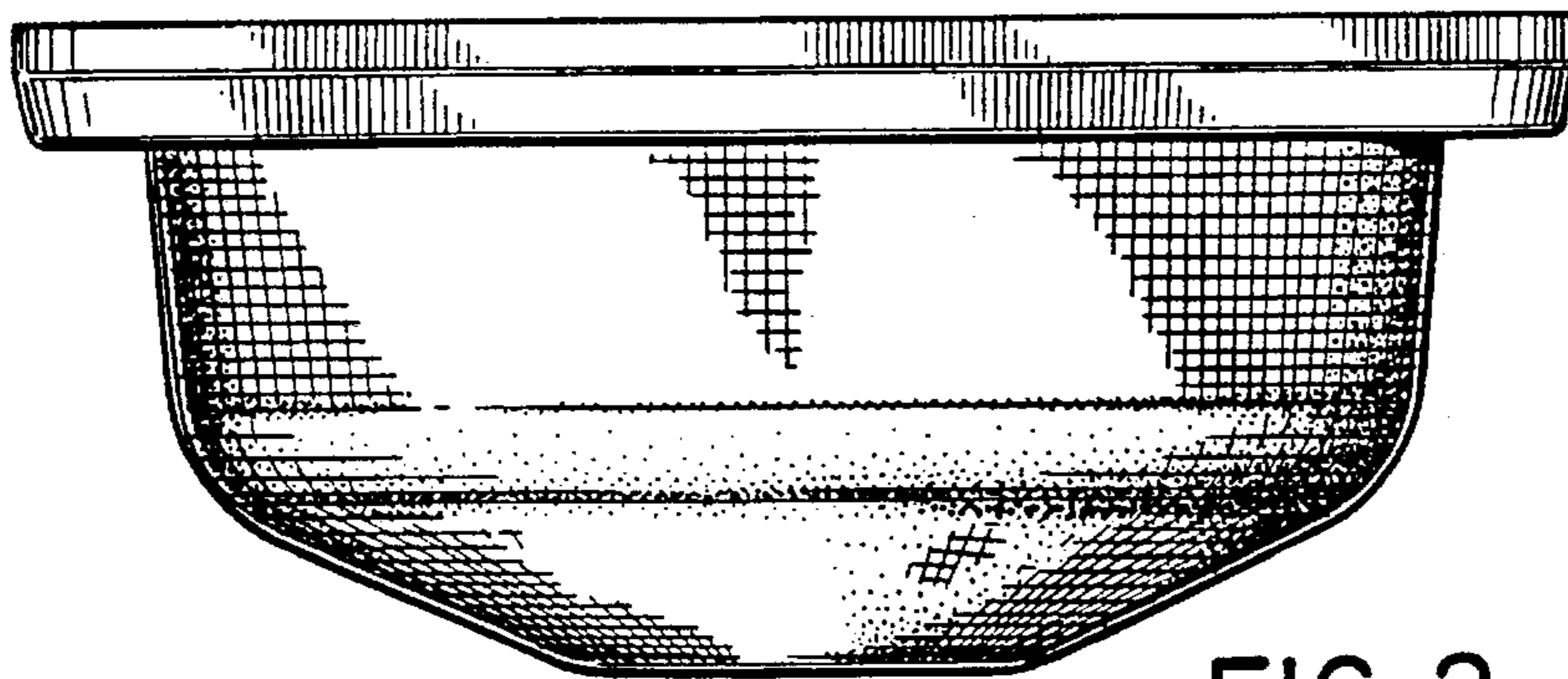


FIG. 2

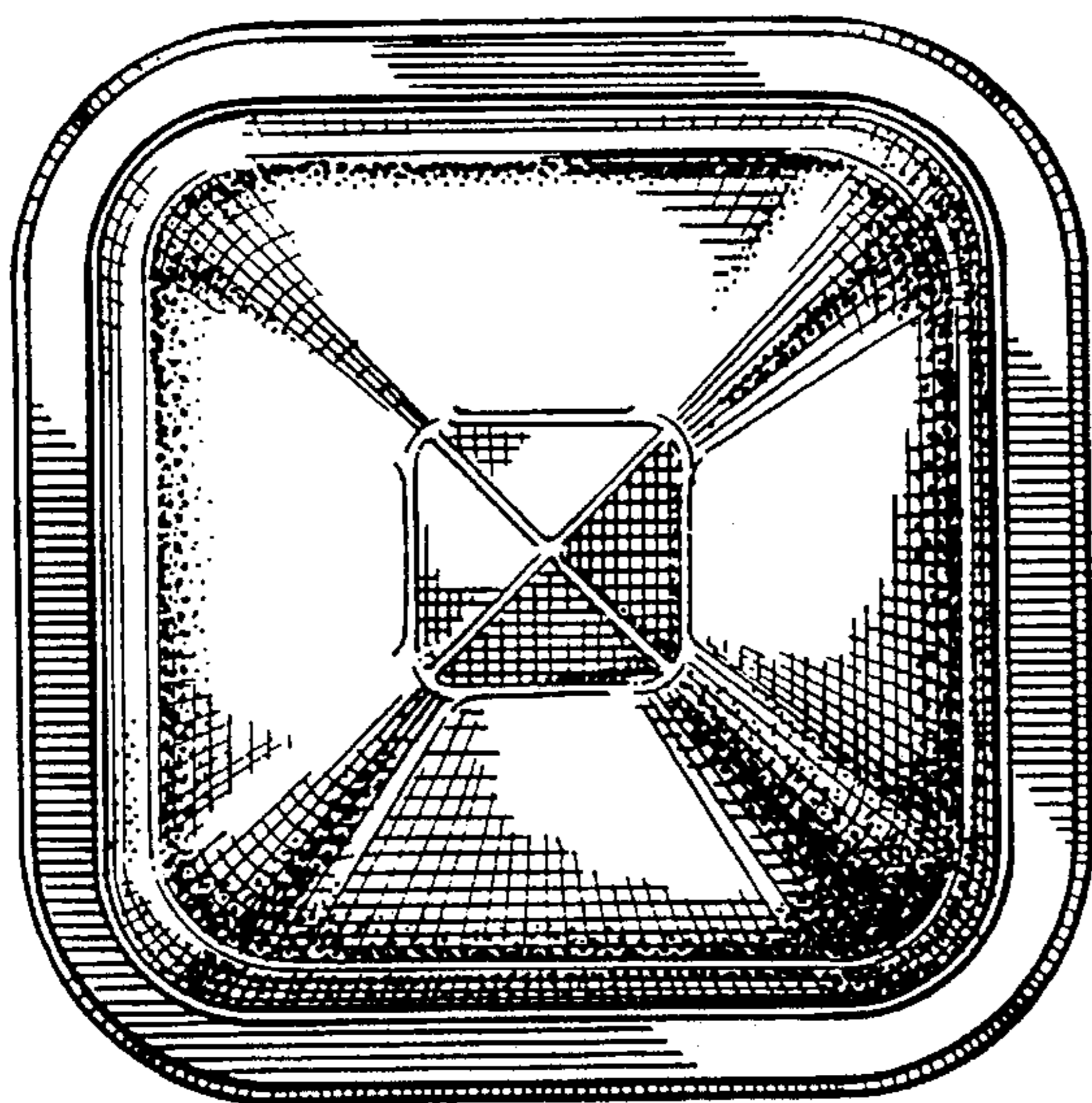


FIG. 3

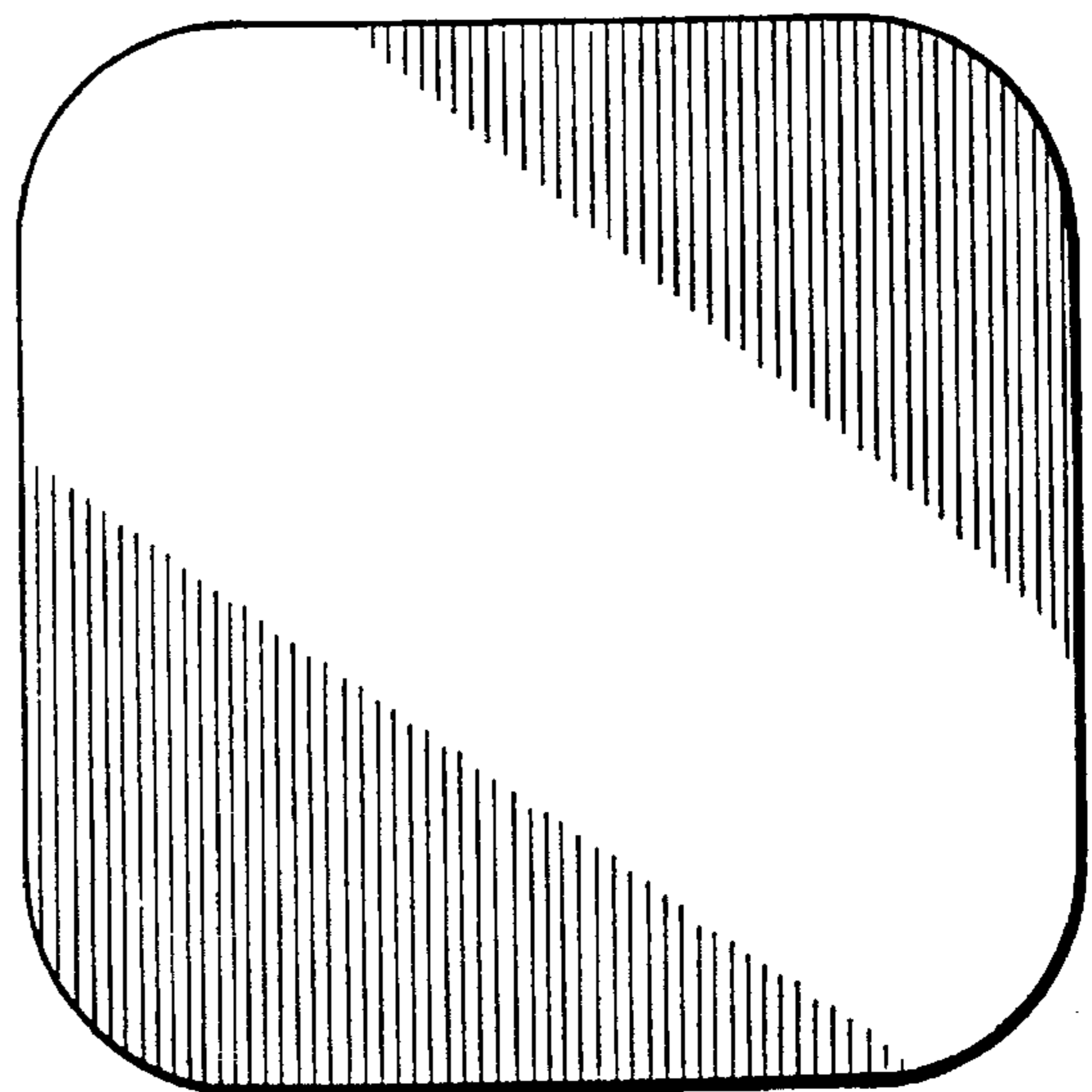


FIG. 4