



US00D375378S

United States Patent [19]

Wang

[11] Patent Number: **Des. 375,378**

[45] Date of Patent: ****Nov. 5, 1996**

[54] LAMP

[76] Inventor: **Chin-Shyang Wang**, 41, Lane 343, Sec 5, Lu Ho Road, Ho Mei Town, Changhua Hsien, Taiwan

[**] Term: **14 Years**

[21] Appl. No.: **45,841**

[22] Filed: **Oct. 31, 1995**

[52] U.S. Cl. **D26/65**

[58] Field of Search D26/93, 102-112, D26/62, 63, 65; 362/410-414, 269, 275, 287, 418, 419, 427, 401

[56] References Cited

U.S. PATENT DOCUMENTS

D. 158,617	5/1950	Rosenberg	D26/63
D. 316,610	4/1991	Winn	D26/65
D. 331,984	12/1992	Winn	D26/63

OTHER PUBLICATIONS

Home Lighting & Accessories, Sep. 1994, p. 64 Desk Lamp #6.

Primary Examiner—Susan J. Lucas
Attorney, Agent, or Firm—Beveridge, DeGrandi, Weilacher & Young, LLP

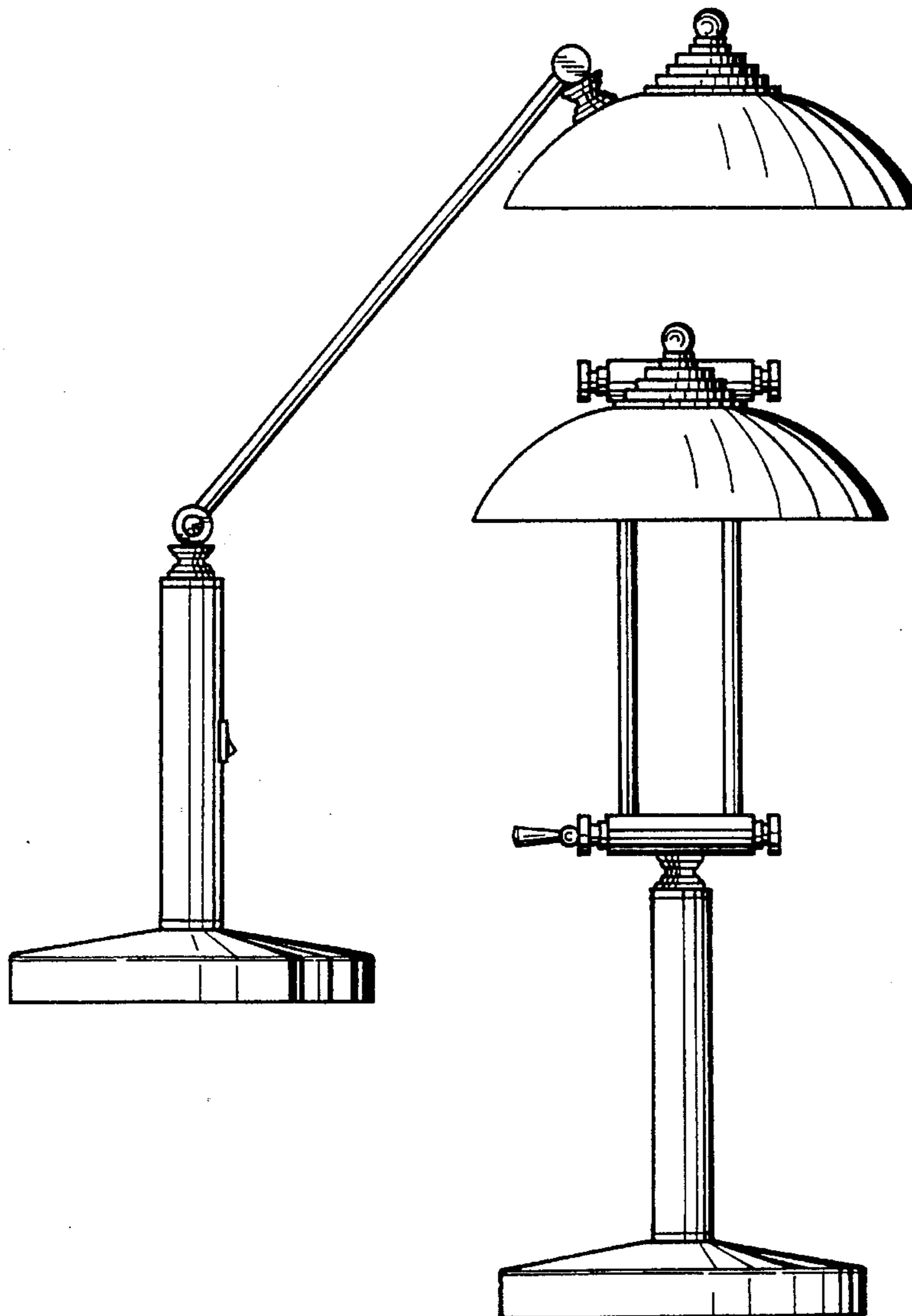
[57] CLAIM

The ornamental design for a lamp, as shown and described.

DESCRIPTION

FIG. 1 is a front elevational view of a lamp showing my new design;
FIG. 2 is a rear elevational view thereof;
FIG. 3 is a left side elevational view thereof;
FIG. 4 is a right side elevational view thereof;
FIG. 5 is a top plan view thereof;
FIG. 6 is a bottom plan view thereof; and,
FIG. 7 is a perspective view thereof.

1 Claim, 7 Drawing Sheets



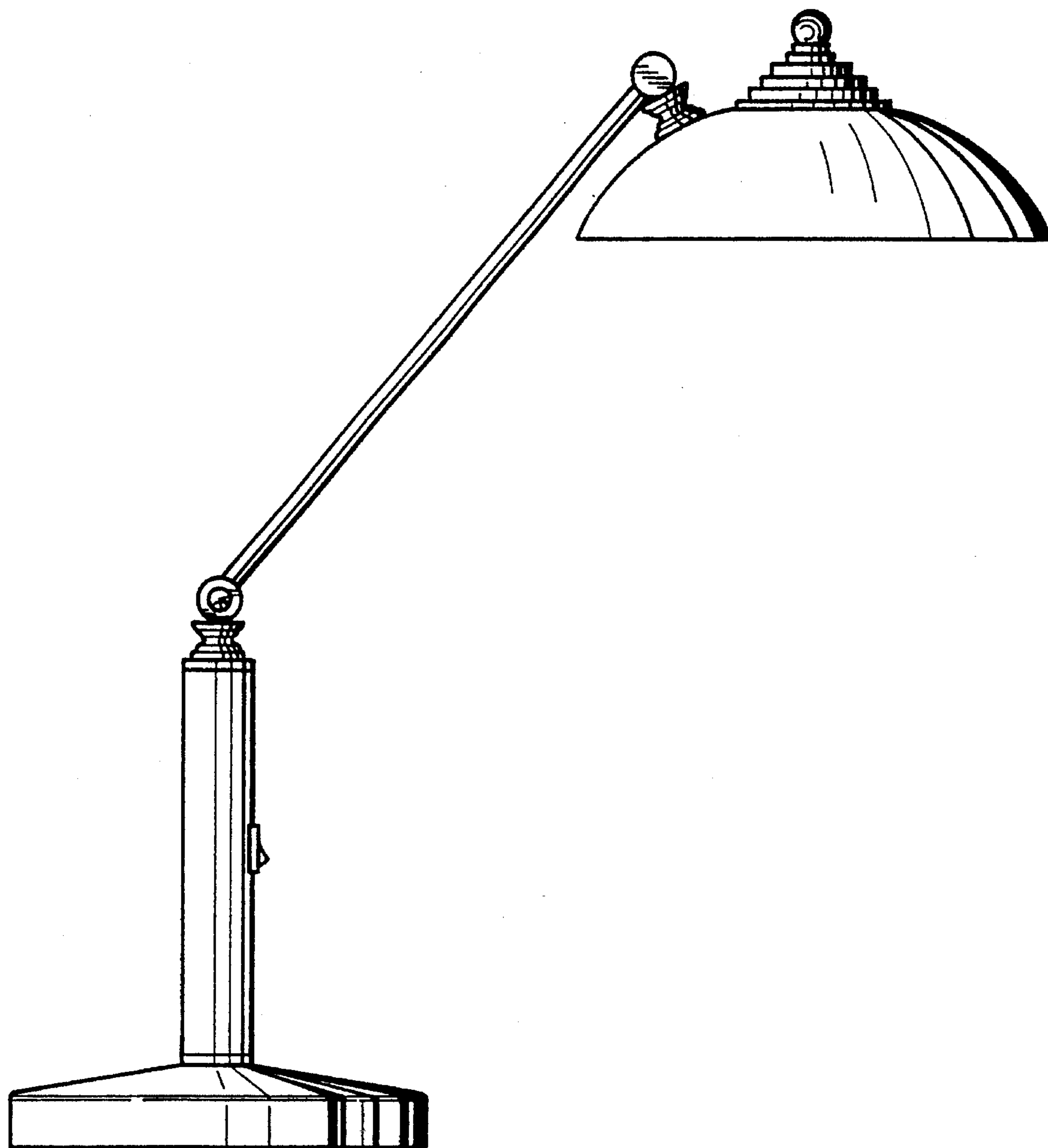


FIG. 1

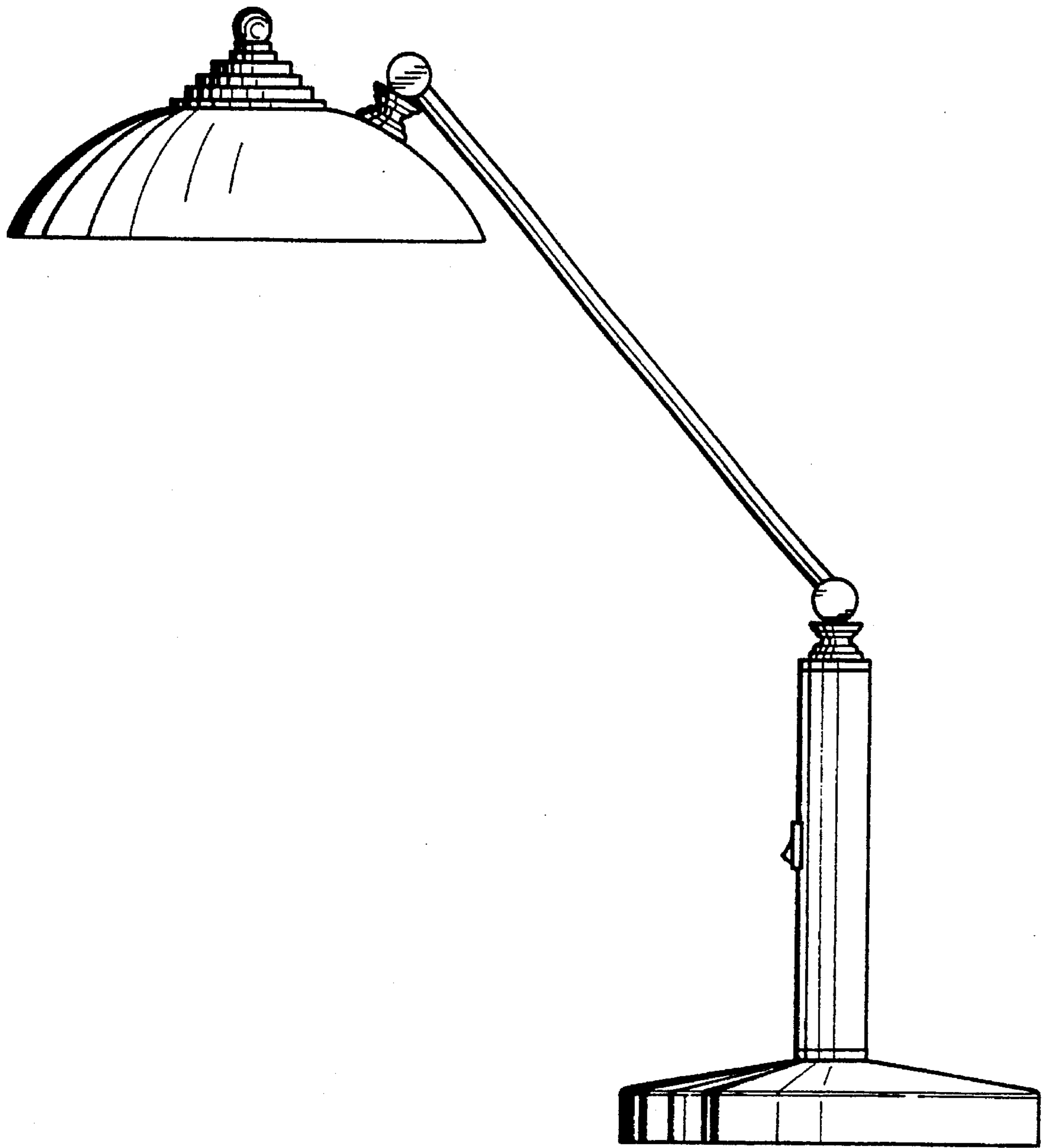


FIG. 2

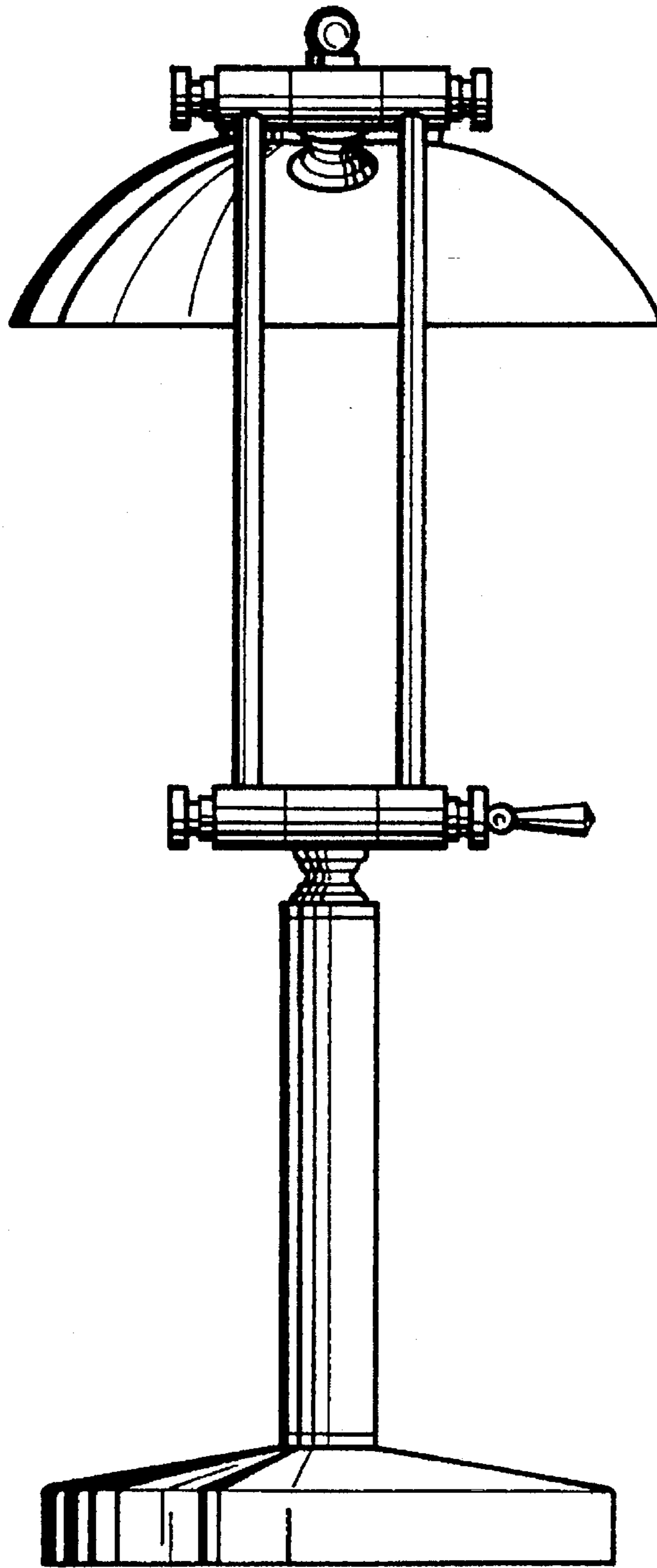


FIG. 3

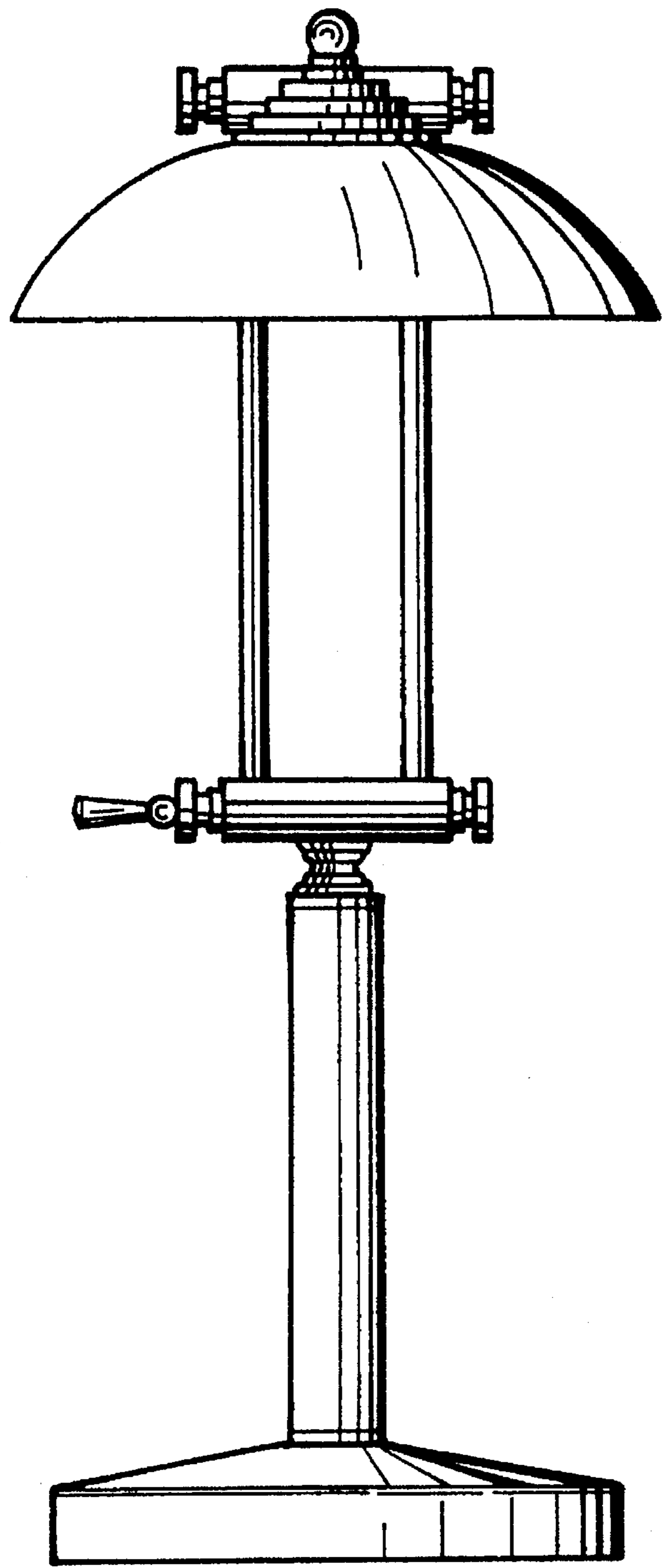


FIG. 4

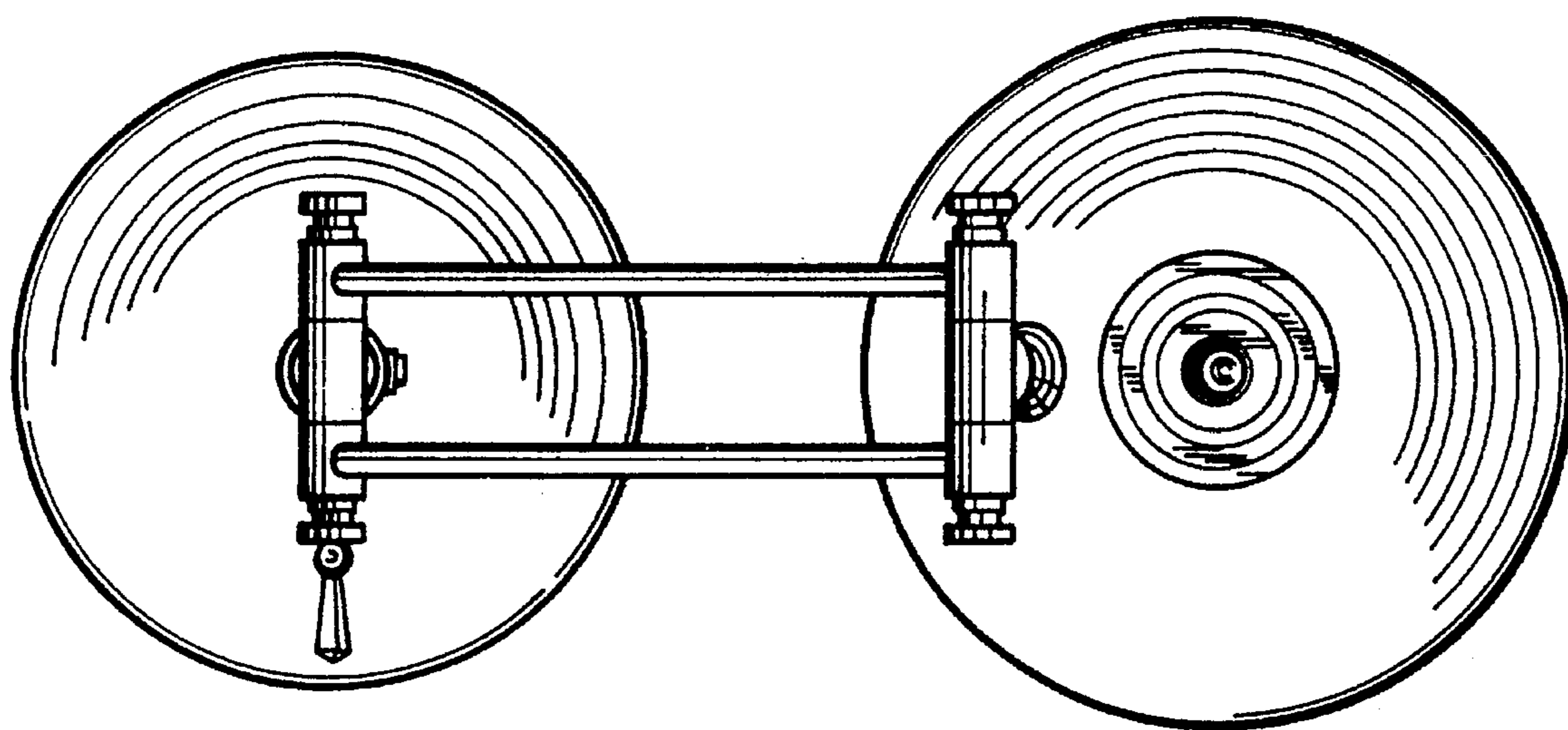


FIG. 5

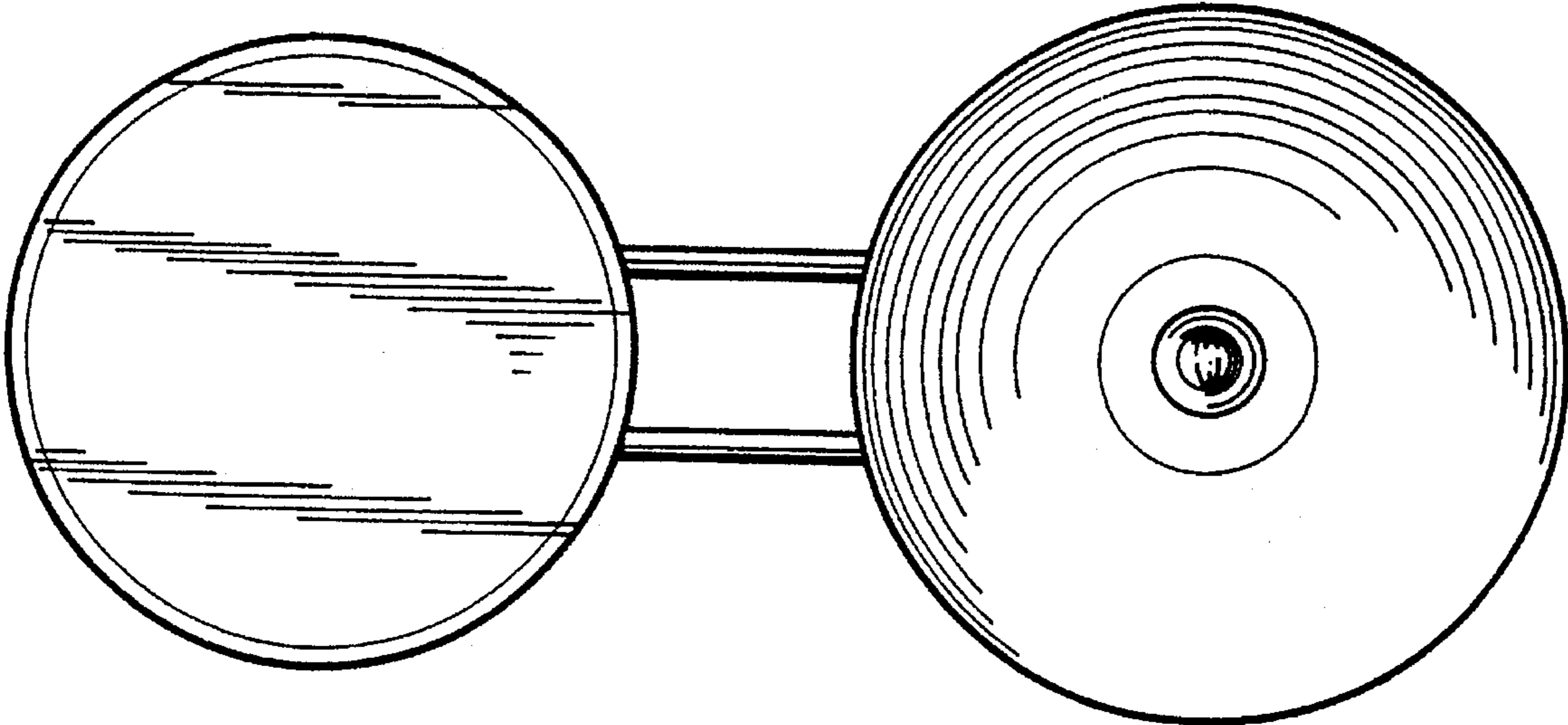


FIG. 6

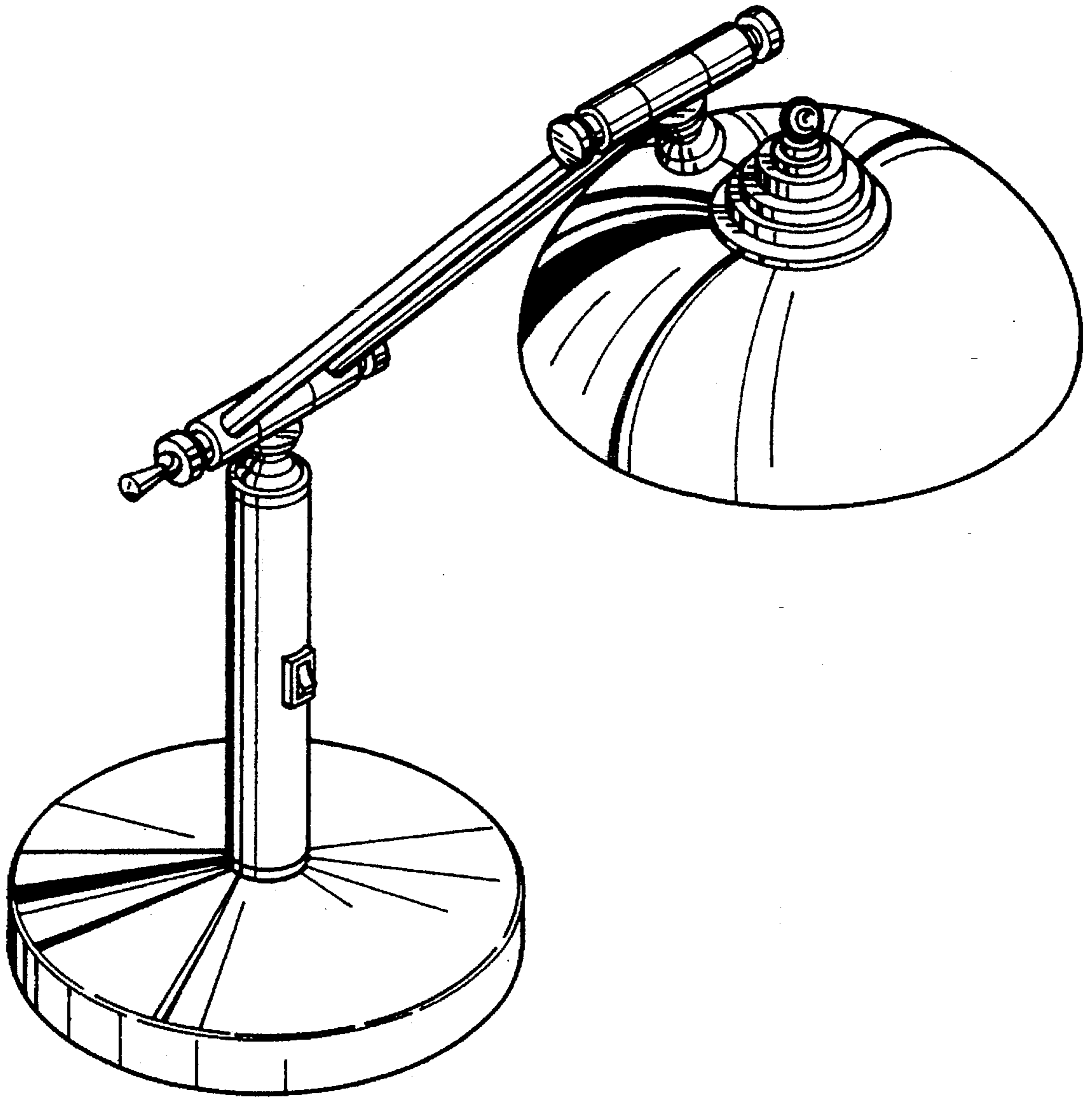


FIG. 7