



US00D375377S

United States Patent [19]

Leen

[11] Patent Number: **Des. 375,377**

[45] Date of Patent: ****Nov. 5, 1996**

[54] **HALOGEN WORK LIGHT**

[76] Inventor: **Monte A. Leen**, 1804 W. Lake Sammamish Pkwy. NE., Bellevue, Wash. 98008

[**] Term: **14 Years**

[21] Appl. No.: **36,333**

[22] Filed: **Mar. 17, 1995**

[52] U.S. Cl. **D26/63; D26/119**

[58] Field of Search D26/37-50, 119, D26/63; 362/157, 158, 217, 258, 376, 377, 378, 269, 274, 275, 285, 418, 419, 427, 396

[56] **References Cited**

U.S. PATENT DOCUMENTS

D. 120,924	6/1940	Steber	D26/119
D. 244,715	6/1977	Fierro et al.	D26/119
D. 251,751	5/1979	Lawrence et al.	D26/119
D. 331,634	12/1992	Browne	D26/119
D. 359,371	6/1995	Osteen et al.	D26/63

D. 365,408	12/1995	Lui	D26/63
D. 367,540	2/1996	Lee	D26/63
2,861,175	11/1958	Schweikle	D26/119

Primary Examiner—A. Hugo Word
Assistant Examiner—Marcus Jackson
Attorney, Agent, or Firm—Christensen, O'Connor, Johnson & Kindness PLLC

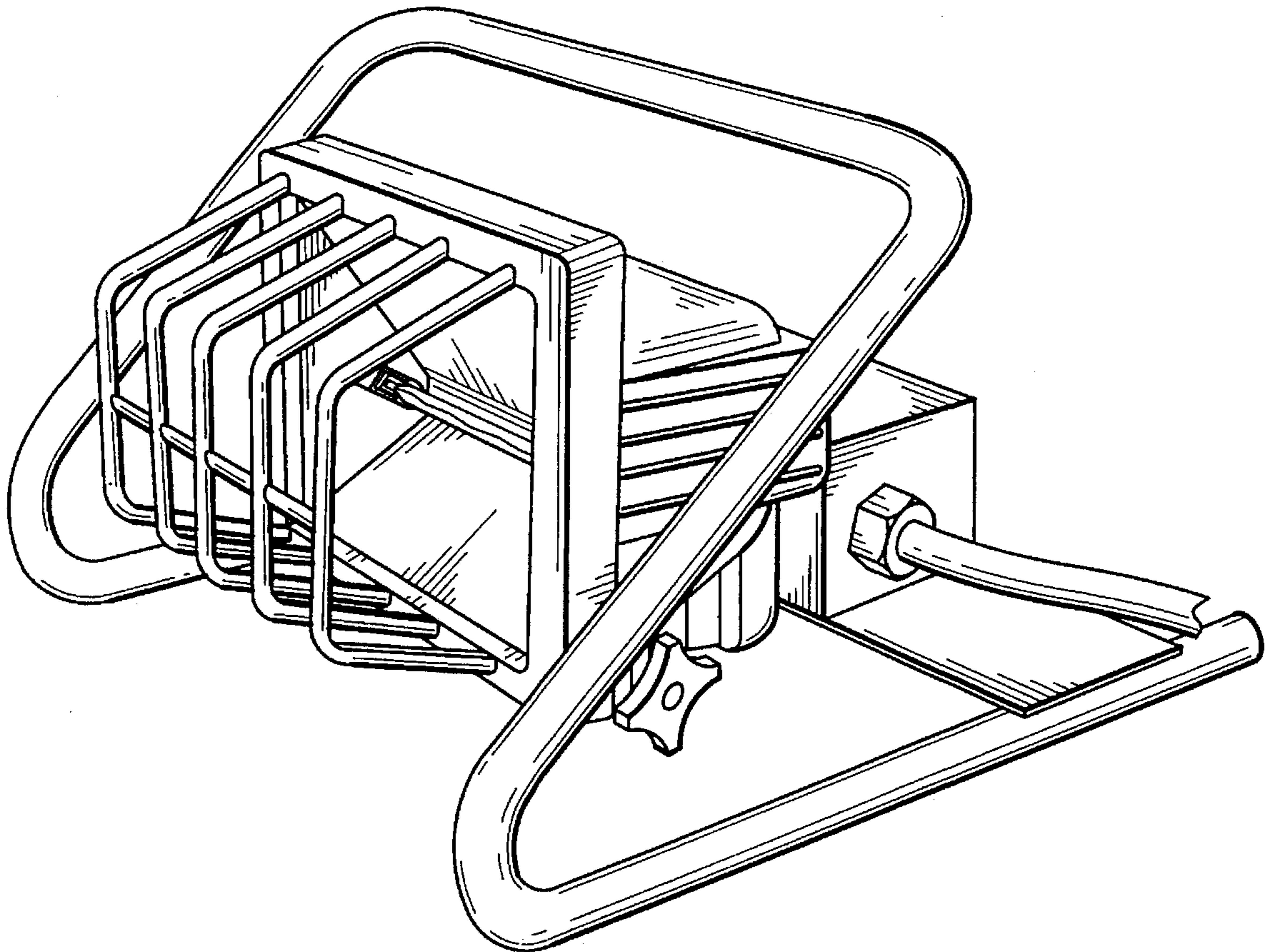
[57] **CLAIM**

The ornamental design for a halogen work light, as shown and described.

DESCRIPTION

FIG. 1 is a top isometric view of a halogen work light showing my new design, with the cords broken away to indicate indeterminate length;
FIG. 2 is a top plan view thereof;
FIG. 3 is a bottom plan view thereof;
FIG. 4 is a back elevational view thereof;
FIG. 5 is a front elevational view thereof;
FIG. 6 is a side elevational view thereof; and,
FIG. 7 is a side elevational view thereof.

1 Claim, 4 Drawing Sheets



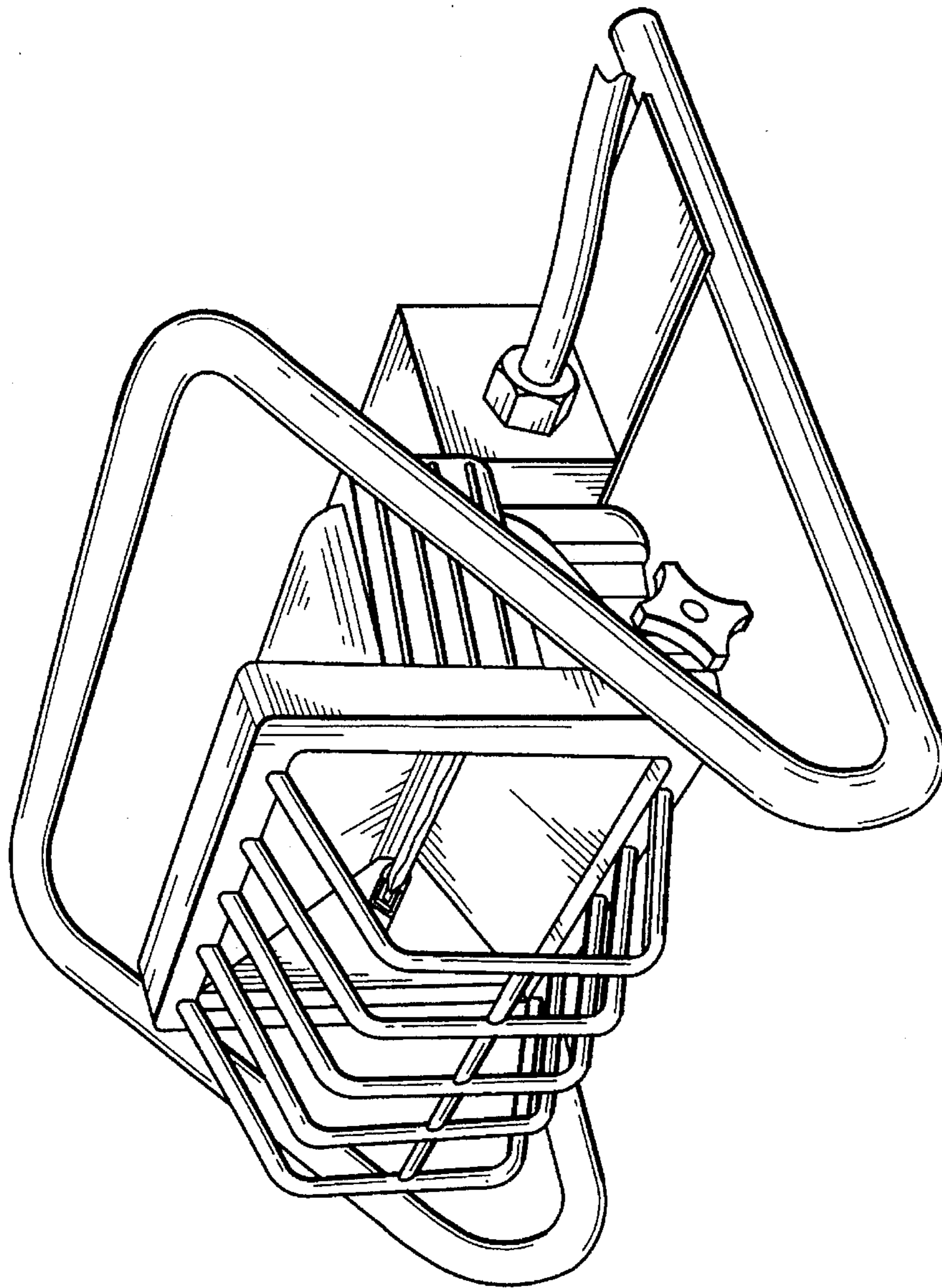


Fig. 1.

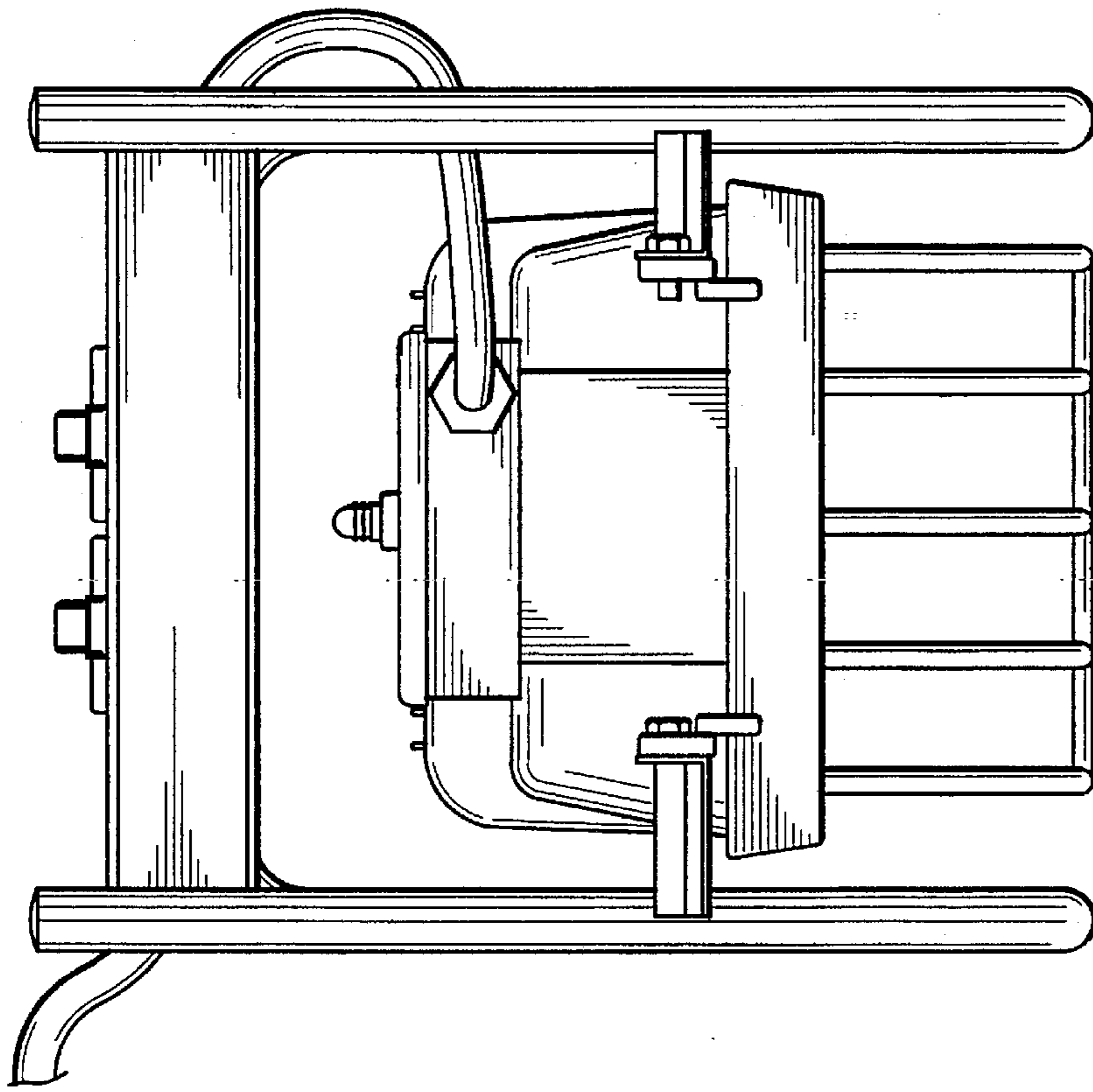


Fig. 3.

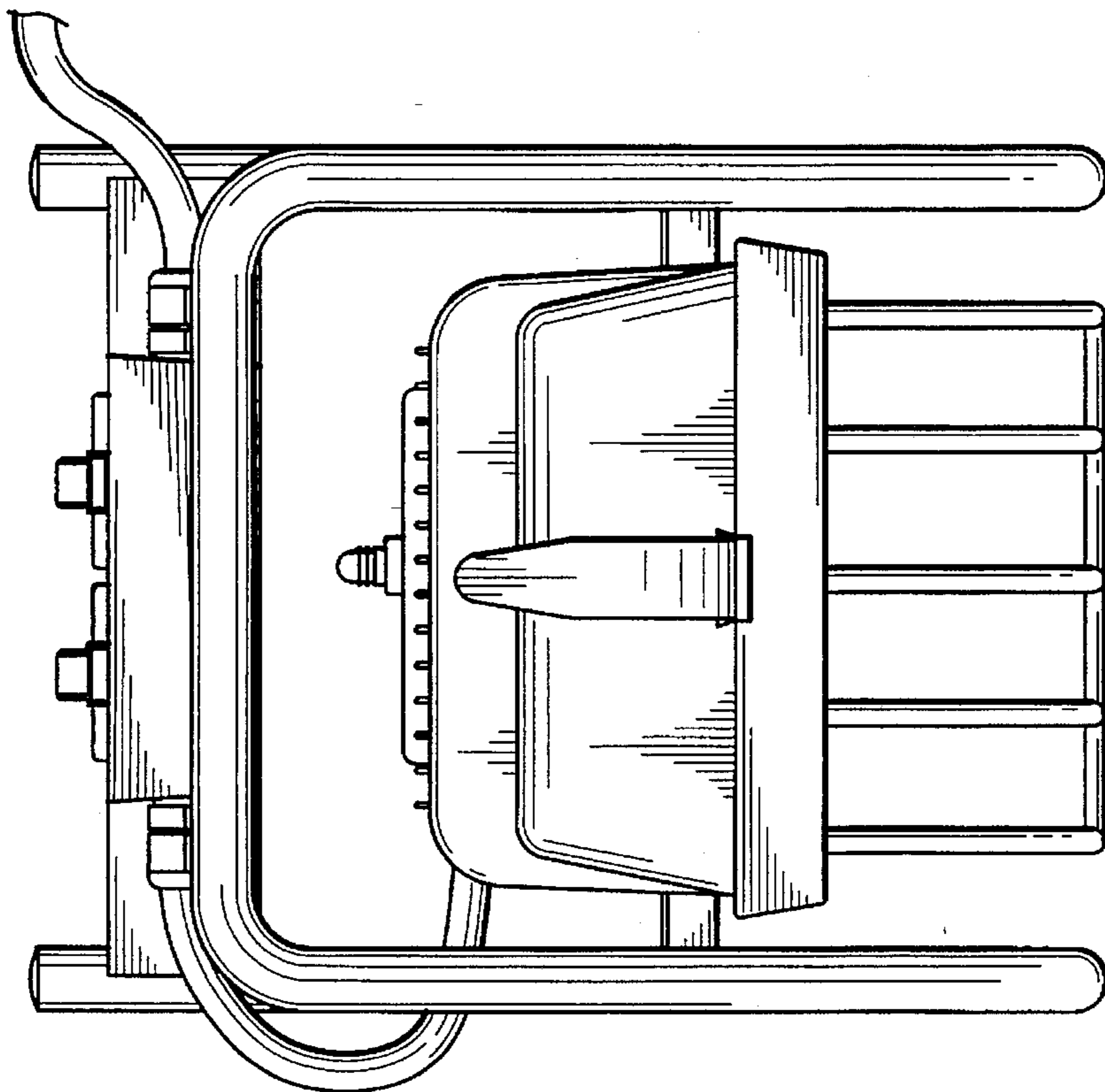


Fig. 2.

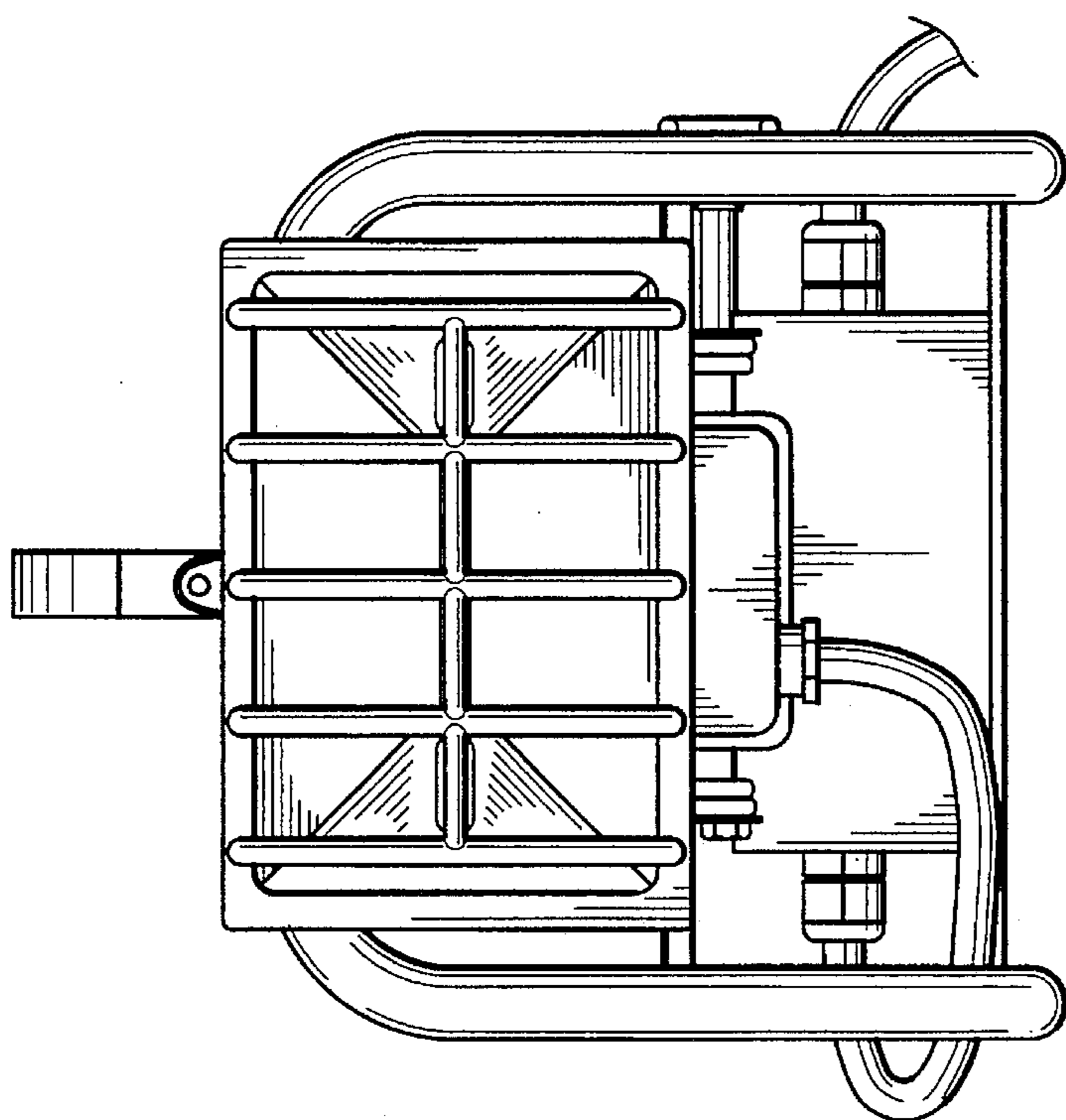


Fig. 5.

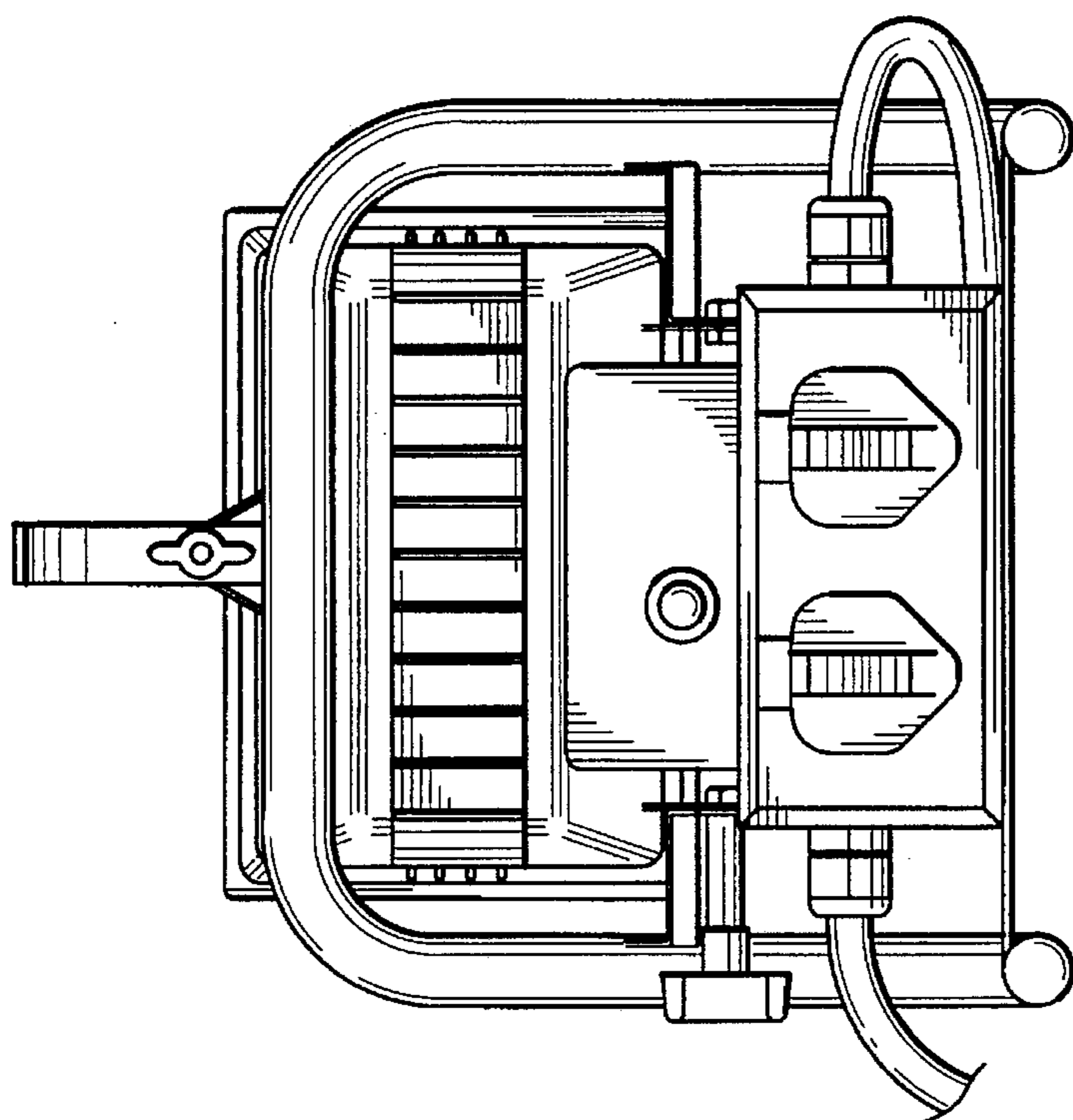


Fig. 4.

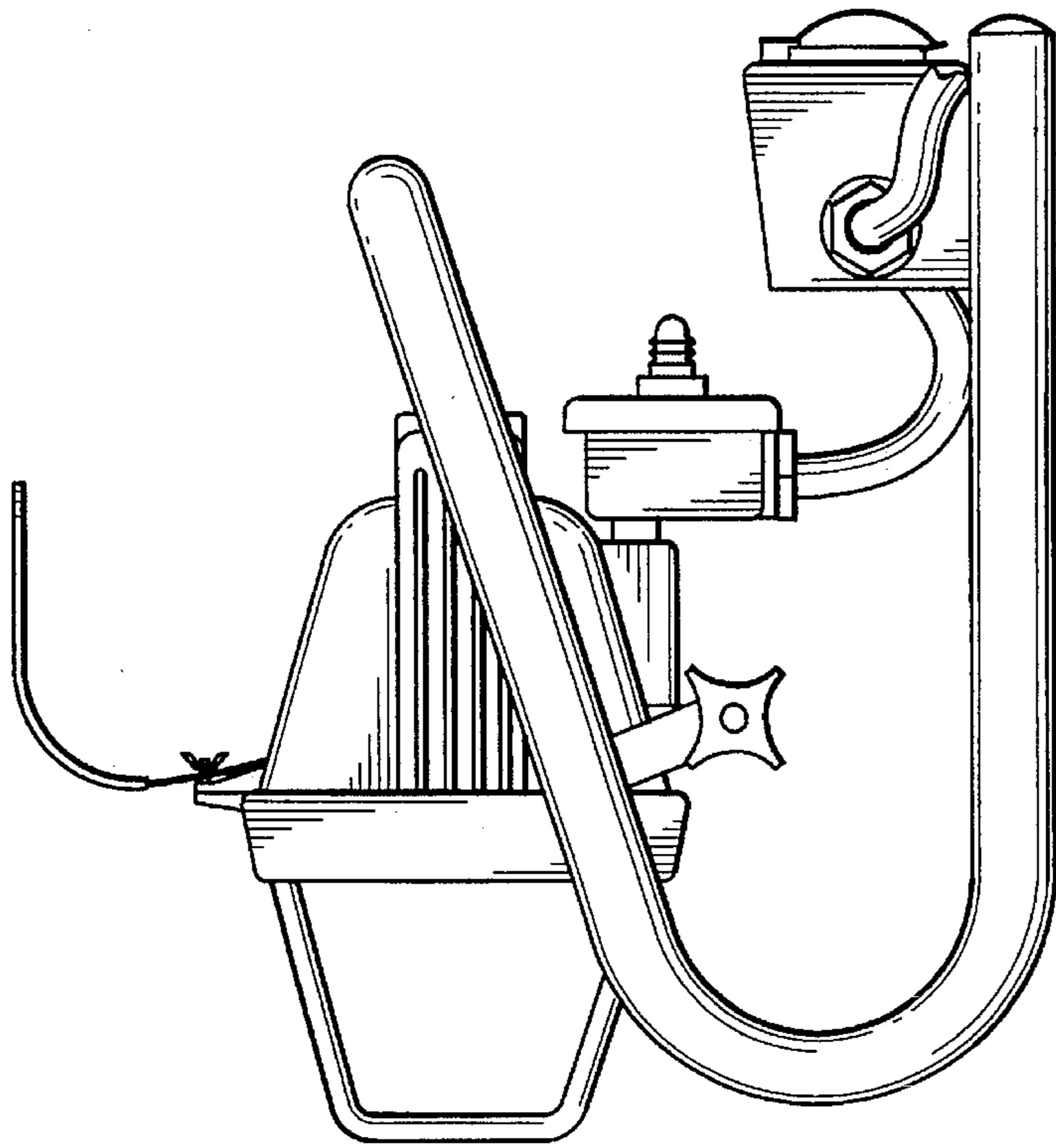


Fig. 7.

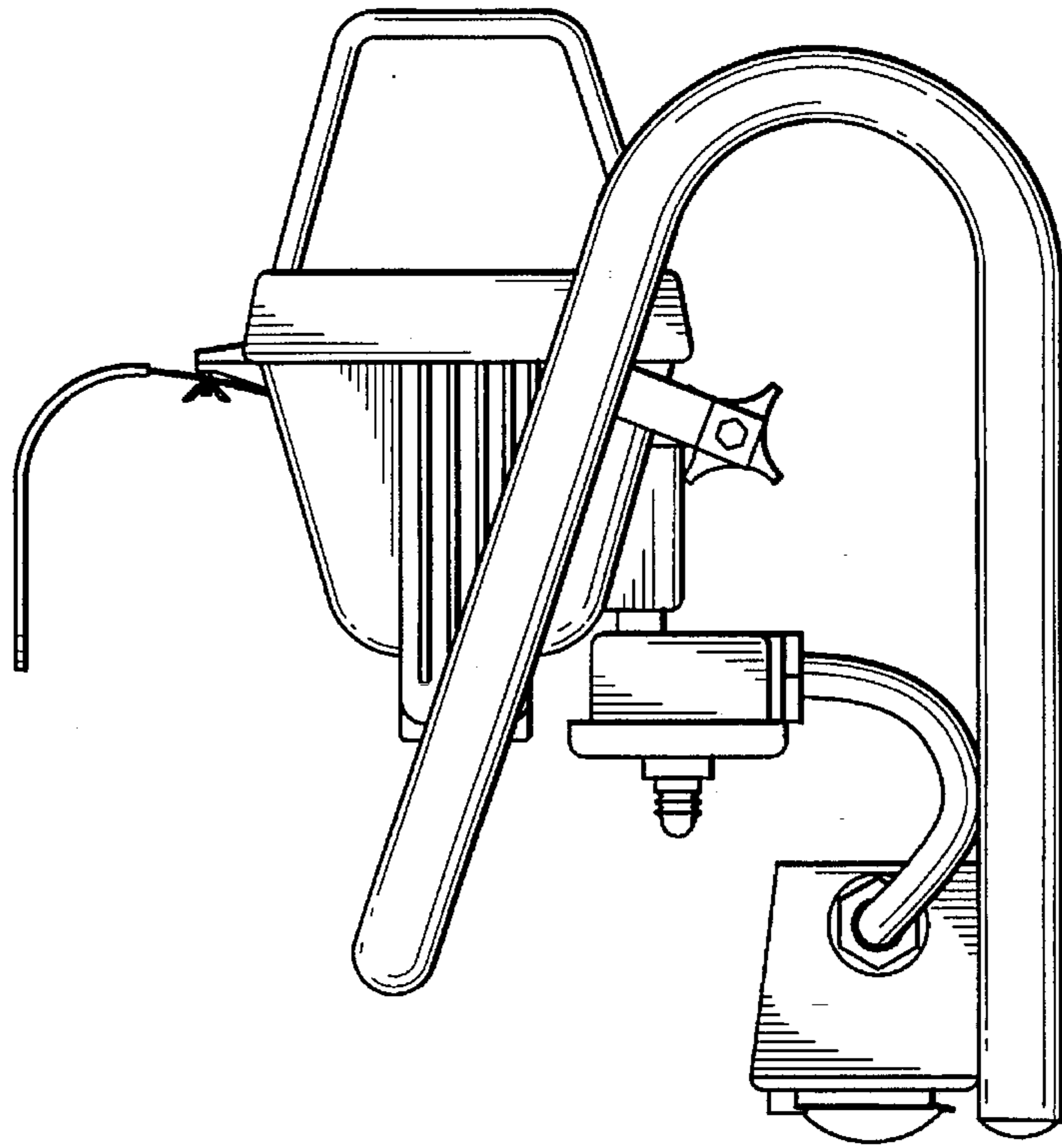


Fig. 6.