



US00D375376S

United States Patent [19]
Shen

[11] **Patent Number:** **Des. 375,376**
[45] **Date of Patent:** ****Nov. 5, 1996**

[54] **HOUSING FOR PORTABLE SEARCH LIGHT**

[76] Inventor: **Wei H. Shen**, 6F, No. 416, Sec. 4, Jen Ai Rd., Taipei, Taiwan

[**] Term: **14 Years**

[21] Appl. No.: **28,172**

[22] Filed: **Sep. 8, 1994**

[52] U.S. Cl. **D26/63**

[58] **Field of Search** D26/61, 63, 65;
362/269, 275, 282, 285, 418, 419, 427

[56] **References Cited**

U.S. PATENT DOCUMENTS

D. 345,026	3/1994	Pottebaum	D26/63
4,935,854	6/1990	Kernodle	362/275
5,243,507	9/1993	Atkins et al.	362/269 X

Primary Examiner—Susan J. Lucas
Attorney, Agent, or Firm—Browdy and Neimark

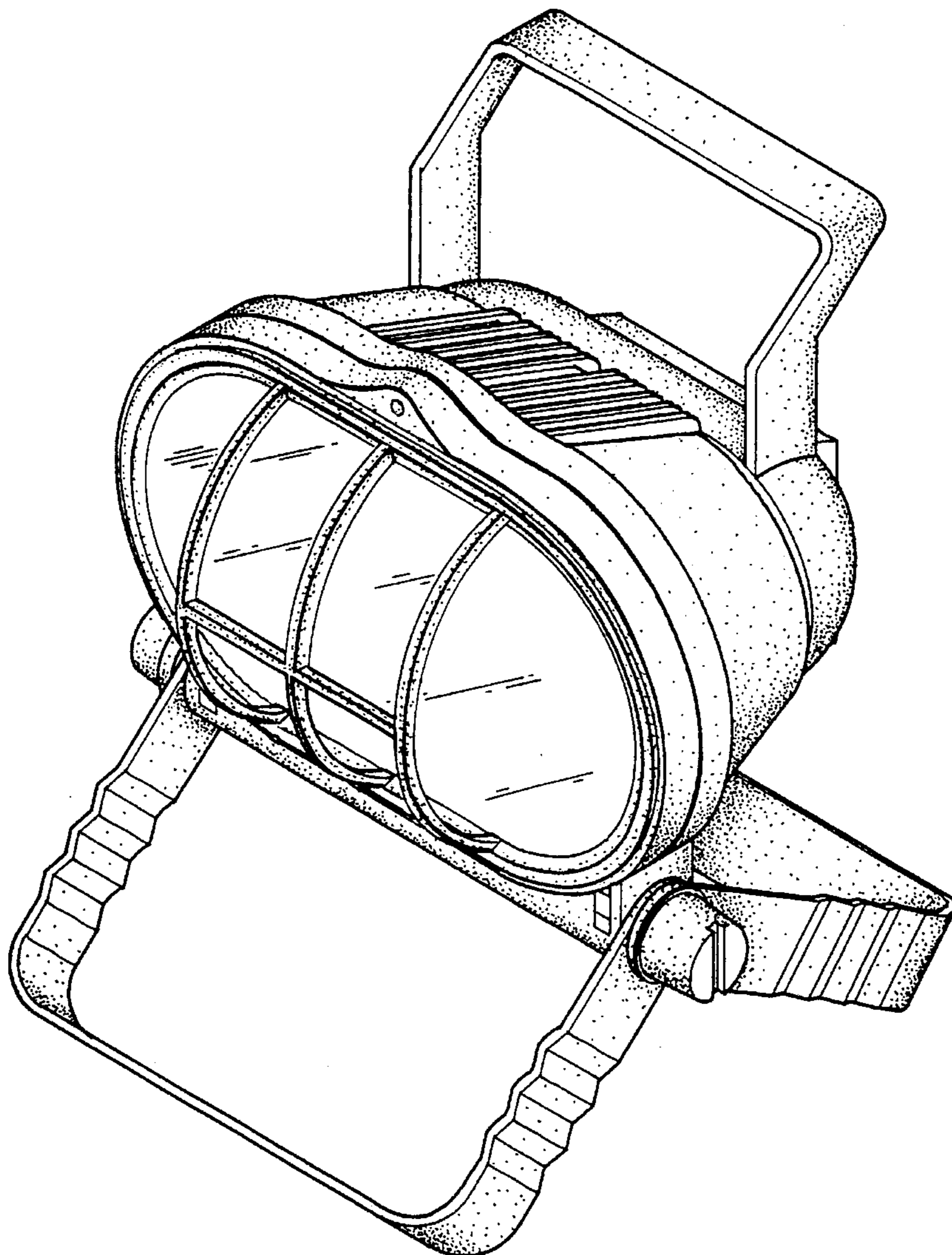
[57] **CLAIM**

A ornamental design for housing for portable search light, as shown and described.

DESCRIPTION

FIG. 1 is the perspective view of a design for search light showing my design;
FIG. 2 is the front elevational view thereof;
FIG. 3 is the rear elevational view thereof;
FIG. 4 is the left side elevational view thereof;
FIG. 5 is the right side elevational view thereof;
FIG. 6 is the top plan view thereof;
FIG. 7 is the bottom plan view thereof; and,
FIG. 8 is a fragmentary perspective view showing the front exterior contour of the housing adjacent the lens thereof, the housing being fragmentarily shown for convenience of illustration.
The broken lines are shown in FIG. 2 for illustrative purposes only and form no part of the claimed design.

1 Claim, 8 Drawing Sheets



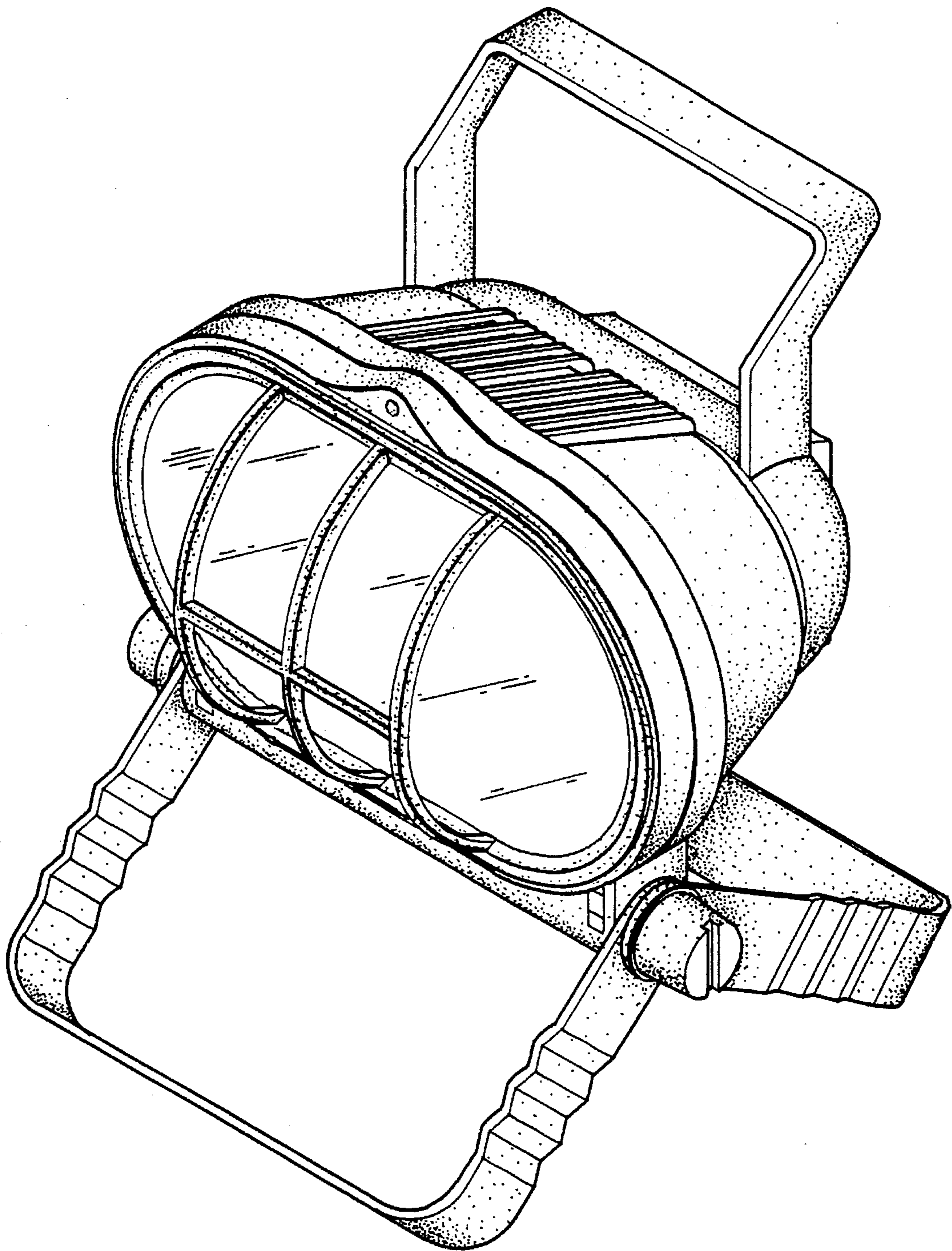


FIG. 1

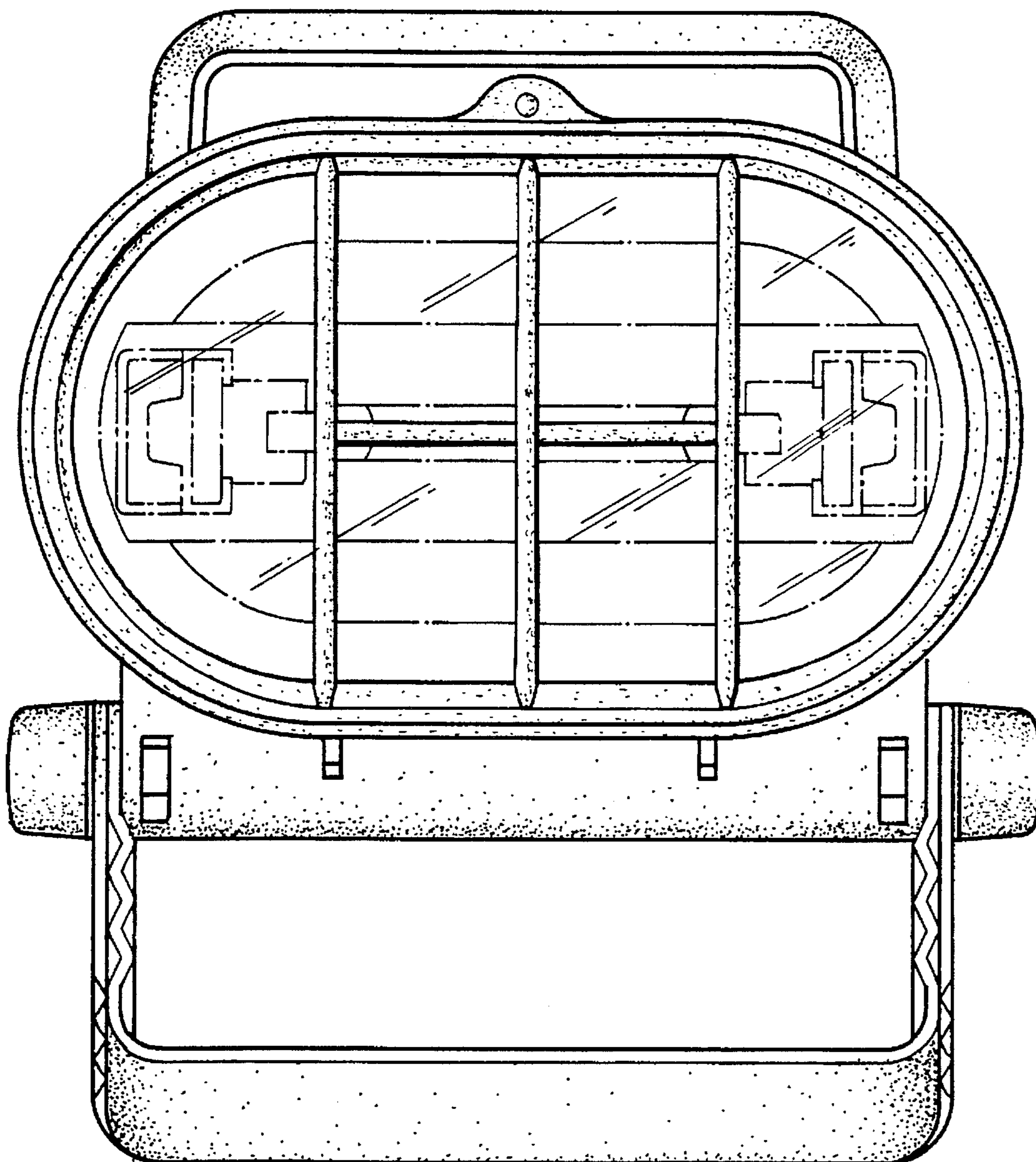


FIG.2

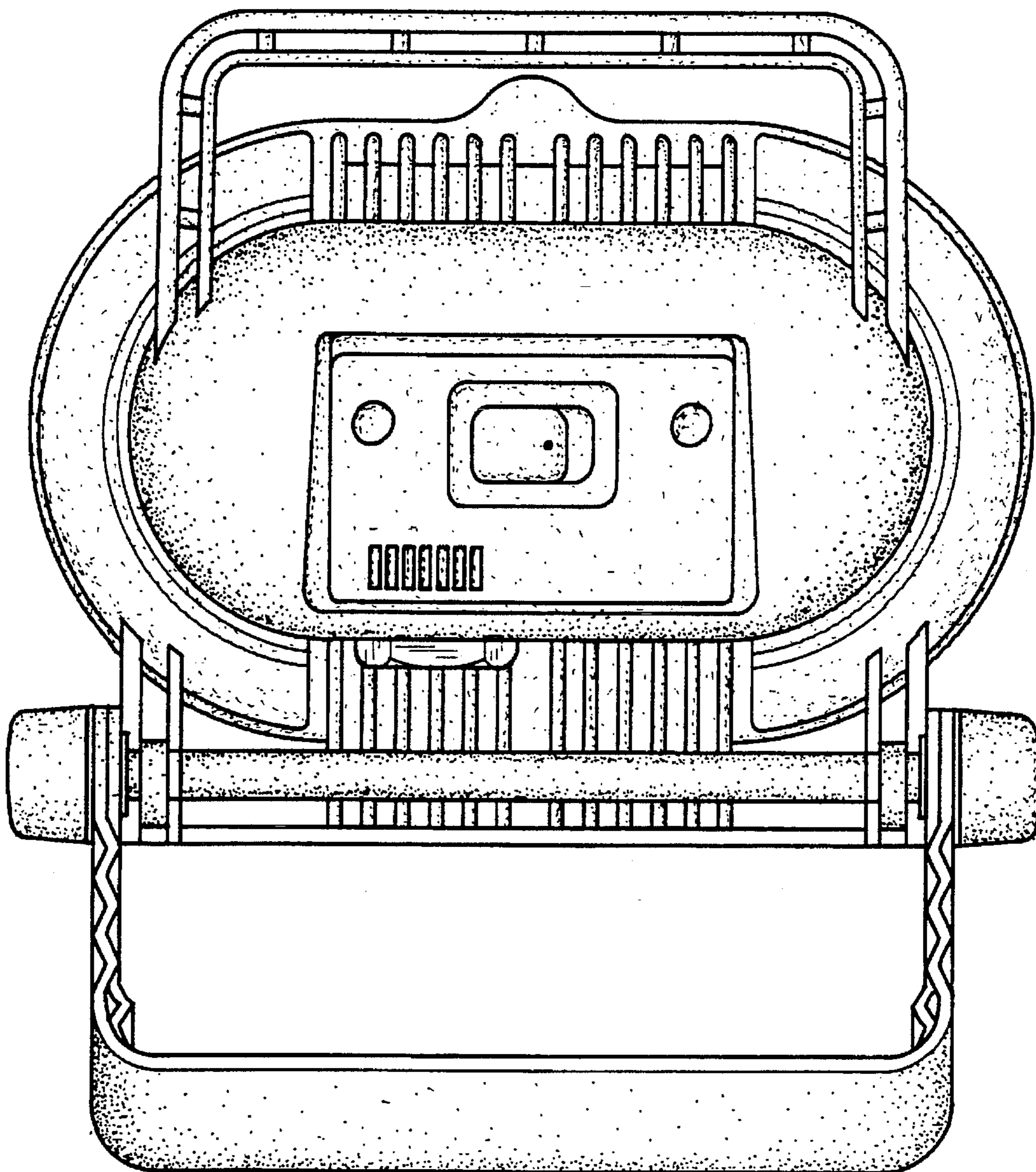


FIG.3

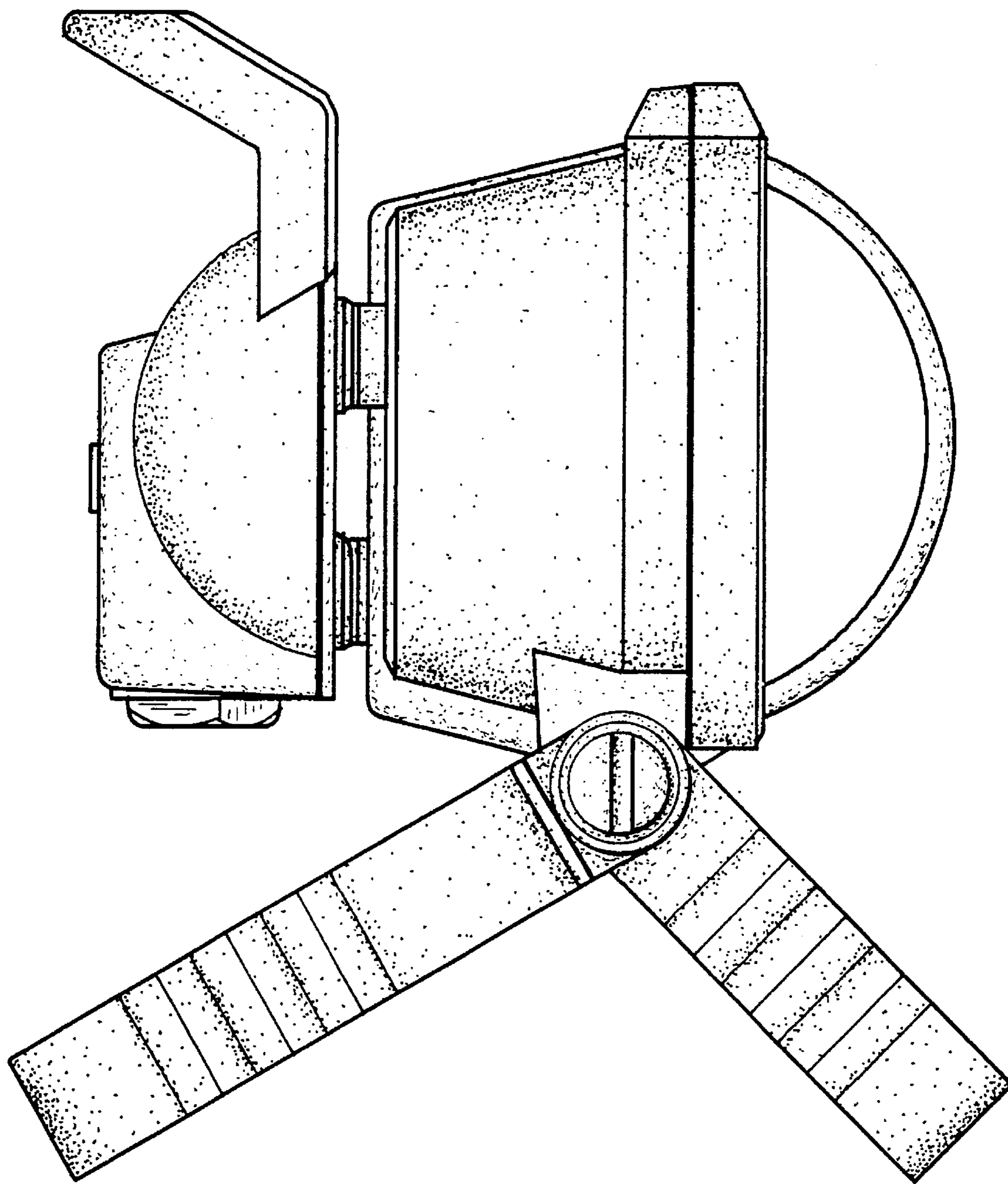


FIG. 4

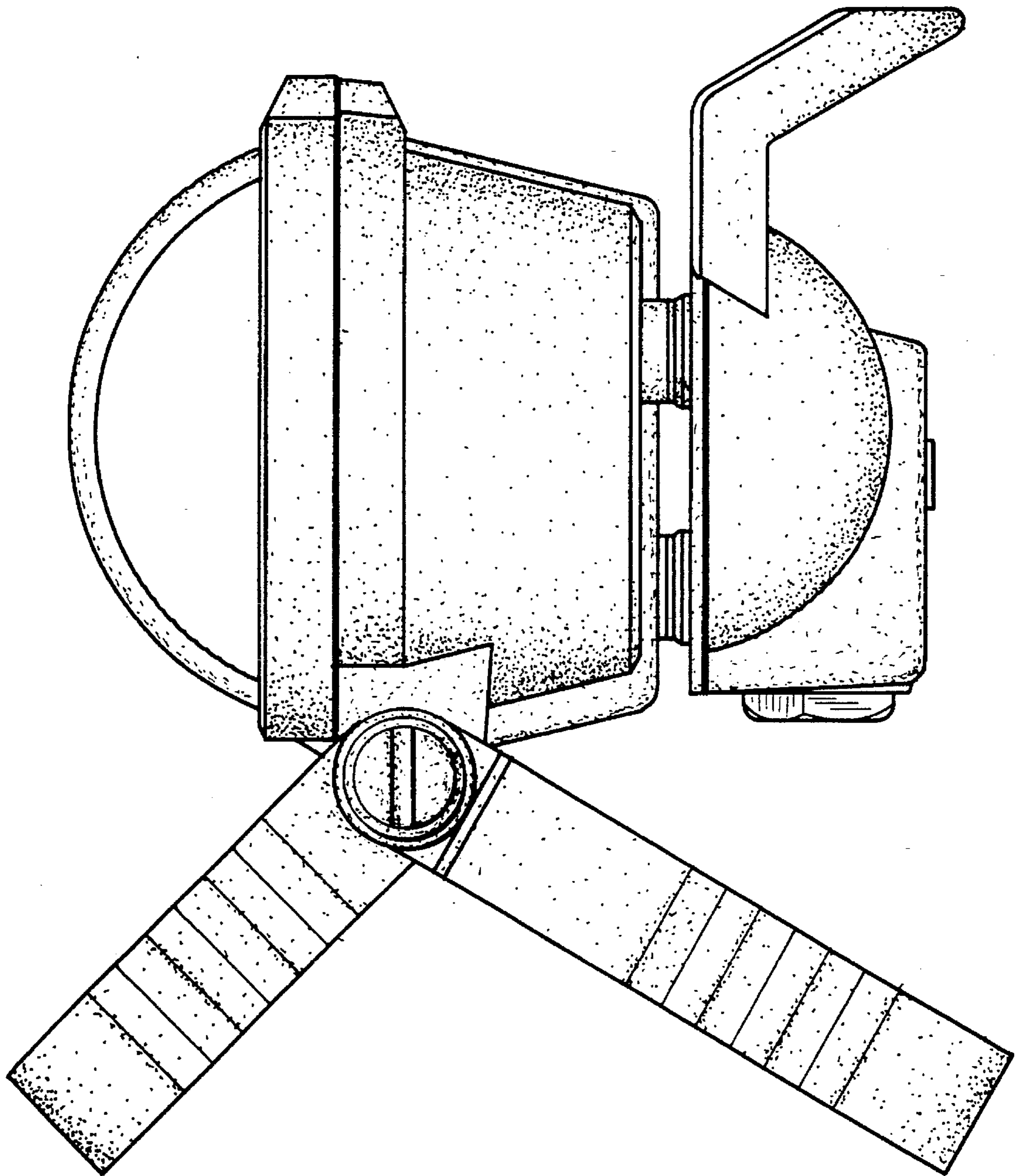


FIG. 5

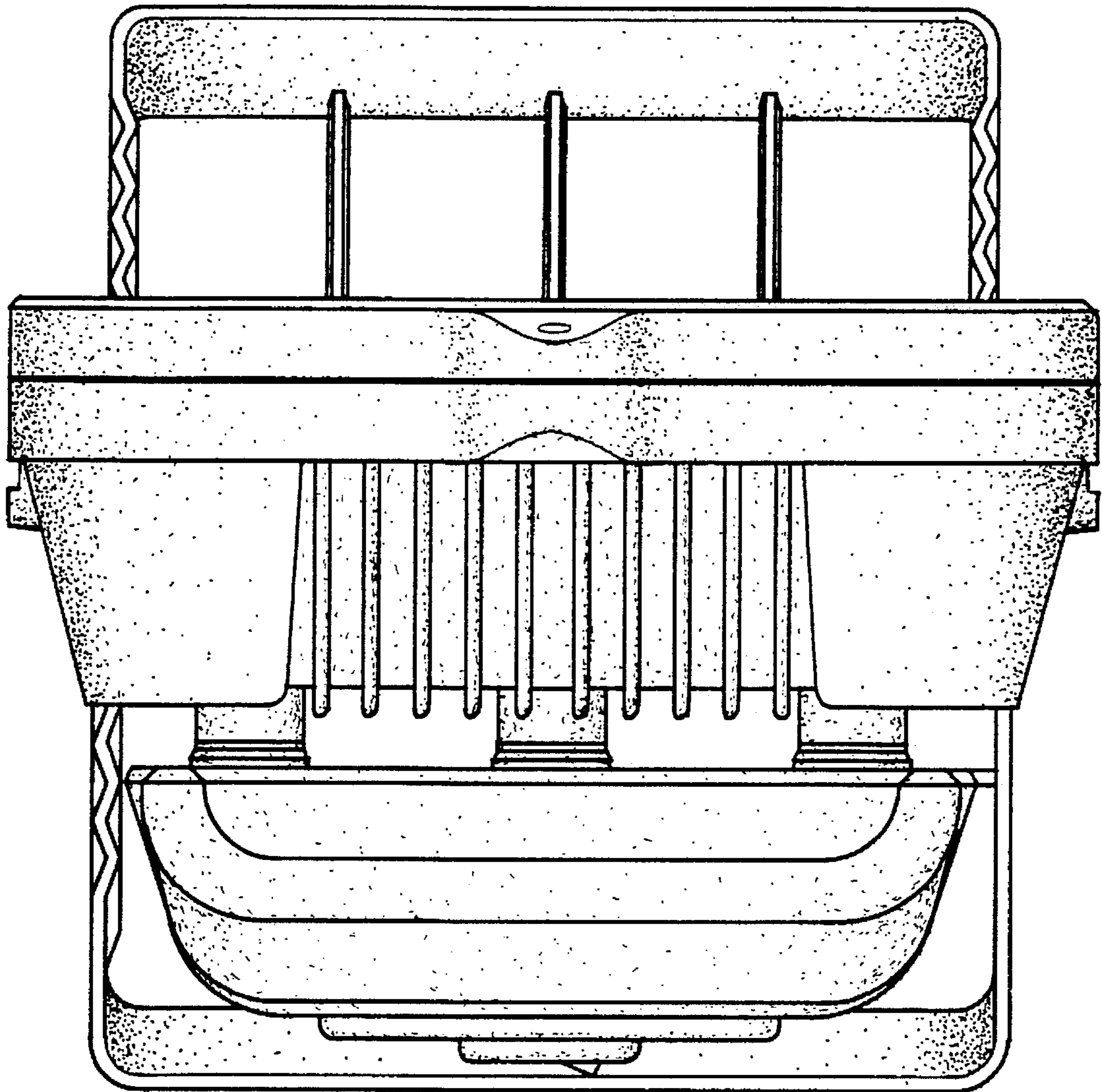


FIG. 6

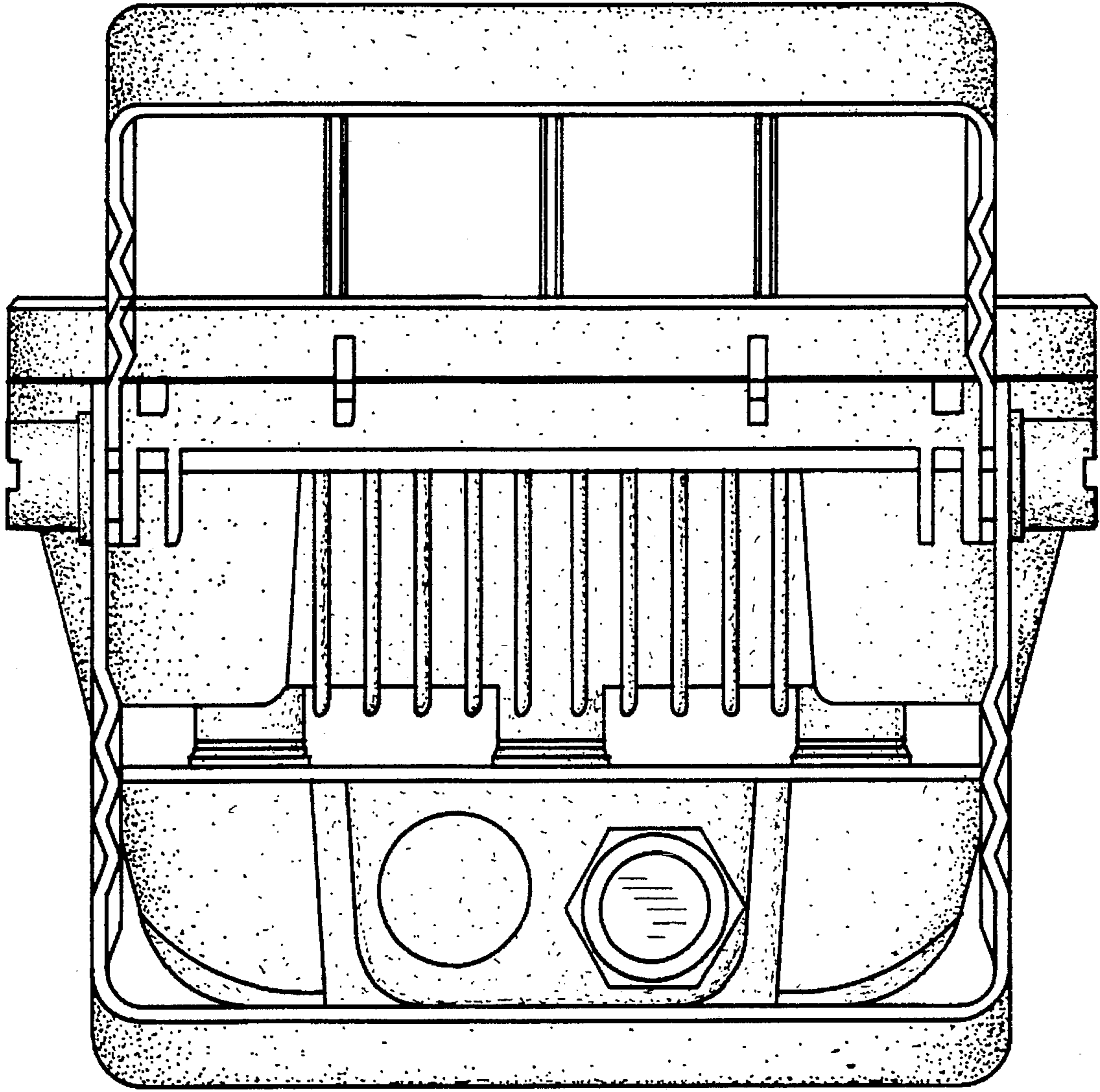


FIG. 7

FIG. 8

