



US00D375375S

United States Patent [19]
Poon

[11] **Patent Number:** **Des. 375,375**

[45] **Date of Patent:** ****Nov. 5, 1996**

[54] **RECHARGEABLE FLASHLIGHT**

[75] Inventor: **Tit-ying Poon**, Shatin, Hong Kong

[73] Assignee: **Flying Dragon Development Ltd.**,
Hong Kong

[**] Term: **14 Years**

[21] Appl. No.: **49,215**

[22] Filed: **Jan. 19, 1996**

[52] **U.S. Cl.** **D26/44**

[58] **Field of Search** **D26/37-59; 362/157,**
362/158, 183-191, 194-205

[56] **References Cited**

U.S. PATENT DOCUMENTS

| | | | | |
|------------|---------|---------|-------|--------|
| D. 265,594 | 7/1982 | Mann | | D26/37 |
| D. 276,375 | 11/1984 | Fenne | | D26/44 |
| D. 284,106 | 6/1986 | Drane | | D26/44 |
| D. 302,013 | 7/1989 | Yuen | | D26/38 |
| D. 321,263 | 10/1991 | Yuen | | D26/38 |
| D. 337,840 | 7/1993 | Ekeroth | | D26/44 |

D. 351,480 10/1994 Bamber et al. D26/39
4,654,764 3/1987 Hsiao 362/199

Primary Examiner—Marcus A. Jackson
Attorney, Agent, or Firm—Samuels, Gauthier, Stevens &
Reppert

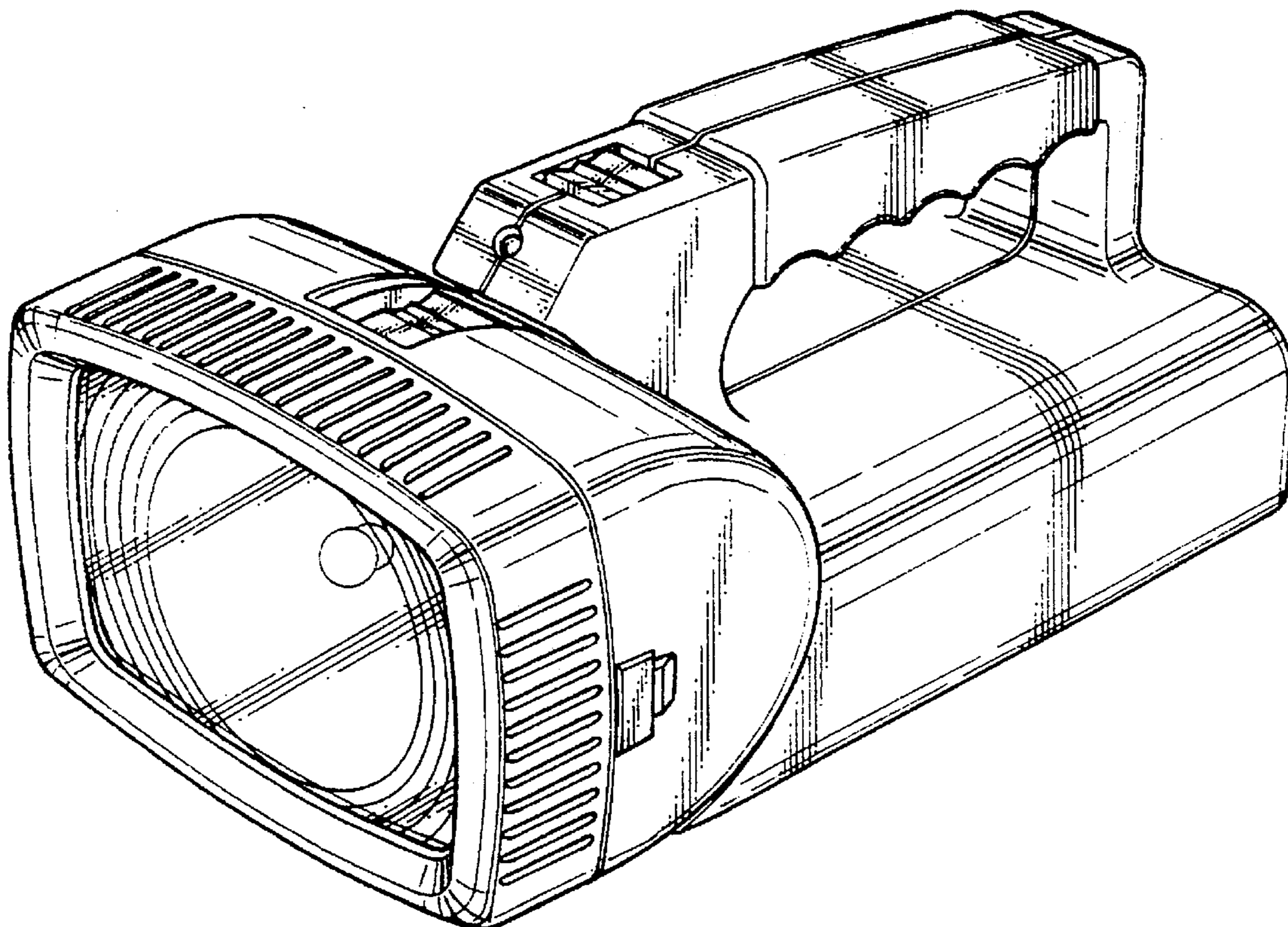
[57] **CLAIM**

The ornamental design for a rechargeable flashlight, as shown and described.

DESCRIPTION

FIG. 1 is a perspective view of a rechargeable flashlight showing my new design;
FIG. 2 is a perspective view with lighting head in alternative position;
FIG. 3 is a front elevational view thereof;
FIG. 4 is a rear elevational view thereof;
FIG. 5 is a side view thereof;
FIG. 6 is a top plan view thereof; and,
FIG. 7 is a bottom plan view thereof.

1 Claim, 3 Drawing Sheets



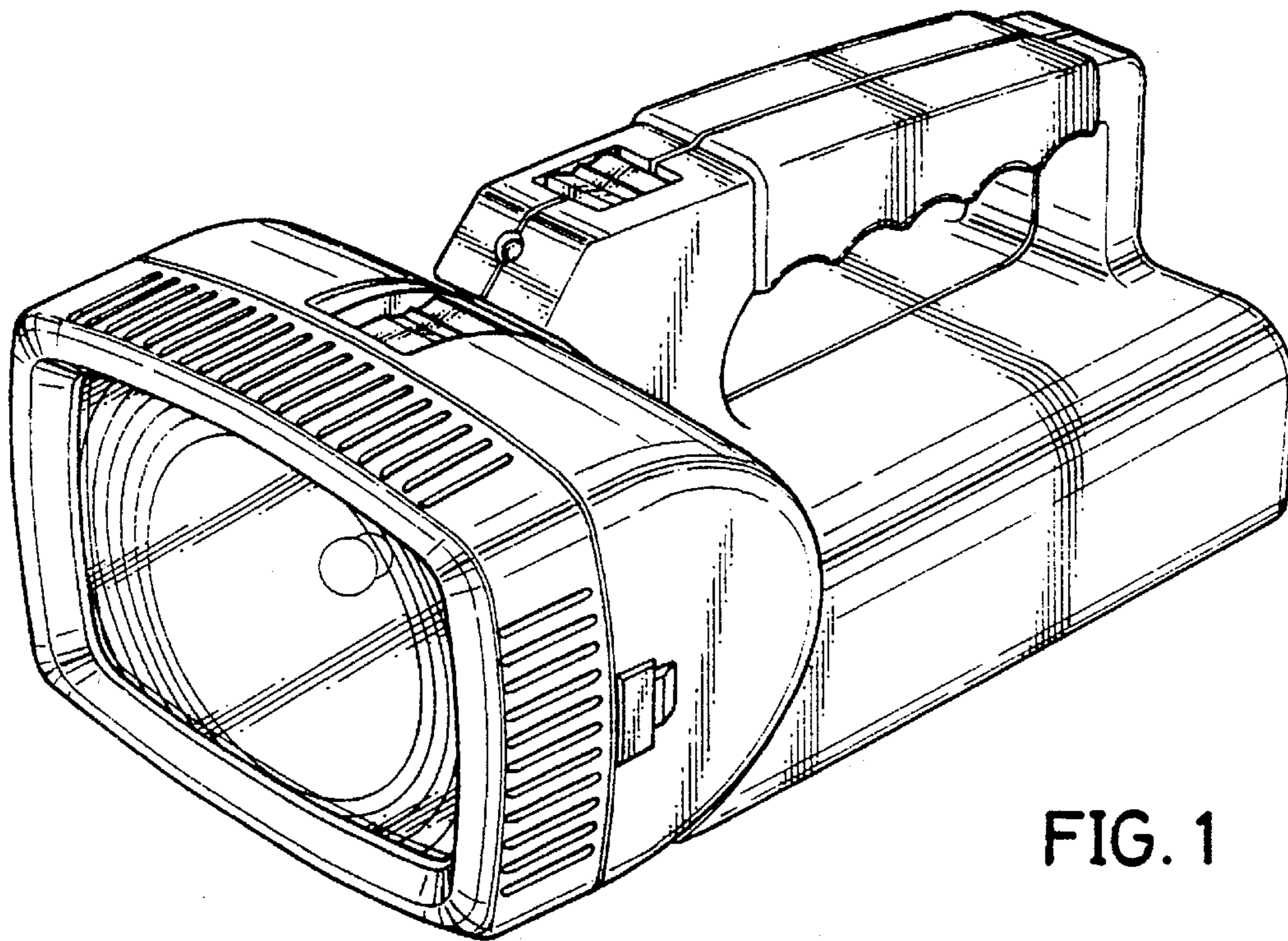


FIG. 1

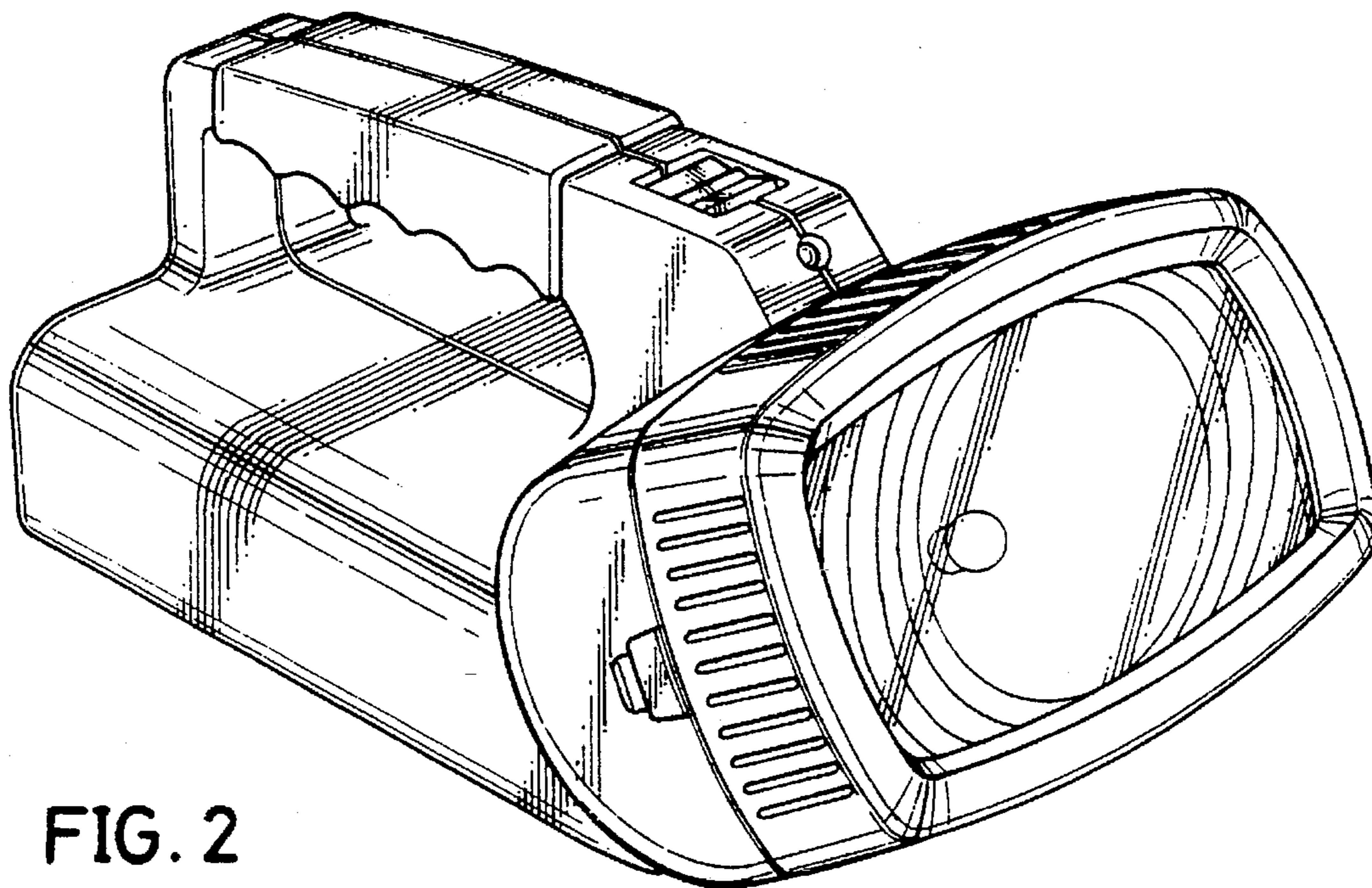


FIG. 2

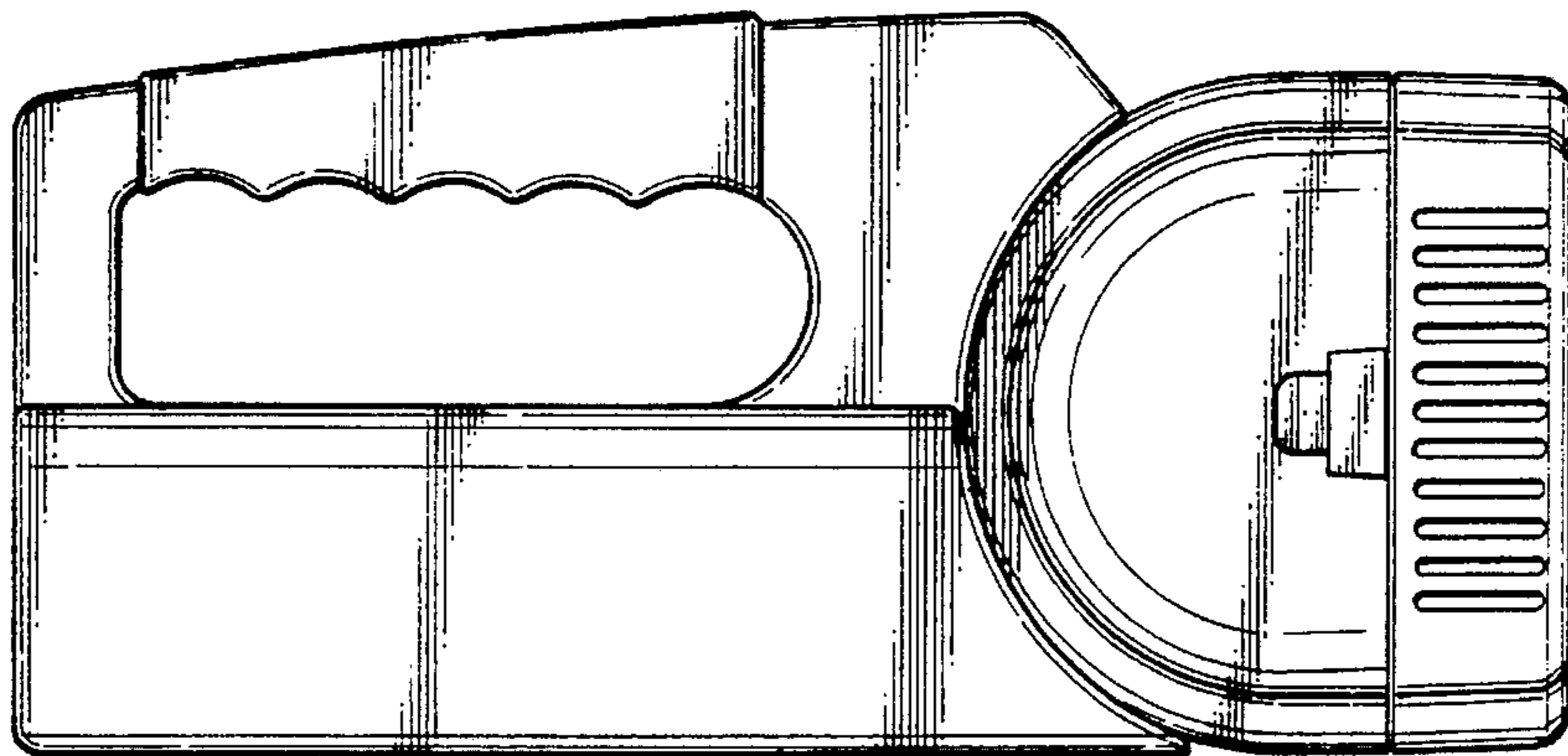


FIG. 5

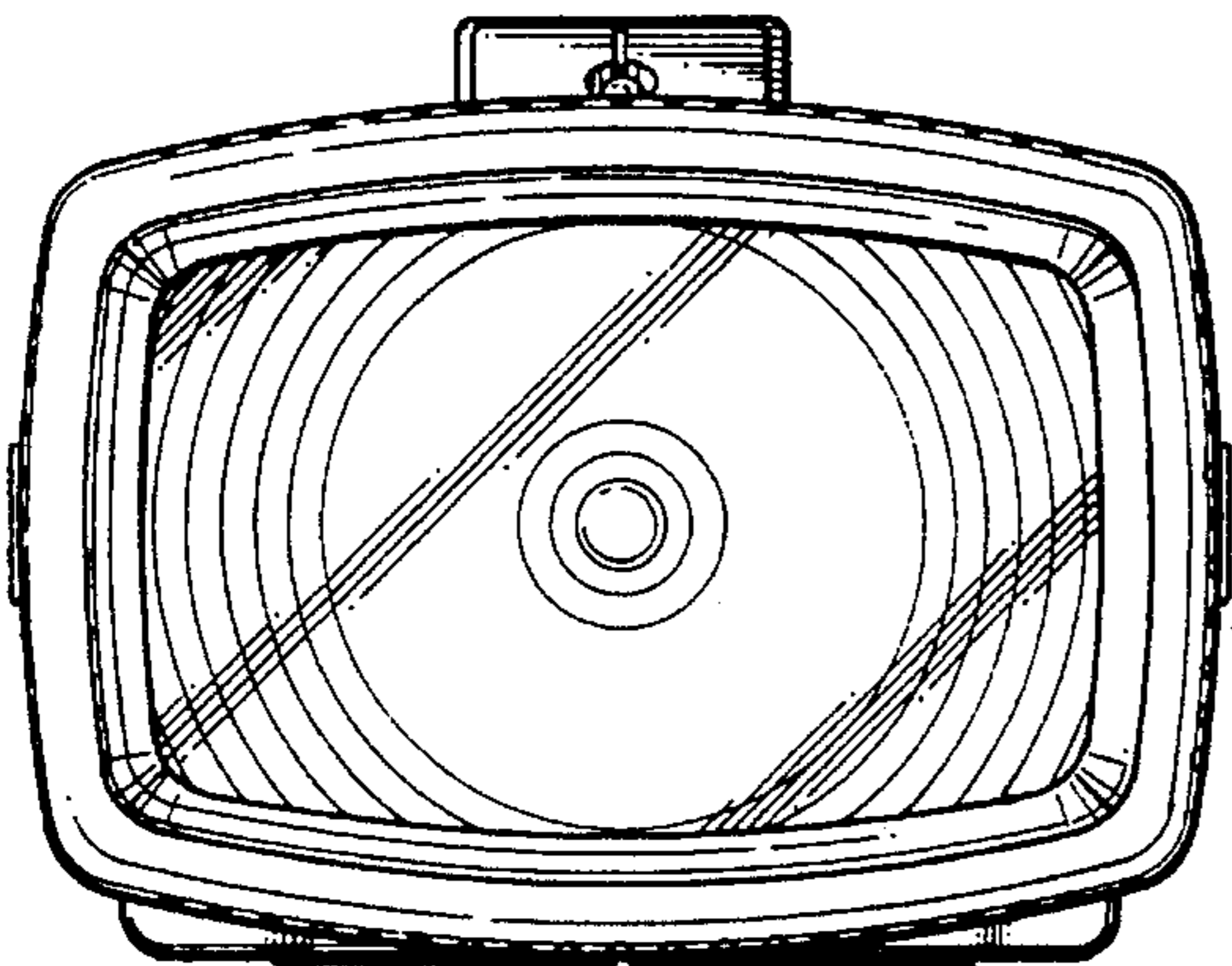


FIG. 3

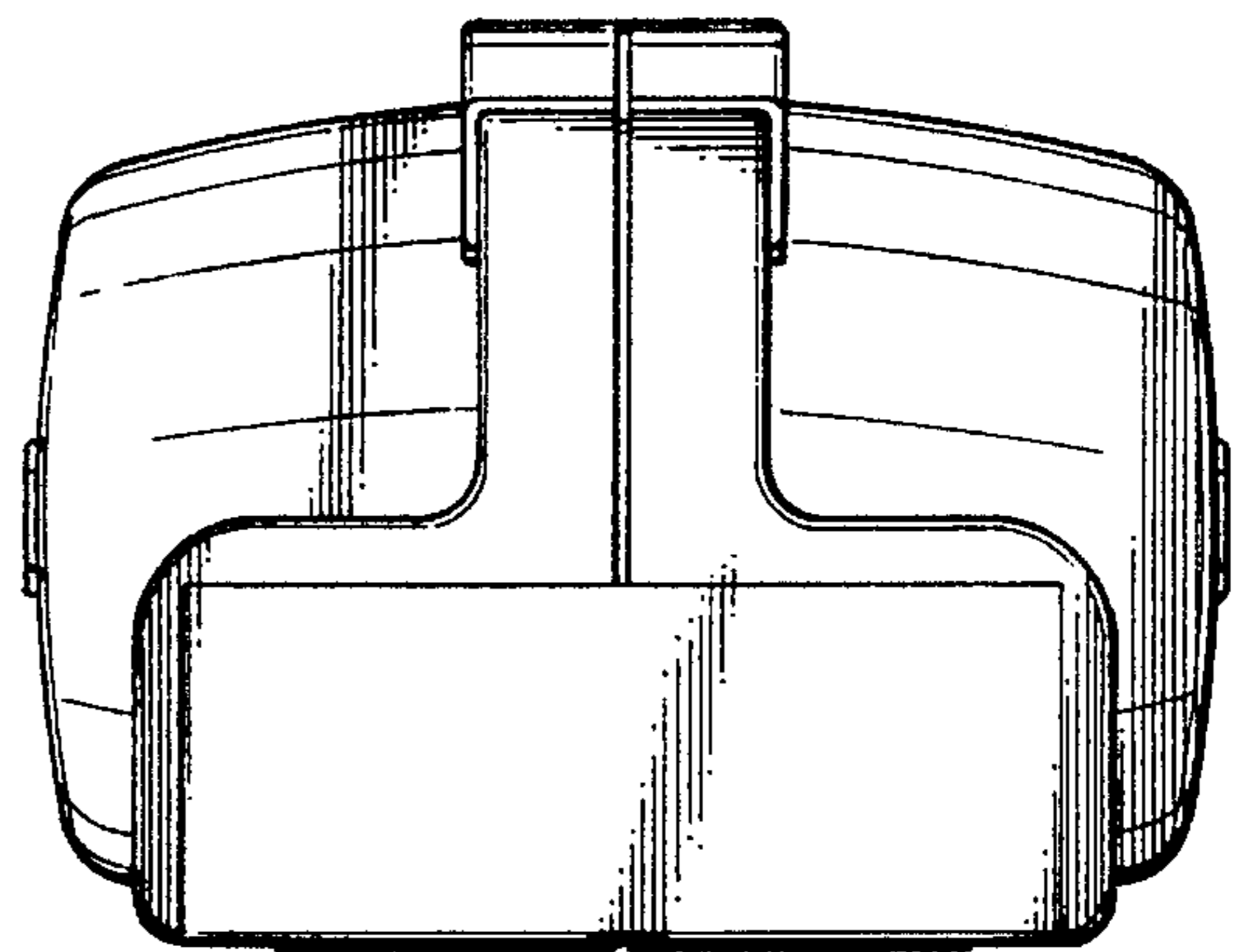


FIG. 4

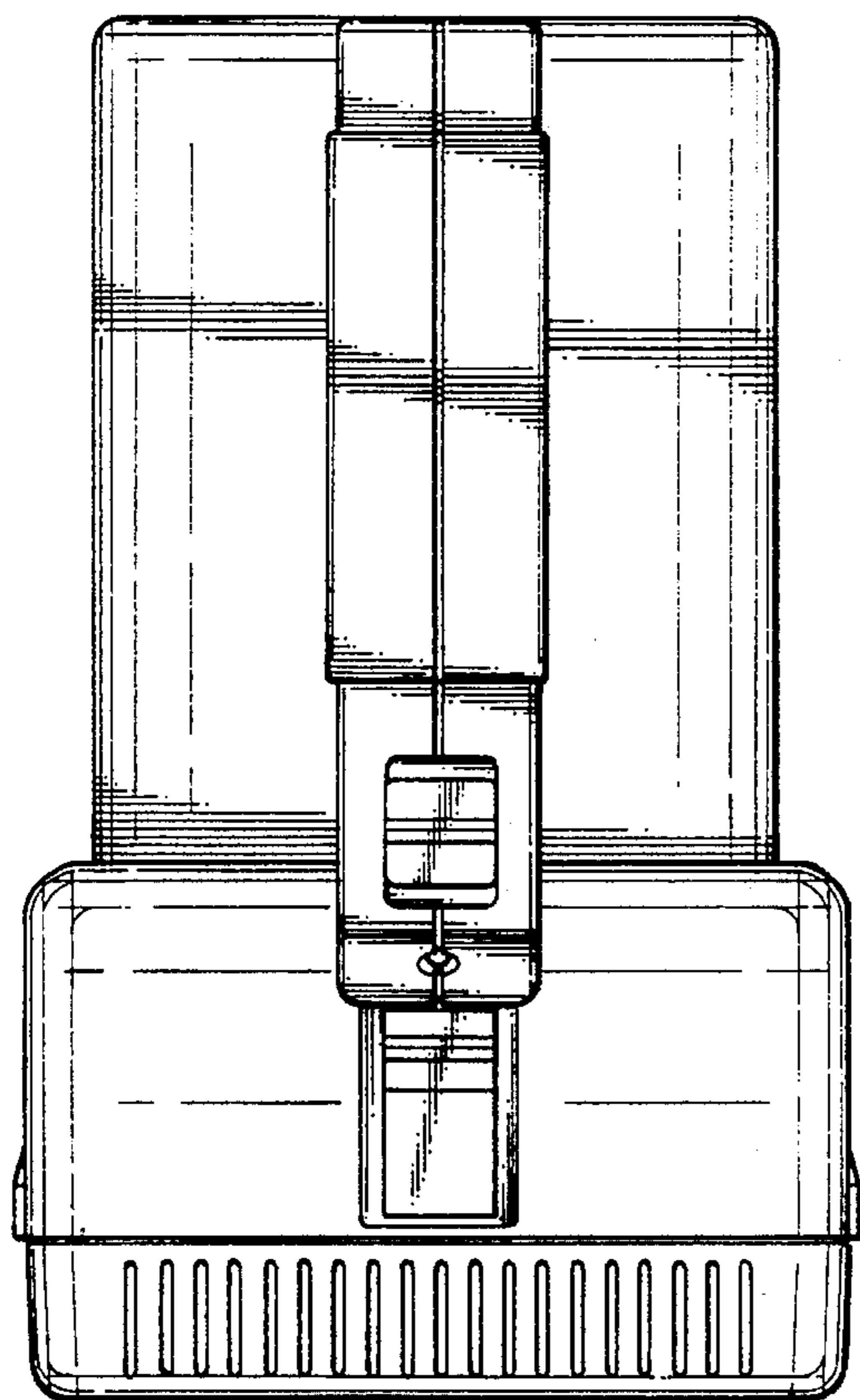


FIG. 6

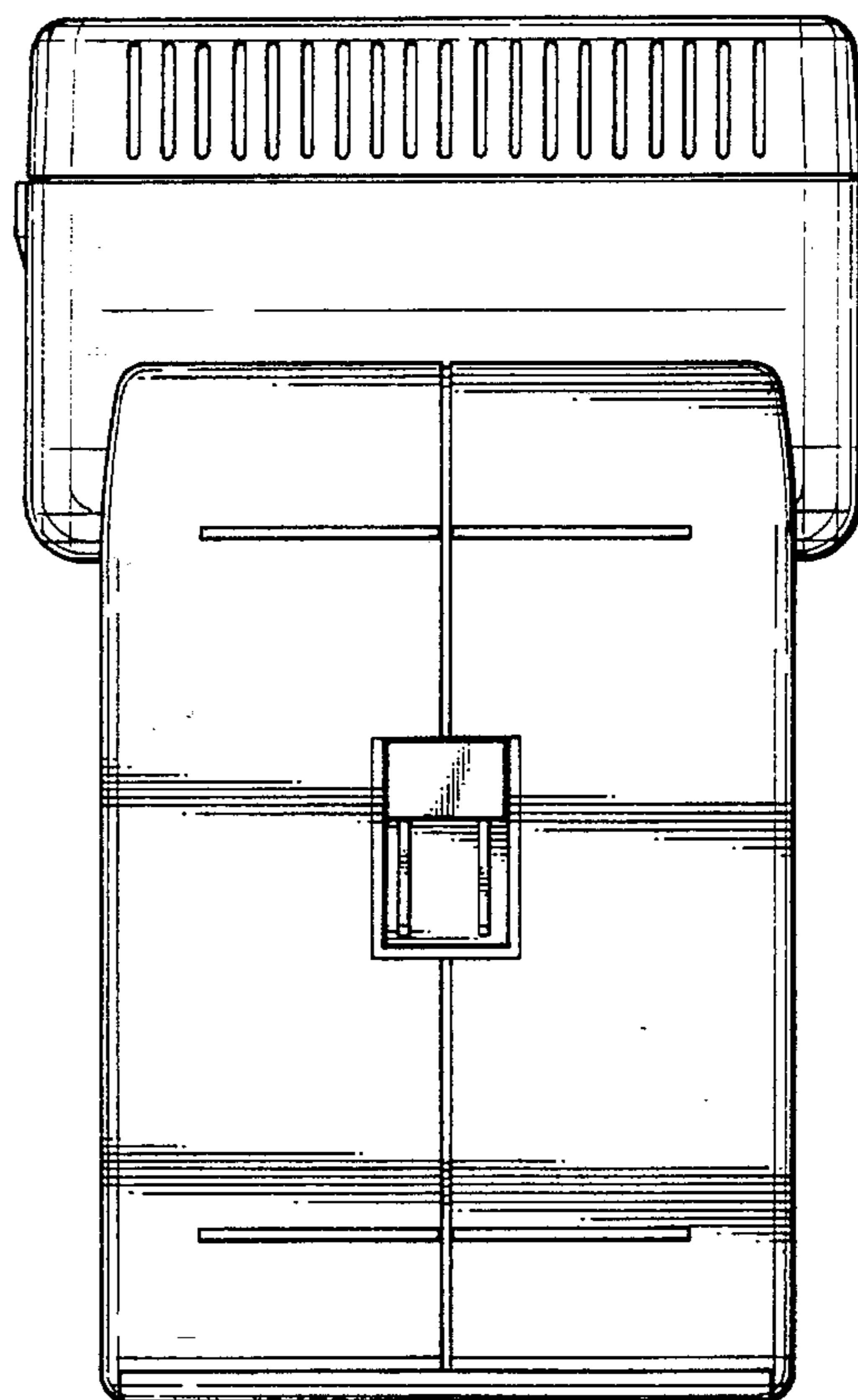


FIG. 7