



US00D375374S

United States Patent [19]
Yuen

[11] **Patent Number: Des. 375,374**
[45] **Date of Patent: **Nov. 5, 1996**

[54] **MULTI-FLUORESCENT LANTERN WITH EMERGENCY LIGHT**

FOREIGN PATENT DOCUMENTS

1155083 11/1957 France 362/187

[75] Inventor: **Se Kit Yuen, Kowloon, Hong Kong**

Primary Examiner—Susan J. Lucas
Attorney, Agent, or Firm—Darby & Darby, P.C.

[73] Assignee: **John Manufacturing Limited, Kowloon, Hong Kong**

[57] **CLAIM**

[**] Term: **14 Years**

The ornamental design for multi-fluorescent lantern with emergency light, as shown and described.

[21] Appl. No.: **27,536**

DESCRIPTION

[22] Filed: **Aug. 24, 1994**

FIG. 1 is a perspective view as viewed from the left, of a multi-fluorescent lantern with emergency light showing my new design;

[30] **Foreign Application Priority Data**

Apr. 7, 1994 [GB] United Kingdom 2038248

FIG. 2 is a perspective view thereof as viewed from the right;

[52] **U.S. Cl.** **D26/42**

FIG. 3 is a front elevational view thereof with the rear elevational view being a mirror image thereof;

[58] **Field of Search** D26/37-50; 362/157, 362/158, 183, 184, 187-202

FIG. 4 is a top plan view thereof;

FIG. 5 is a bottom plan view thereof;

[56] **References Cited**

U.S. PATENT DOCUMENTS

D. 278,366 4/1985 Ohashi D26/42

FIG. 6 is a right side elevational view thereof; and,

FIG. 7 is a left side elevational view thereof.

1 Claim, 6 Drawing Sheets

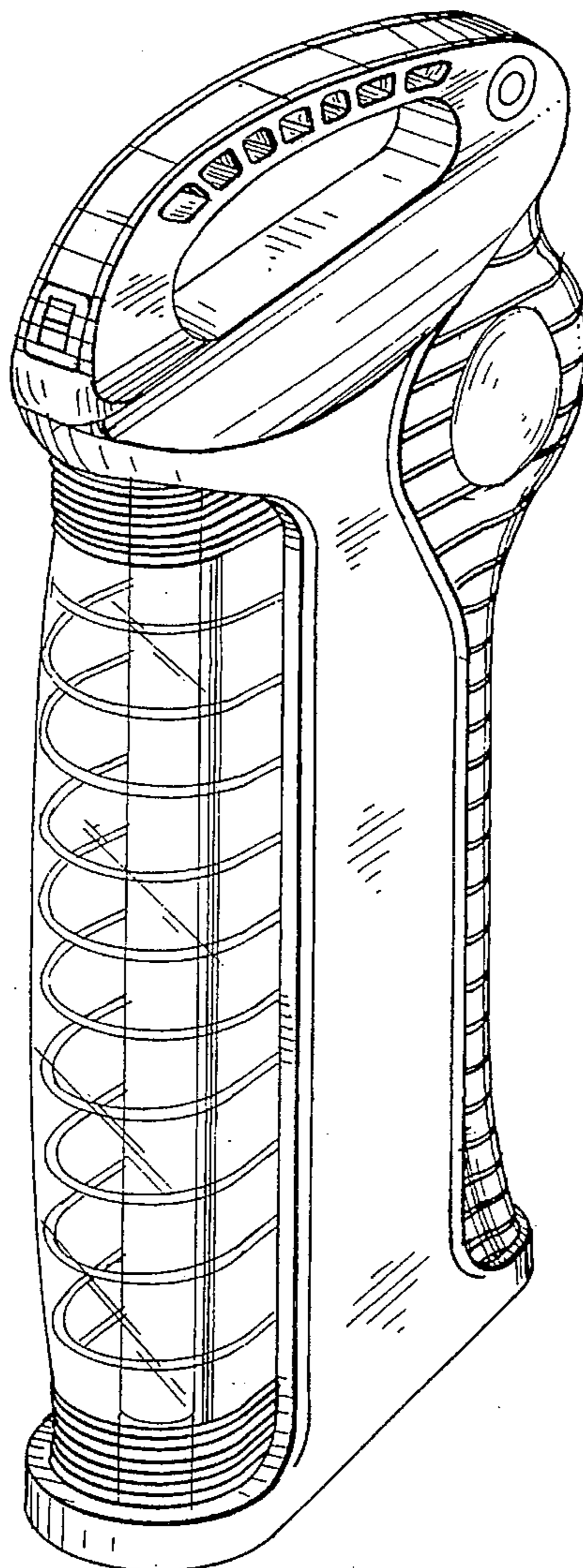


FIG. 1

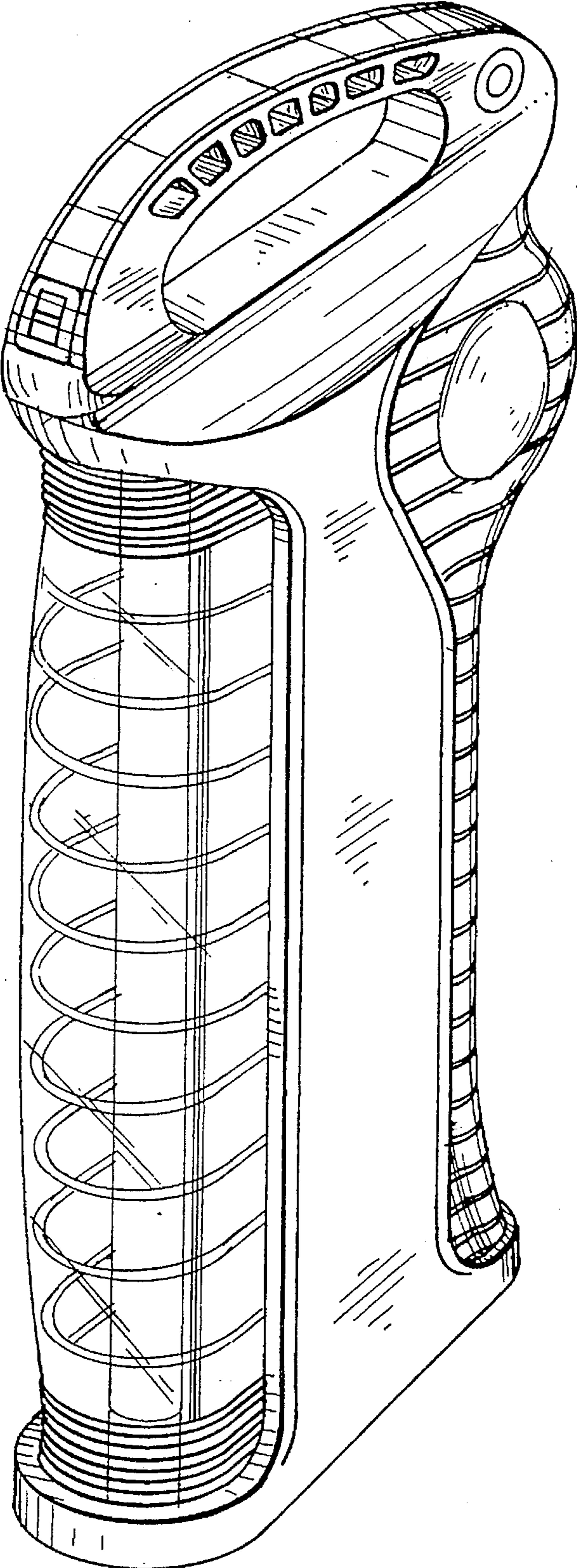


FIG. 2

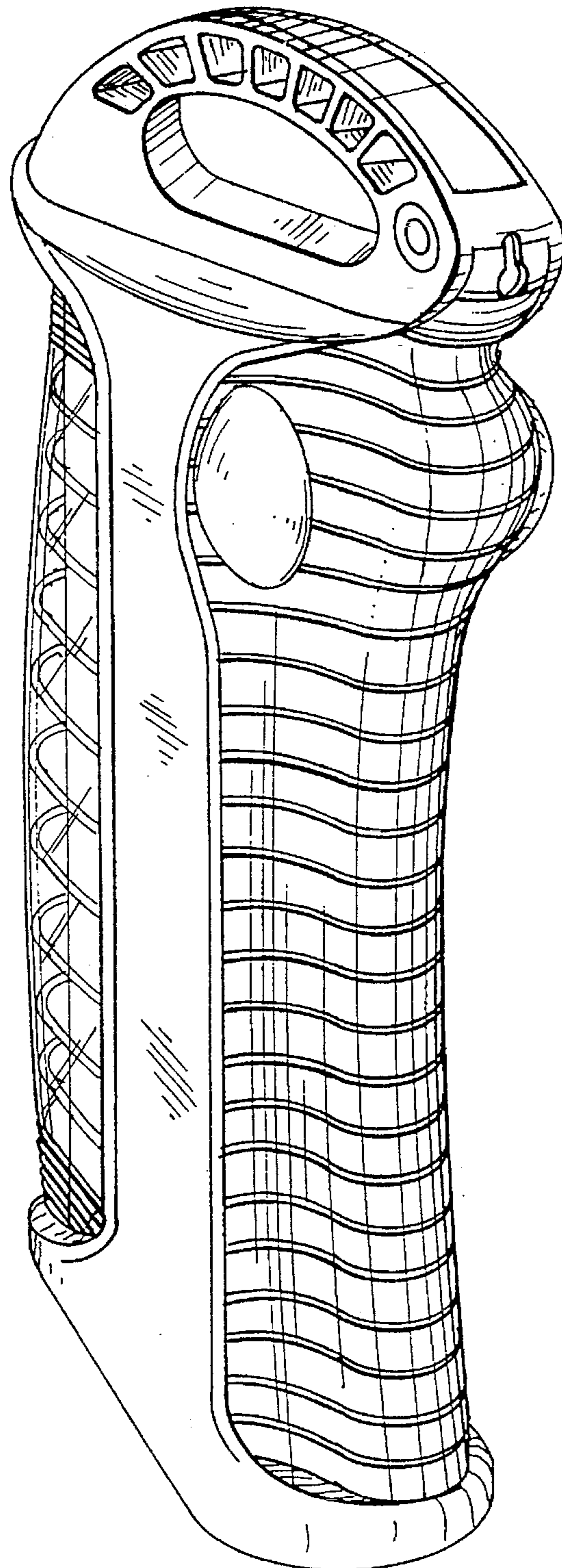


FIG. 3

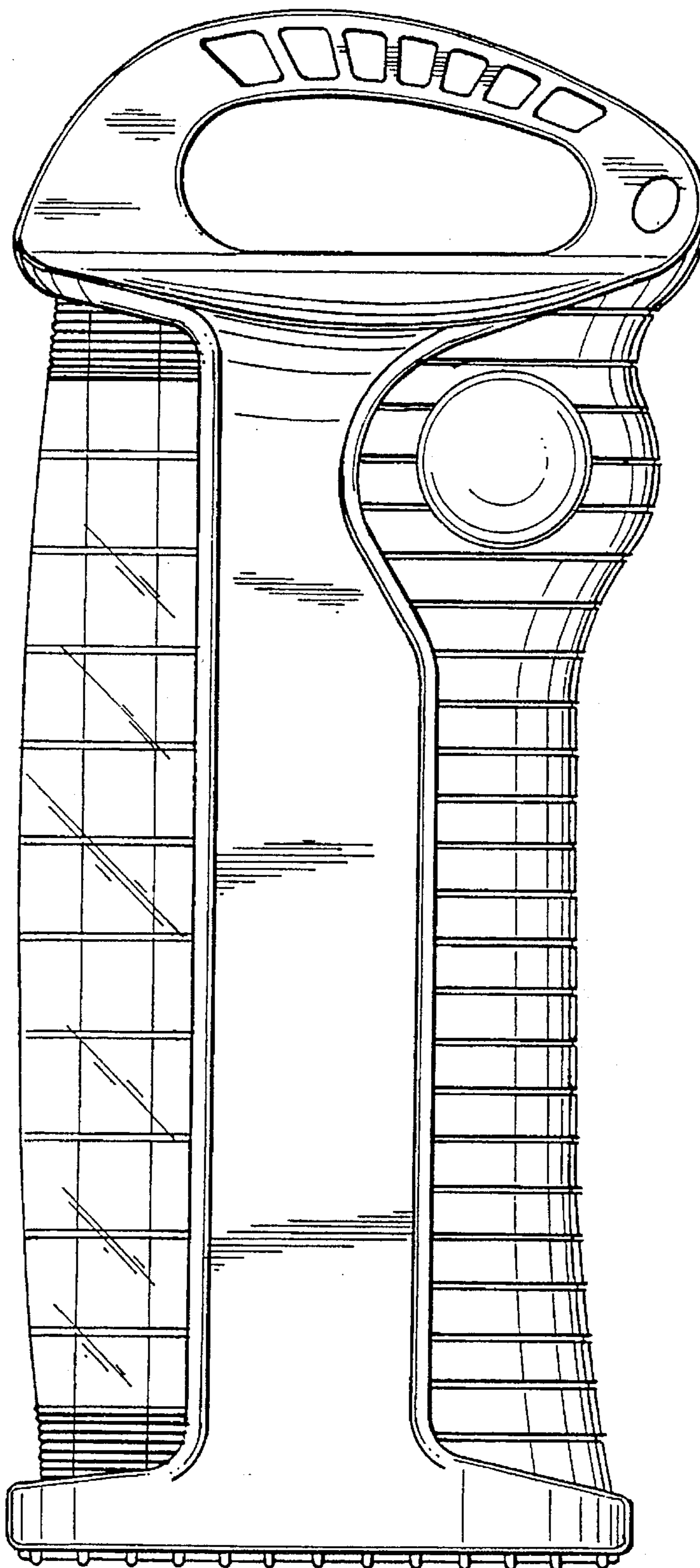


FIG. 4

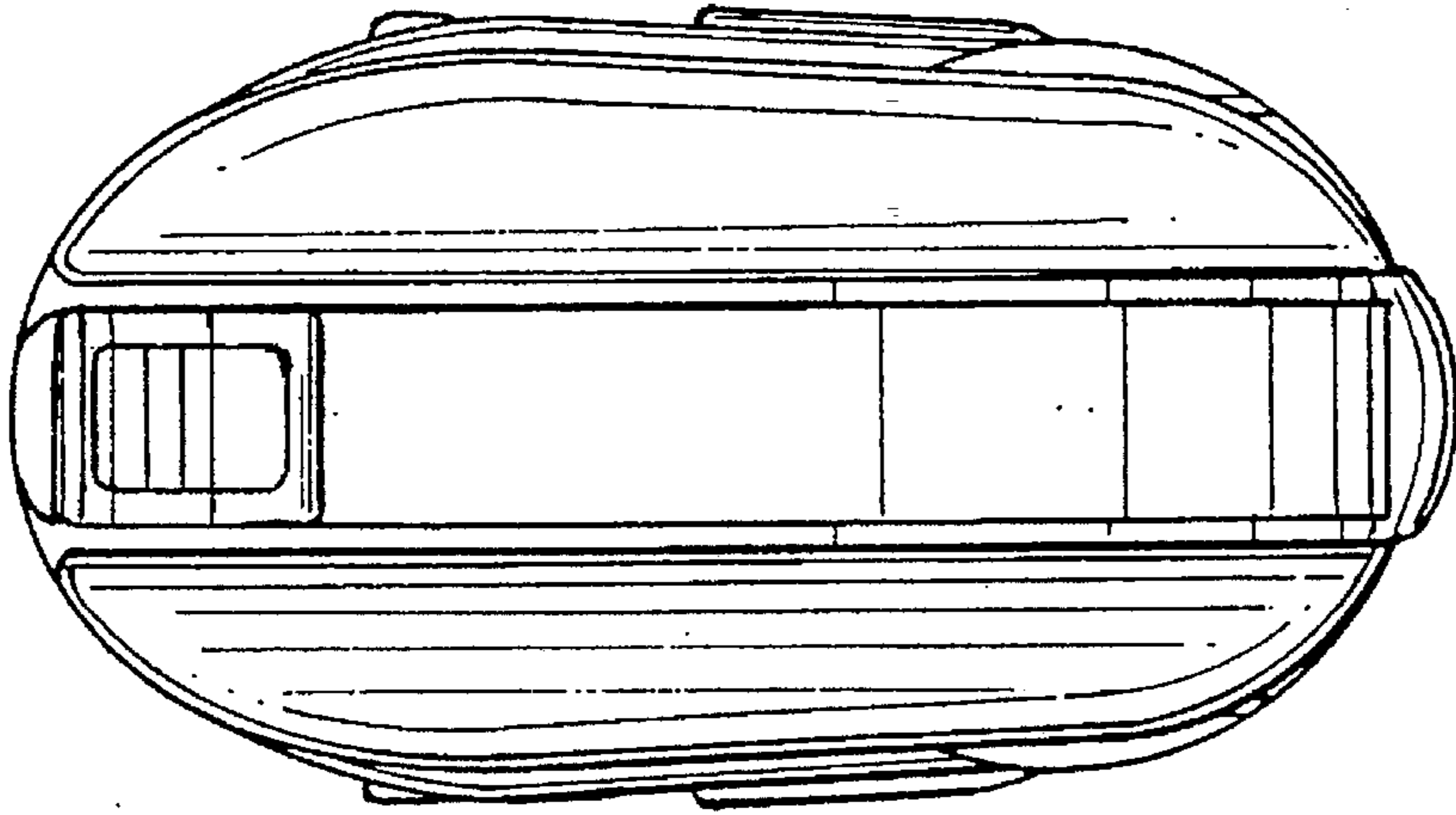


FIG. 5

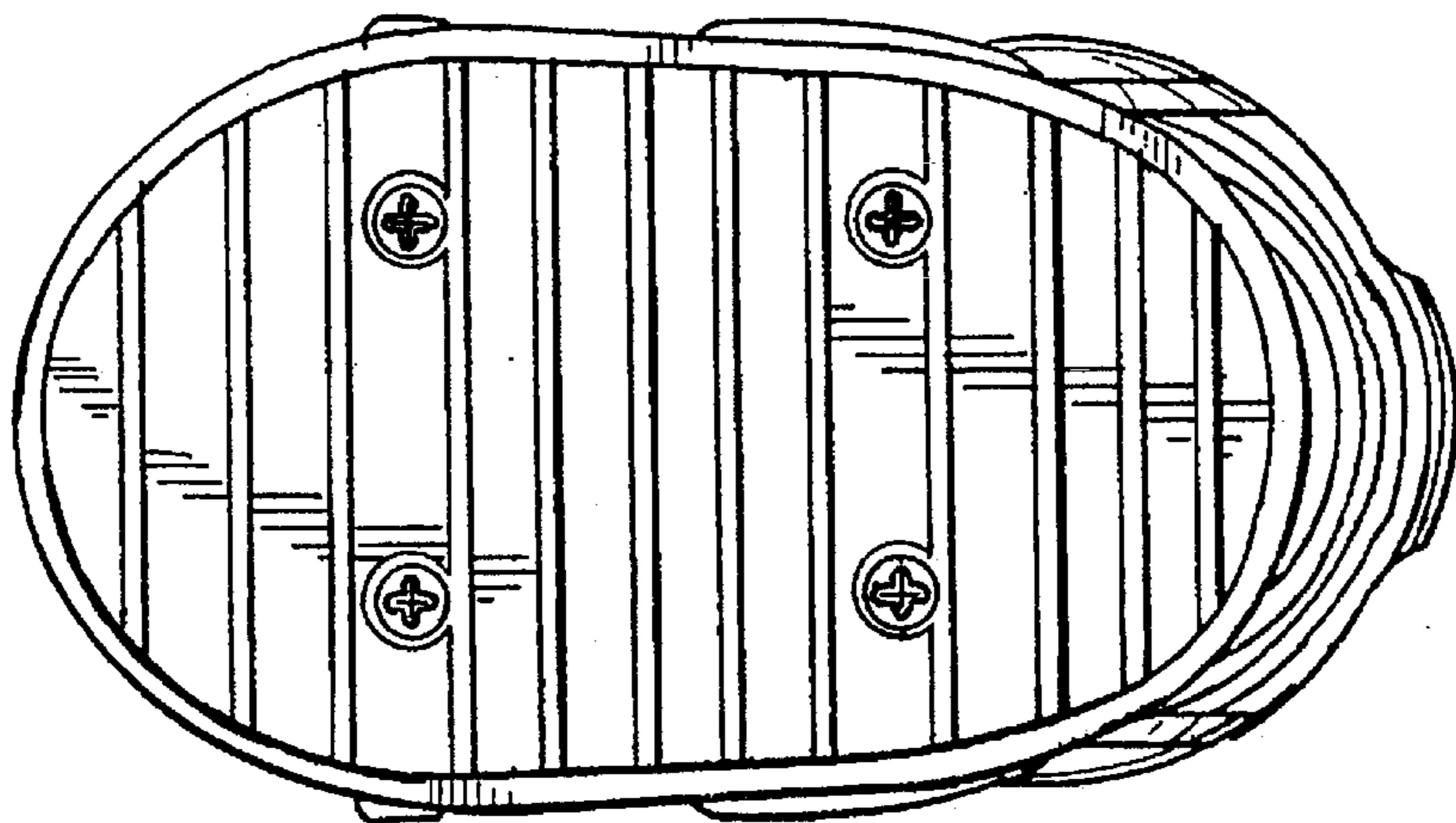


FIG. 6

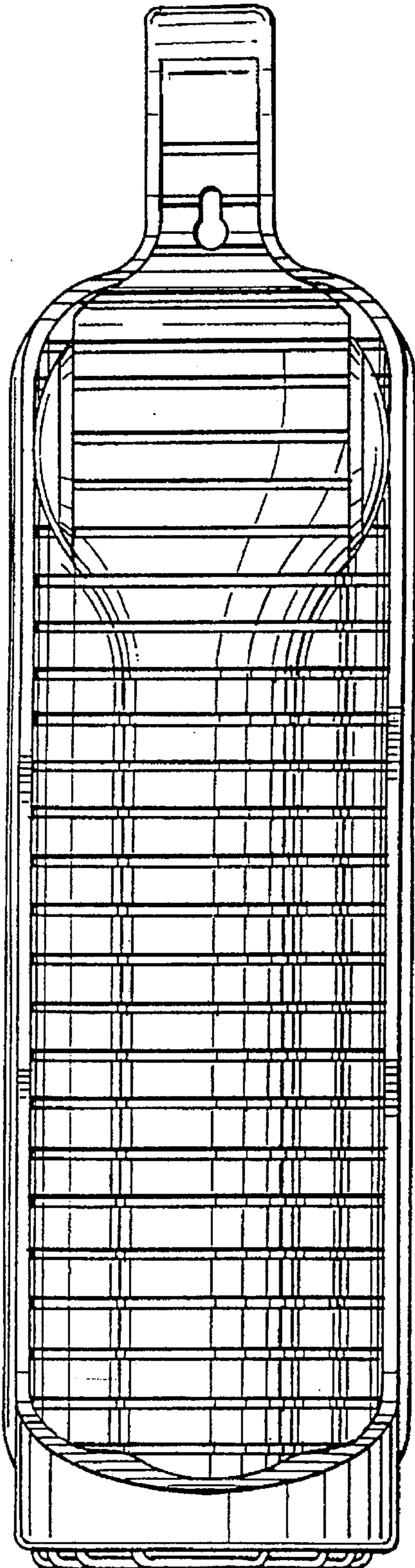


FIG. 7

