



US00D375371S

United States Patent [19]
May

[11] **Patent Number:** **Des. 375,371**

[45] **Date of Patent:** ****Nov. 5, 1996**

[54] **BIKE SAFETY LIGHT**

[76] **Inventor:** **Jerry May**, 205 Southampton, Lower Front Apt., Buffalo, N.Y. 14208

[**] **Term:** **14 Years**

[21] **Appl. No.:** **45,537**

[22] **Filed:** **Oct. 23, 1995**

[52] **U.S. Cl.** **D26/28**

[58] **Field of Search** D26/24, 26, 28, D26/37-50; 362/157, 158, 183-202, 205, 206, 72, 74

[56] **References Cited**

U.S. PATENT DOCUMENTS

D. 327,954	7/1992	Lawrence	D26/37
D. 354,822	1/1995	Bledsoe	D26/28
D. 360,957	8/1995	Lerner	D26/28
5,140,216	8/1992	Darr	D26/2

Primary Examiner—Marcus A. Jackson
Attorney, Agent, or Firm—Harold H. Dutton, Jr.; W. Charles L. Jamison; Diane F. Liebman

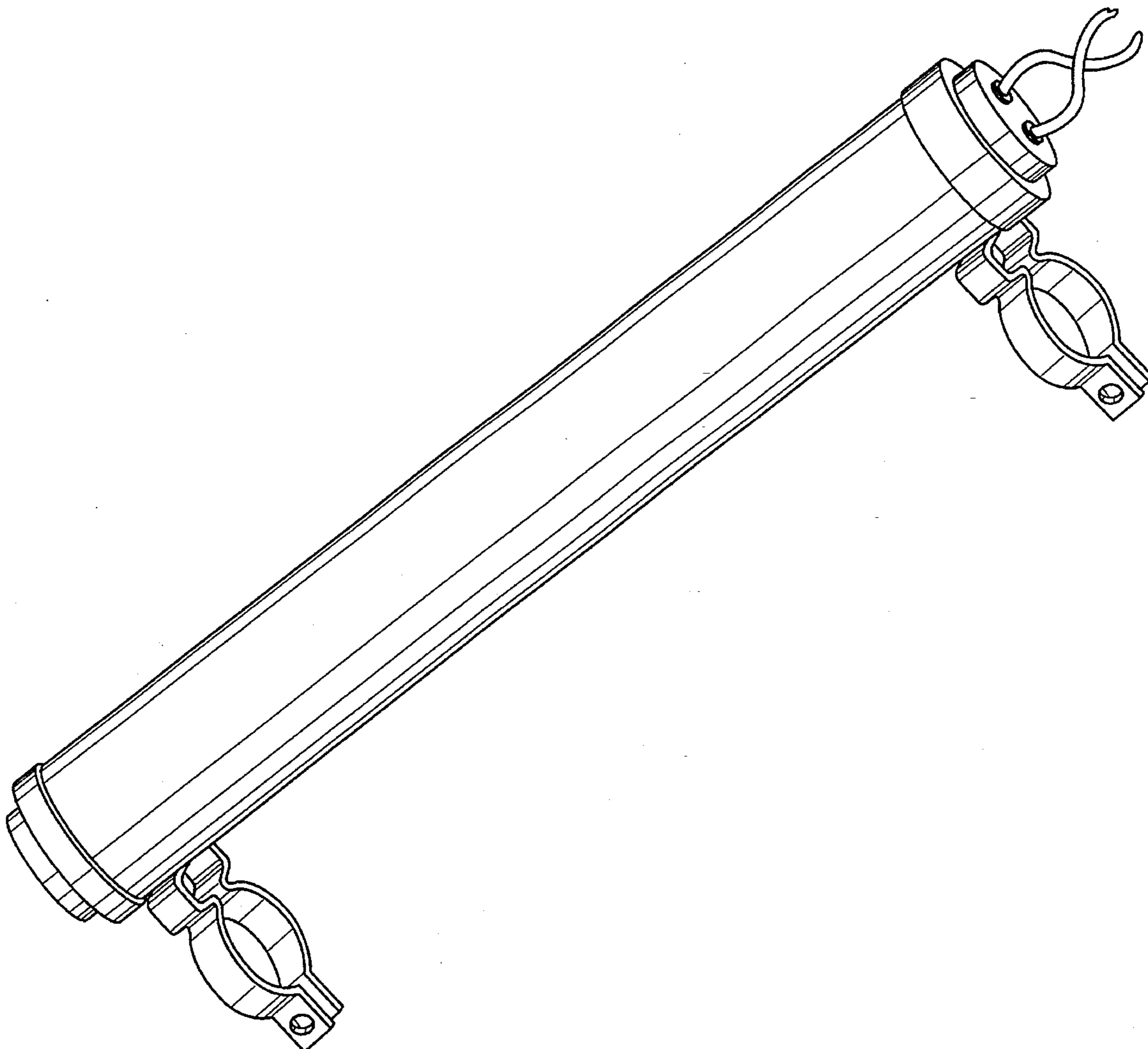
[57] **CLAIM**

The ornamental design for a bike safety light, as shown, and described.

DESCRIPTION

FIG. 1 is a perspective view of a bike safety light showing my new design, with the wires broken away to indicate indeterminate length;
FIG. 2 is a right side view thereof;
The left side is a mirror image of the right side;
FIG. 3 is a front view thereof;
FIG. 4 is a rear view thereof;
FIG. 5 is a bottom view thereof; and,
FIG. 6 is a top view thereof.

1 Claim, 3 Drawing Sheets



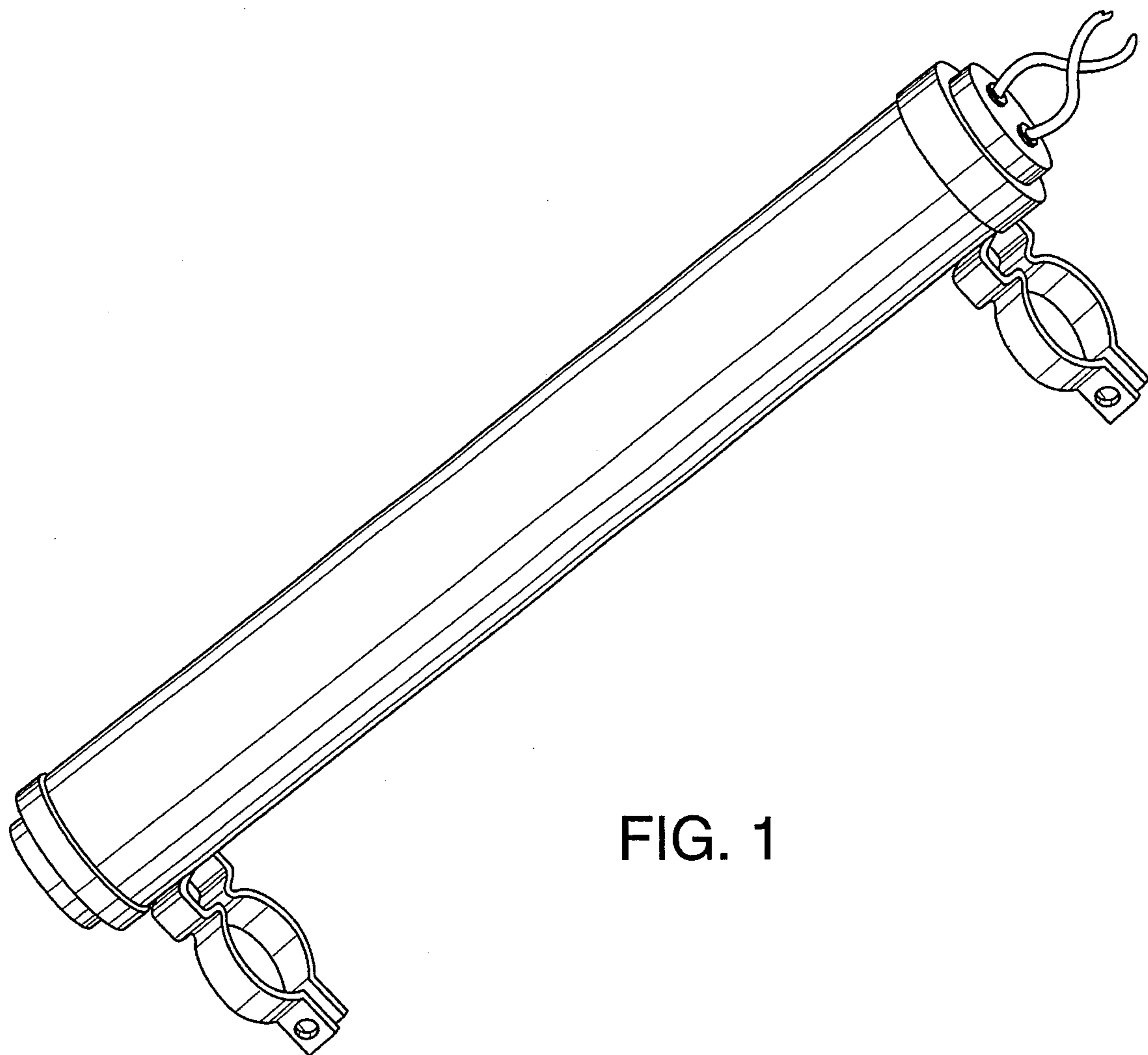


FIG. 1

FIG. 2

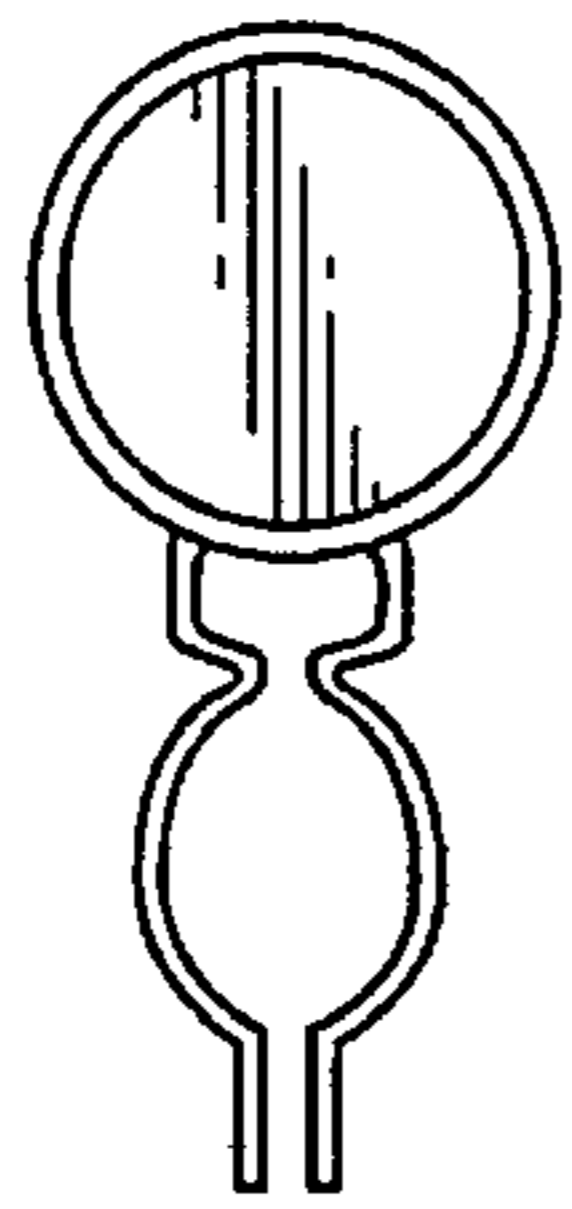
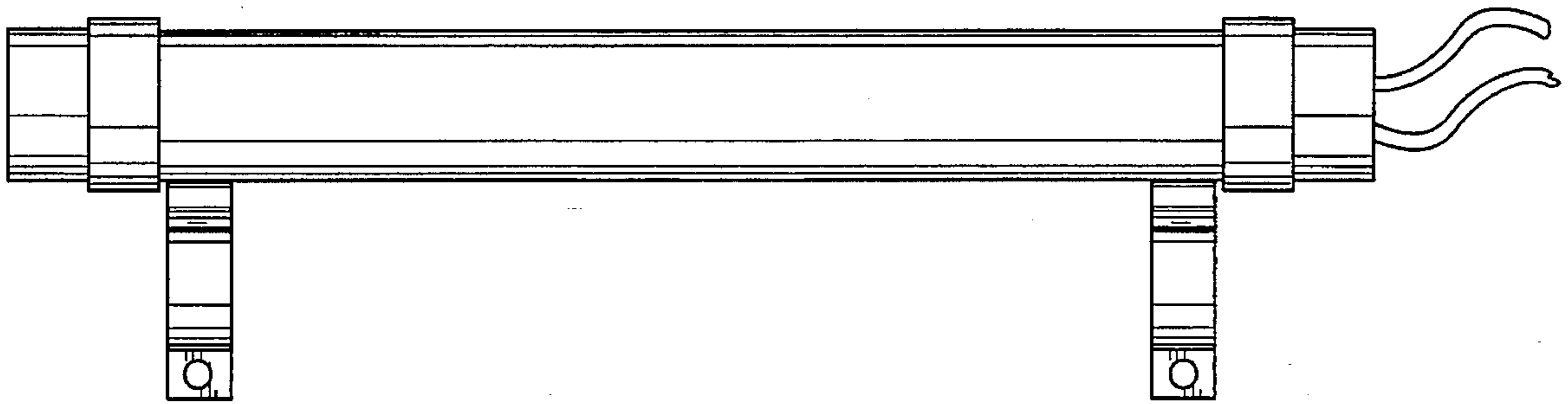


FIG. 3

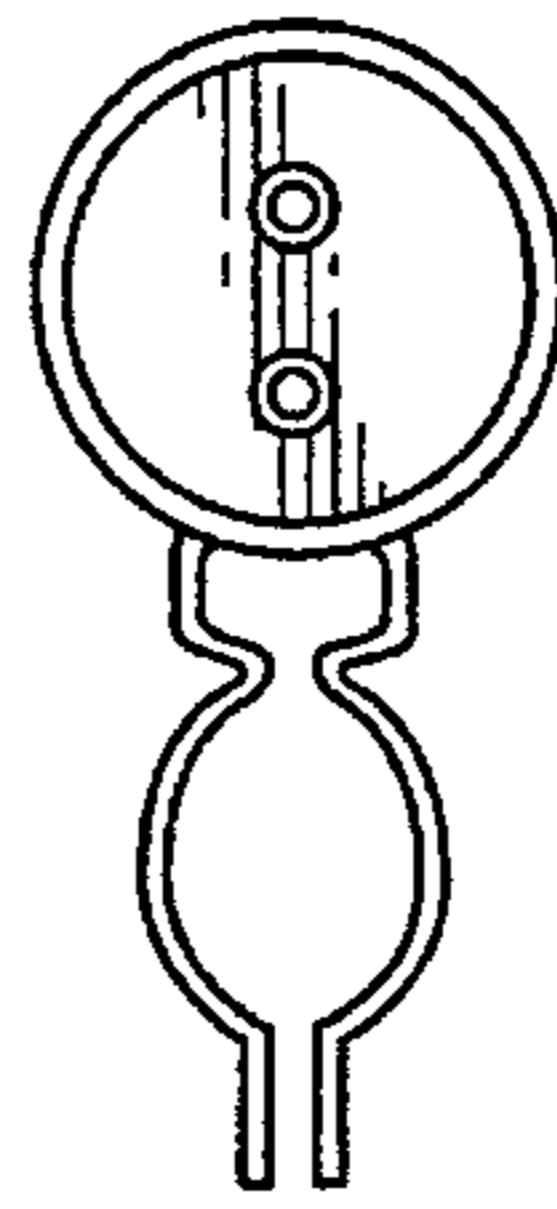


FIG. 4

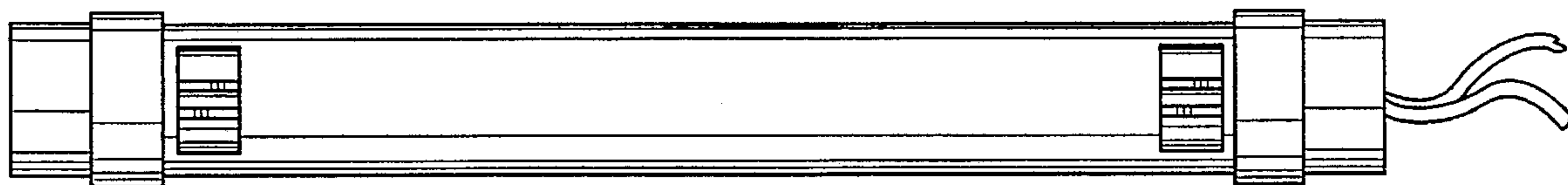


FIG. 5

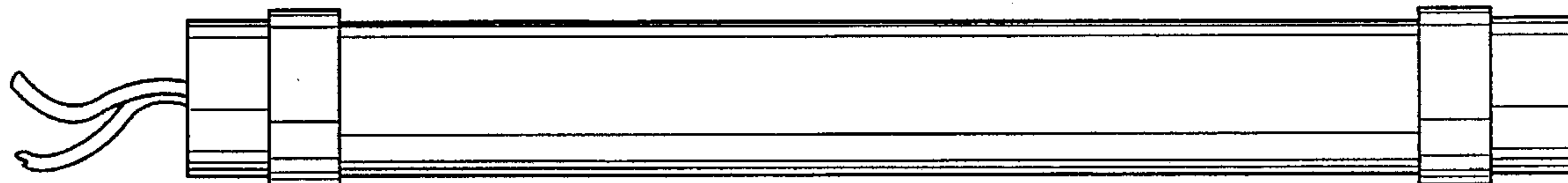


FIG. 6