



US00D375370S

United States Patent [19]
DiGiorgio

[11] **Patent Number:** **Des. 375,370**

[45] **Date of Patent:** ****Nov. 5, 1996**

[54] **CASEMENT FRAME**

D. 334,989 4/1993 Cole D25/124
4,768,316 9/1988 Haas 49/504

[75] Inventor: **Tony DiGiorgio**, Woodbridge, Canada

[73] Assignee: **Dominion Plastics Inc.**, Woodbridge, Canada

Primary Examiner—Doris Clark

[**] Term: **14 Years**

[57] **CLAIM**

The ornamental design for a casement frame, as shown.

[21] Appl. No.: **45,417**

[22] Filed: **Oct. 19, 1995**

DESCRIPTION

[52] **U.S. Cl.** **D25/124**

[58] **Field of Search** D25/48, 52, 122-124;
49/504, 505, DIG. 2; 52/204.5, 730.3, 730.4,
730.5

FIG. 1 is a perspective view looking down from one side of the casement frame; and,

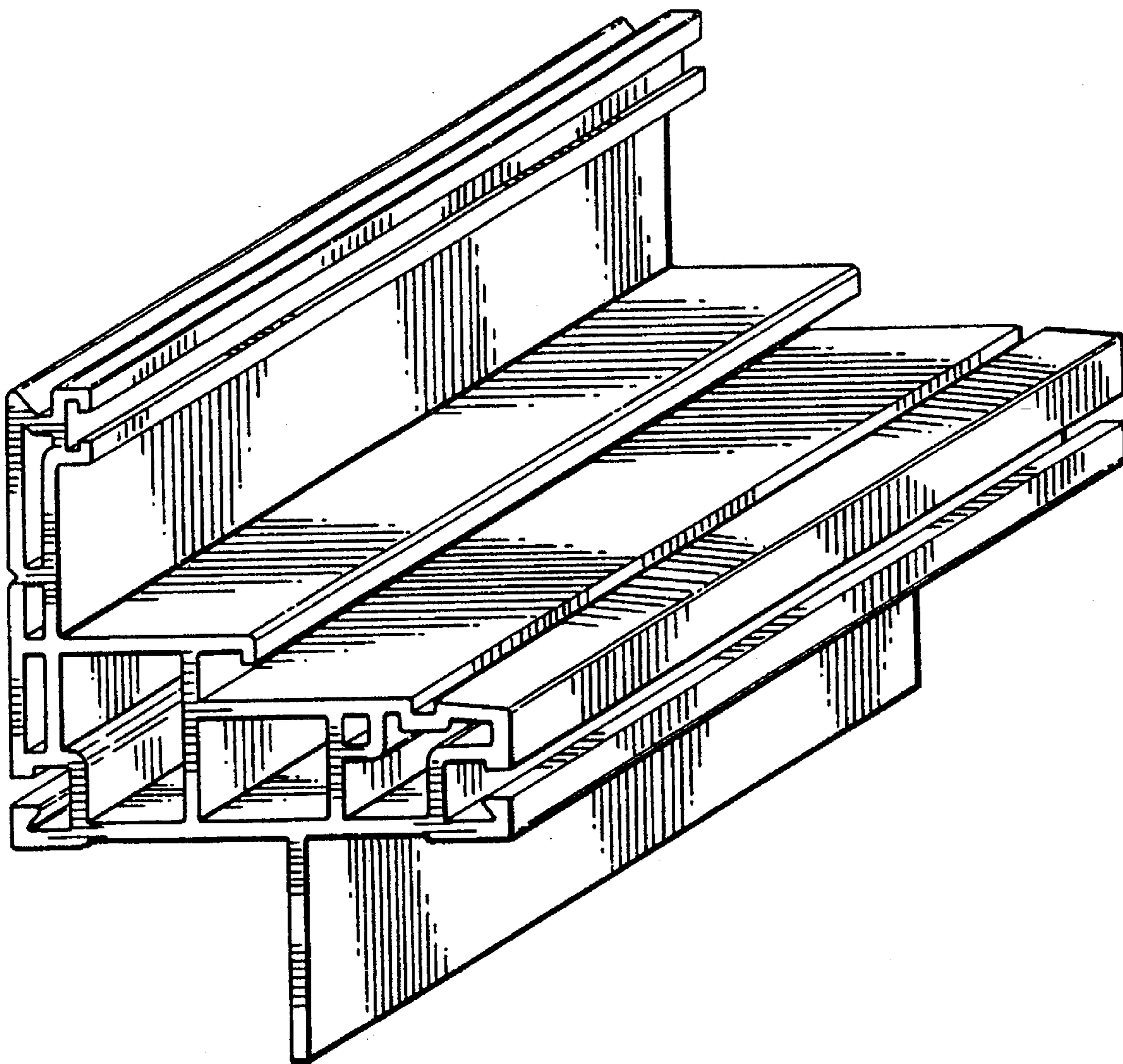
FIG. 2 is a perspective view looking down from the other side of the casement frame.

[56] **References Cited**

U.S. PATENT DOCUMENTS

D. 334,818 4/1993 Cole D25/124

1 Claim, 1 Drawing Sheet



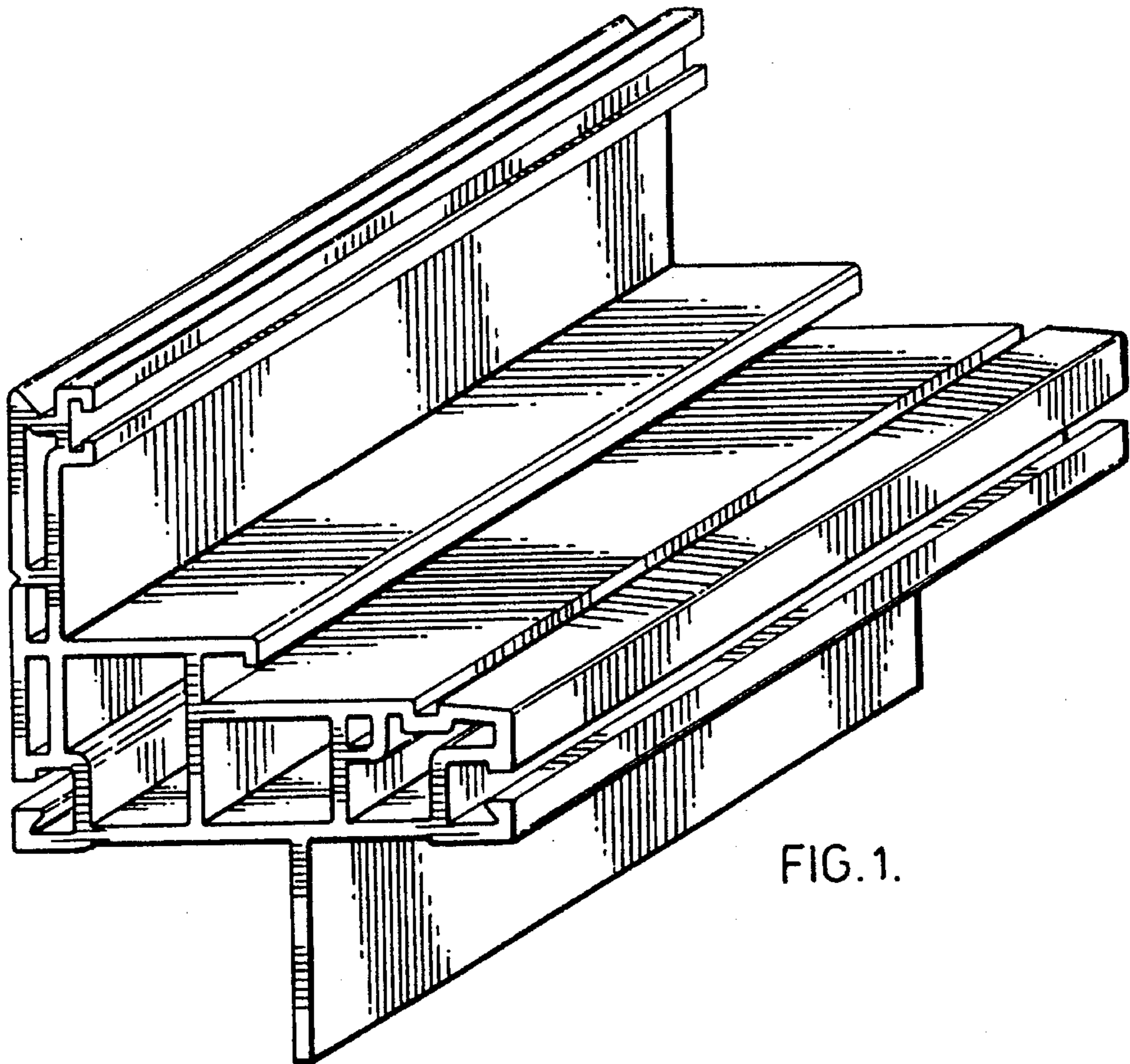


FIG. 1.

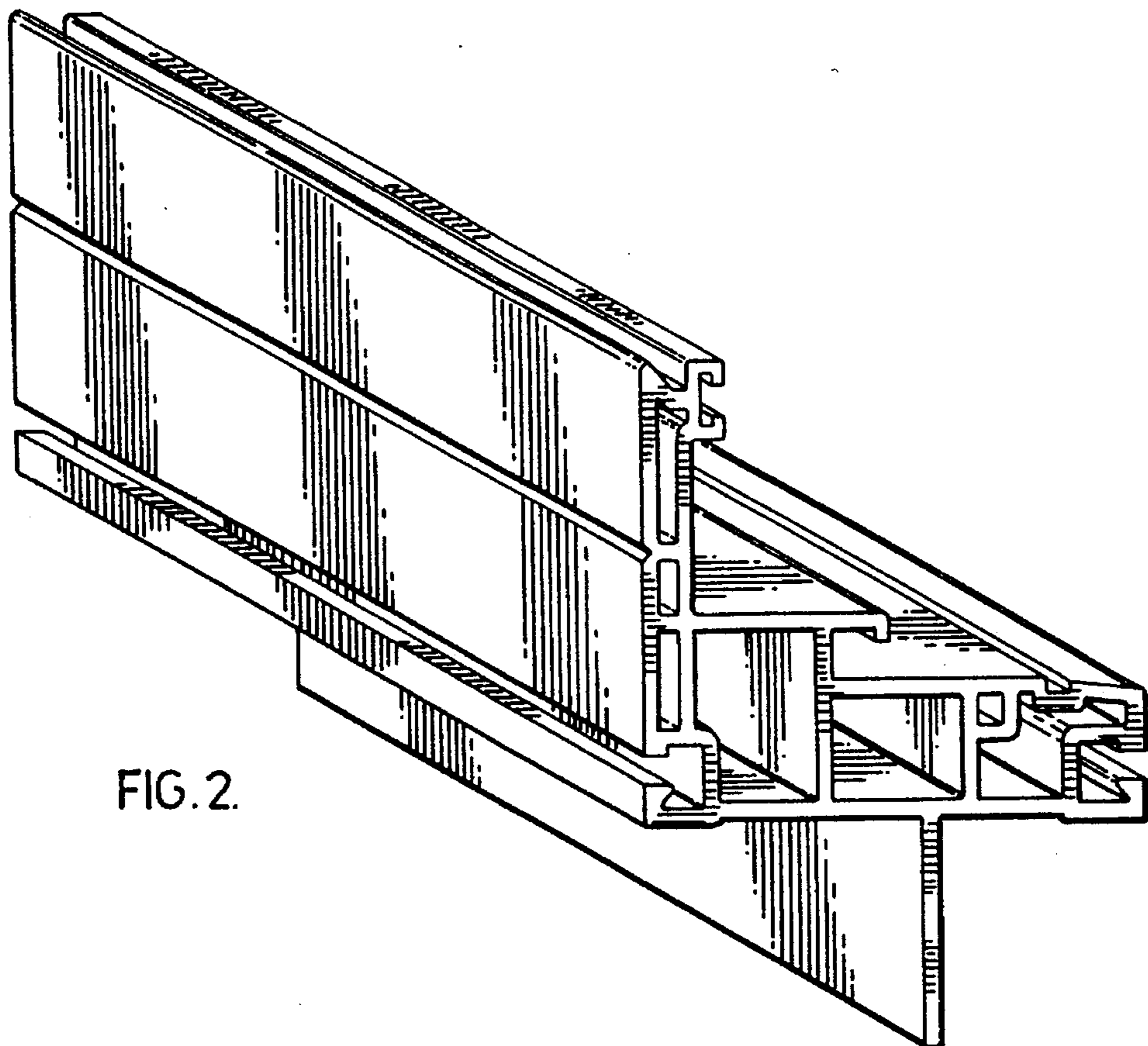


FIG. 2.