



US00D375368S

United States Patent [19]
DiGiorgio

[11] **Patent Number: Des. 375,368**

[45] **Date of Patent: **Nov. 5, 1996**

[54] **WINDOW JAMB**

D. 335,714 5/1993 Slocomb D25/124
D. 344,597 2/1994 Bancroft D25/124

[75] Inventor: **Tony DiGiorgio**, Woodbridge, Canada

Primary Examiner—Doris Clark

[73] Assignee: **Dominion Plastics Inc.**, Woodbridge, Canada

[57] **CLAIM**

[**] Term: **14 Years**

The ornamental design for a window jamb, as shown and described.

[21] Appl. No.: **45,404**

DESCRIPTION

[22] Filed: **Oct. 18, 1995**

[52] U.S. Cl. **D25/124**

FIG. 1 is a perspective view from above the window jamb; and,

[58] Field of Search D25/48, 52, 122-124;
49/504, 505, DIG. 2; 52/204.5, 230.3, 230.4,
230.5

FIG. 2 is a perspective view from one side of the window jamb;

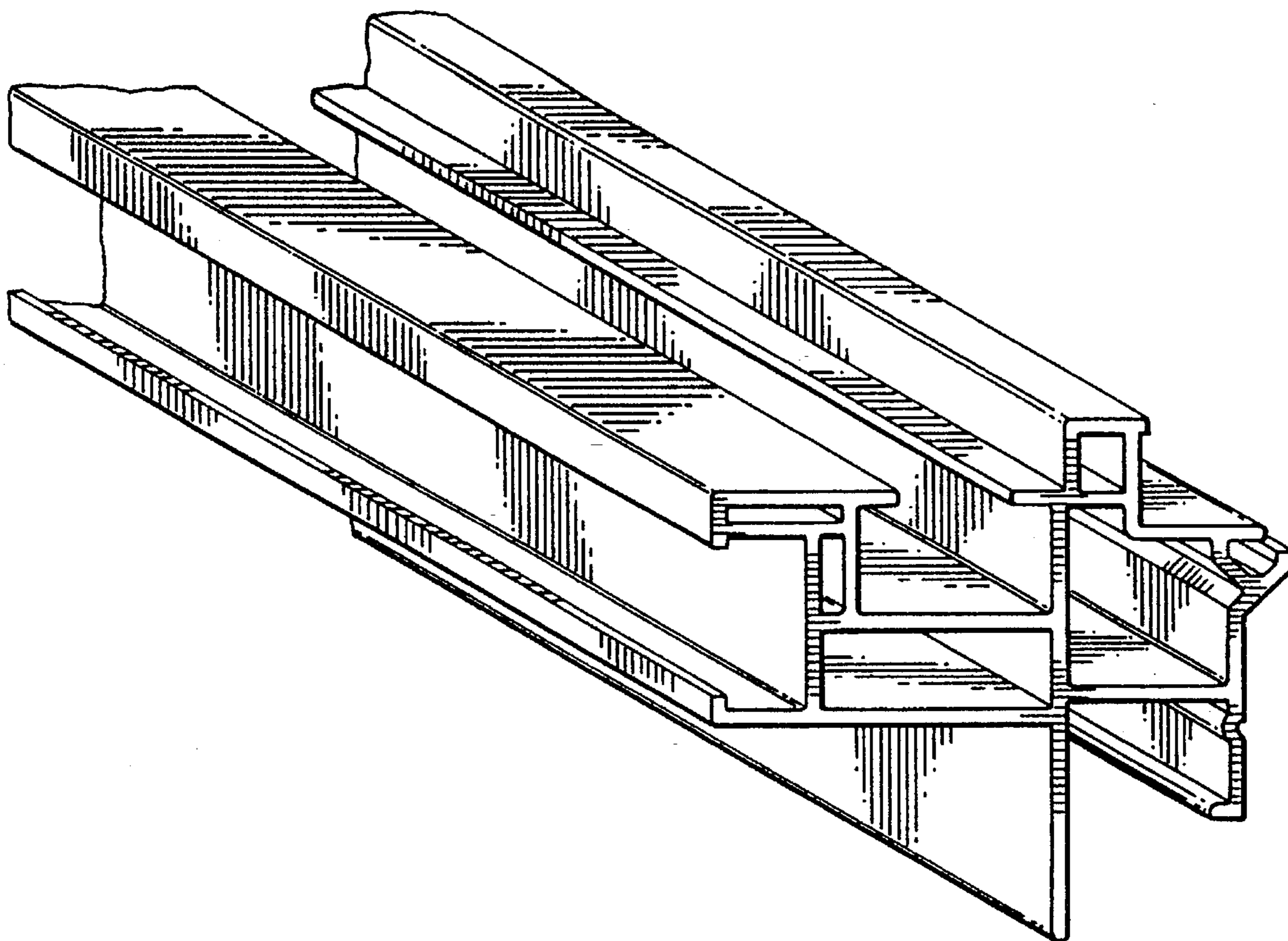
The window jamb is broken away on the end to indicate indeterminate length.

[56] **References Cited**

U.S. PATENT DOCUMENTS

D. 313,860 1/1991 Slocomb, Jr. D25/124

1 Claim, 1 Drawing Sheet



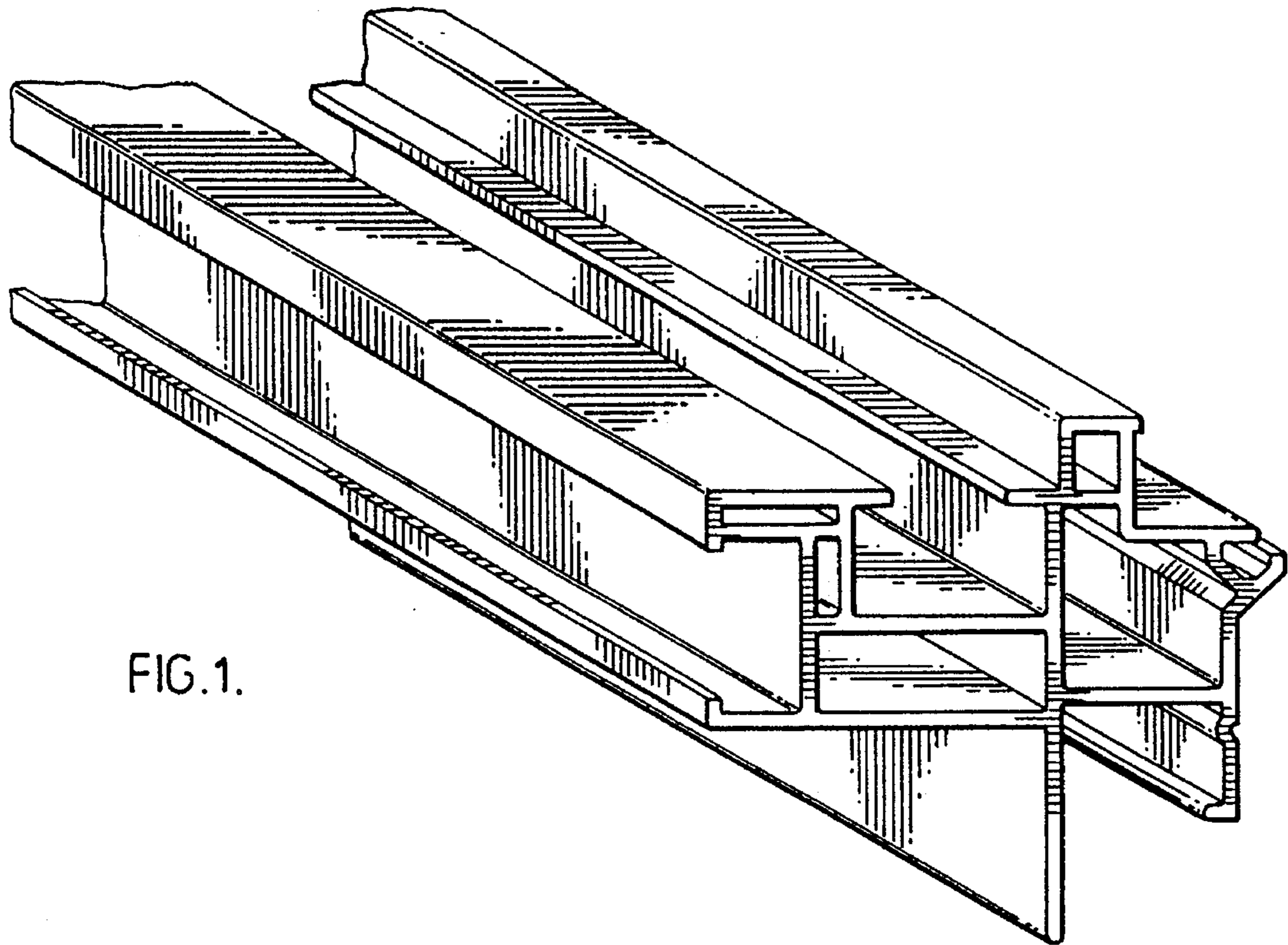


FIG. 1.

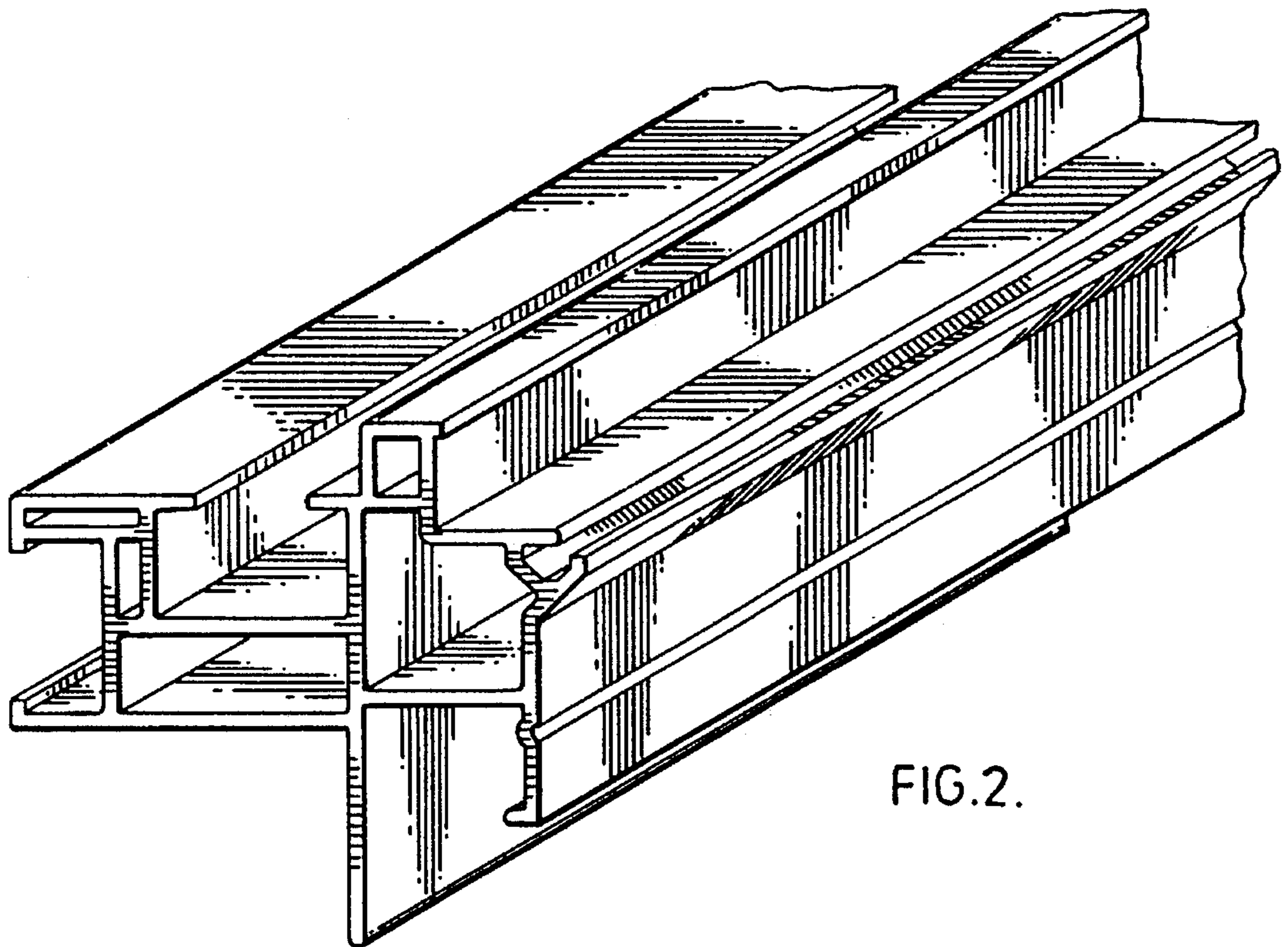


FIG. 2.