



US00D375365S

United States Patent [19]

Kinkade et al.

[11] Patent Number: **Des. 375,365**

[45] Date of Patent: ****Nov. 5, 1996**

[54] **GARAGE DOOR SCREEN**

[76] Inventors: **Cliff Kinkade; James Thurston**, both of Rt. 1 Box 126, Noble, Ill. 62868

[**] Term: **14 Years**

[21] Appl. No.: **43,596**

[22] Filed: **Sep. 7, 1995**

[52] U.S. Cl. **D25/53**

[58] Field of Search **D25/53; 160/201, 160/268.1**

[56] References Cited

U.S. PATENT DOCUMENTS

D. 338,966	8/1993	Pinard	D25/53
4,653,566	3/1987	Miale	160/201
4,846,241	7/1989	Chomka et al.	160/268.1

Primary Examiner—Doris Clark
Attorney, Agent, or Firm—Harold H. Dutton, Jr.; Diane S. Liebman; W. Charles L. Jamison

[57] CLAIM

The ornamental design for a garage door screen, as shown.

DESCRIPTION

FIG. 1 is a perspective view of a garage door screen showing our new design;

FIG. 2 is a rear view thereof;

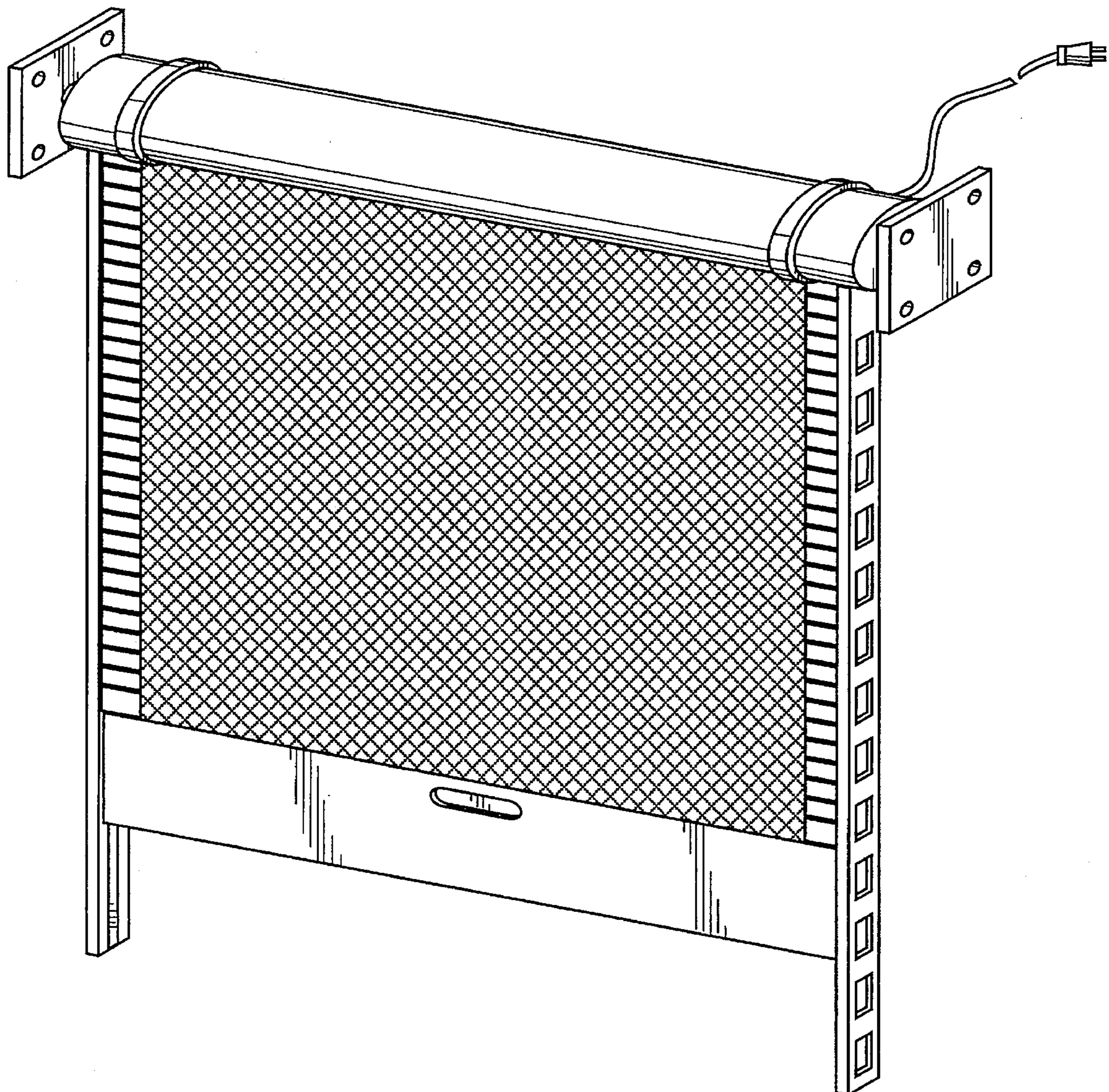
FIG. 3 is a top view thereof;

FIG. 4 is a bottom view thereof;

FIG. 5 is a right side view thereof; and,

FIG. 6 is a left side view thereof.

1 Claim, 4 Drawing Sheets



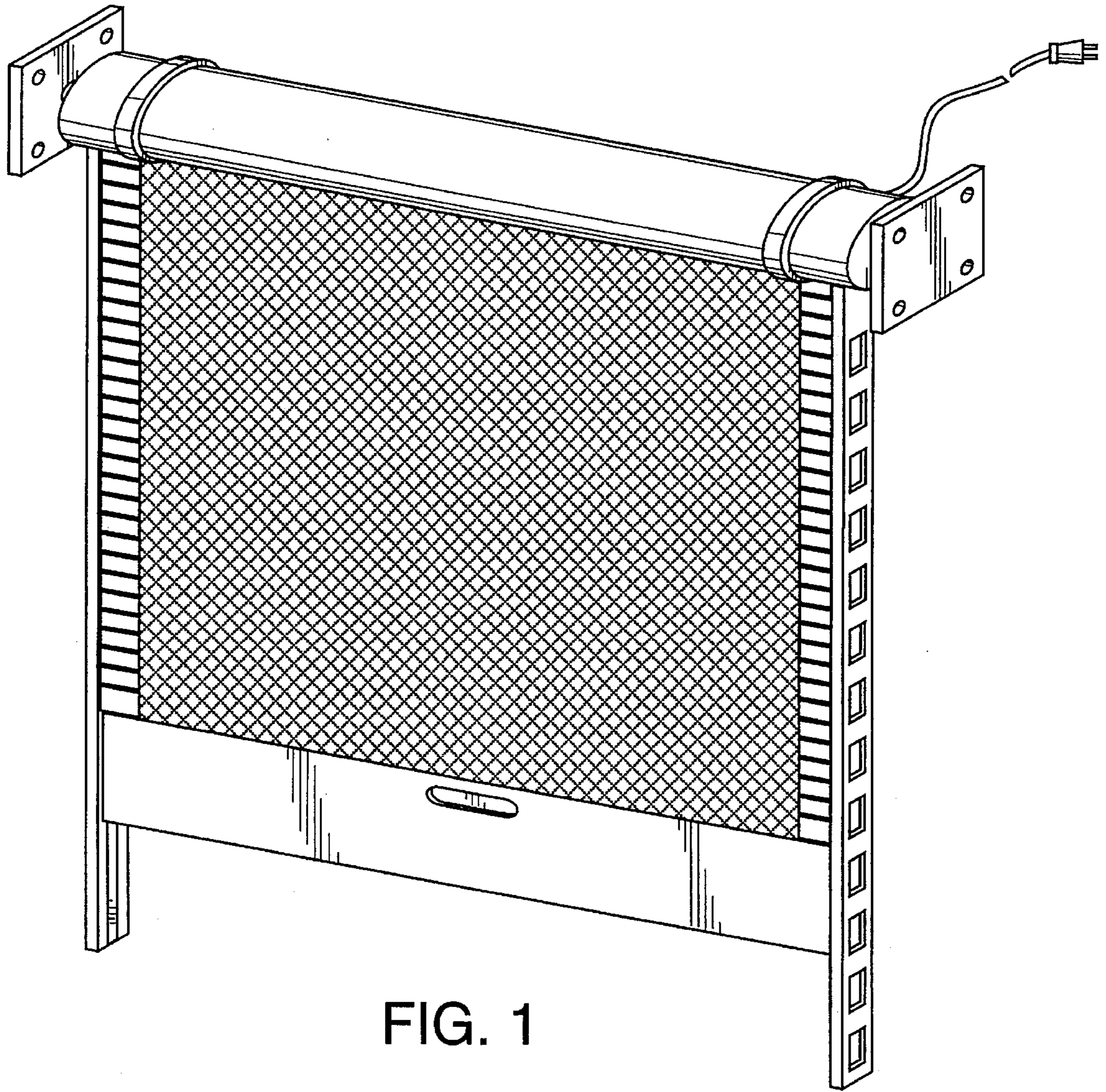


FIG. 1

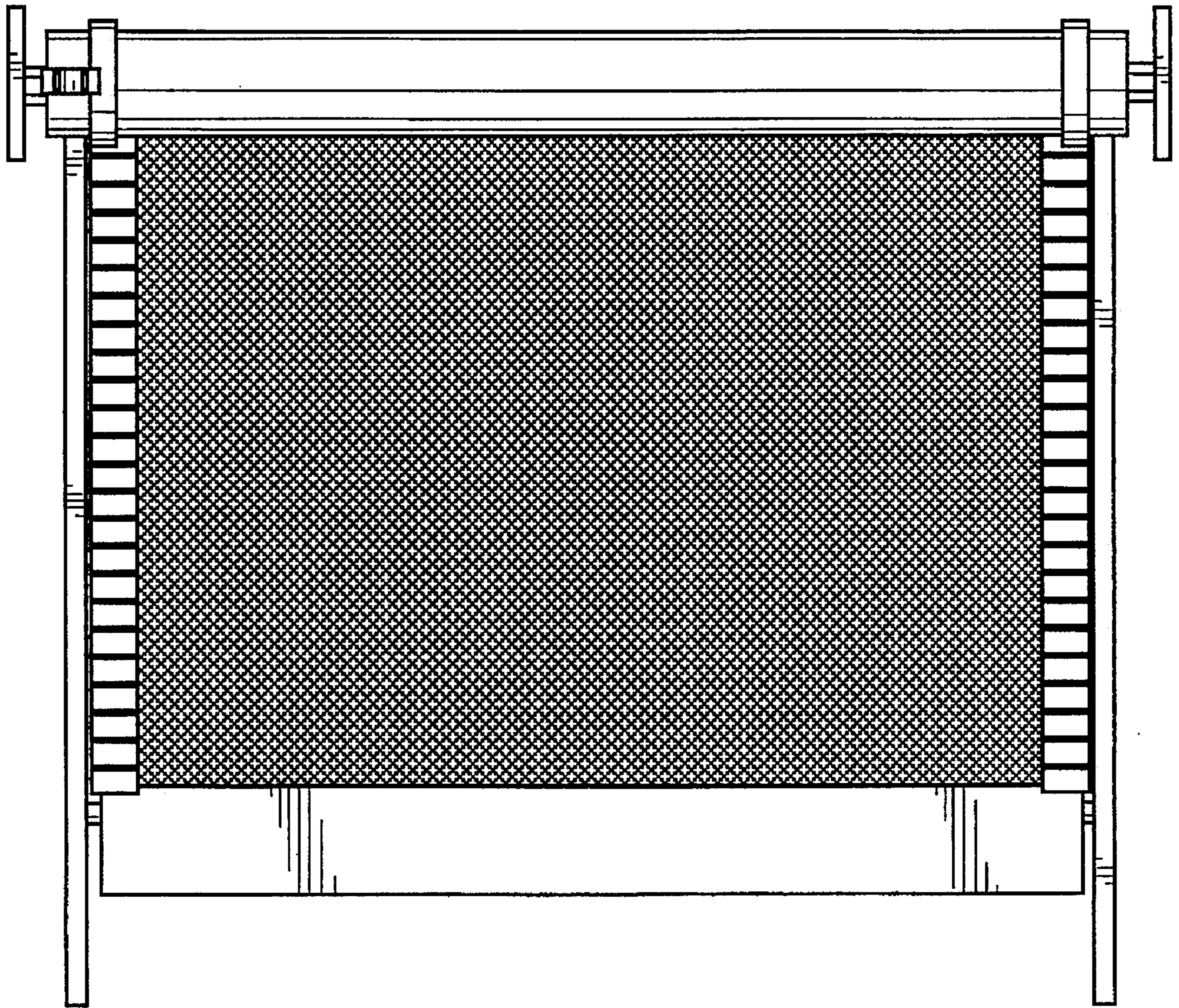


FIG. 2

FIG. 3

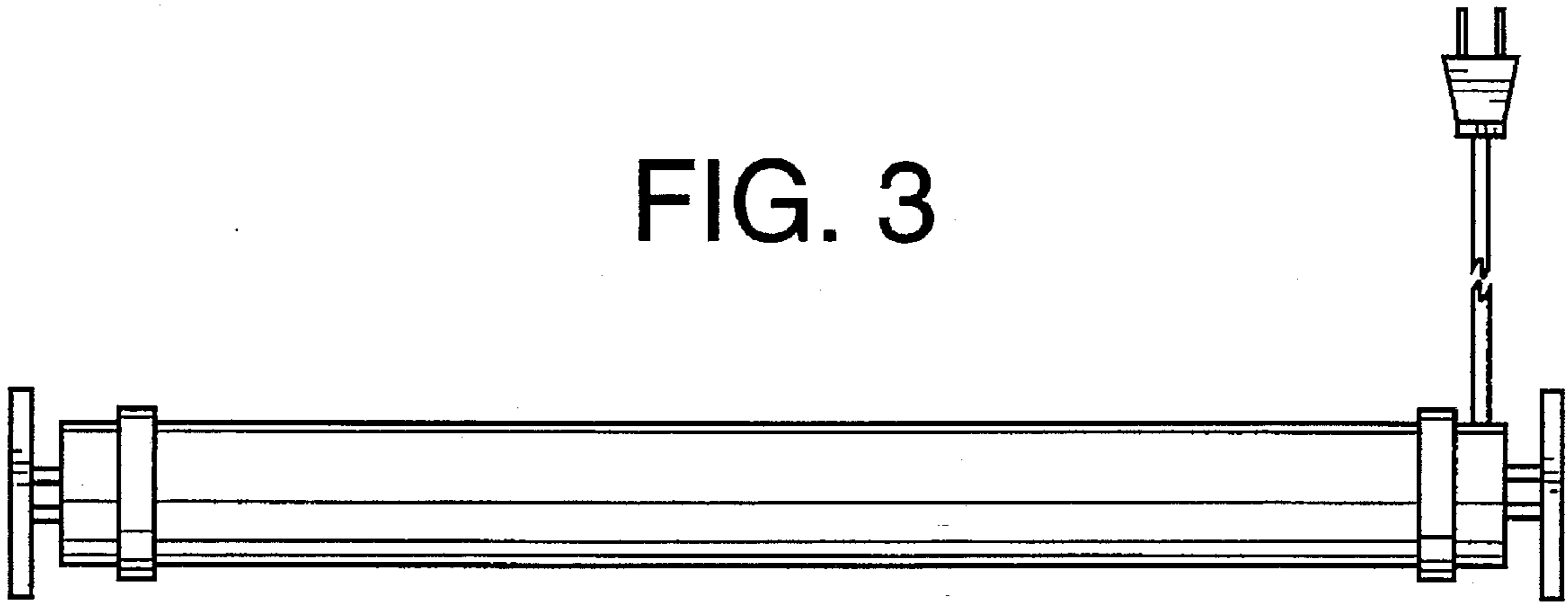
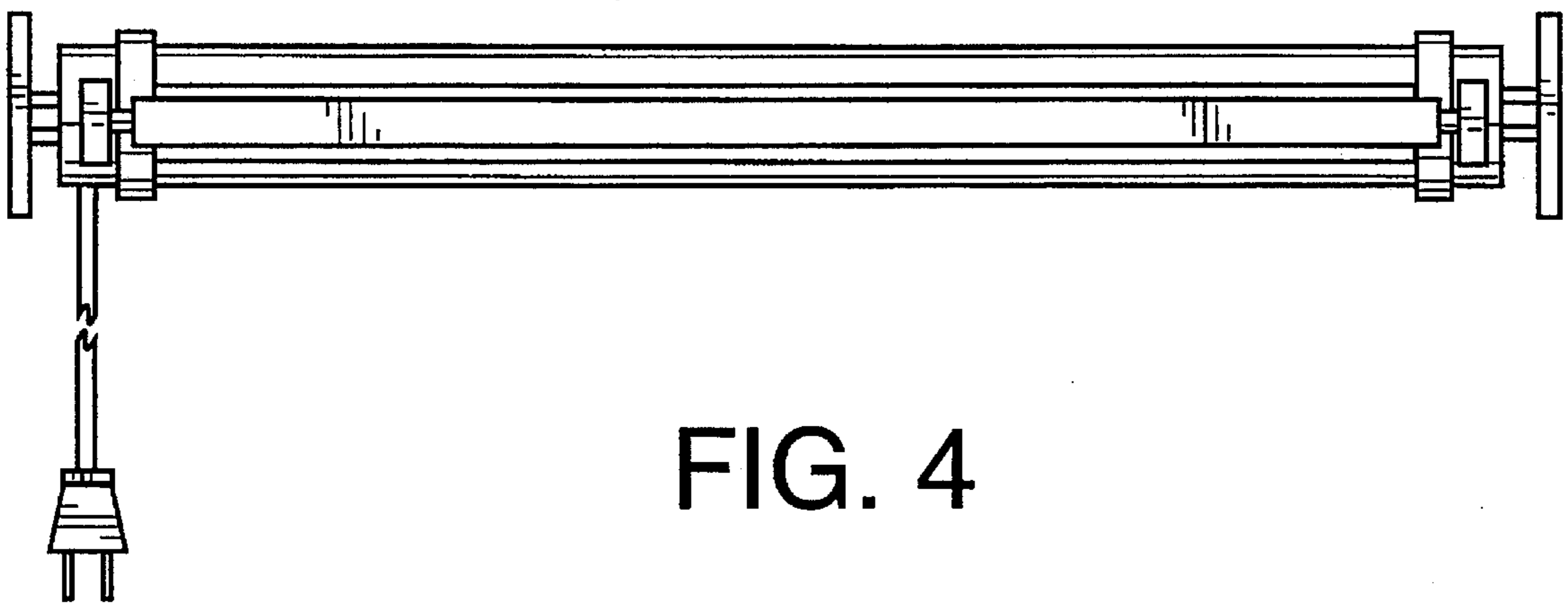


FIG. 4



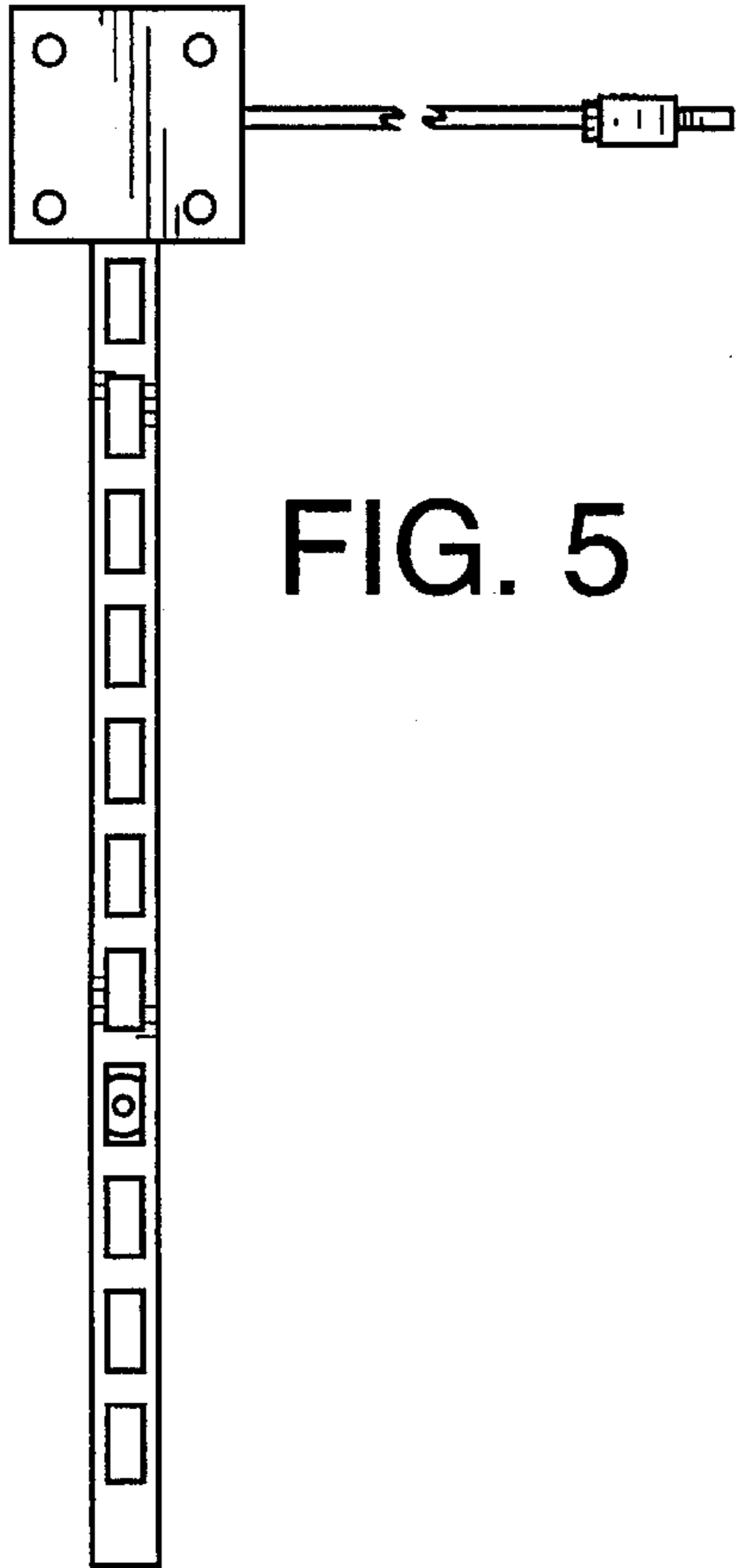


FIG. 5

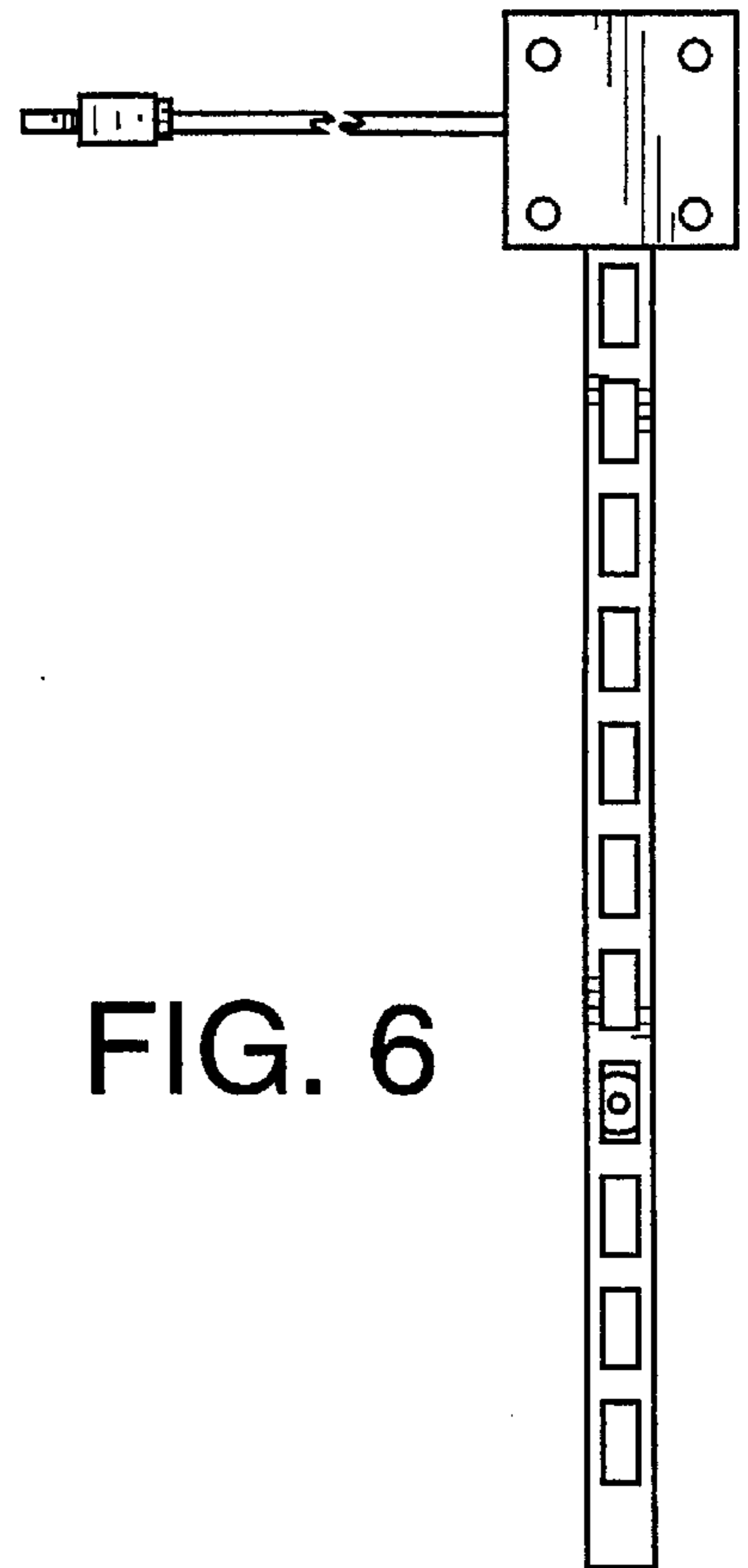


FIG. 6