



US00D375361S

United States Patent [19]

Østerby et al.

[11] Patent Number: **Des. 375,361**

[45] Date of Patent: ****Nov. 5, 1996**

[54] **PROXITECTOR**

[75] Inventors: **Ole Østerby**, Ny Kongevej 46,
DK-5000 Odense C; **Leif Ronneby**,
Årslev, both of Denmark

[73] Assignee: **Ole Østerby**, Odense, Denmark

[**] Term: **14 Years**

[21] Appl. No.: **37,817**

[22] Filed: **Apr. 21, 1995**

[30] **Foreign Application Priority Data**

Oct. 28, 1994 [DK] Denmark 0973 1994

[52] U.S. Cl. **D24/181**

[58] Field of Search D24/176, 181;
433/39

[56] **References Cited**

U.S. PATENT DOCUMENTS

D. 253,191 10/1979 Stark et al. D24/181
D. 297,362 8/1988 Dragan D24/181

2,647,315 8/1953 Dvorak 433/39
4,704,087 11/1987 Dragan 433/39
5,035,615 7/1991 Din 433/39
5,425,635 6/1995 Croll 433/39

FOREIGN PATENT DOCUMENTS

229976 3/1944 Switzerland .

Primary Examiner—Kay H. Chin
Attorney, Agent, or Firm—McAulay Fisher Nissen Goldberg
& Kiel

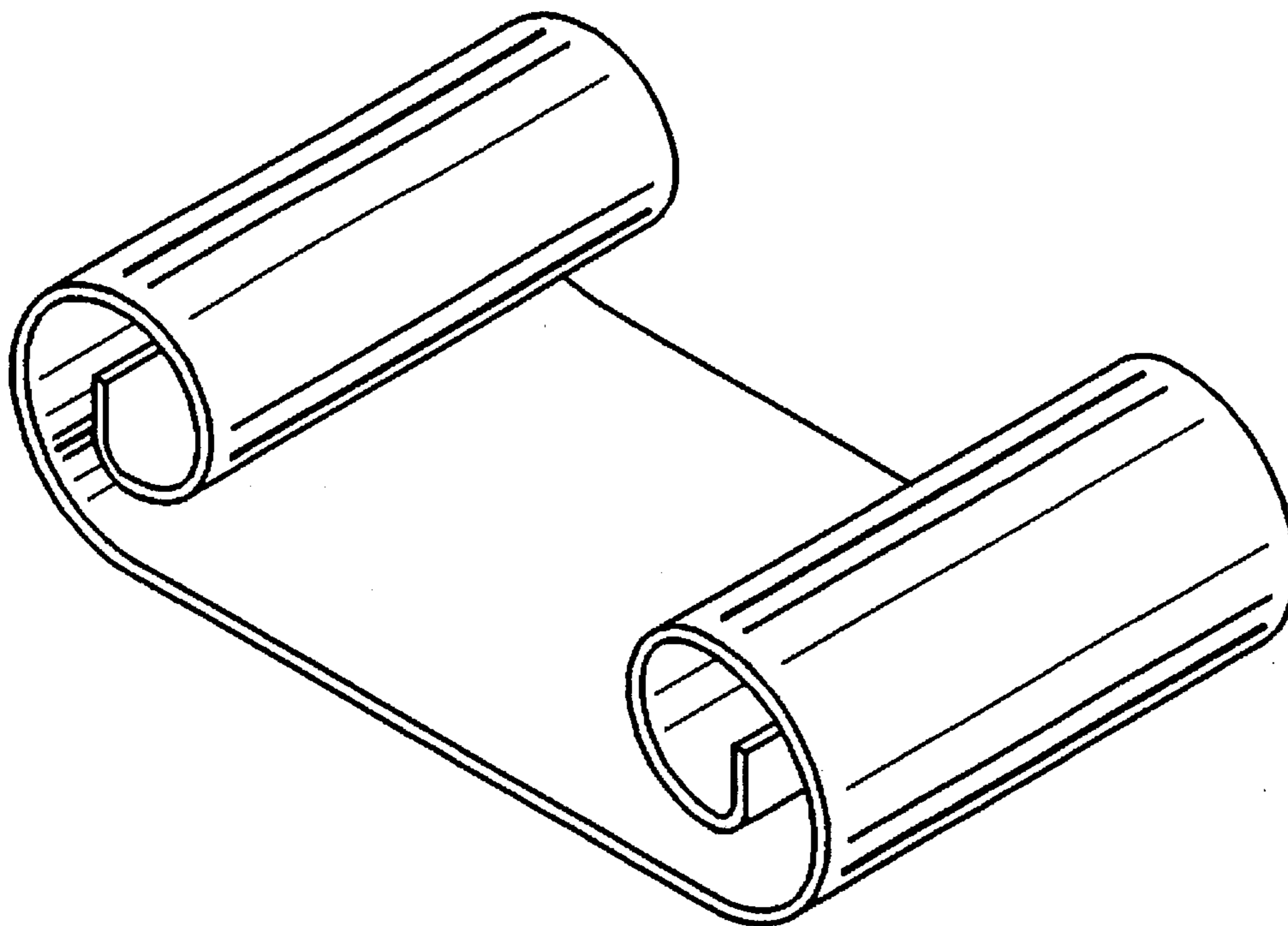
[57] **CLAIM**

The ornamental design for a proxitector, as shown and described.

DESCRIPTION

FIG. 1 is a perspective view of a proxitector showing our new design;
FIG. 2 is a top view of FIG. 1;
FIG. 3 is a rear elevational view of FIG. 1; and,
FIG. 4 is a right or left side elevational view of FIG. 1.

1 Claim, 1 Drawing Sheet



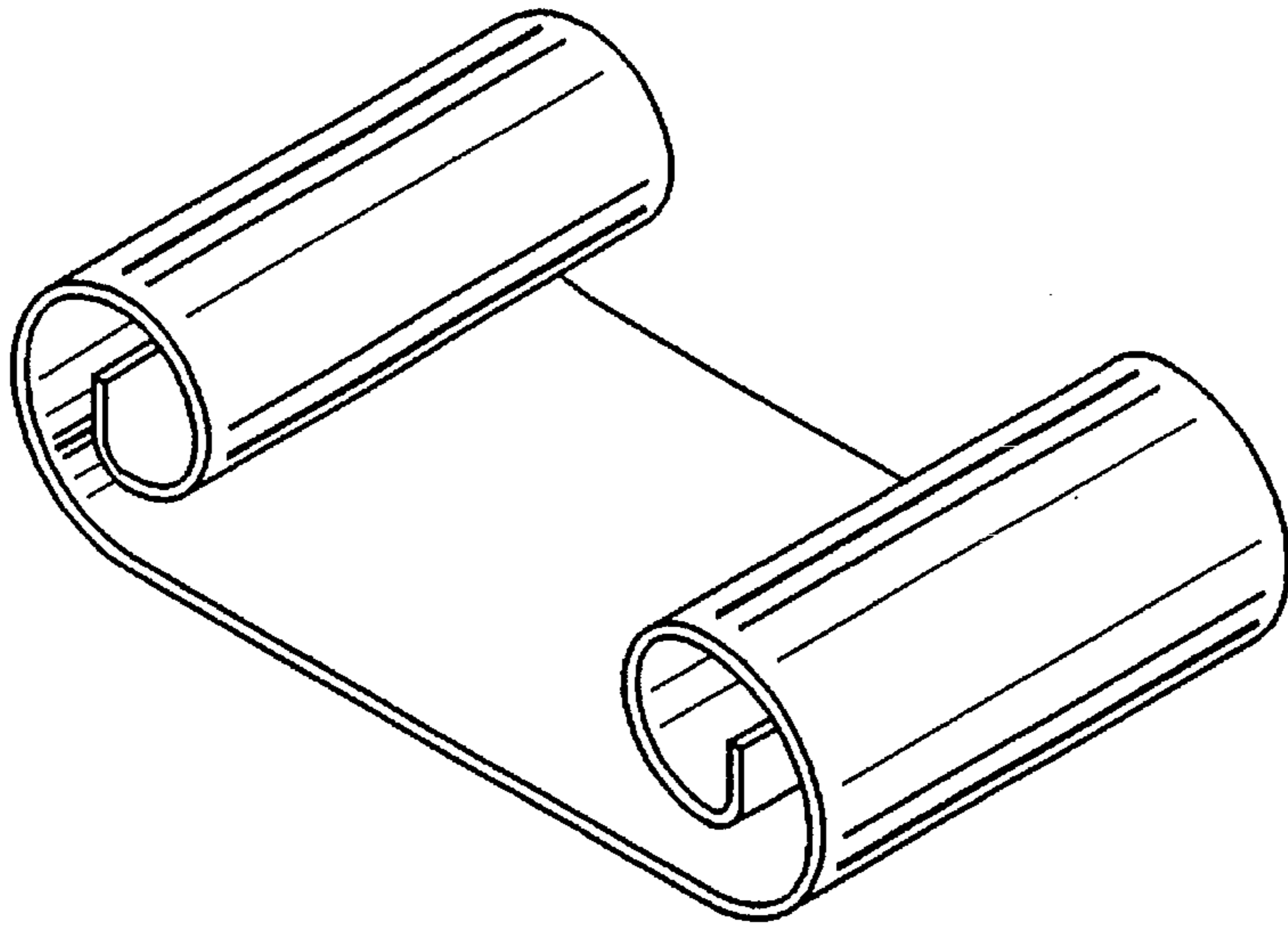


Fig. 1



Fig. 2

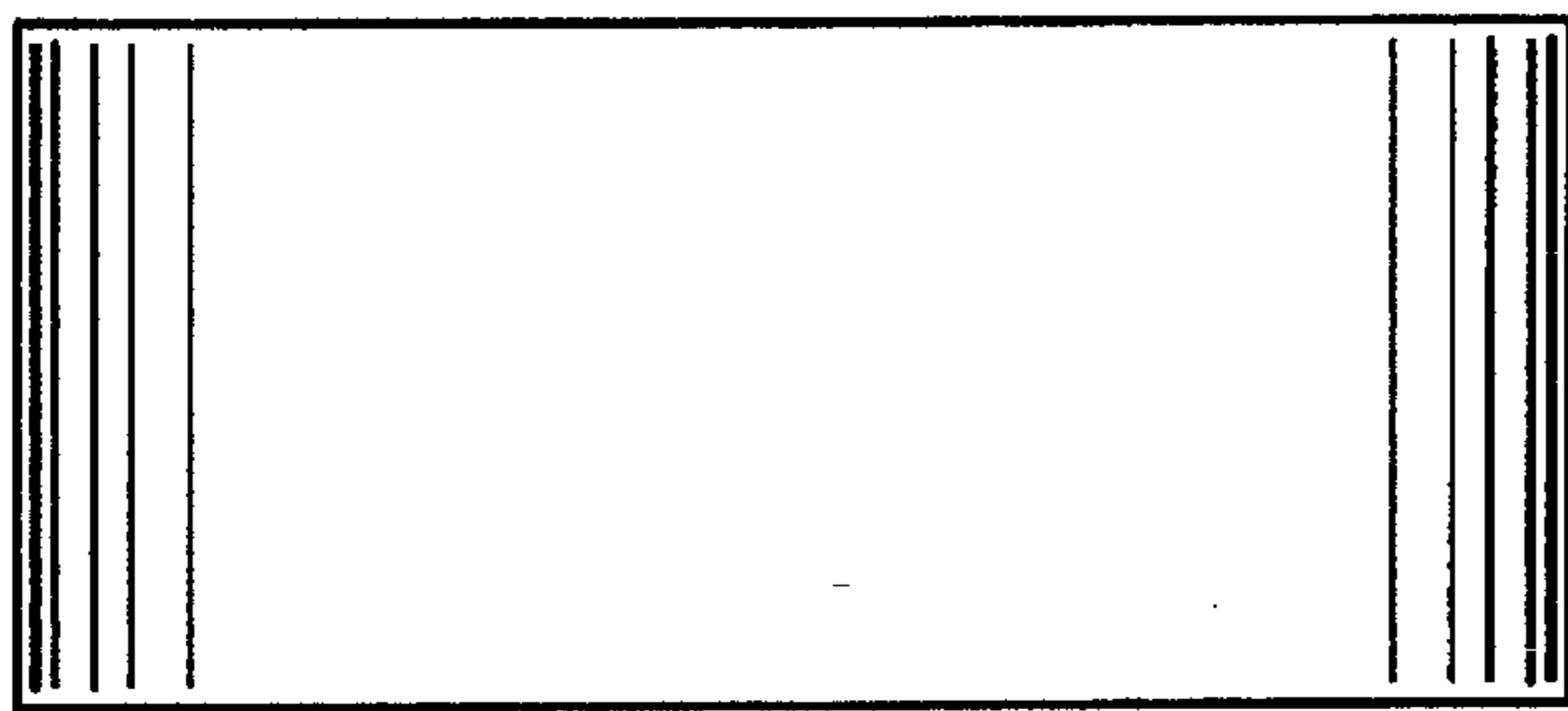


Fig. 3



Fig. 4