



US00D375351S

# United States Patent [19] Conforti

[11] Patent Number: **Des. 375,351**

[45] Date of Patent: **\*\*Nov. 5, 1996**

## [54] COMBINED SUCTION AND FILTERING HOOD FOR KITCHENS

[75] Inventor: **Gabriele Conforti**, Fabriano, Italy

[73] Assignee: **TURBOAIR S.p.A.**, Italy

[\*\*] Term: **14 Years**

[21] Appl. No.: **41,236**

[22] Filed: **Jul. 10, 1995**

### [30] Foreign Application Priority Data

Jan. 12, 1995 [IT] Italy ..... TO9500006

[52] U.S. Cl. .... **D23/372**

[58] Field of Search ..... D23/372, 370,  
D23/371; 126/299 R, 299 D

### [56] References Cited

#### U.S. PATENT DOCUMENTS

D. 327,541	6/1992	Chen	.....	D23/372
3,286,445	11/1966	Welch	.....	126/299 X
4,120,290	10/1978	Bowen, Jr. et al.	.....	126/299
5,377,665	1/1995	Jang	.....	126/299 R
5,448,987	9/1995	Jang	.....	126/299 R

### OTHER PUBLICATIONS

Airsweep brochure, Aug. 1961, p. 2, Hood shown in p. 2. Fasco Hoods Flyer, Mar. 1959, only page, 1075 Series.

*Primary Examiner*—Susan J. Lucas

*Assistant Examiner*—Cynthia E. Ramirez

*Attorney, Agent, or Firm*—Levine & Mandelbaum

### [57] CLAIM

The ornamental design for a combined suction and filtering hood for kitchens, as shown and described.

### DESCRIPTION

FIG. 1 is a front and upper left perspective view of a combined suction and filtering hood for kitchens showing my new design;

FIG. 2 is a front elevation of the design;

FIG. 3 is a left elevation of the design, the right elevation being a mirror image thereof;

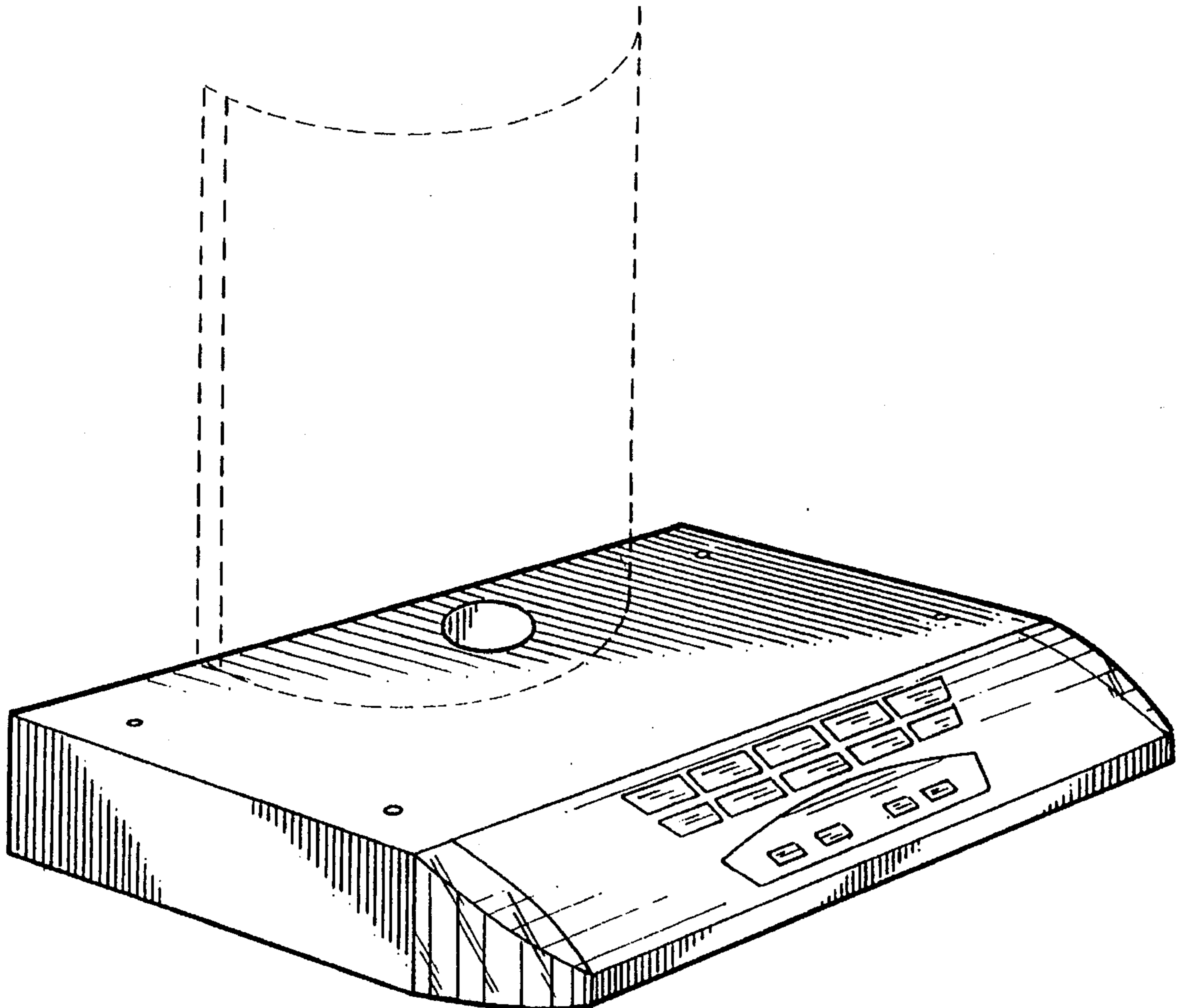
FIG. 4 is a top view of the design;

FIG. 5 is a bottom view of the design; and,

FIG. 6 is a rear elevation of the design.

The broken line showing of the exhaustion tube in FIG. 1 is for illustrative purposes only and forms no part of the claimed design.

**1 Claim, 3 Drawing Sheets**



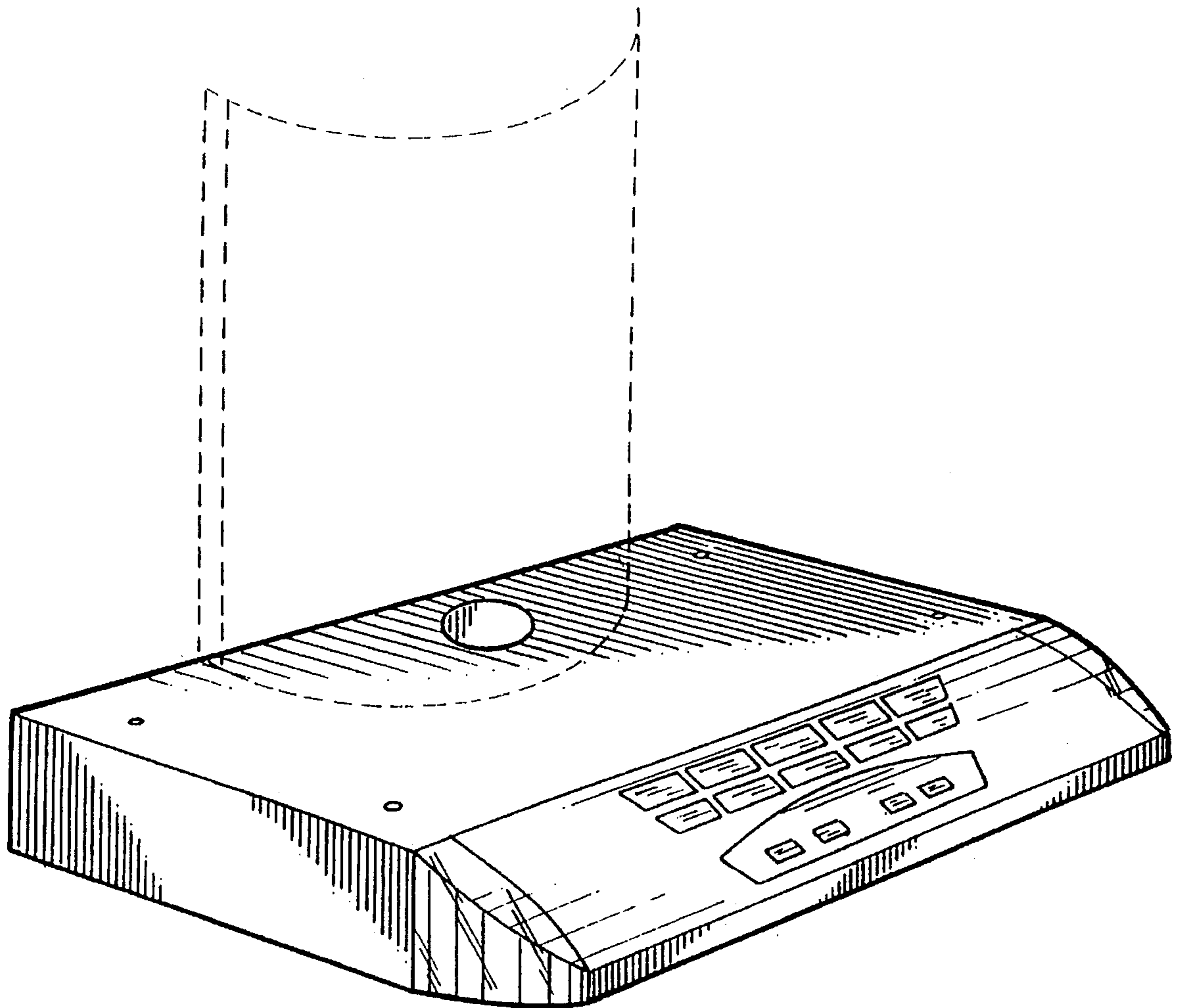


FIG. 1

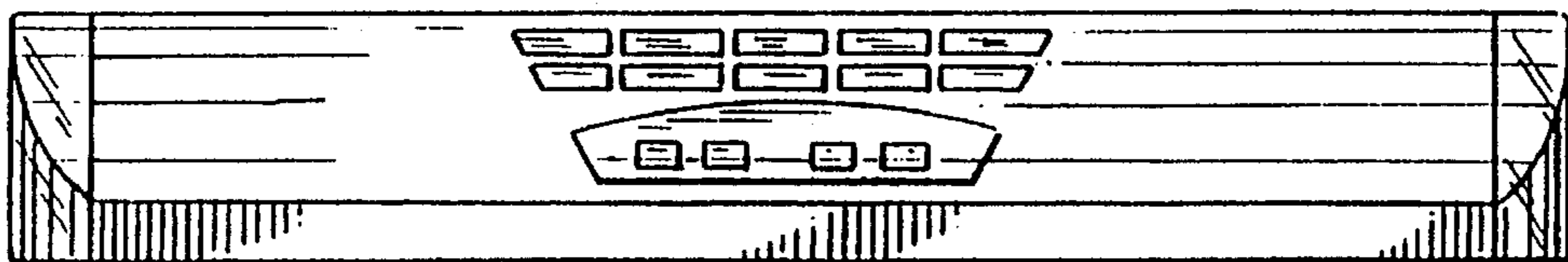


FIG. 2



FIG. 3

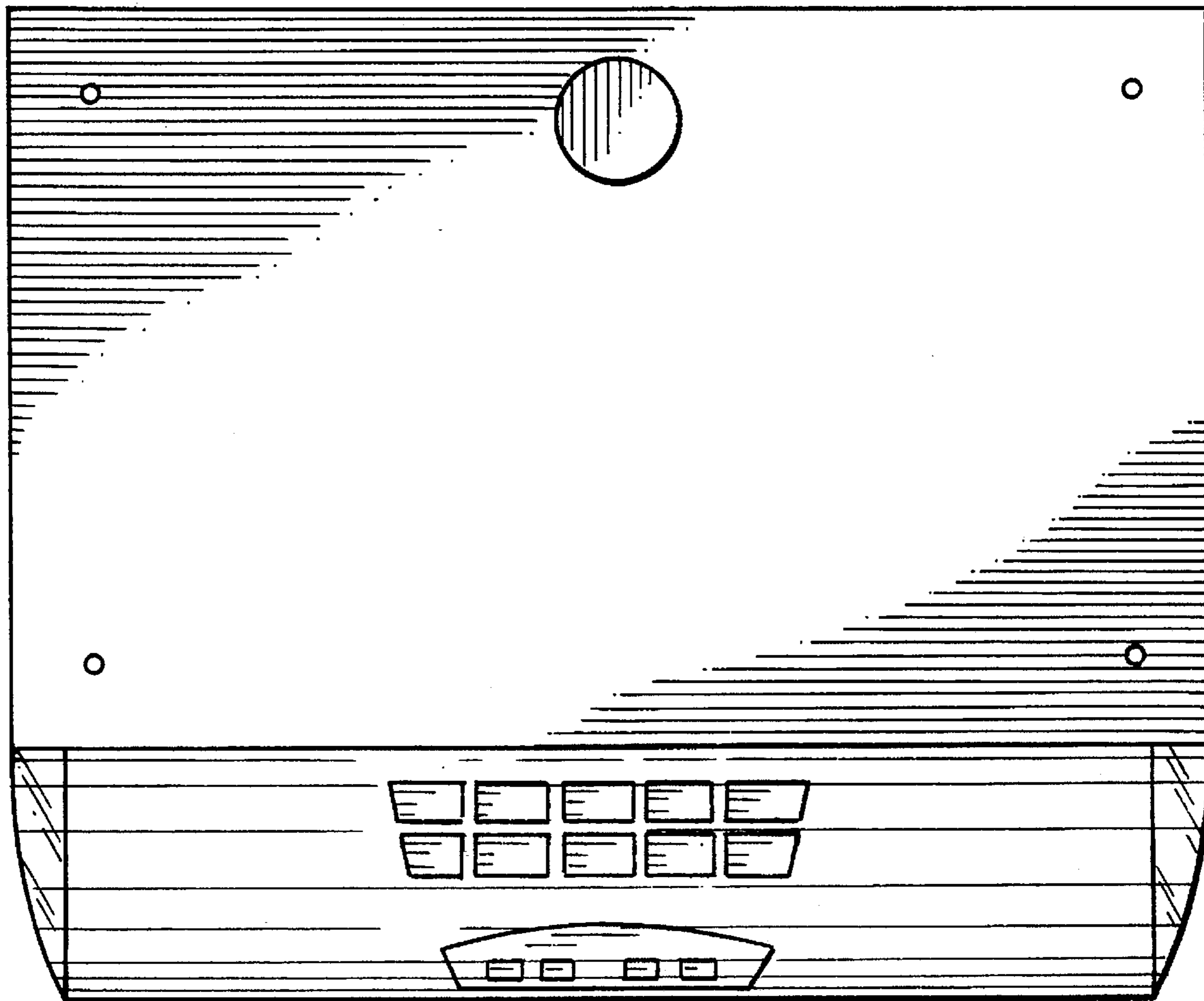


FIG. 4

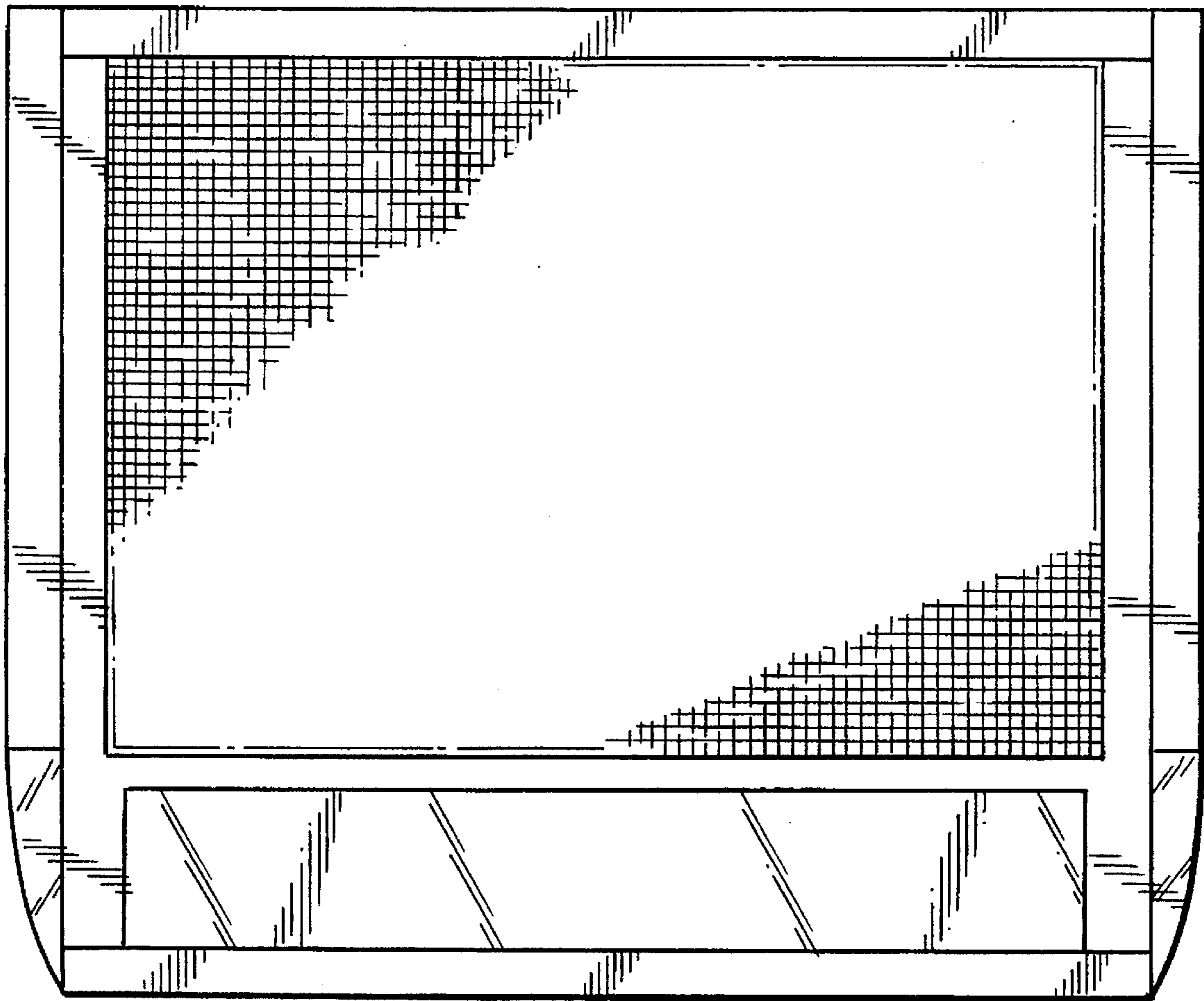


FIG. 5

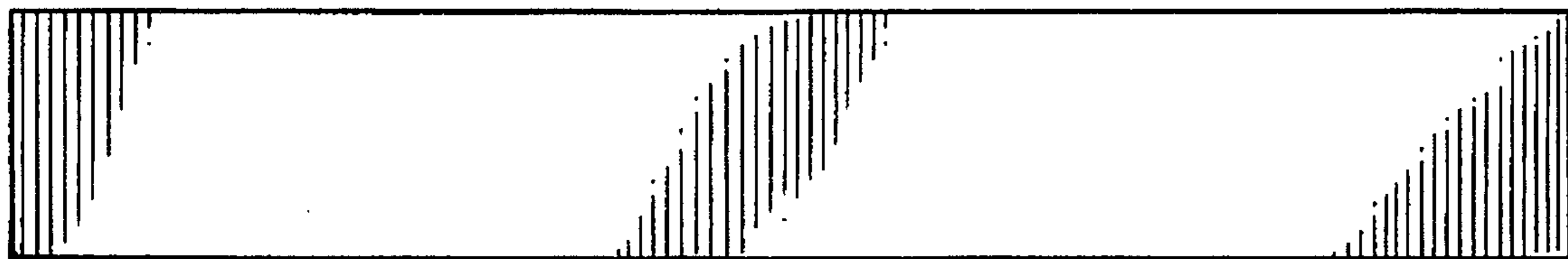


FIG. 6