



US00D375347S

# United States Patent [19]

Whalen et al.

[11] Patent Number: **Des. 375,347**

[45] Date of Patent: **\*\*Nov. 5, 1996**

[54] **PORTABLE OUTDOOR FIREPLACE**

4,498,452 2/1985 Schlosser et al. .

[75] Inventors: **Bernard F. Whalen**, Macomb; **Paul Doubet**, Farmington, both of Ill.

### FOREIGN PATENT DOCUMENTS

2916090 10/1979 Germany ..... 126/25 R  
397287 8/1932 United Kingdom ..... 126/224

[73] Assignee: **Yetter Manufacturing Co.**, Colchester, Ill.

### OTHER PUBLICATIONS

[\*\*] Term: **14 Years**

Weber Catalogue, p. 14, Kettles (A) and (B) top right and lower left side of page respectively, and p. 15 cookers (C) and (D) left and upper right side of page respectively.

[21] Appl. No.: **33,375**

[22] Filed: **Jan. 11, 1995**

*Primary Examiner*—Lisa P. Lichtenstein

[52] U.S. Cl. .... **D23/317; D7/332; D7/337; D23/314; D23/348**

*Attorney, Agent, or Firm*—Lee, Mann, Smith, McWilliams, Sweeney & Ohlson

[58] **Field of Search** ..... D23/314, 317, D23/343, 348, 350; D7/332, 337, 334; 110/240, 241, 242; 126/519, 547-551, 190, 193, 200, 224, 222, 223, 25 R

### [57] CLAIM

The ornamental design for a portable outdoor fireplace, as shown and described.

### [56] References Cited

### DESCRIPTION

#### U.S. PATENT DOCUMENTS

FIG. 1 is a perspective view of a portable outdoor fireplace showing our new design;

D. 192,491	3/1962	Crownover	.....	D23/348
D. 200,137	1/1965	Hanna	.	
D. 284,929	8/1986	Schlosser et al.	.....	D7/337
D. 293,191	12/1987	Stephen et al.	.	
D. 318,327	7/1991	Sorensen	.....	D23/348
3,981,292	9/1976	Lilly et al.	.	
4,216,760	8/1980	Wiggins	.	
4,273,096	6/1981	Hannebaum	.	
4,332,235	6/1982	Hannebaum	.	

FIG. 2 is a left side elevational view thereof;

FIG. 3 is a front elevational view thereof;

FIG. 4 is a top plan view thereof;

FIG. 5 is a bottom view thereof;

FIG. 6 is a right side elevational view thereof; and,

FIG. 7 is a rear elevational view thereof.

**1 Claim, 3 Drawing Sheets**

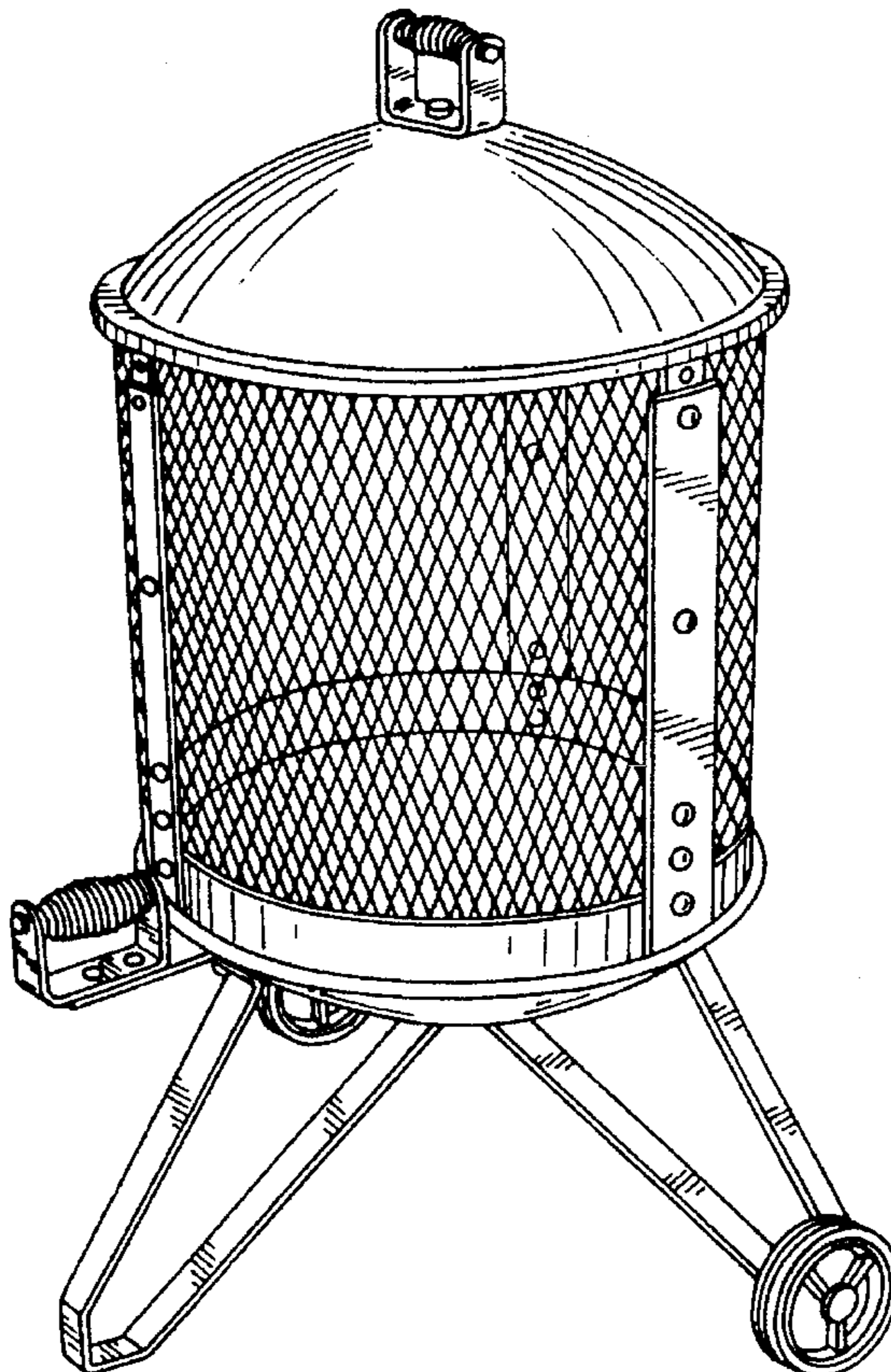


FIG. 2

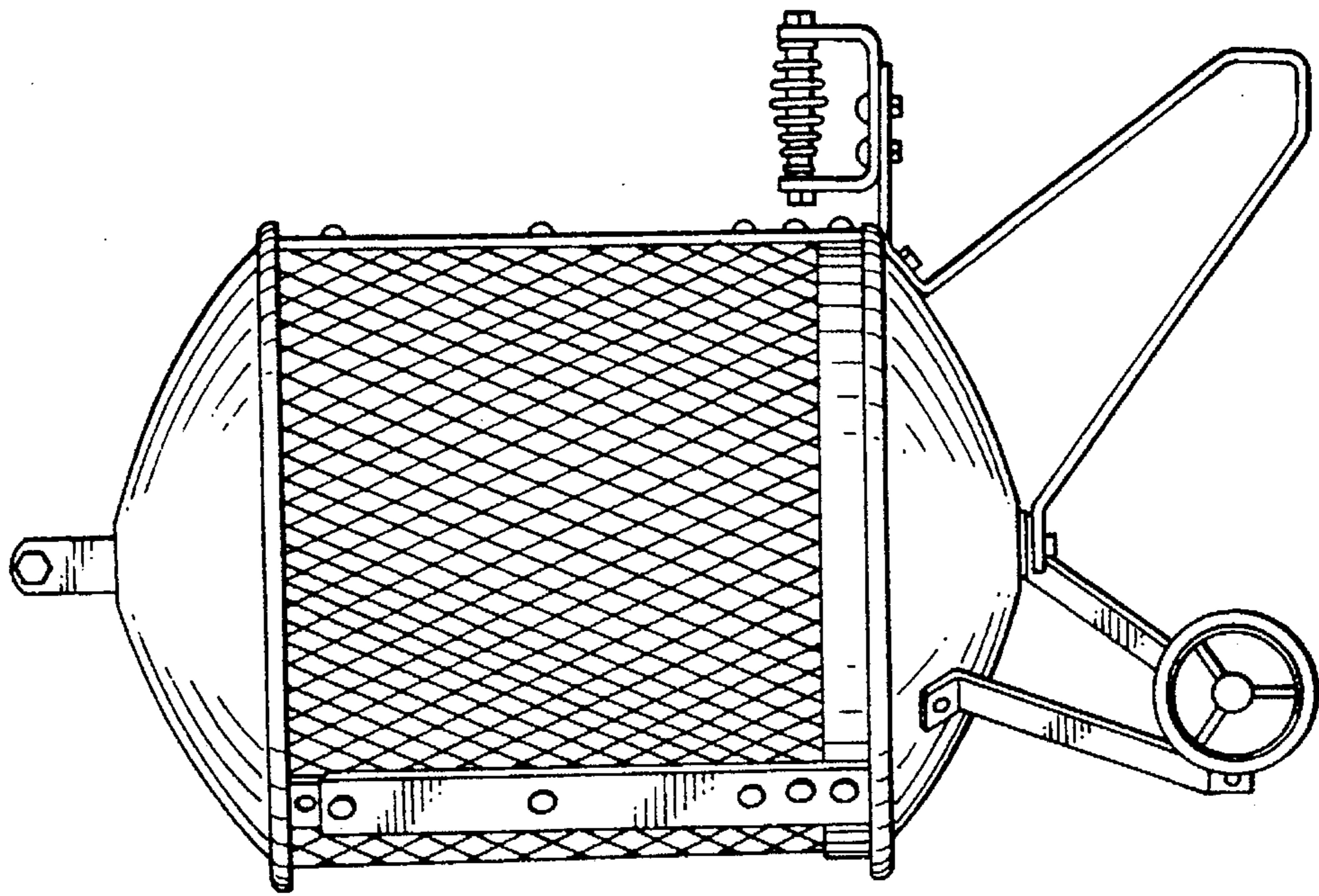


FIG. 1

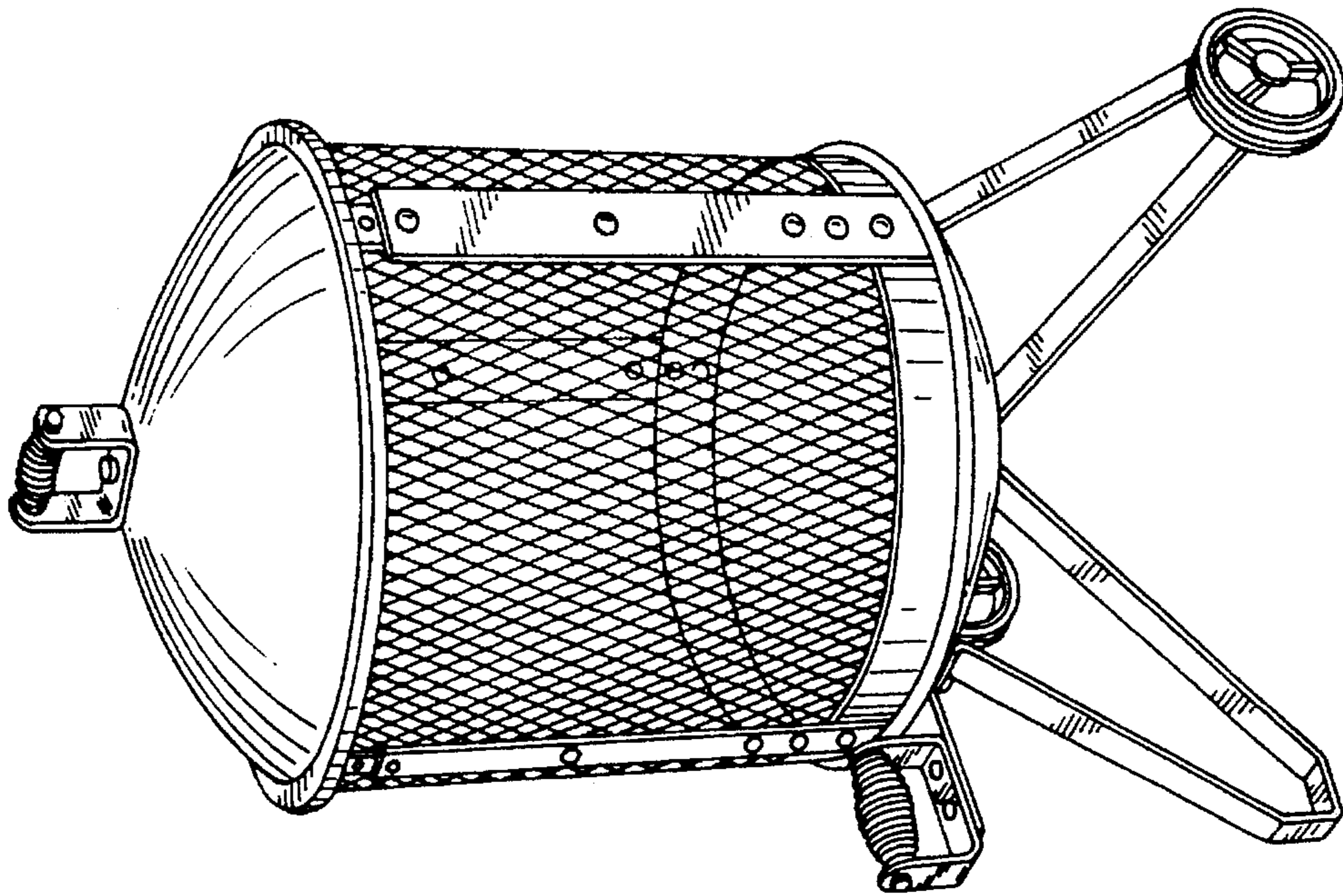




FIG. 3

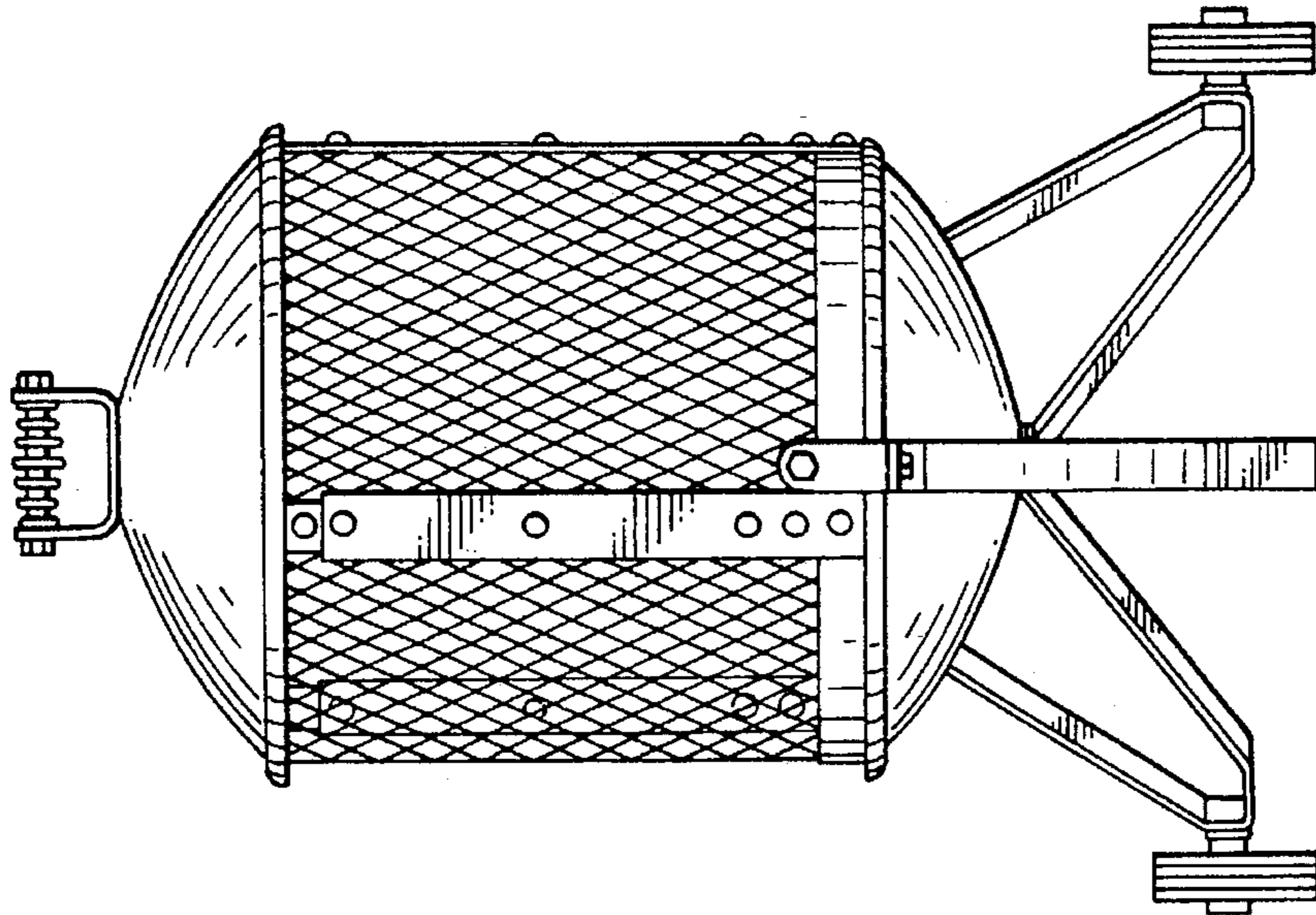


FIG. 4

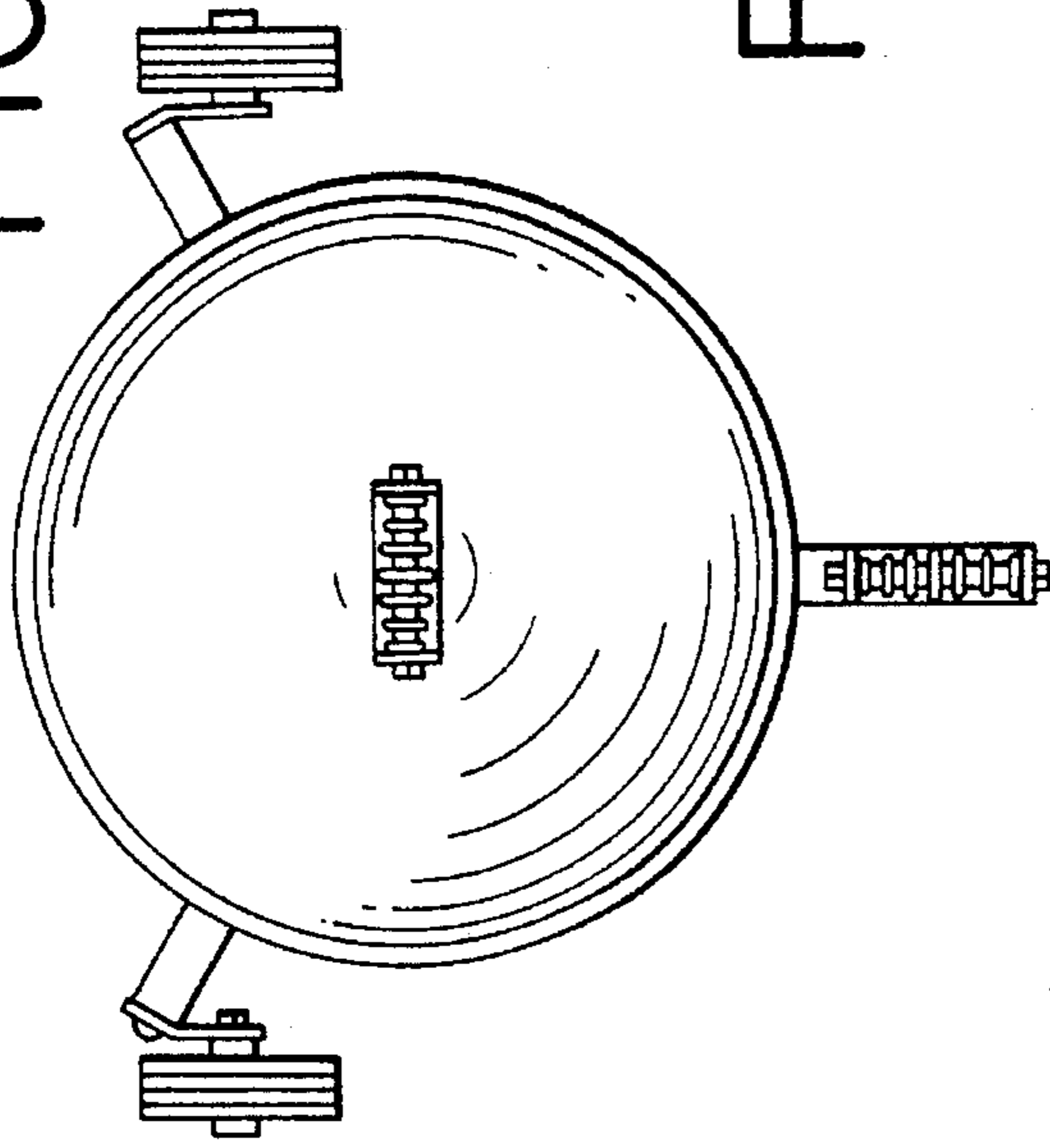


FIG. 5

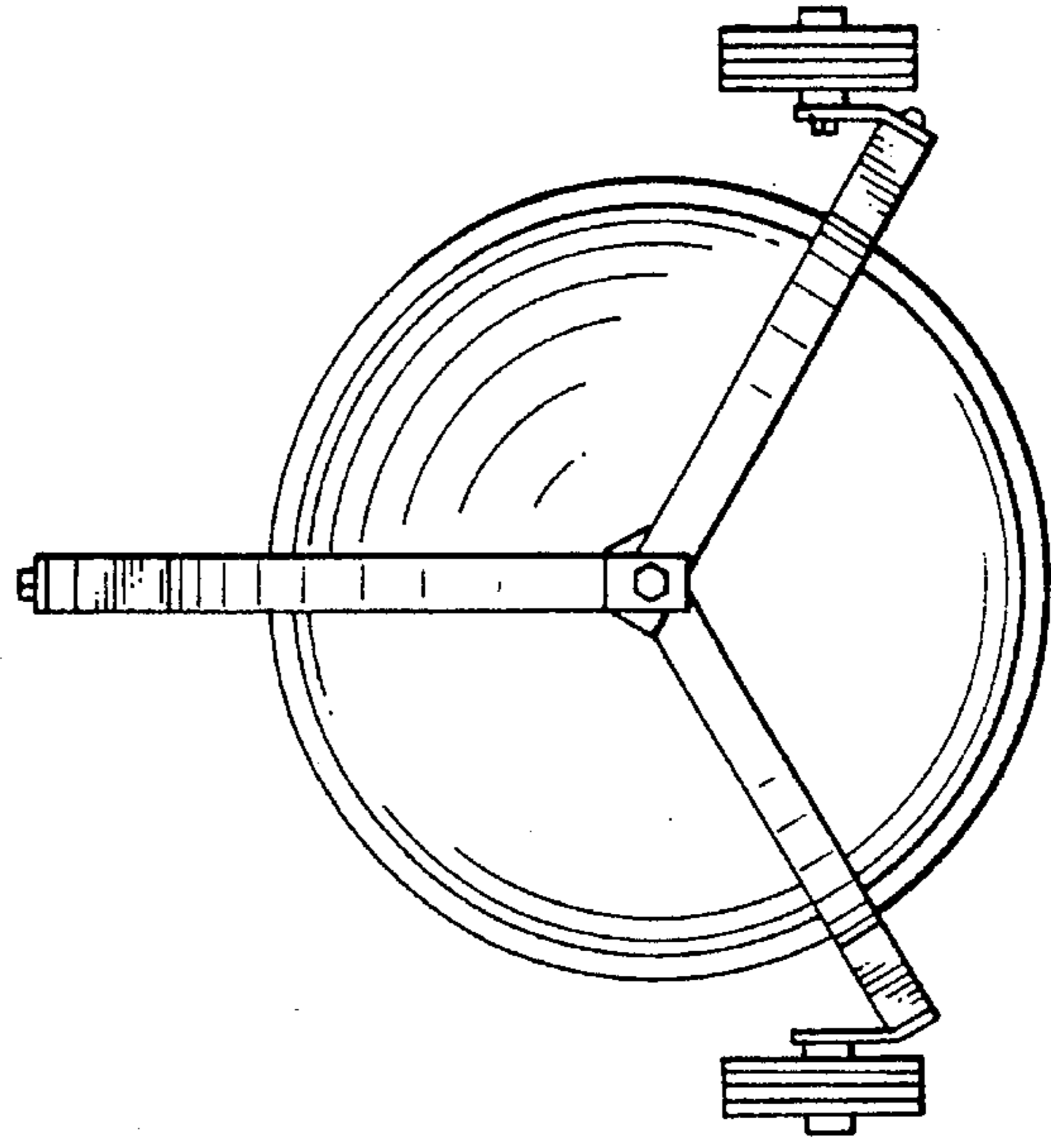


FIG. 7

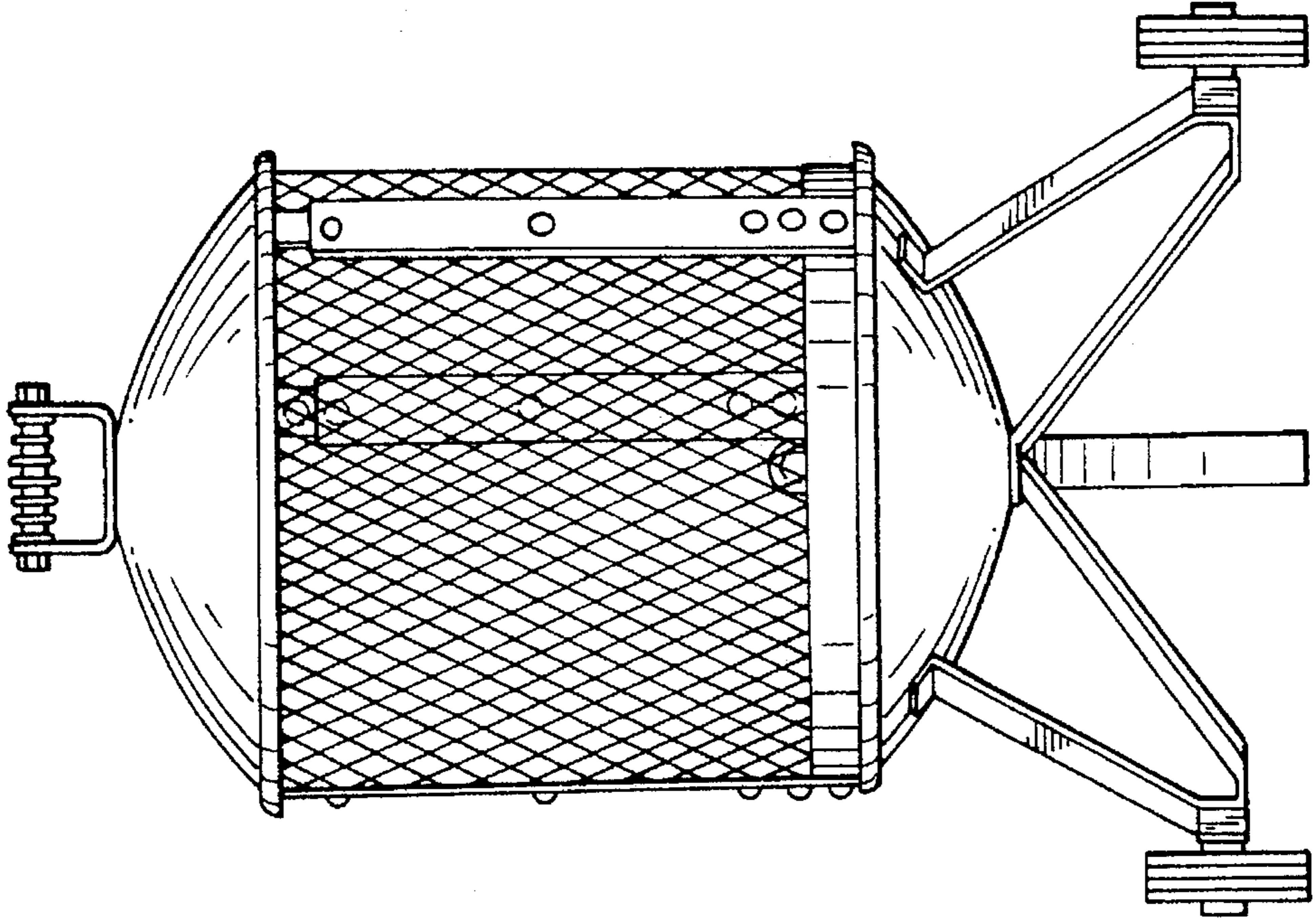


FIG. 6

