



US00D375346S

**United States Patent** [19]  
**Garcia**

[11] **Patent Number: Des. 375,346**

[45] **Date of Patent: \*\*Nov. 5, 1996**

[54] **ILLUMINATED TOILET SEAT**

[76] Inventor: **Juan Garcia**, 2499 Kapiolani Blvd.,  
Apt. 1001, Honolulu, Hi. 96826

[\*\*] Term: **14 Years**

[21] Appl. No.: **37,252**

[22] Filed: **Apr. 7, 1995**

[52] U.S. Cl. .... **D23/311**

[58] Field of Search ..... D23/309, 310,  
D23/311, 312; 4/217, 234, 236, 242.1,  
245.1, 245.3, 252.1, 253, 233, 237

[56] **References Cited**

**U.S. PATENT DOCUMENTS**

D. 336,953	1/1993	Smith, Jr. ....	D23/311
D. 349,760	8/1994	Schlumpf ....	D23/311
2,460,543	2/1949	Spierer ....	4/233
3,982,288	9/1976	Borne ....	4/237
5,123,130	6/1992	Sanders ....	4/234 X

*Primary Examiner*—Louis S. Zarfes  
*Assistant Examiner*—E. Watterson  
*Attorney, Agent, or Firm*—Harold H. Dutton, Jr.; W. Charles  
L. Jamison; Diane S. Liebman

[57] **CLAIM**

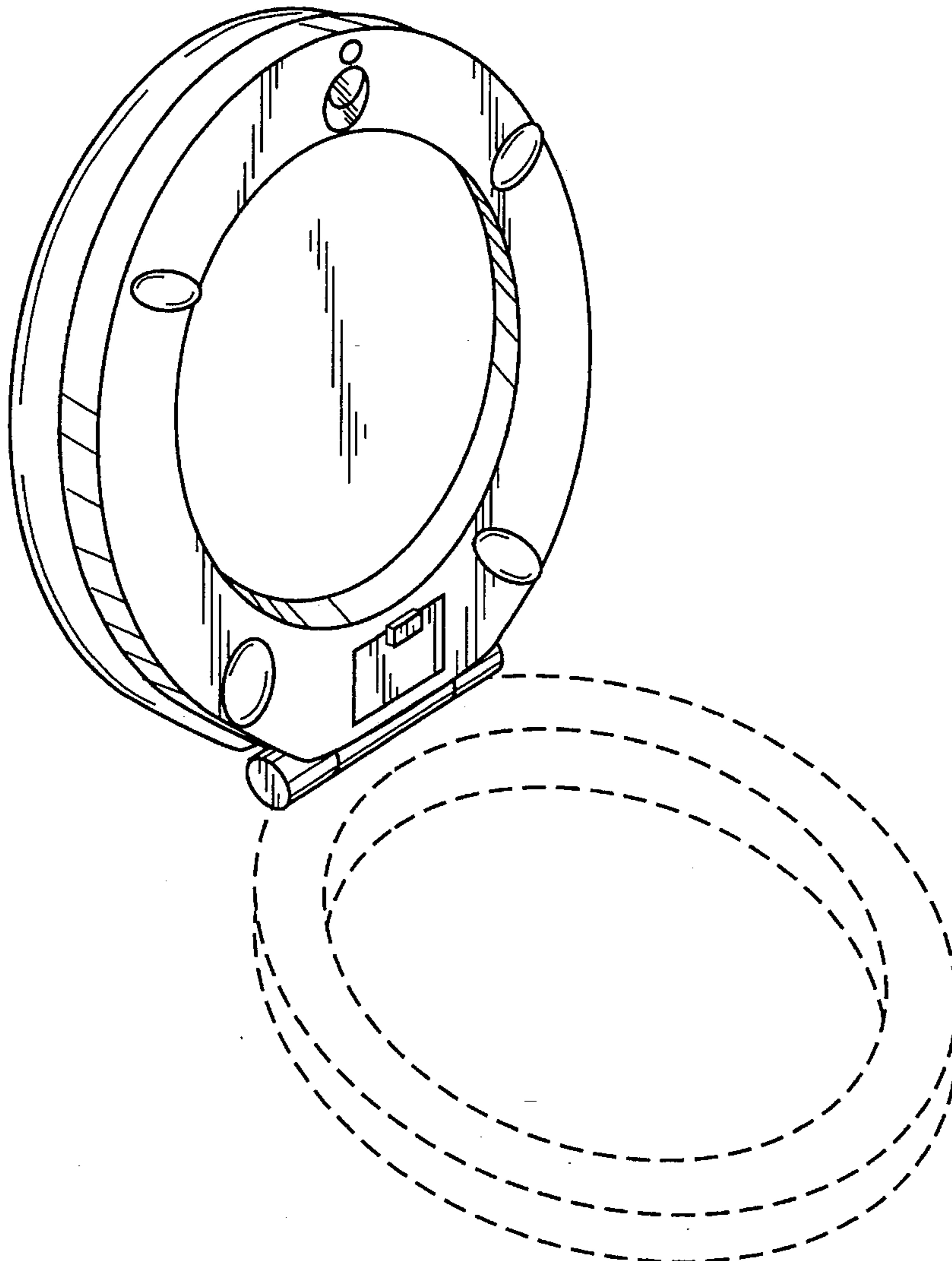
The ornamental design for an illuminated toilet seat, as shown.

**DESCRIPTION**

FIG. 1 is a perspective view of an illuminated toilet seat in a lifted position, showing my new design;  
FIG. 2 is a top view with the lid in a lifted position;  
FIG. 3 is a left side view;  
FIG. 4 is a right side view;  
FIG. 5 is a front view;  
FIG. 6 is a rear view; and,  
FIG. 7 is a top view.

The broken line showing is for illustrative purposes only and forms no part of the claimed design.

**1 Claim, 5 Drawing Sheets**



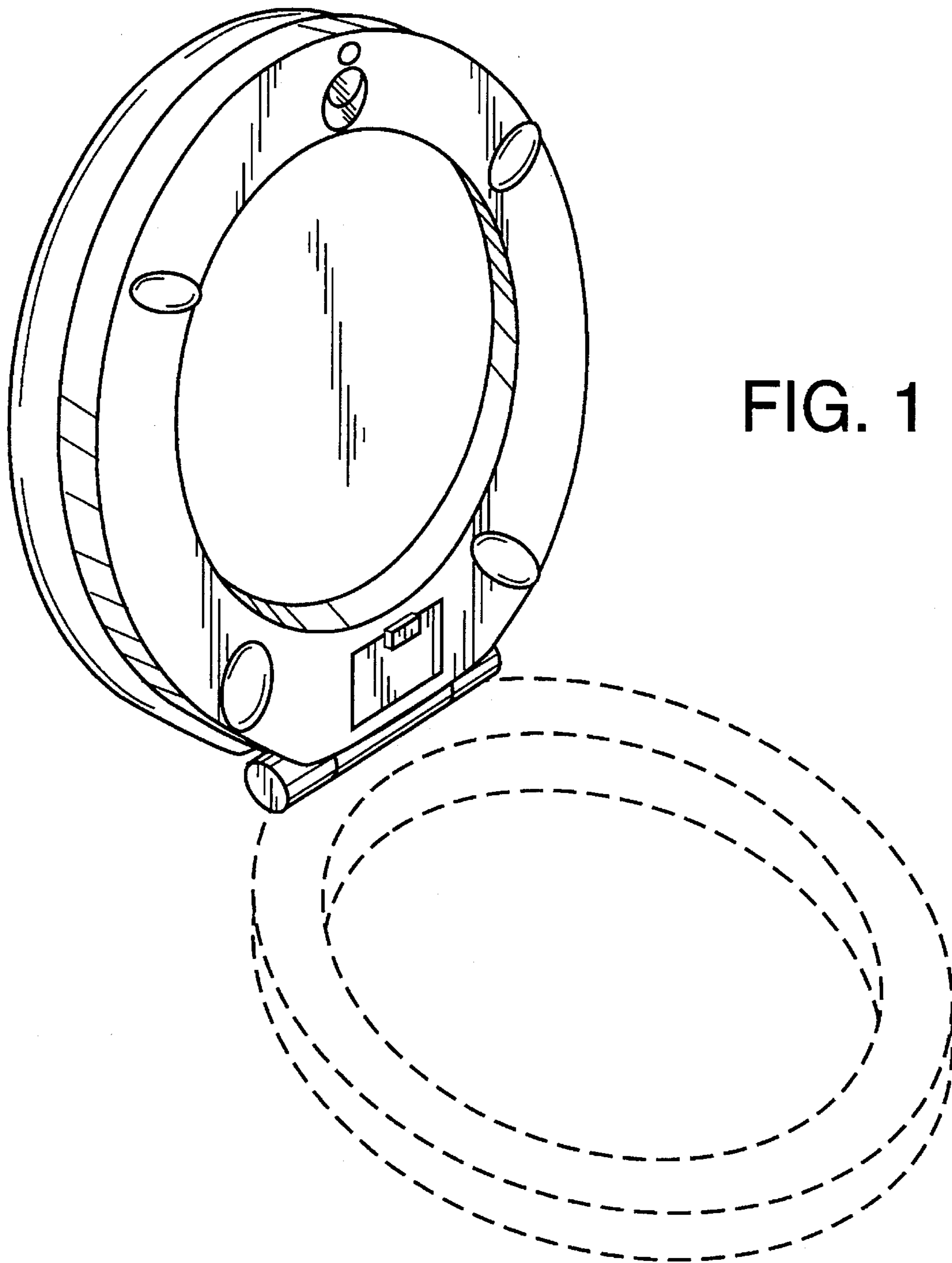


FIG. 1

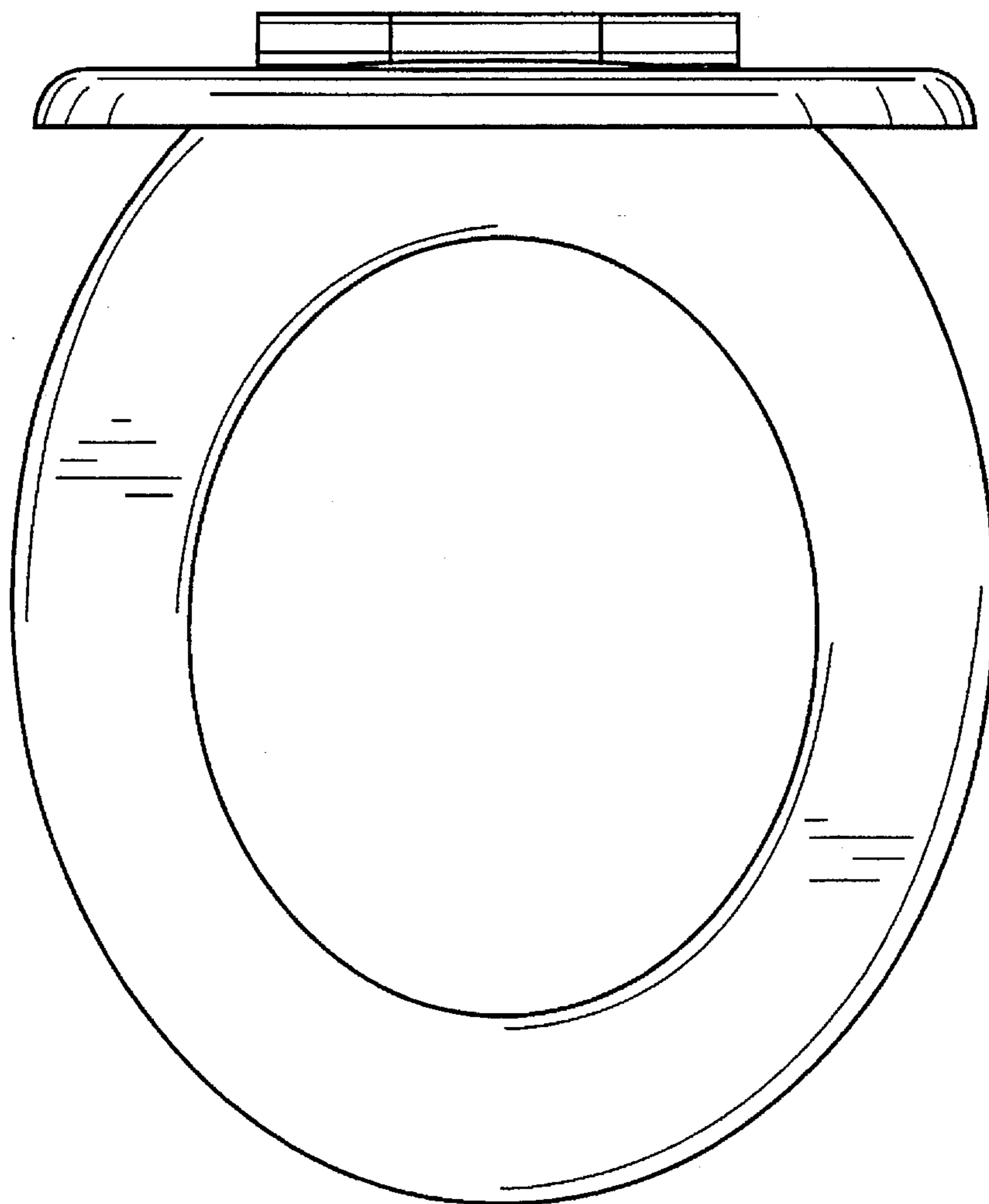


FIG. 2

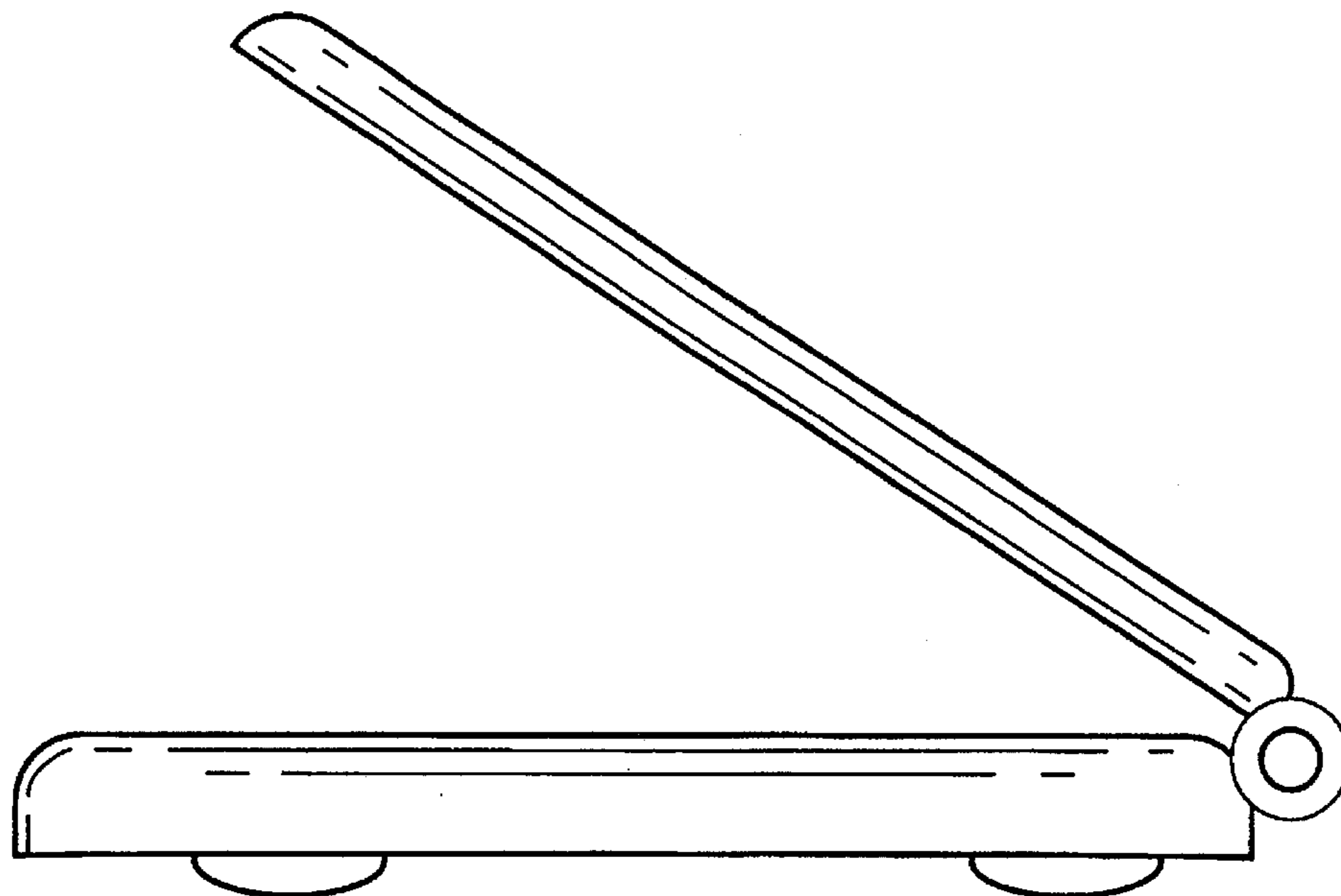


FIG. 3

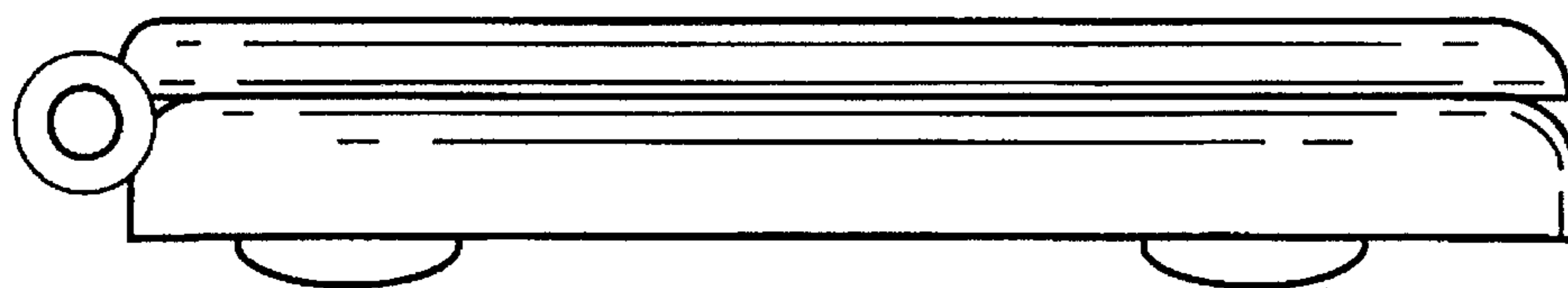


FIG. 4

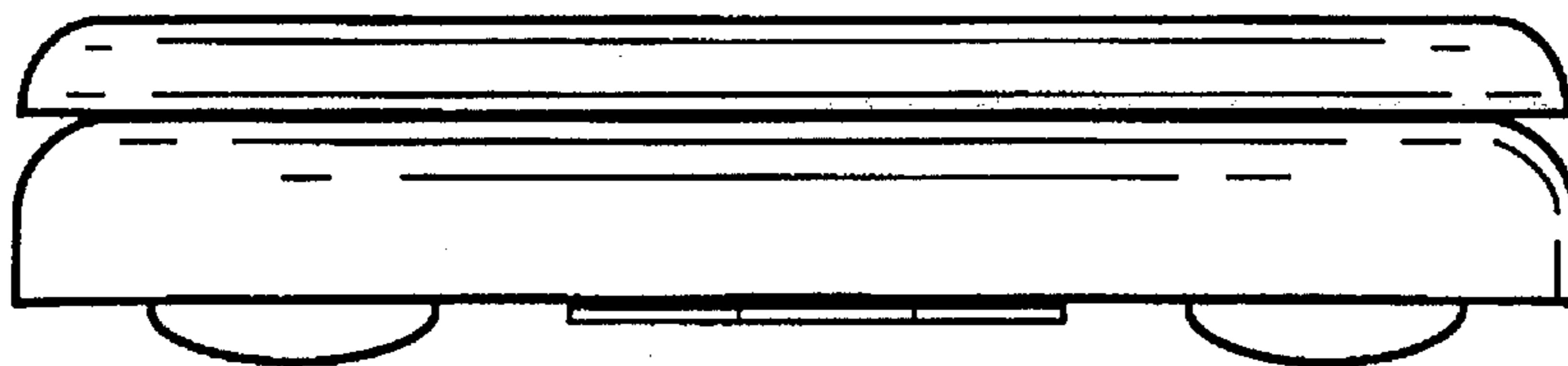


FIG. 5

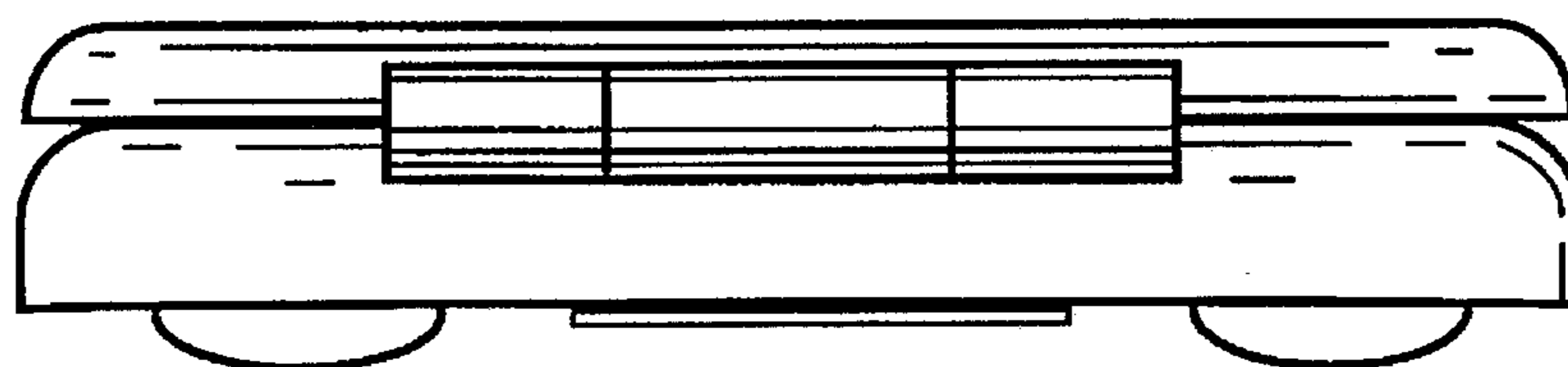


FIG. 6

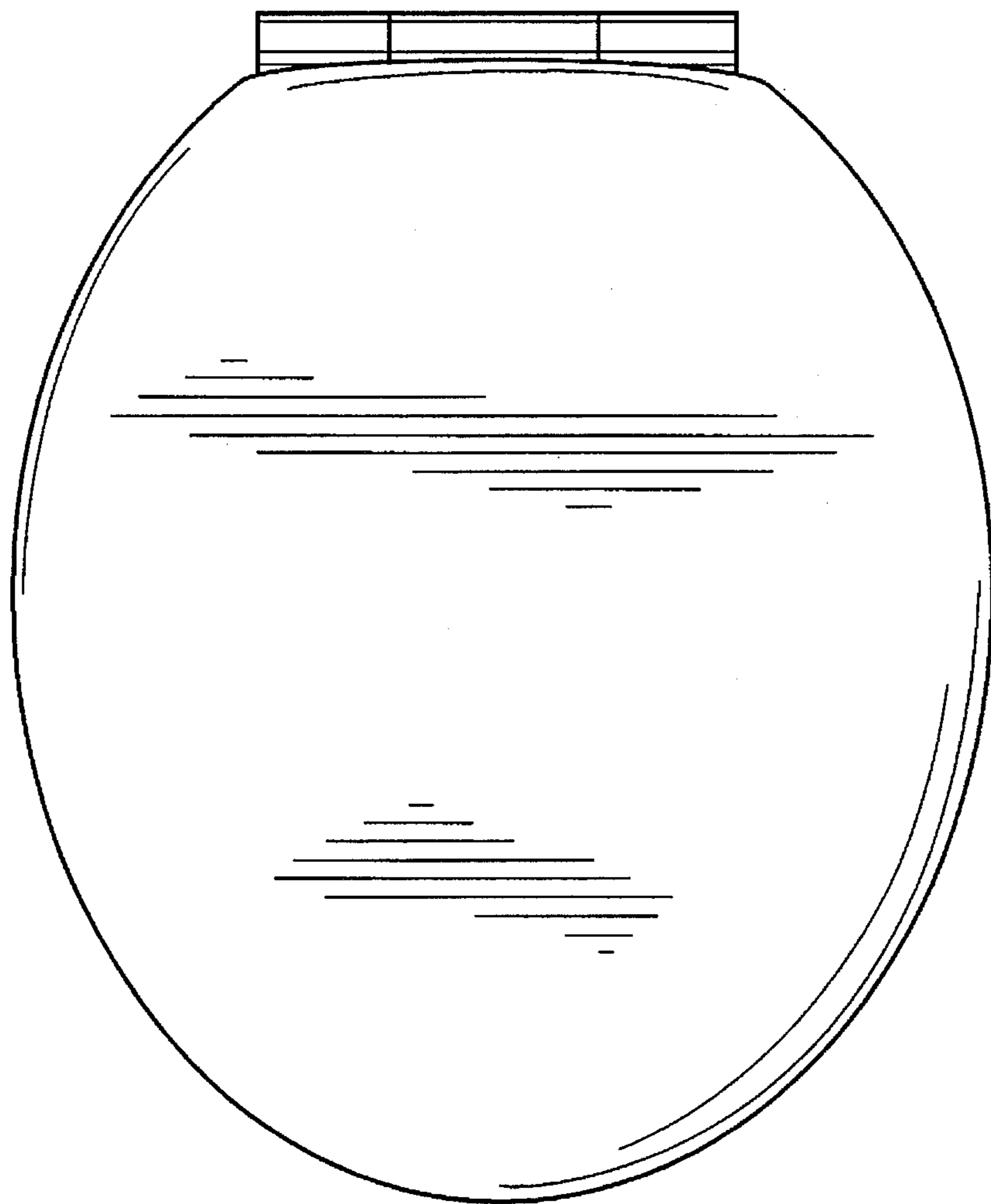


FIG. 7