



US00D375344S

United States Patent [19]

[11] Patent Number: **Des. 375,344**

Simonette

[45] Date of Patent: ****Nov. 5, 1996**

[54] FLOW NOZZLE

[75] Inventor: **Dallas Simonette**, Andover, Minn.

[73] Assignee: **General Pump/US, Inc.**, Mendota Heights, Minn.

[**] Term: **14 Years**

[21] Appl. No.: **39,711**

[22] Filed: **Jun. 2, 1995**

[52] U.S. Cl. **D23/218**

[58] Field of Search D23/213, 223-227;
239/373, 394, 414, 415, 380-3, 390-1,
288, 288.3, 288.5

[56] References Cited

U.S. PATENT DOCUMENTS

D. 132,183	4/1942	Lewis	D23/213
D. 231,928	6/1974	Nelson	D23/213
D. 235,261	6/1975	Wichman	D23/213
D. 259,735	6/1981	Moreland	D23/213
D. 311,606	10/1990	Henry	D23/213
4,562,964	1/1986	Diamond	239/288.5
5,291,621	3/1994	Mathis	239/414

Primary Examiner—A. Hugo Word
Assistant Examiner—Robin V. Taylor
Attorney, Agent, or Firm—Janal M. Kalis

[57] CLAIM

The ornamental design for a flow nozzle, as shown and described.

DESCRIPTION

FIG. 1 is a perspective view of a flow nozzle showing one

embodiment of our new design;

FIG. 2 is a side elevational view, taken from a left hand side of FIG. 1;

FIG. 3 is a side elevational view, taken from a right hand side of FIG. 1;

FIG. 4 is a side elevational view, rotated from the left hand side of FIG. 1;

FIG. 5 is a side elevational view, rotated from the right hand side of FIG. 1;

FIG. 6 is an elevated view of the front thereof;

FIG. 7 is an elevated view of the rear thereof;

FIG. 8 is a perspective view of a flow nozzle showing an alternate embodiment of my design;

FIG. 9 is a side elevational view, taken from the right hand side of FIG. 8;

FIG. 10 is a side elevational view, taken from the right hand side of FIG. 8;

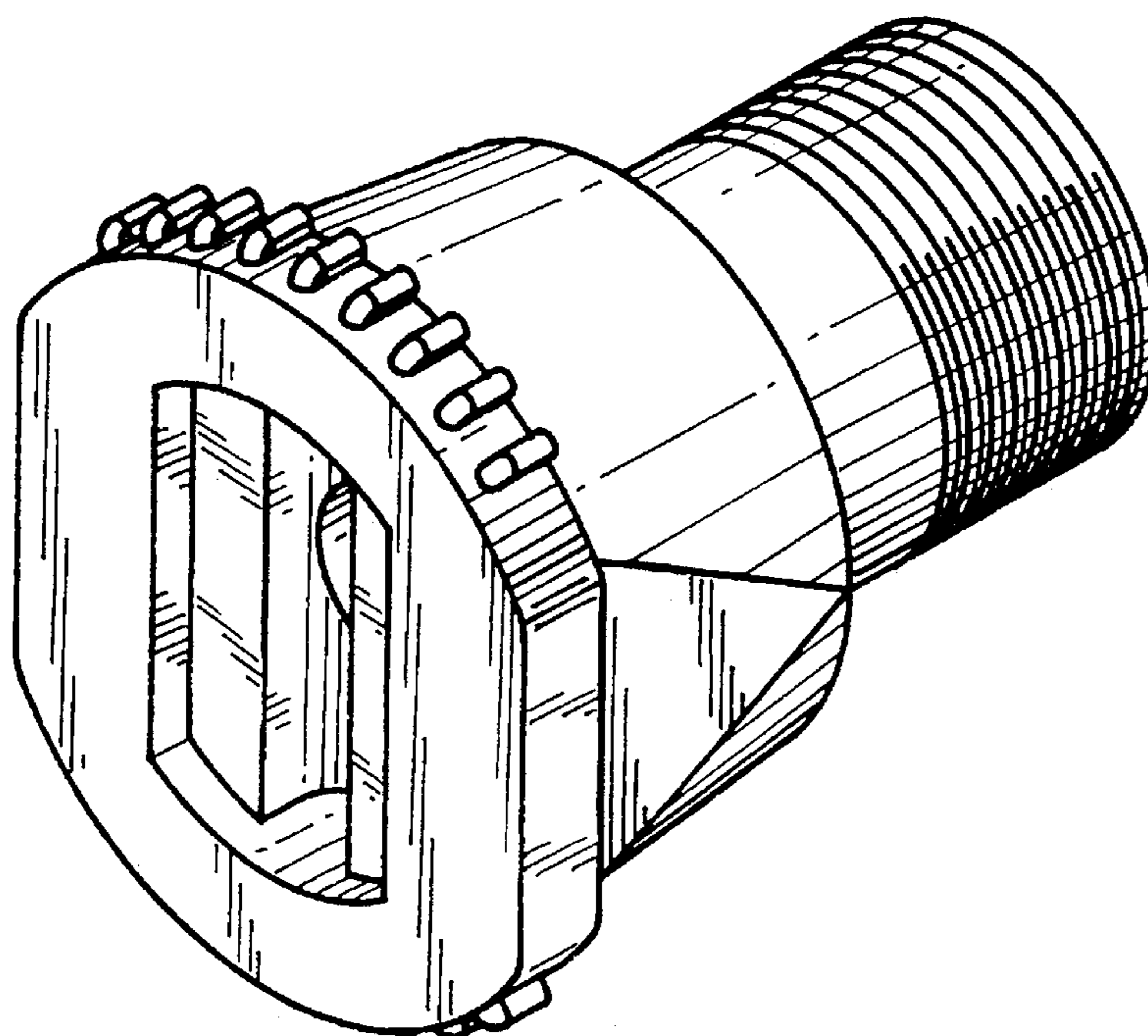
FIG. 11 is a side elevational view, rotated from the left hand side of FIG. 8;

FIG. 12 is a side elevational view, rotated from the right hand side of FIG. 8;

FIG. 13 is an elevational view of the front thereof; and,

FIG. 14 is an elevational view of the rear thereof.

1 Claim, 6 Drawing Sheets



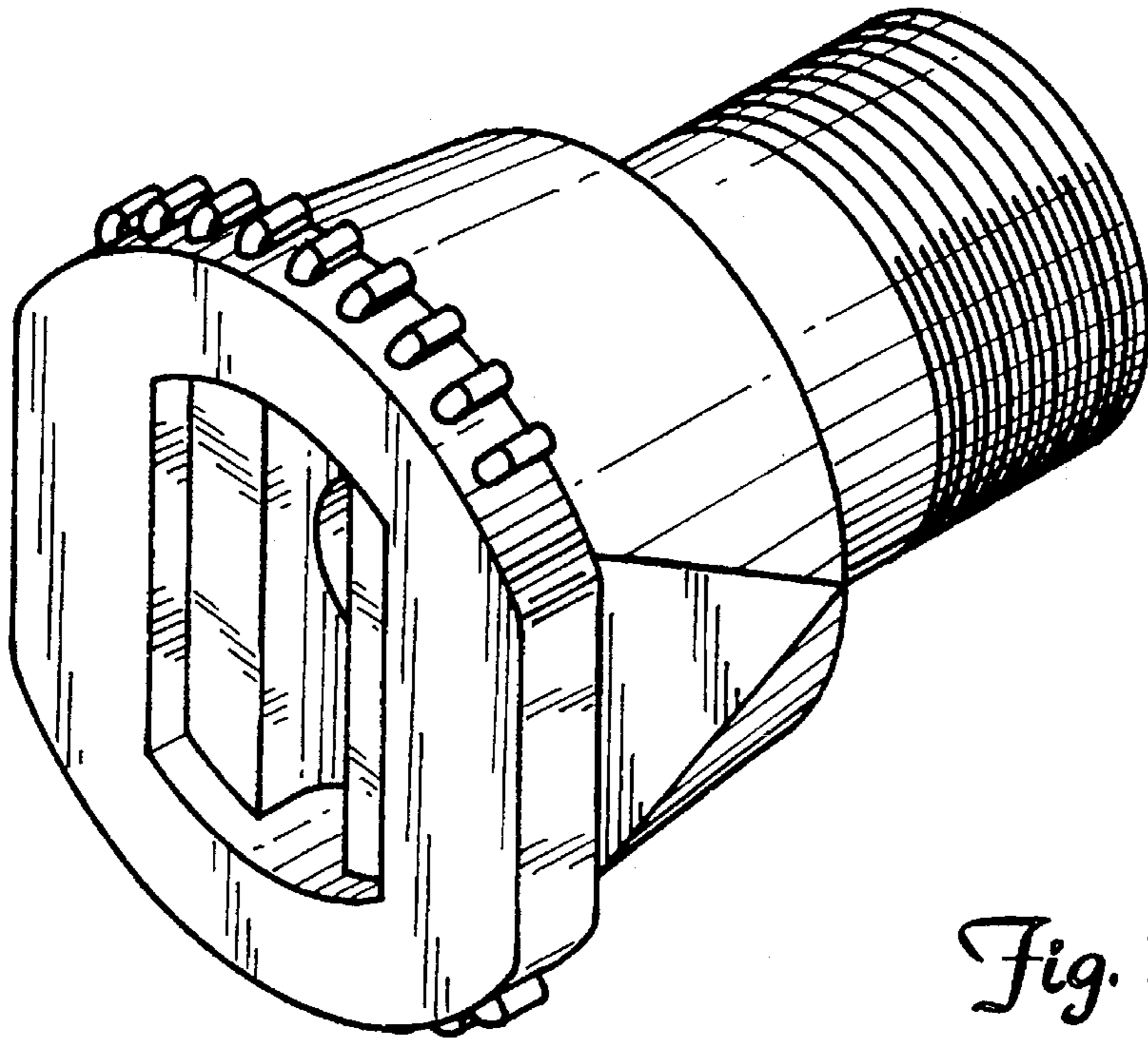


Fig. 1

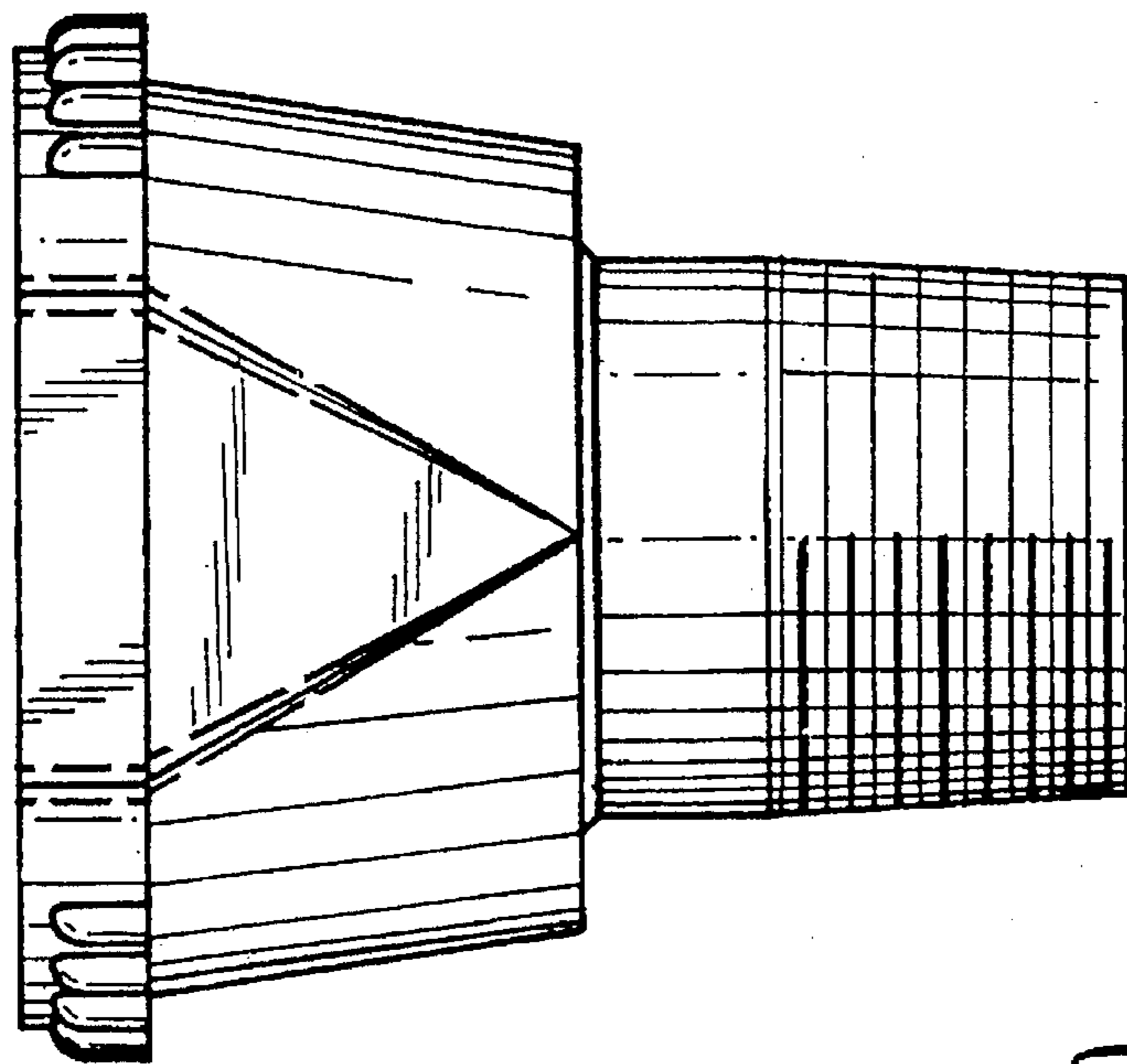


Fig. 2

Fig. 3

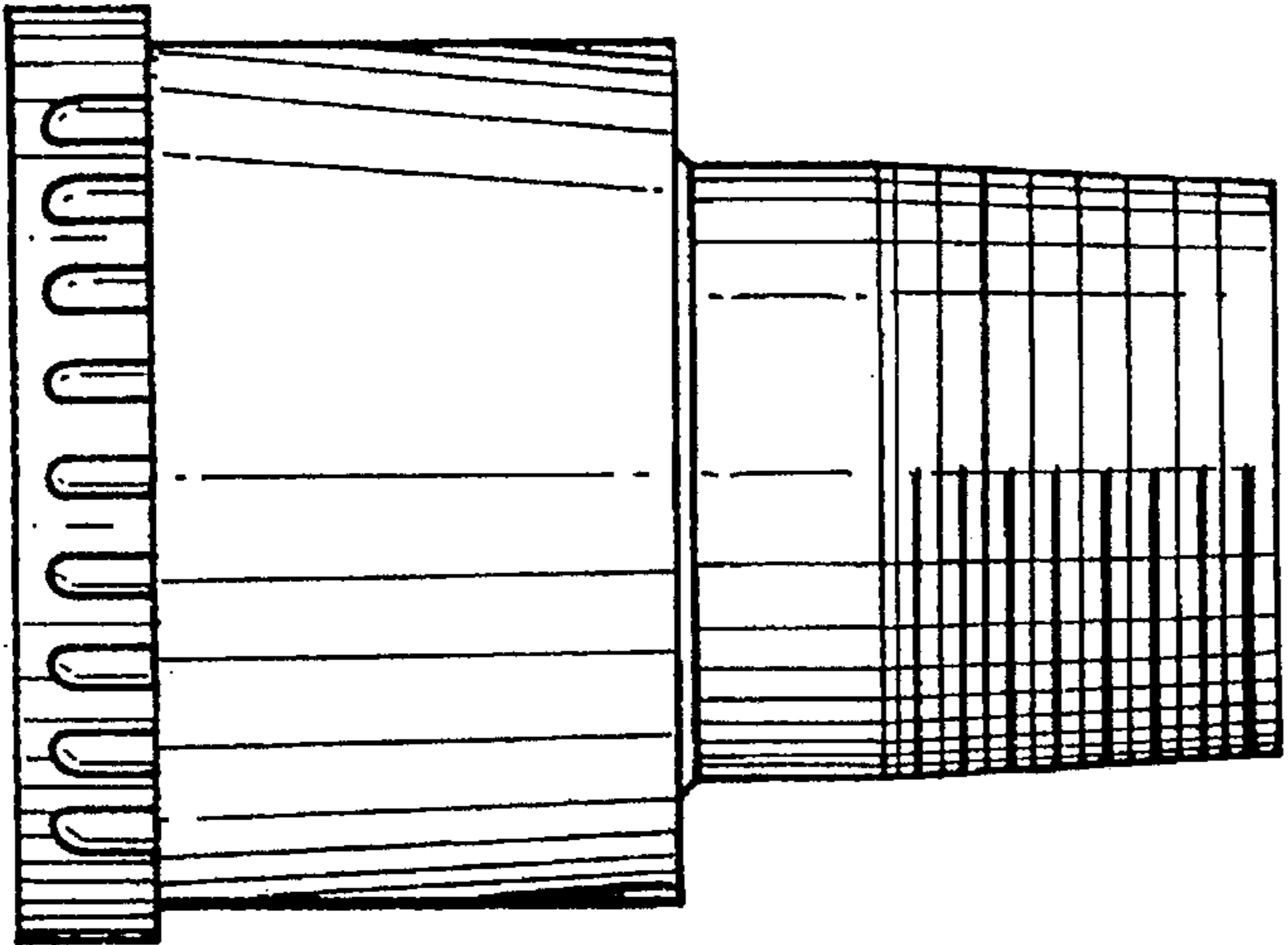
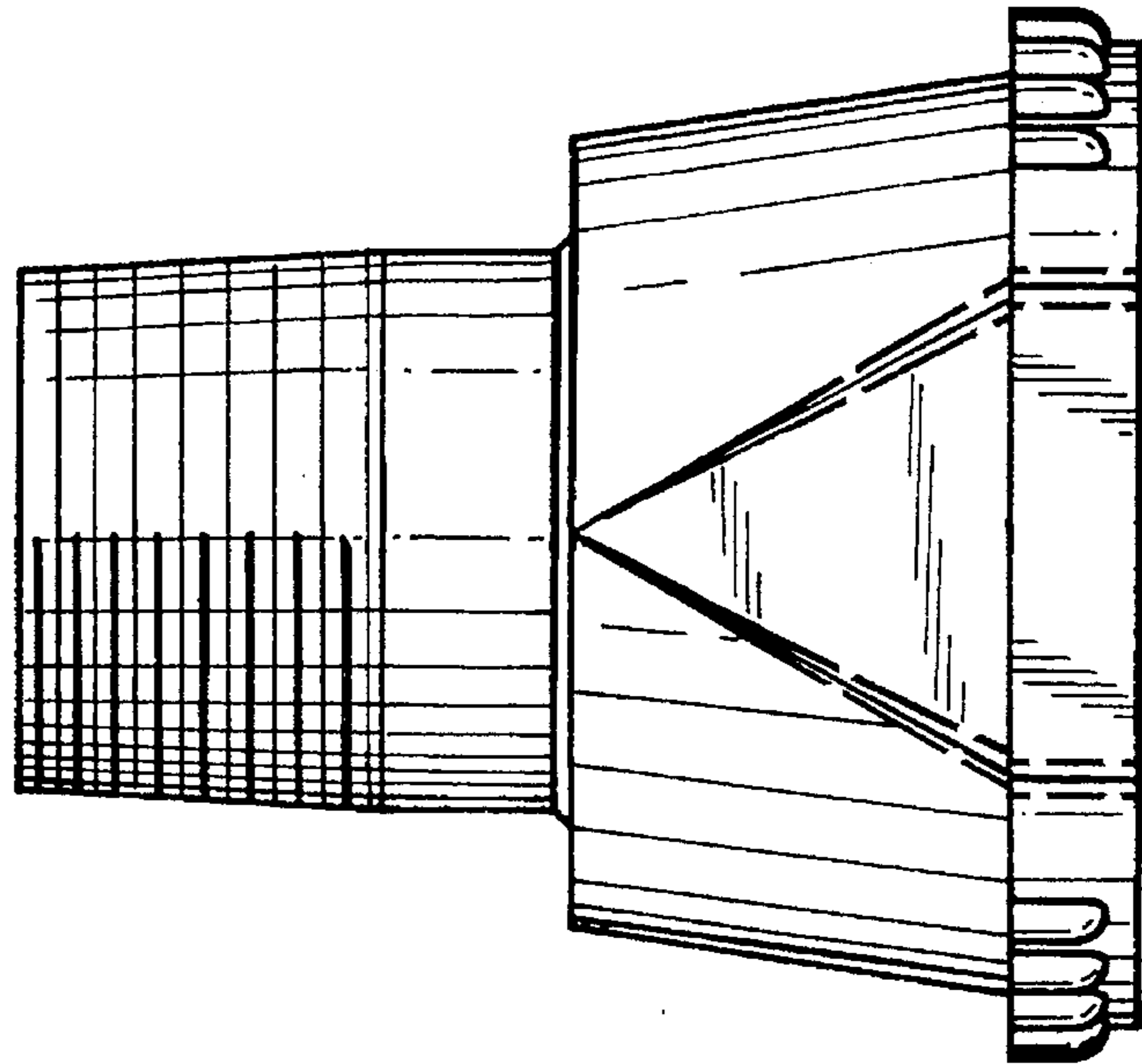
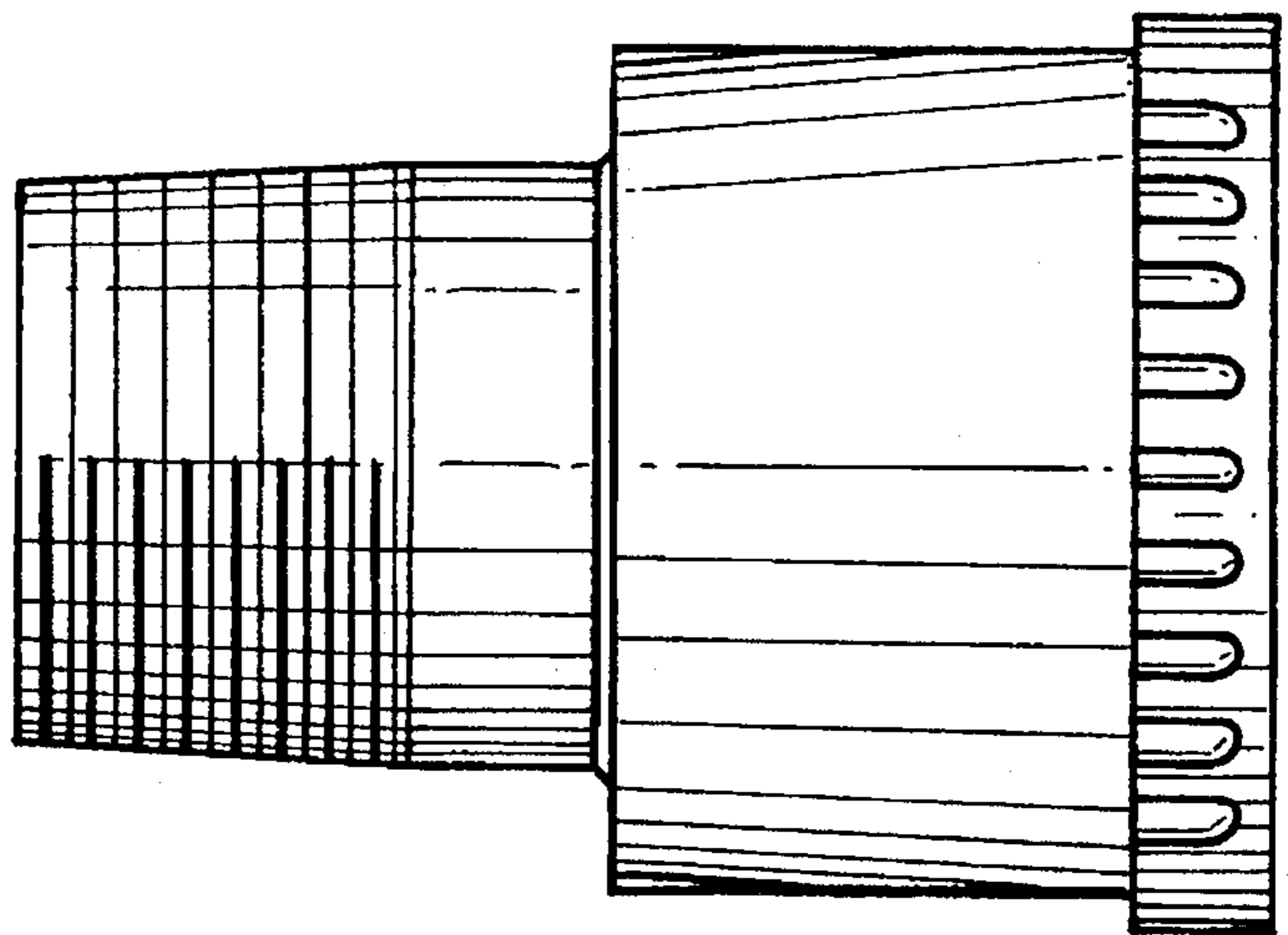


Fig. 4

Fig. 5



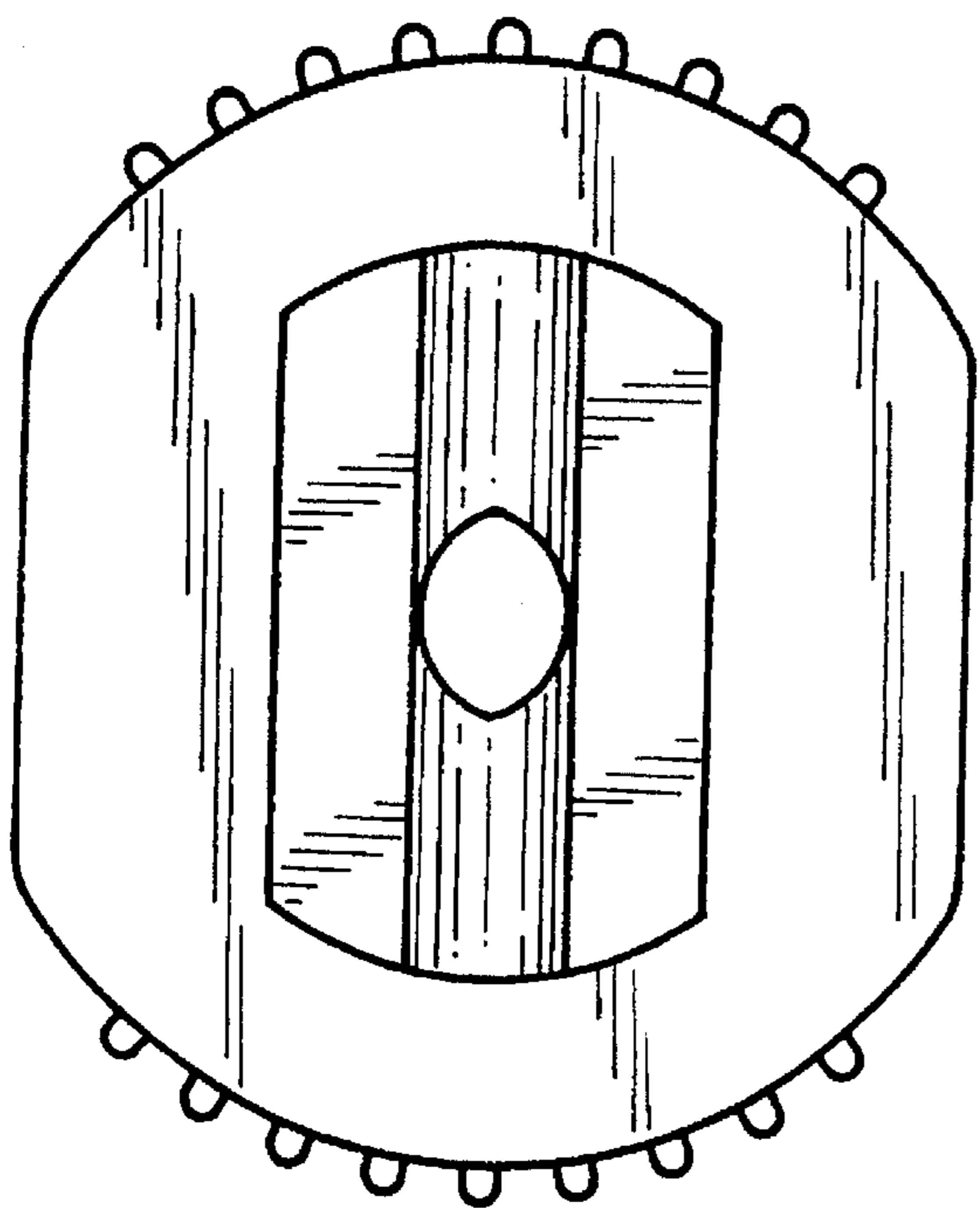


Fig. 6

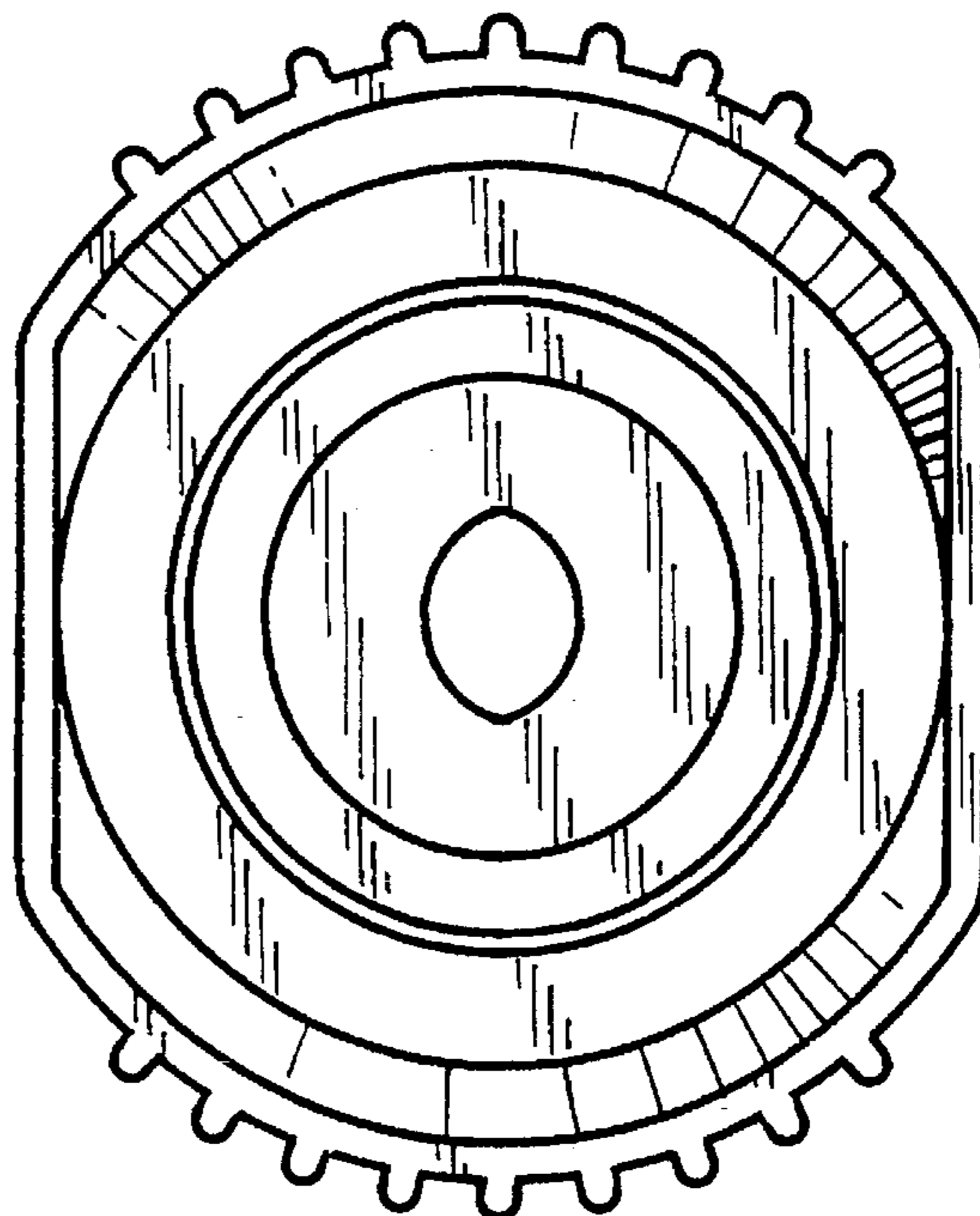


Fig. 7

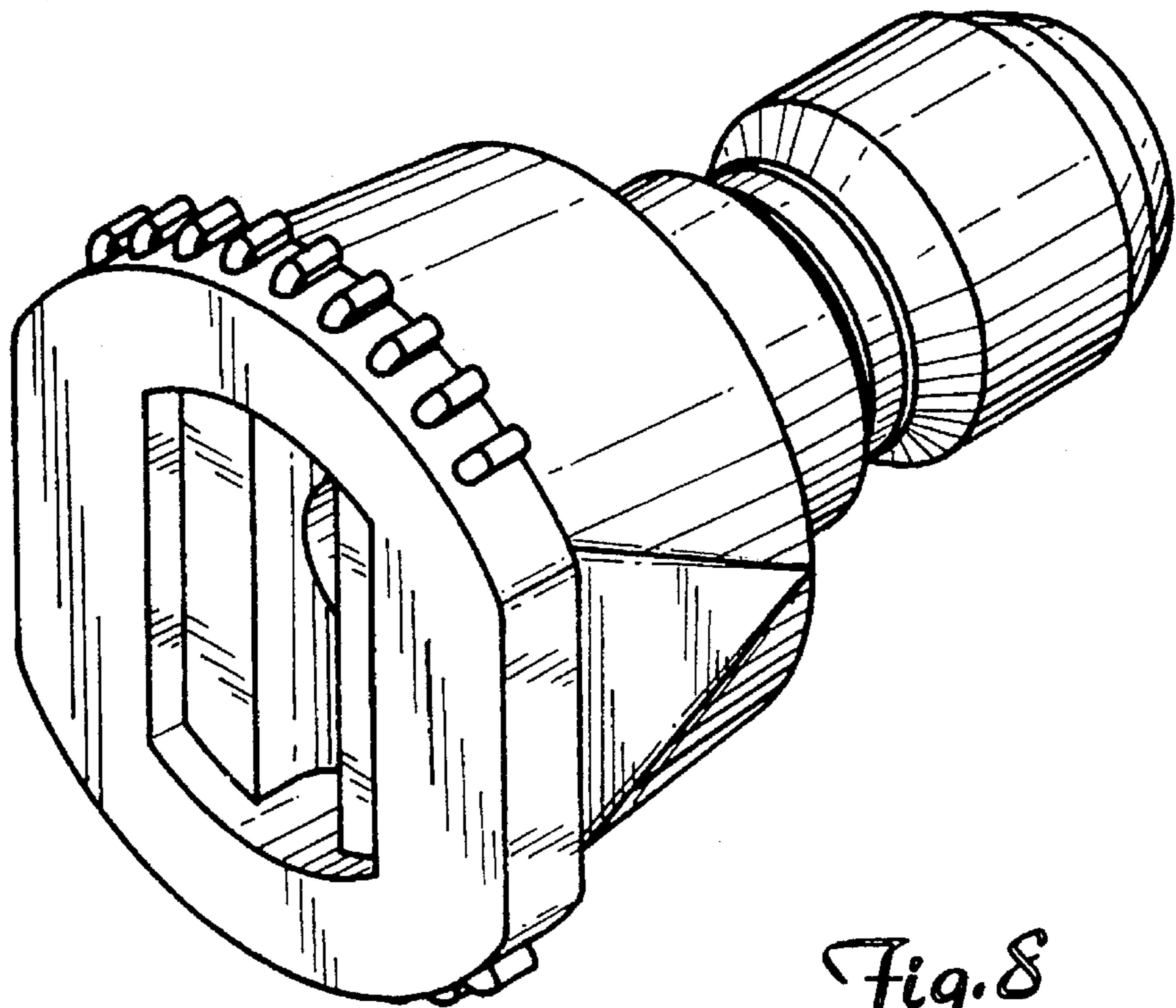


Fig. 8

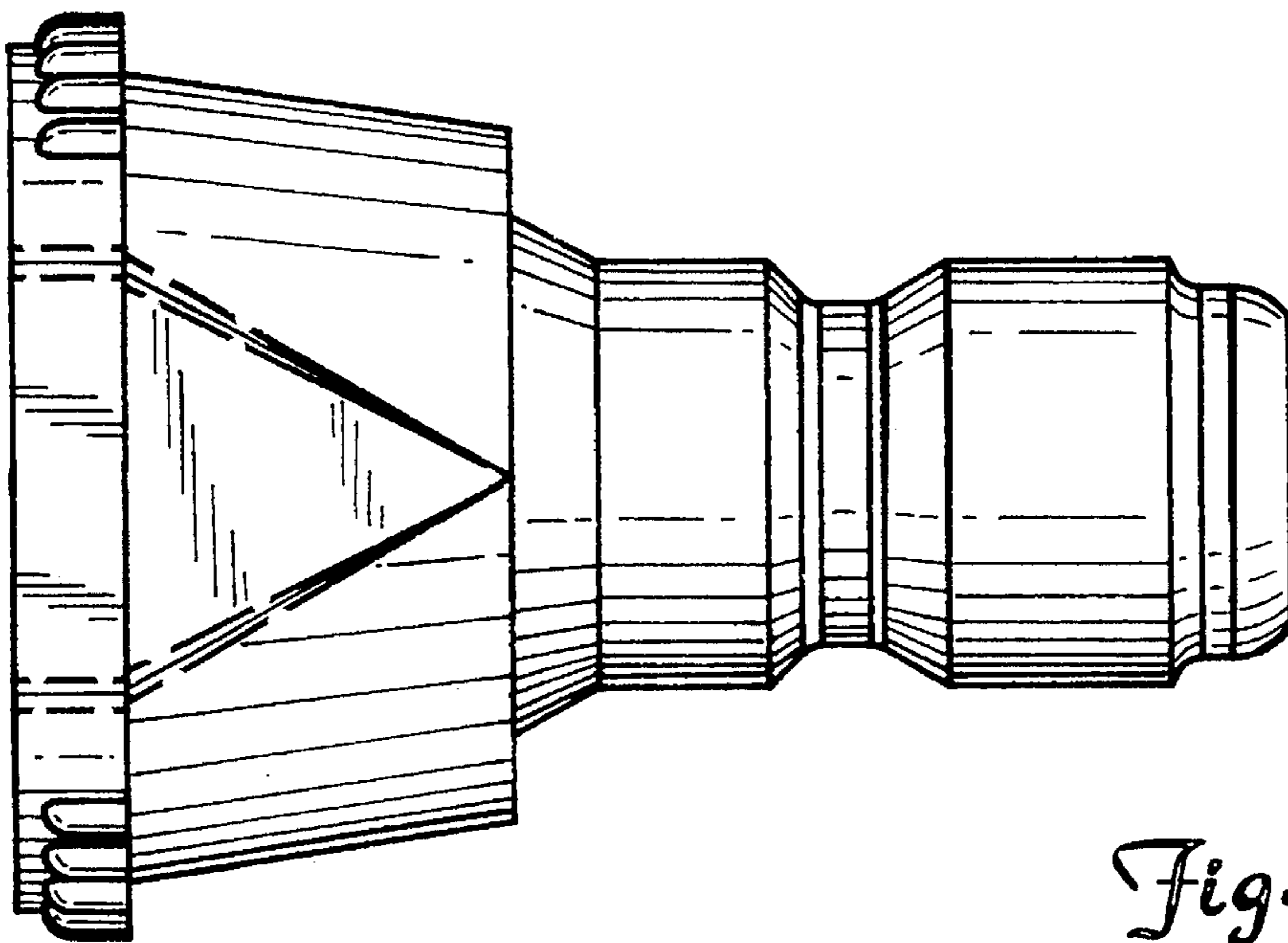


Fig. 9

Fig. 10

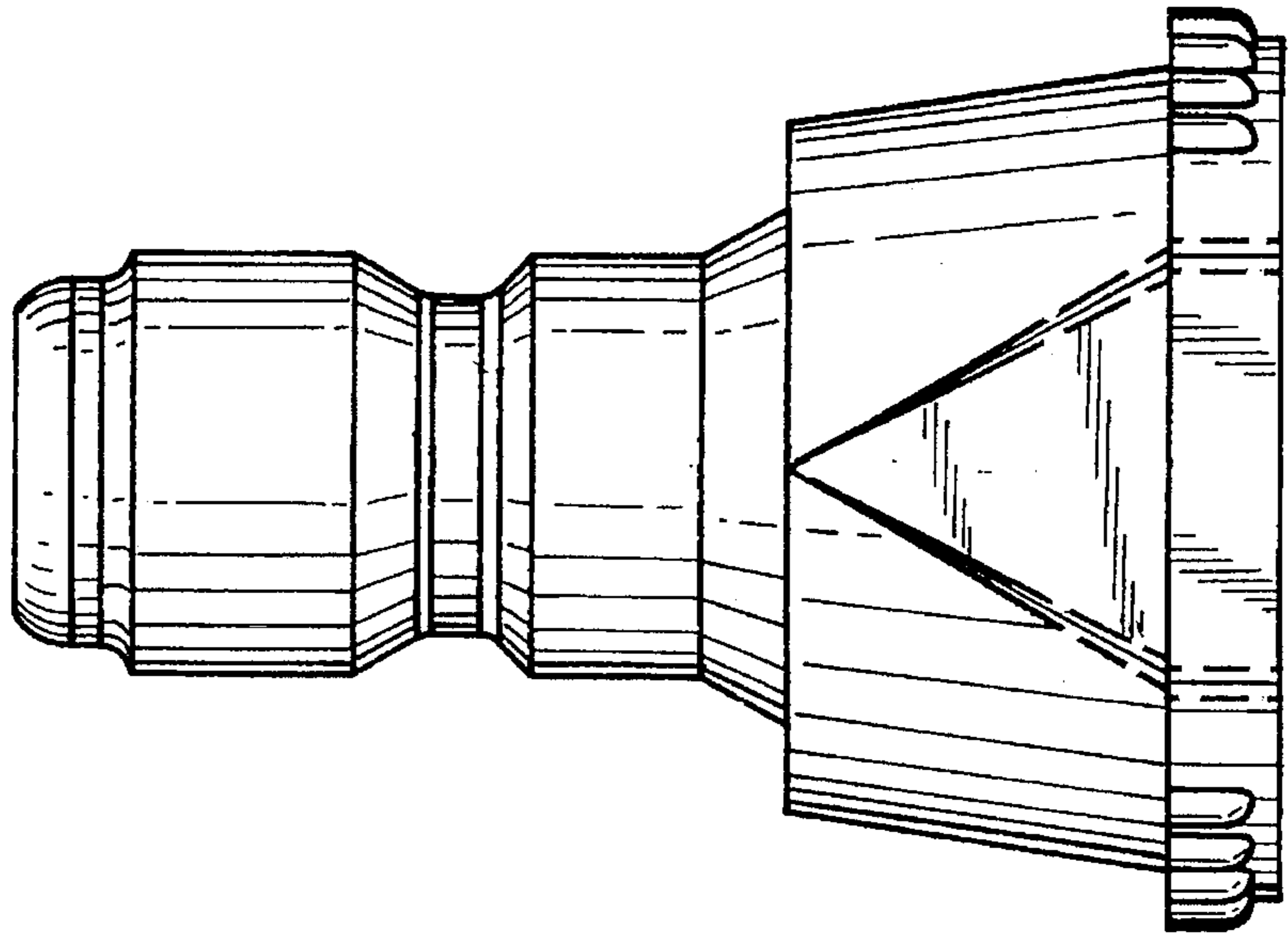


Fig. 11

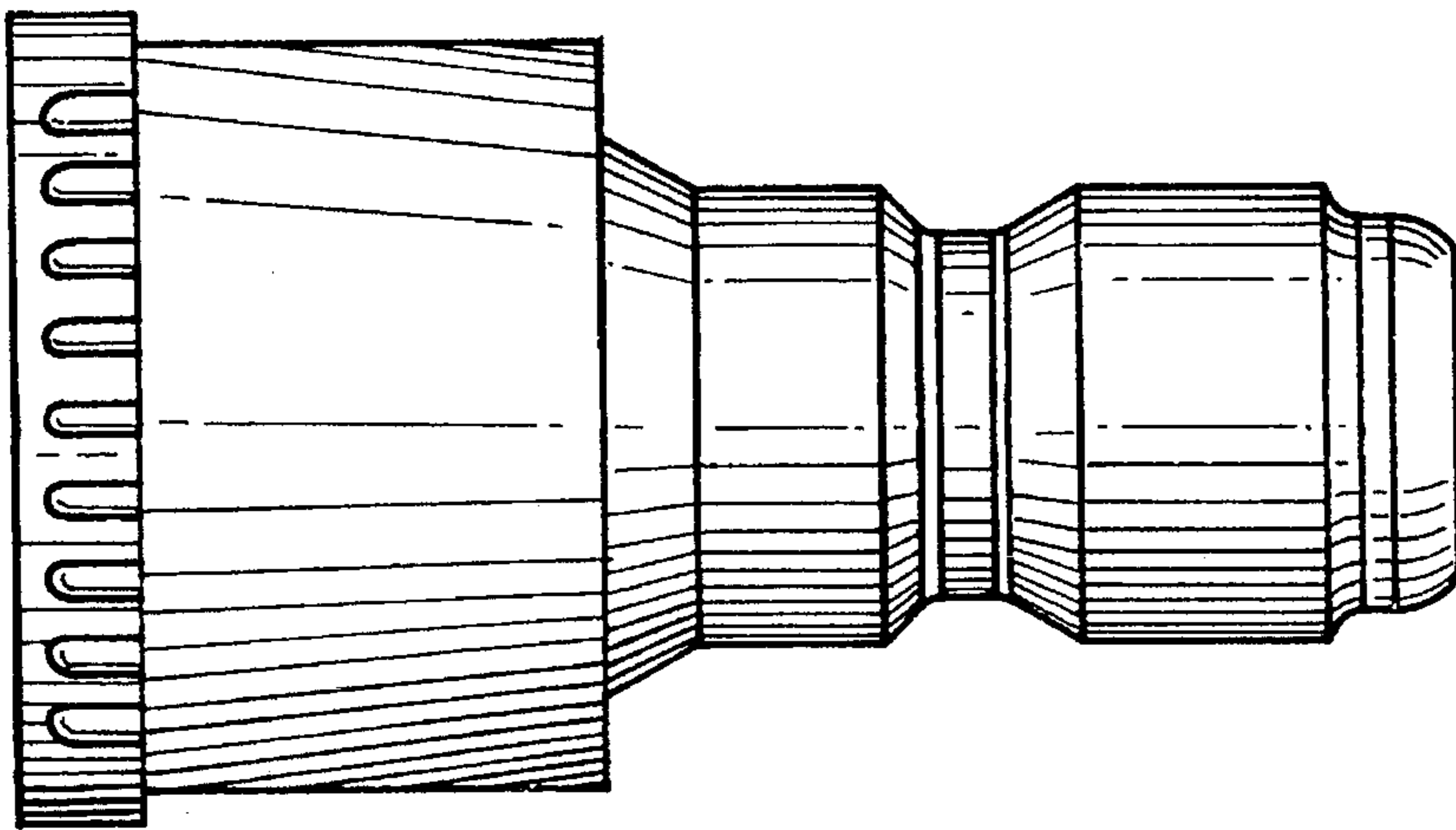
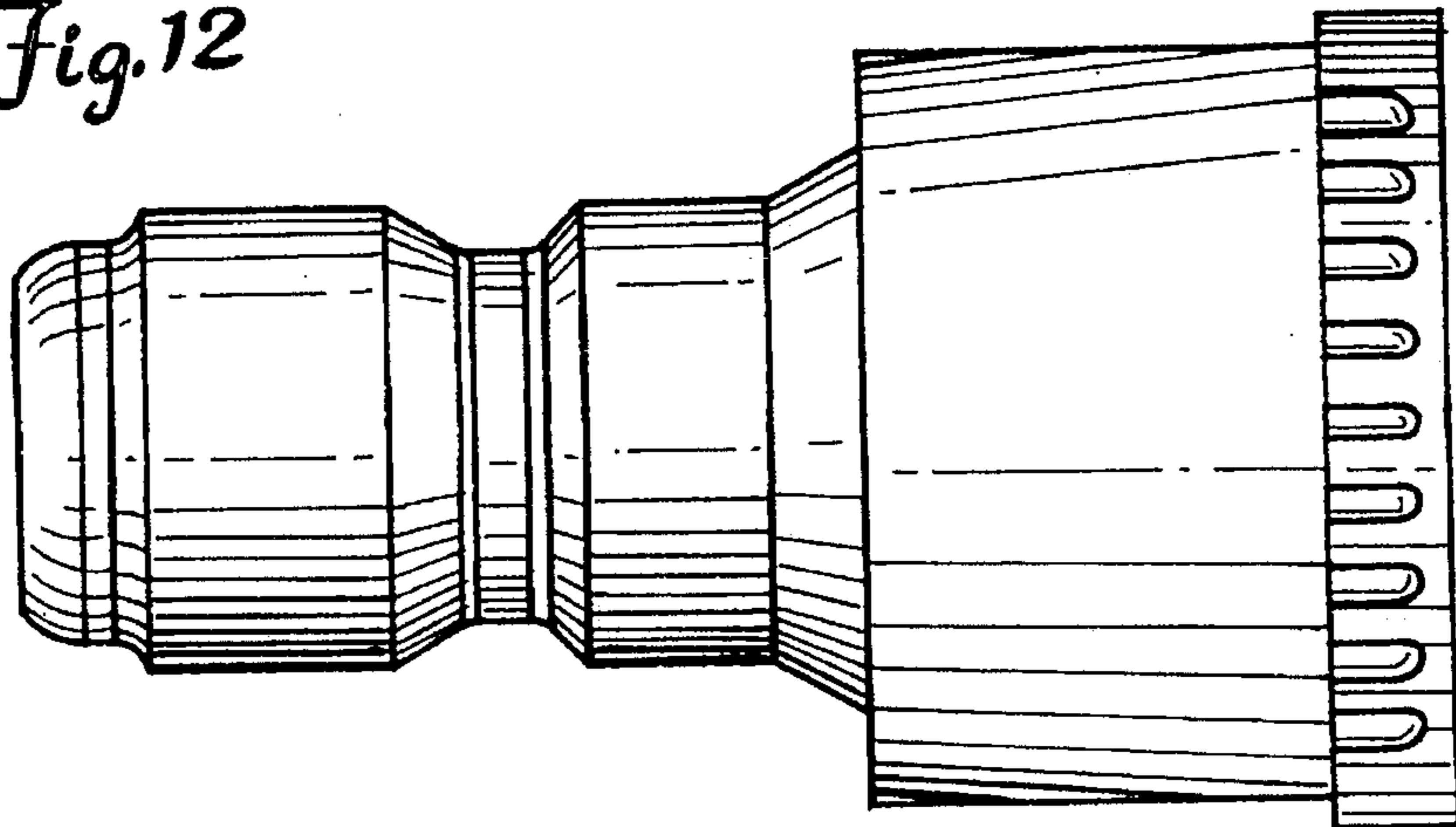


Fig. 12



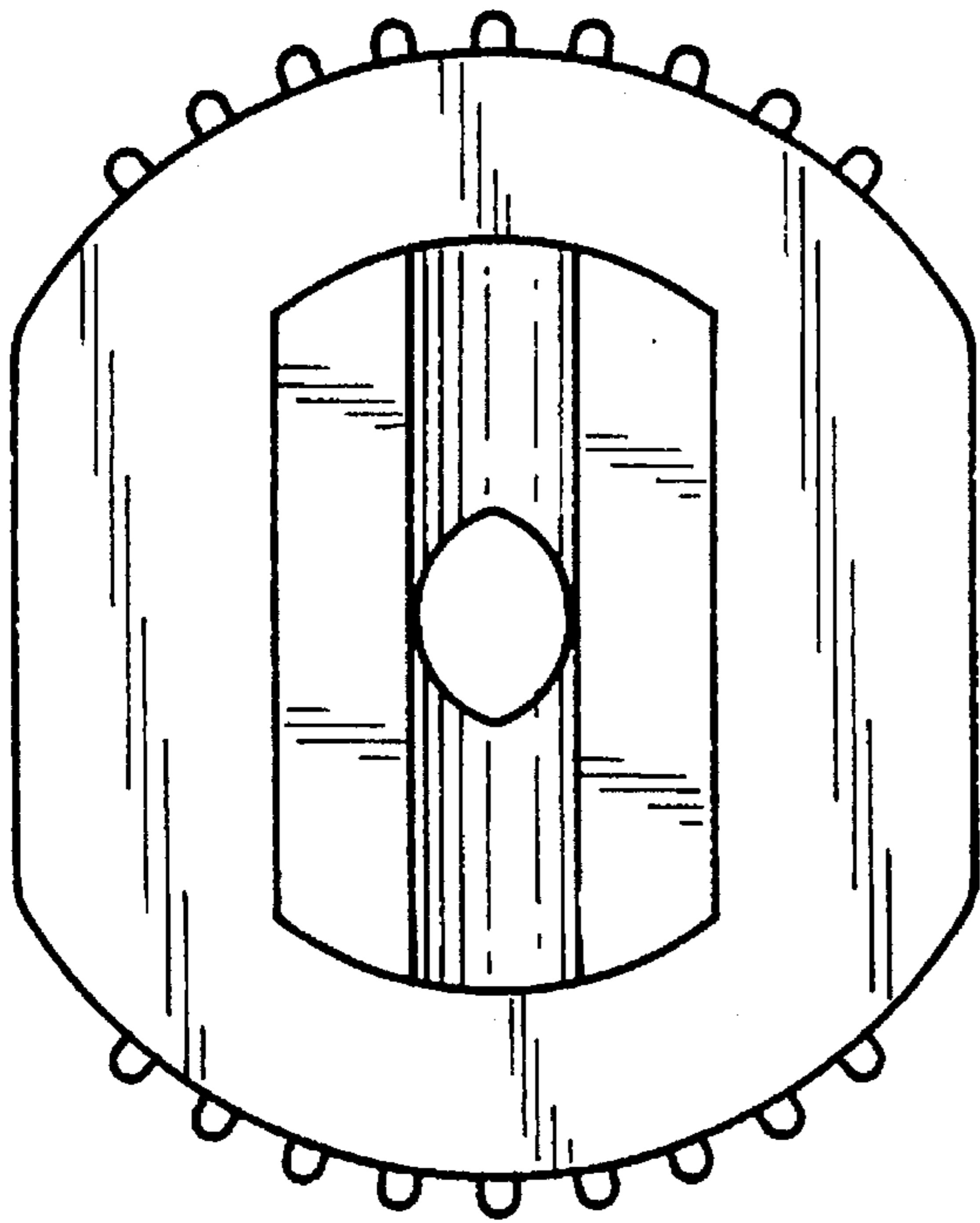


Fig. 13

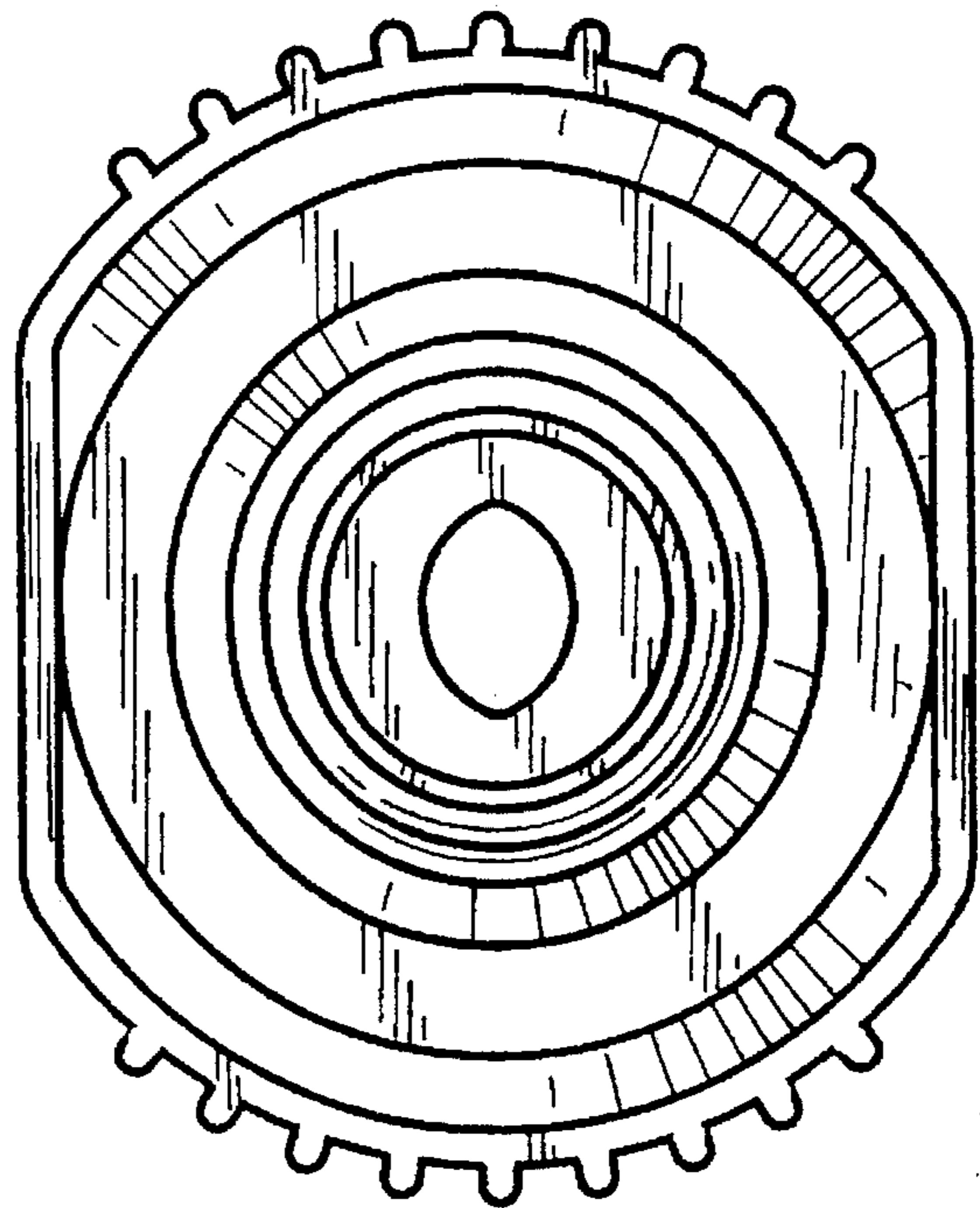


Fig. 14