



US00D375343S

# United States Patent [19]

Jones

[11] Patent Number: **Des. 375,343**

[45] Date of Patent: **\*\*Nov. 5, 1996**

[54] **FISHING LURE**

[76] Inventor: **Orvin R. Jones**, 13309 Dollarway Rd., Pine Bluff, Ark. 71602

[\*\*] Term: **14 Years**

[21] Appl. No.: **42,847**

[22] Filed: **Aug. 18, 1995**

[52] U.S. Cl. .... **D22/128**; D22/129

[58] Field of Search ..... D22/126-133;  
43/42.15, 42.47, 42.39, 42.14, 42.06, 42.35,  
42.45, 42.22, 42.28

[56] **References Cited**

**U.S. PATENT DOCUMENTS**

D. 156,756	1/1950	Mozuras .....	D22/129
D. 245,853	9/1977	DeWar .....	D22/132
1,692,935	11/1928	Heddon .....	43/42.15
2,134,330	10/1938	Fink .....	43/42.22
2,515,591	7/1950	Clink .....	43/42.47
2,845,744	8/1958	Schnitzer .....	43/42.15

2,948,982	8/1960	Galpin .....	43/42.15
3,382,600	5/1968	Walters .....	D22/128 X
3,716,937	2/1973	Santosuosso .....	43/42.47
4,959,920	10/1990	Walker .....	43/42.15 X

*Primary Examiner*—Doris V. Coles  
*Attorney, Agent, or Firm*—Stephen D. Carver; Trent C. Keisling

[57] **CLAIM**

The ornamental design for a fishing lure, as shown and described.

**DESCRIPTION**

FIG. 1 is a perspective view of a fishing lure, showing my new design;  
FIG. 2 is a left side elevational view, the right side being a mirror image thereof;  
FIG. 3 is a top plan view thereof;  
FIG. 4 is a bottom plan view thereof;  
FIG. 5 is a rear plan view thereof; and,  
FIG. 6 is a front plan view thereof.

**1 Claim, 2 Drawing Sheets**

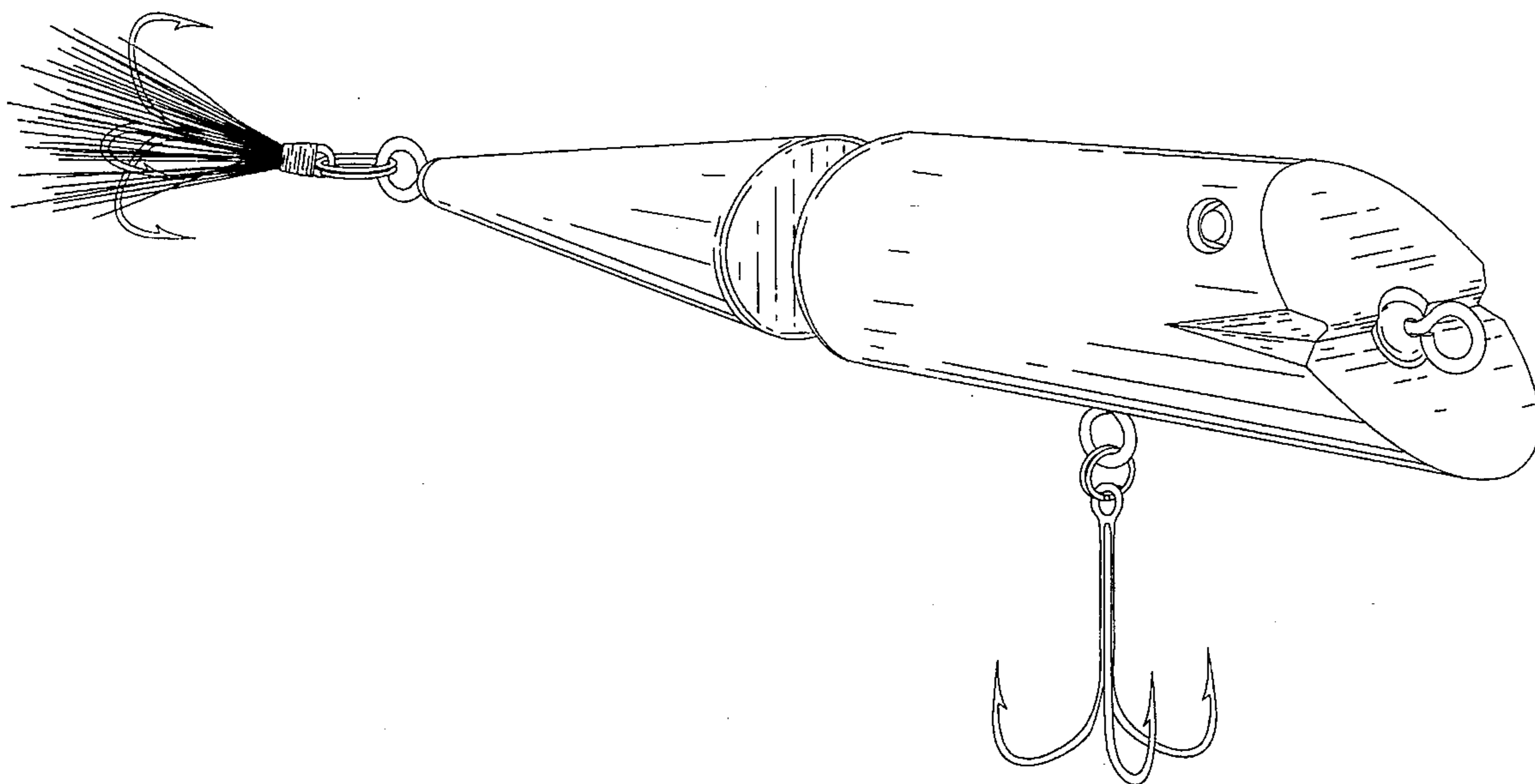


FIG. 1

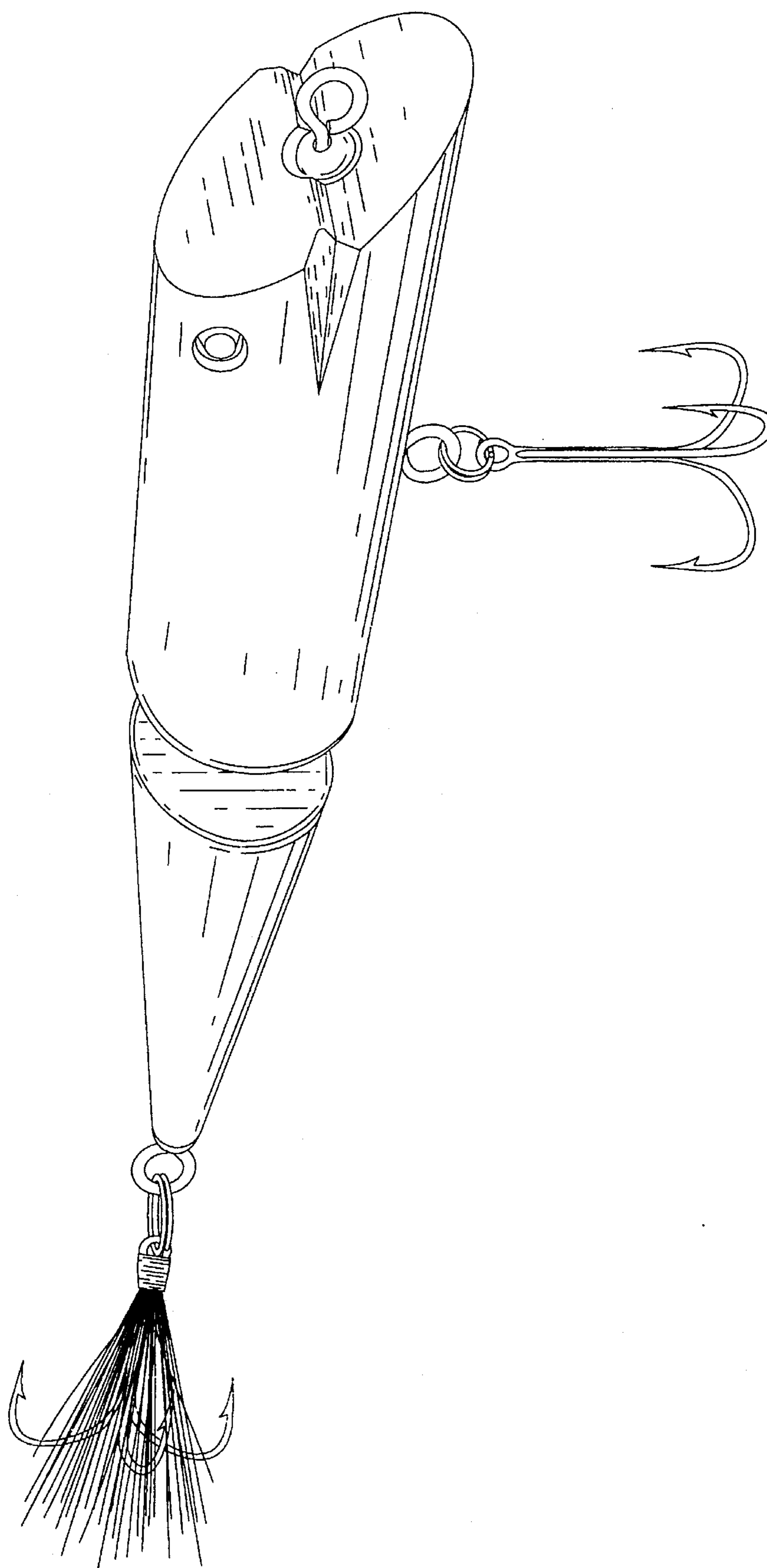


FIG. 2

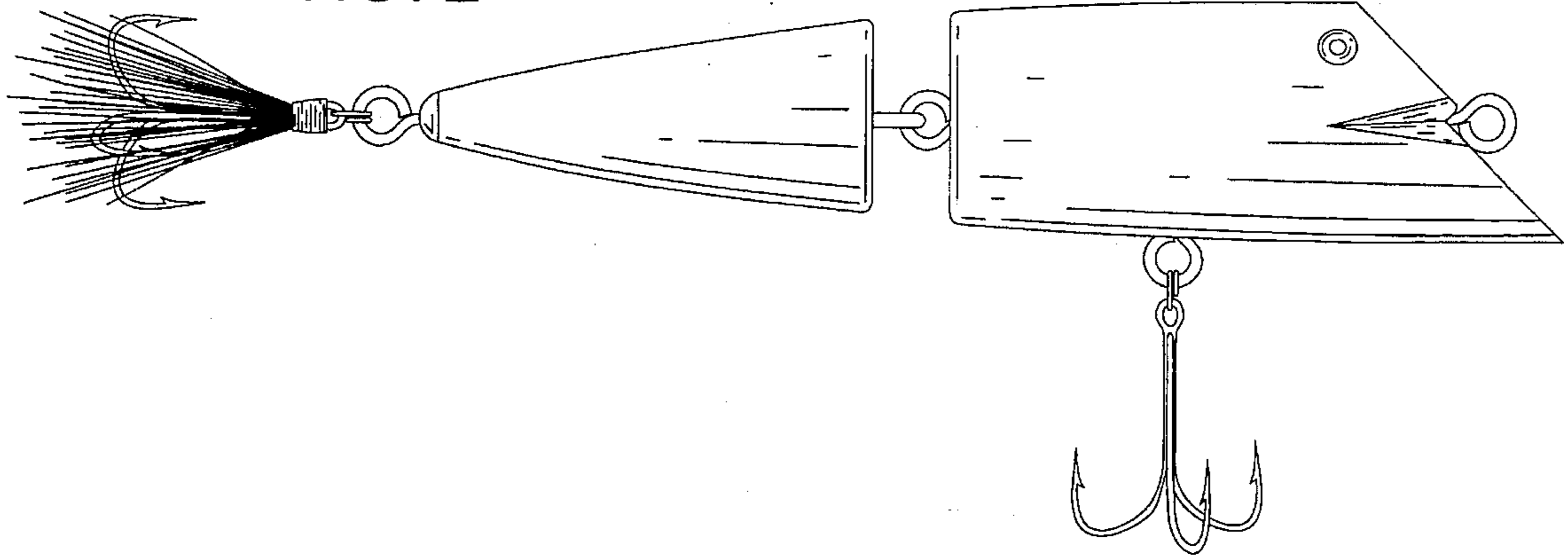


FIG. 3

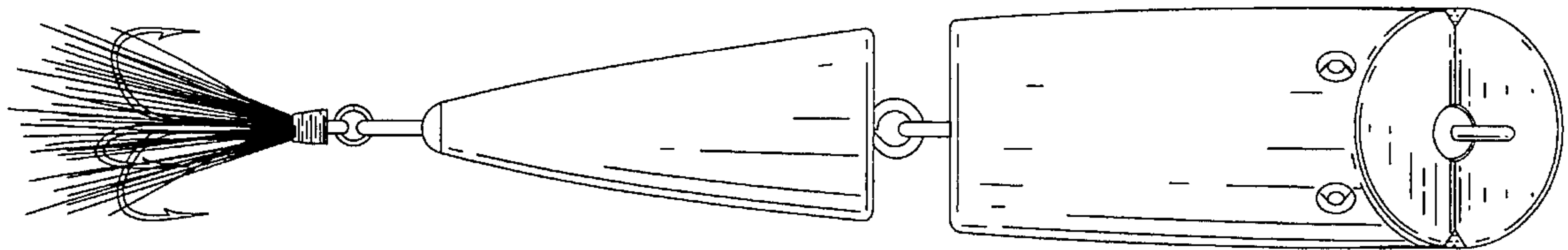


FIG. 4

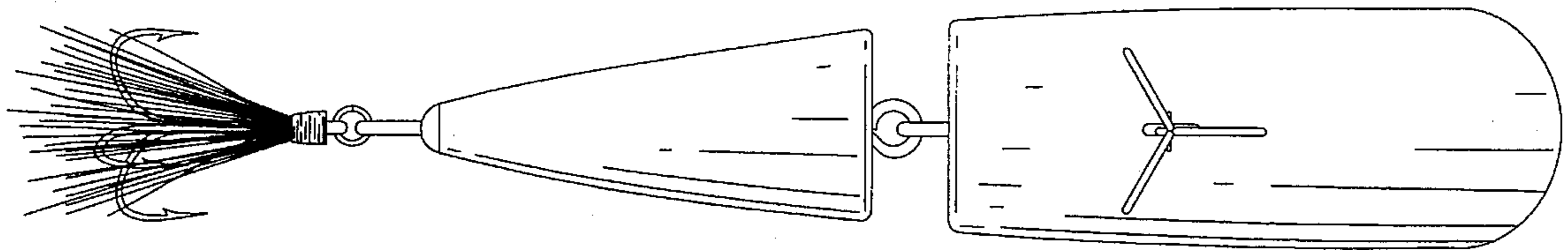


FIG. 5

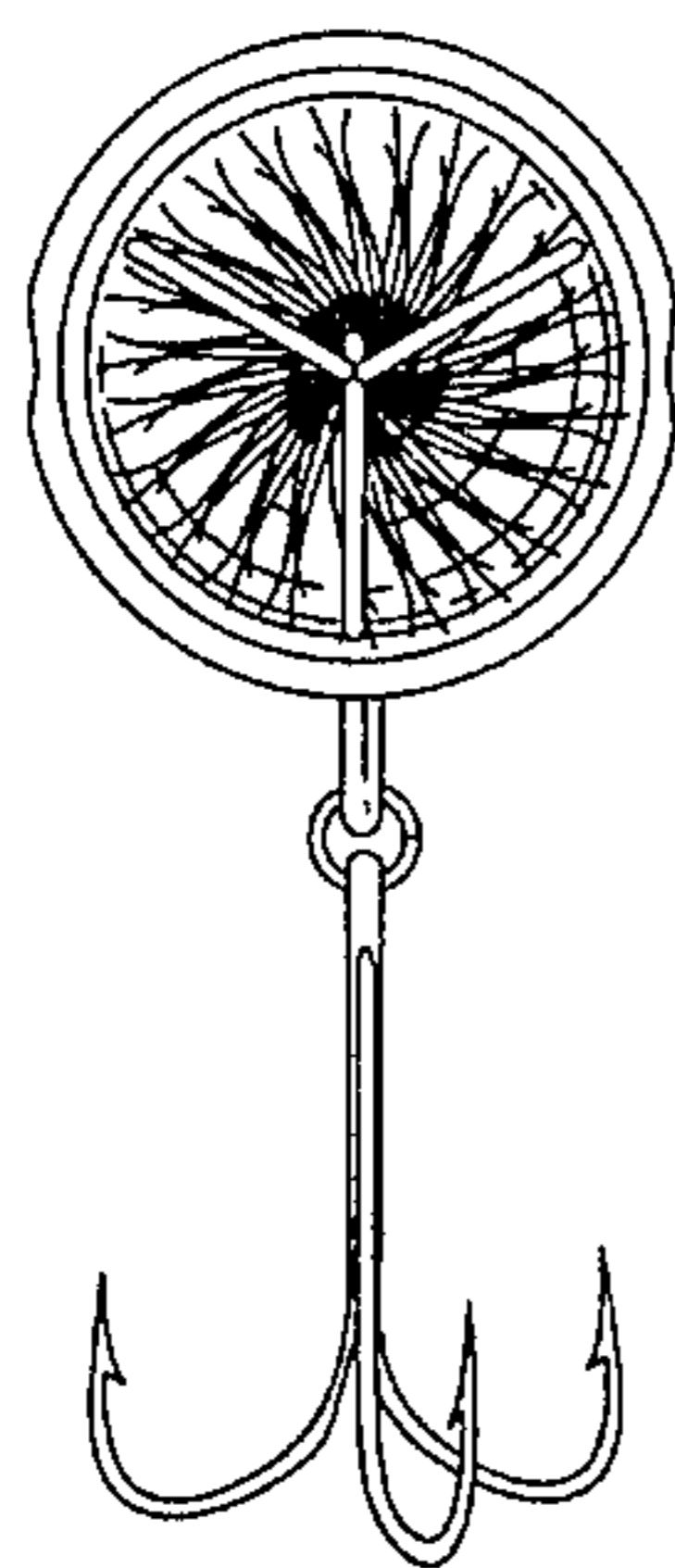


FIG. 6

