



US00D375342S

United States Patent [19] Collins

[11] Patent Number: Des. 375,342

[45] Date of Patent: **Nov. 5, 1996

[54] **TRIGGER LOCK**
[75] Inventor: **David A. Collins**, Hot Springs, Ark.
[73] Assignee: **DAC Technologies of America Inc**, Little Rock, Ark.
[**] Term: **14 Years**

4,499,681	2/1985	Bako et al.	42/1	Y
4,723,370	2/1988	Sheehan	42/70.07	
4,945,665	8/1990	Nelson	42/70.11	
4,995,180	2/1991	Tucker et al.	42/70.110	
5,033,218	7/1991	Nelson	42/70.11	
5,050,328	9/1991	Insko	42/70	
5,153,360	11/1992	Upton	42/70.11	
5,309,661	5/1994	Fullet et al.	42/70.07	
5,400,538	3/1995	Shannon	42/70.11	X

[21] Appl. No.: **38,676**
[22] Filed: **May 10, 1995**
[52] U.S. Cl. **D22/108; D22/199**
[58] Field of Search D22/108, 199; 42/70.11, 70.17, 89, 90, 96; 70/58, 63, 201, 202, 203

Primary Examiner—Louis S. Zarfaz
Assistant Examiner—Monica A. Hannon
Attorney, Agent, or Firm—Stephen D. Carver; Trent C. Keisling

[57] CLAIM

The ornamental design for a trigger lock, as shown and described.

[56] References Cited

U.S. PATENT DOCUMENTS

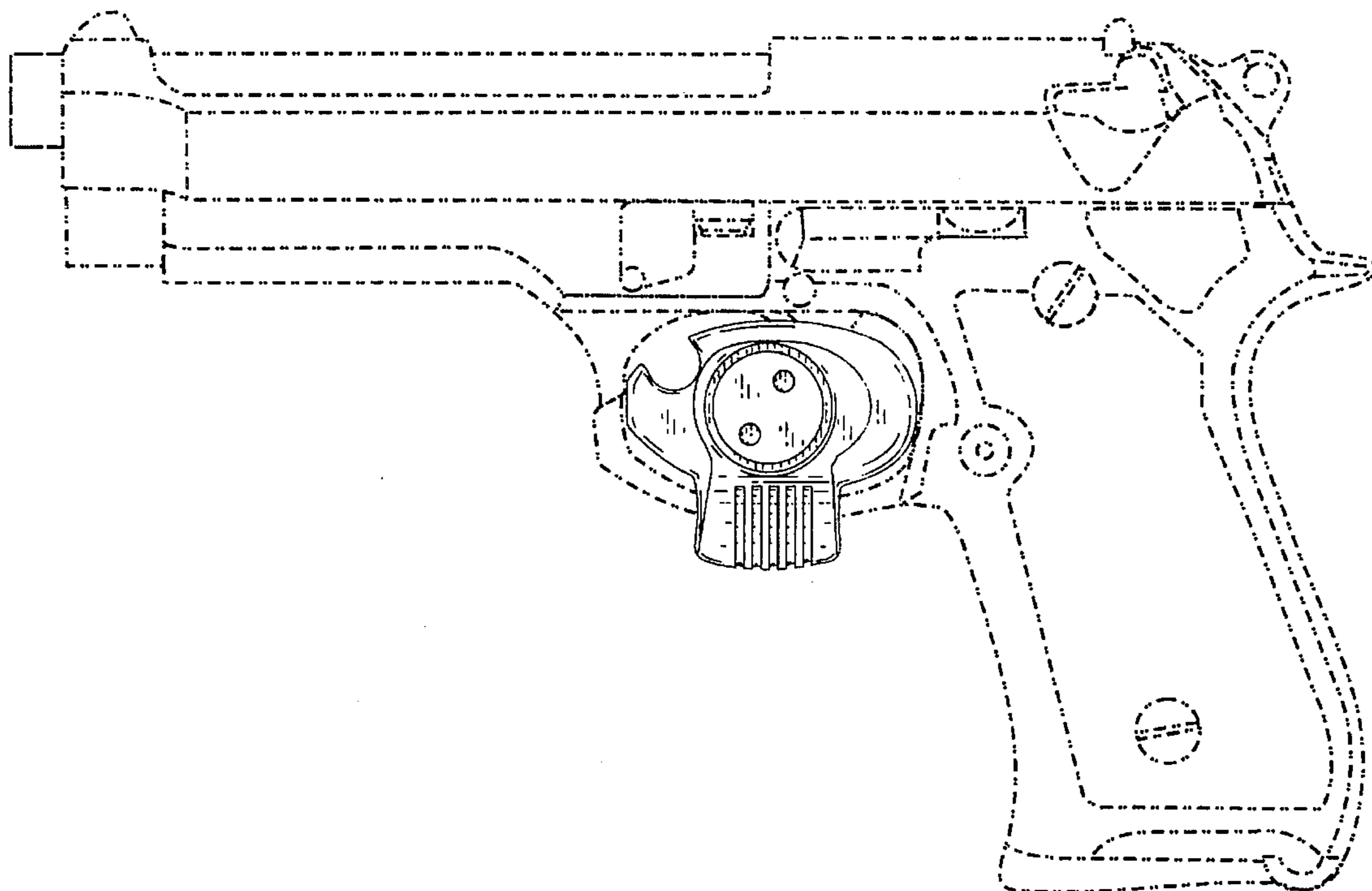
D. 196,842	11/1963	Schaefer	D30/1
1,686,482	5/1927	Windle	.
2,505,227	4/1950	Charters	42/70
2,664,658	1/1954	Bjorklund	42/70
2,742,726	4/1956	Feller	42/70
2,882,636	4/1959	Shinaver	42/70
2,893,152	7/1959	Peluso	42/70
3,139,694	7/1964	Schaefer	42/70
3,164,919	1/1965	Hall	42/70
3,392,471	7/1968	Foote	42/70.11 X
3,422,560	1/1969	Foote	42/70
3,616,559	11/1971	Sobolewski	42/70.11 X
3,624,945	12/1971	Foote	42/1 Y
3,713,239	1/1973	Sperling	42/1 Y
3,732,641	5/1973	Adajian	42/1 Y
3,956,842	5/1976	Ballenger	42/1 Y
4,299,045	11/1981	Cervantes	42/70.11 X
4,328,687	5/1982	Ritchie	70/34

DESCRIPTION

FIG. 1 is an environmental view illustrating the best mode of my trigger lock disposed upon a typical gun;
FIG. 2 is an enlarged, front elevational view of my trigger lock;
FIG. 3 is an enlarged, rear elevational view thereof;
FIG. 4 is a left side elevational view thereof taken generally from a position indicated by lines 44 in FIG. 2;
FIG. 5 is a right side elevational view thereof taken generally from a position indicated by lines 55 in FIG. 2;
FIG. 6 is a top plan view thereof; and,
FIG. 7 is a bottom plan view thereof.

The broken line showing of a firearm in FIG. 1 is for illustrative purposes only and forms no part of the claimed design.

1 Claim, 1 Drawing Sheet



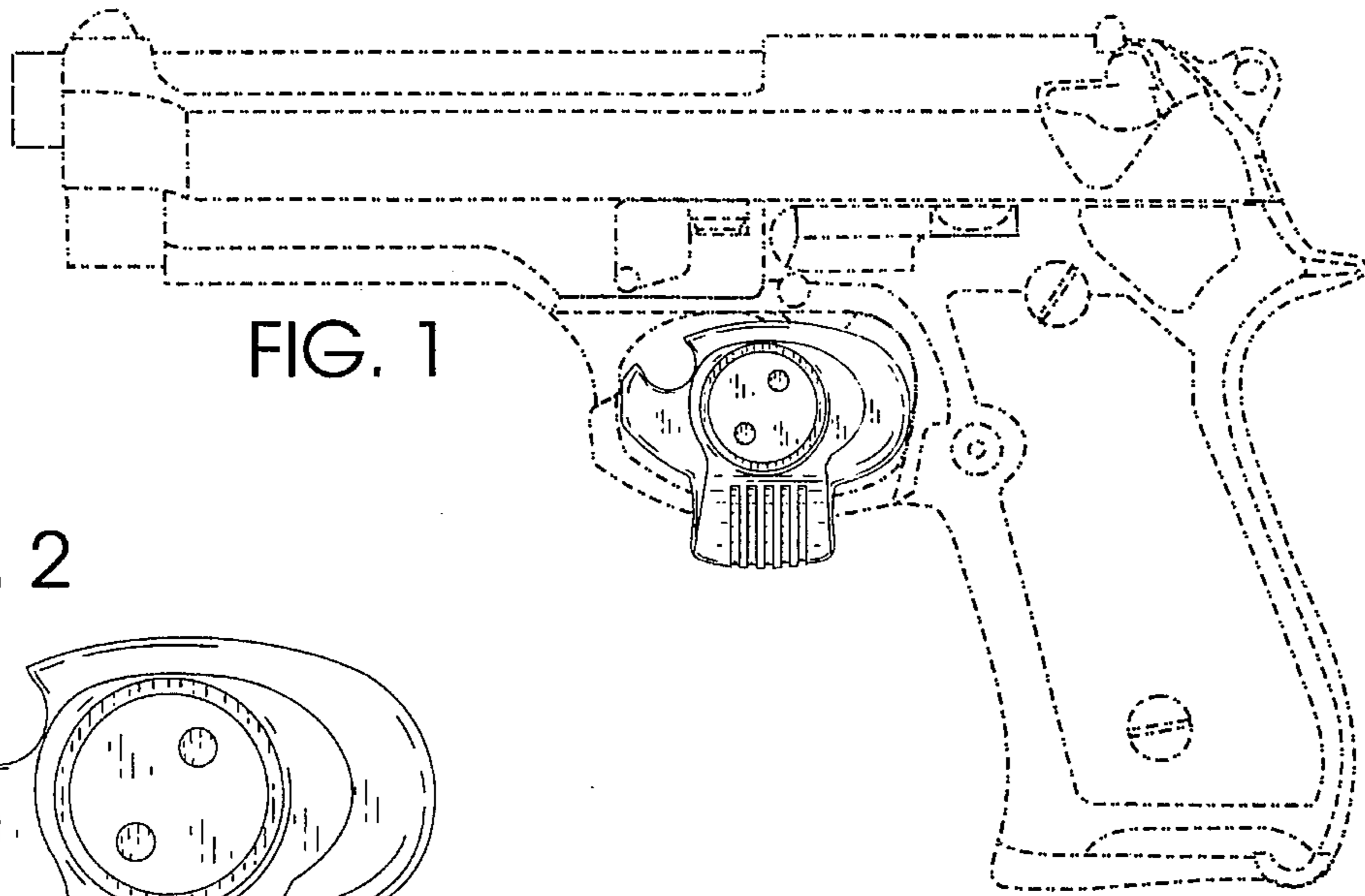


FIG. 2

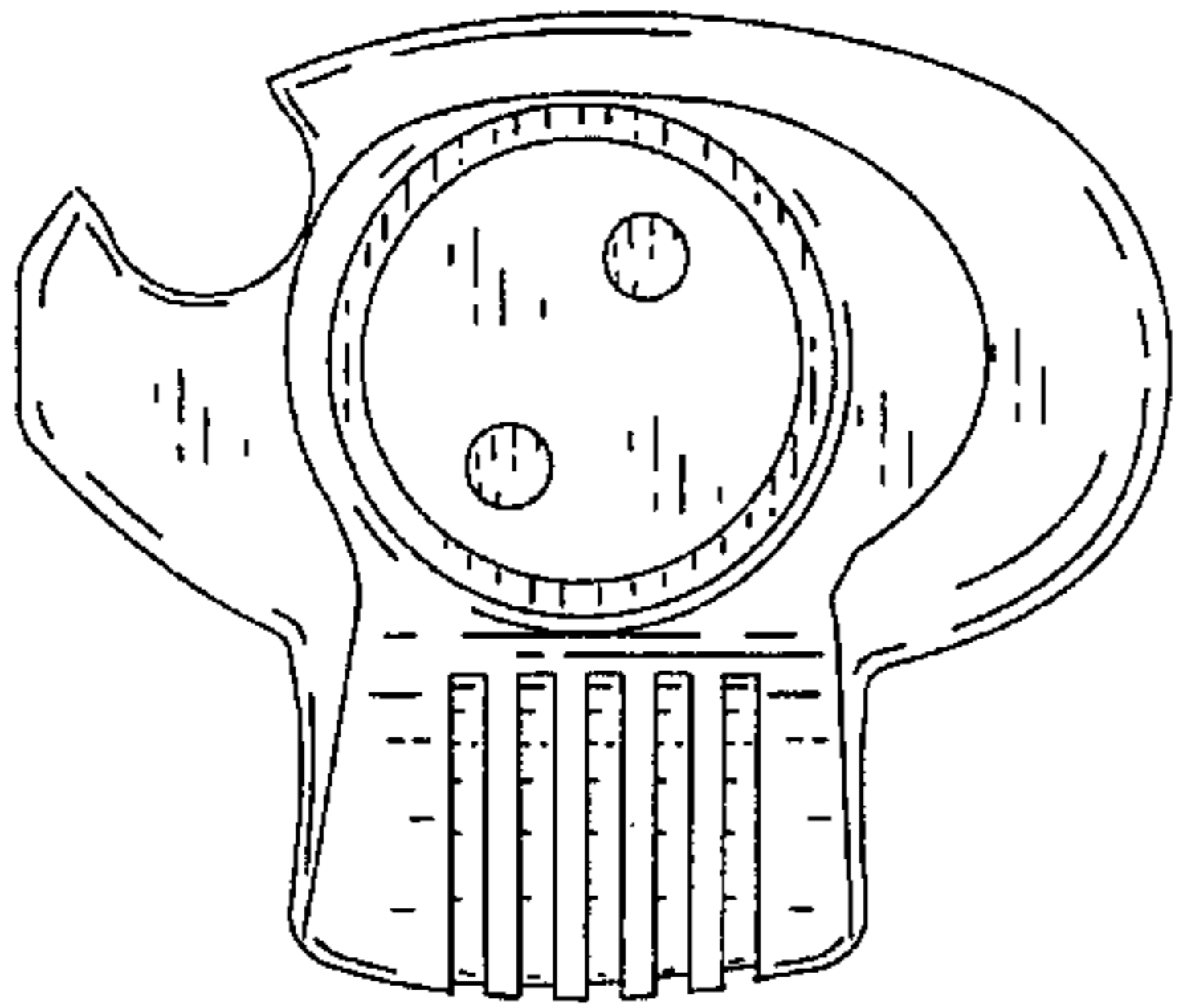


FIG. 3

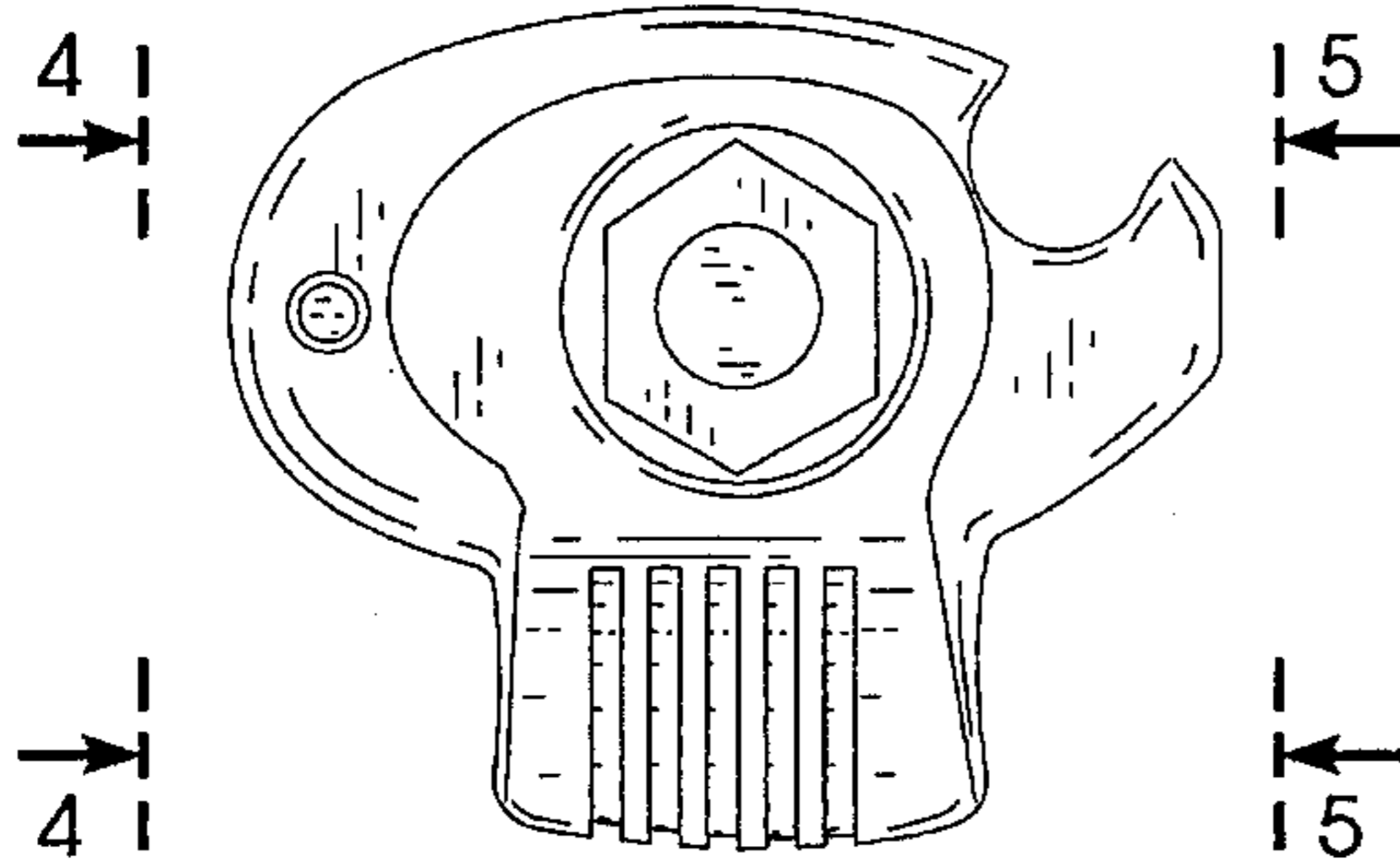


FIG. 4

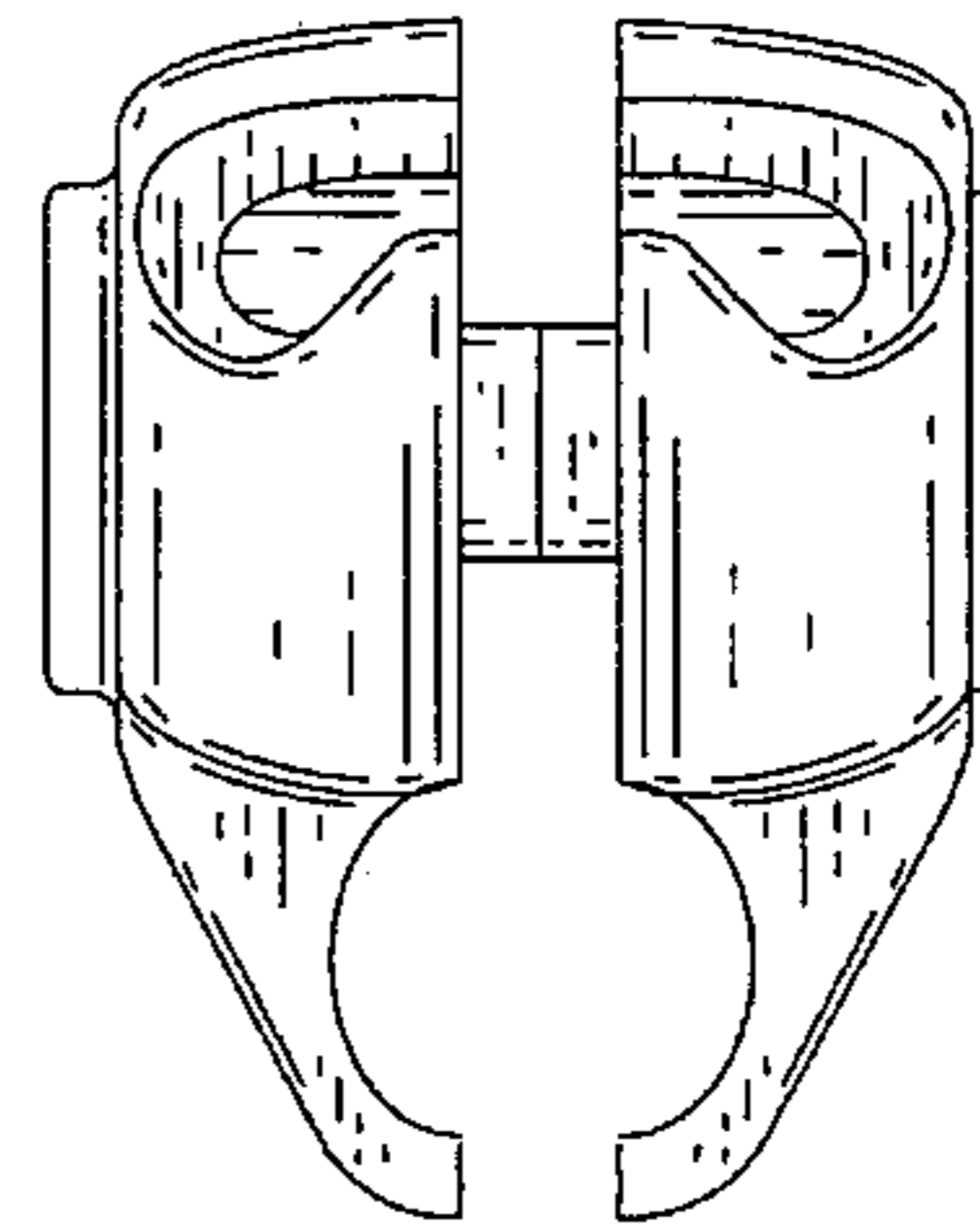


FIG. 5

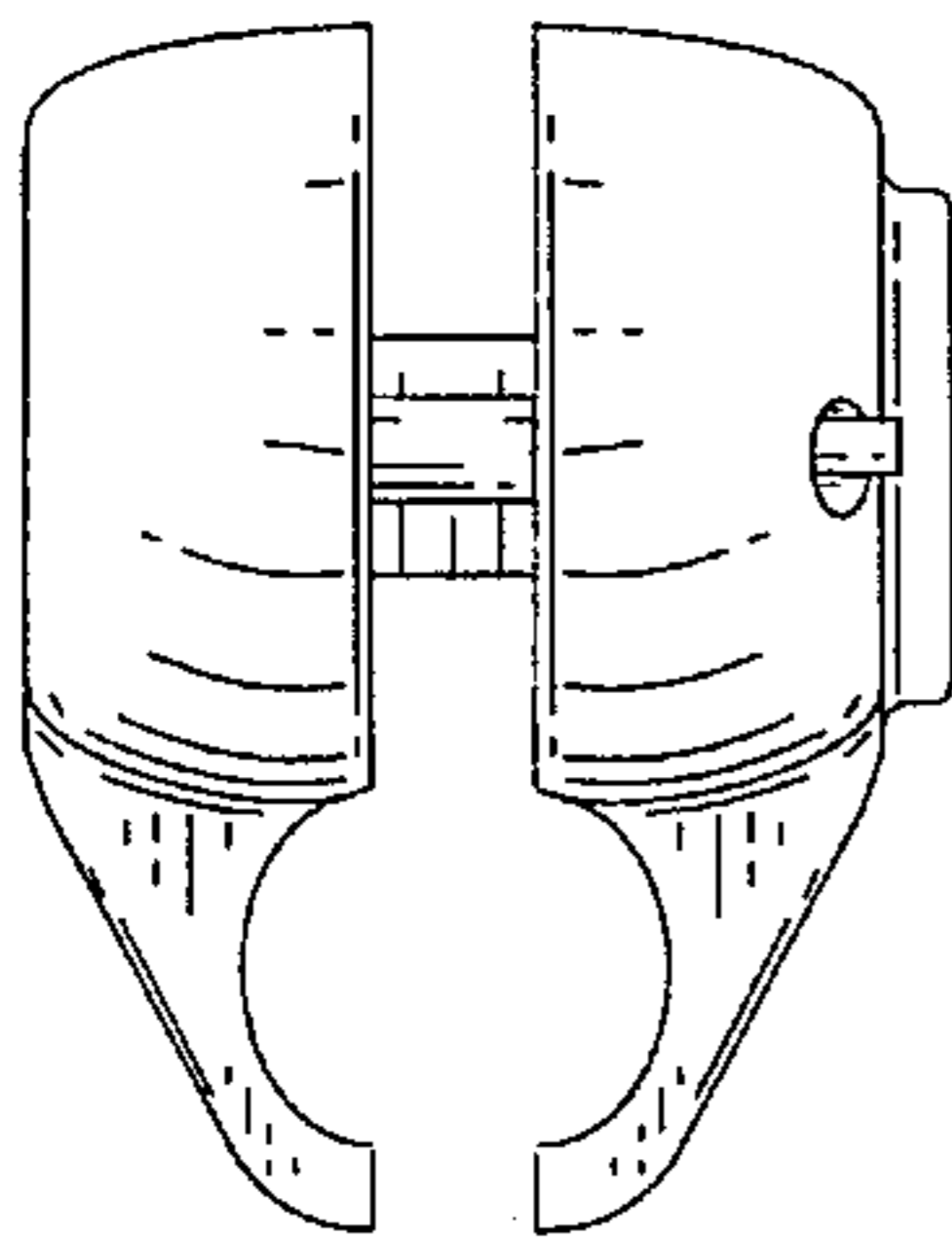


FIG. 6

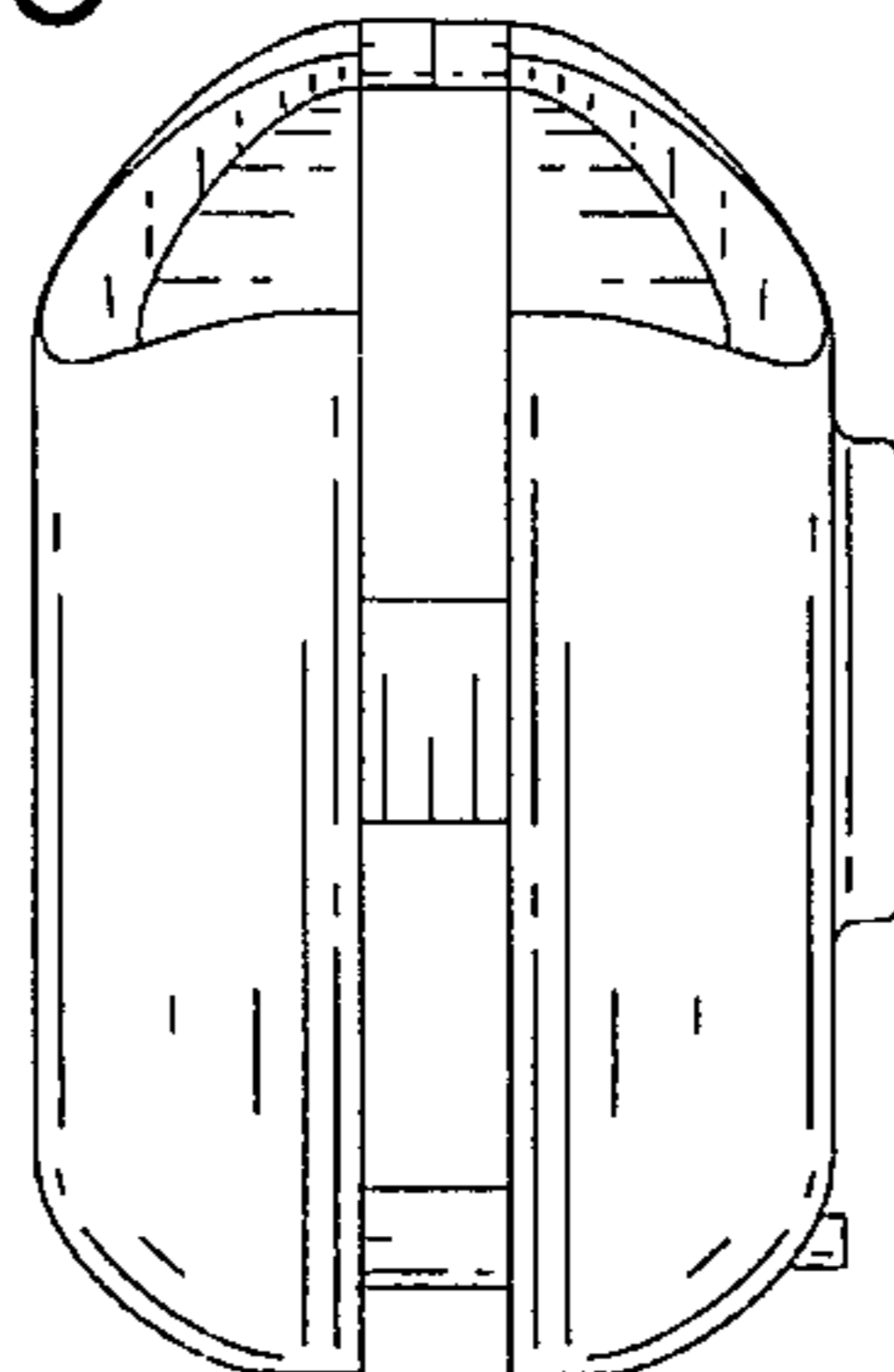


FIG. 7

