



US00D375337S

# United States Patent [19]

Adkins et al.

[11] Patent Number: **Des. 375,337**

[45] Date of Patent: **\*\*Nov. 5, 1996**

[54] **EXERCISE MACHINE**

[76] Inventors: **Joseph E. Adkins; Jeffrey A. Adkins,**  
both of P.O. Box 7758, Huntington, W.  
Va. 25776

[\*\*] Term: **14 Years**

[21] Appl. No.: **48,086**

[22] Filed: **Dec. 20, 1995**

[52] U.S. Cl. .... **D21/195**

[58] Field of Search ..... D21/195, 191,  
D21/192, 193, 194; 482/51, 57, 62, 72,  
95, 96, 137

5,356,357	10/1994	Wang et al.	482/96
5,366,428	11/1994	Liao	482/96
5,421,795	6/1995	Chen	482/96
5,478,298	12/1995	Chen	482/72

### FOREIGN PATENT DOCUMENTS

474691	6/1951	Canada
92/18204	10/1992	WIPO

*Primary Examiner*—Philip S. Hyder  
*Attorney, Agent, or Firm*—Richard C. Litman

### [57] CLAIM

The ornamental design for an exercise machine, as shown and described.

### DESCRIPTION

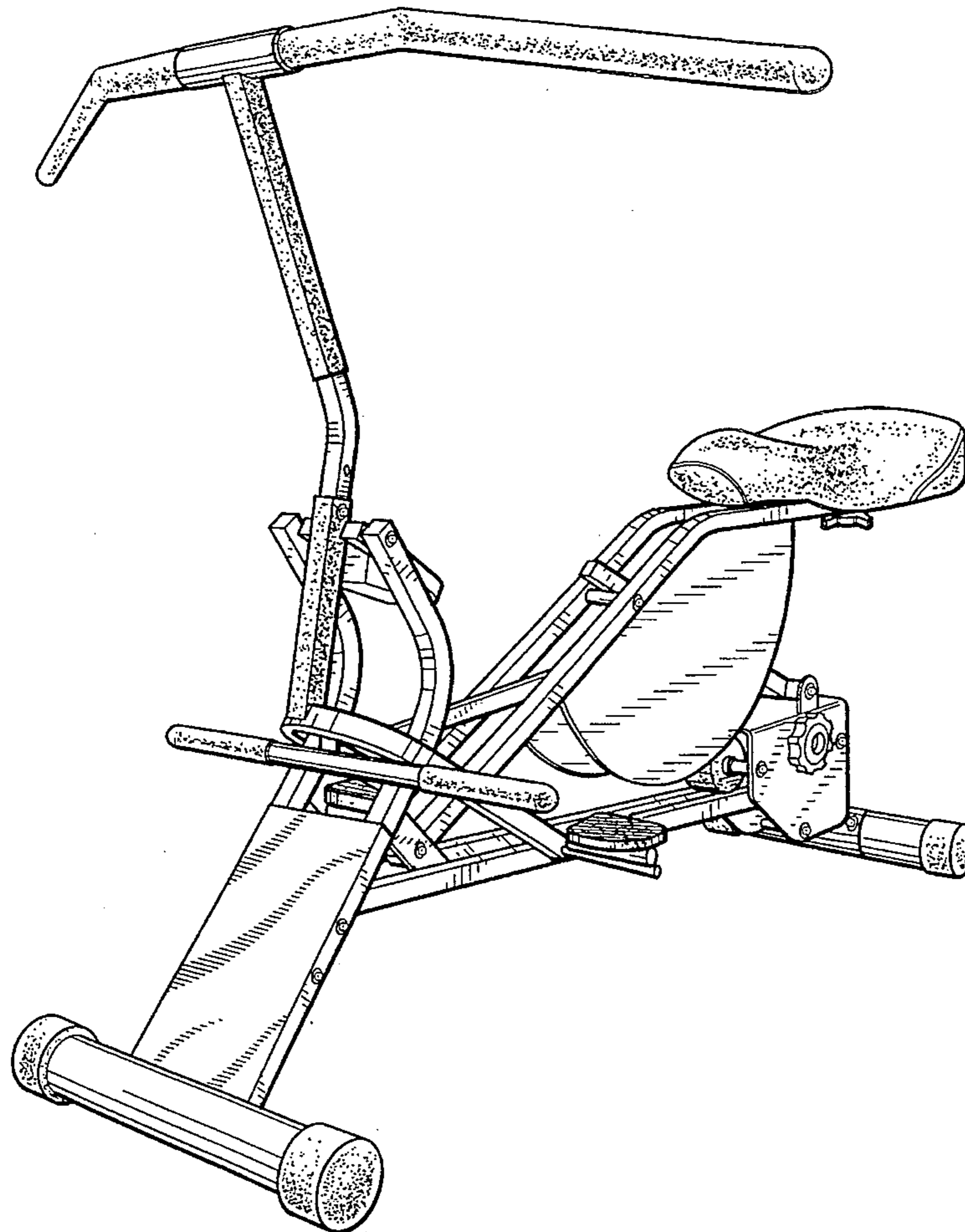
FIG. 1 is a perspective view of an exercise machine showing my new design;  
FIG. 2 is a left side elevational view thereof;  
FIG. 3 is a top view thereof;  
FIG. 4 is a rear elevational view thereof;  
FIG. 5 is a front elevational view thereof;  
FIG. 6 is a bottom view thereof; and,  
FIG. 7 is a right side elevational view thereof.

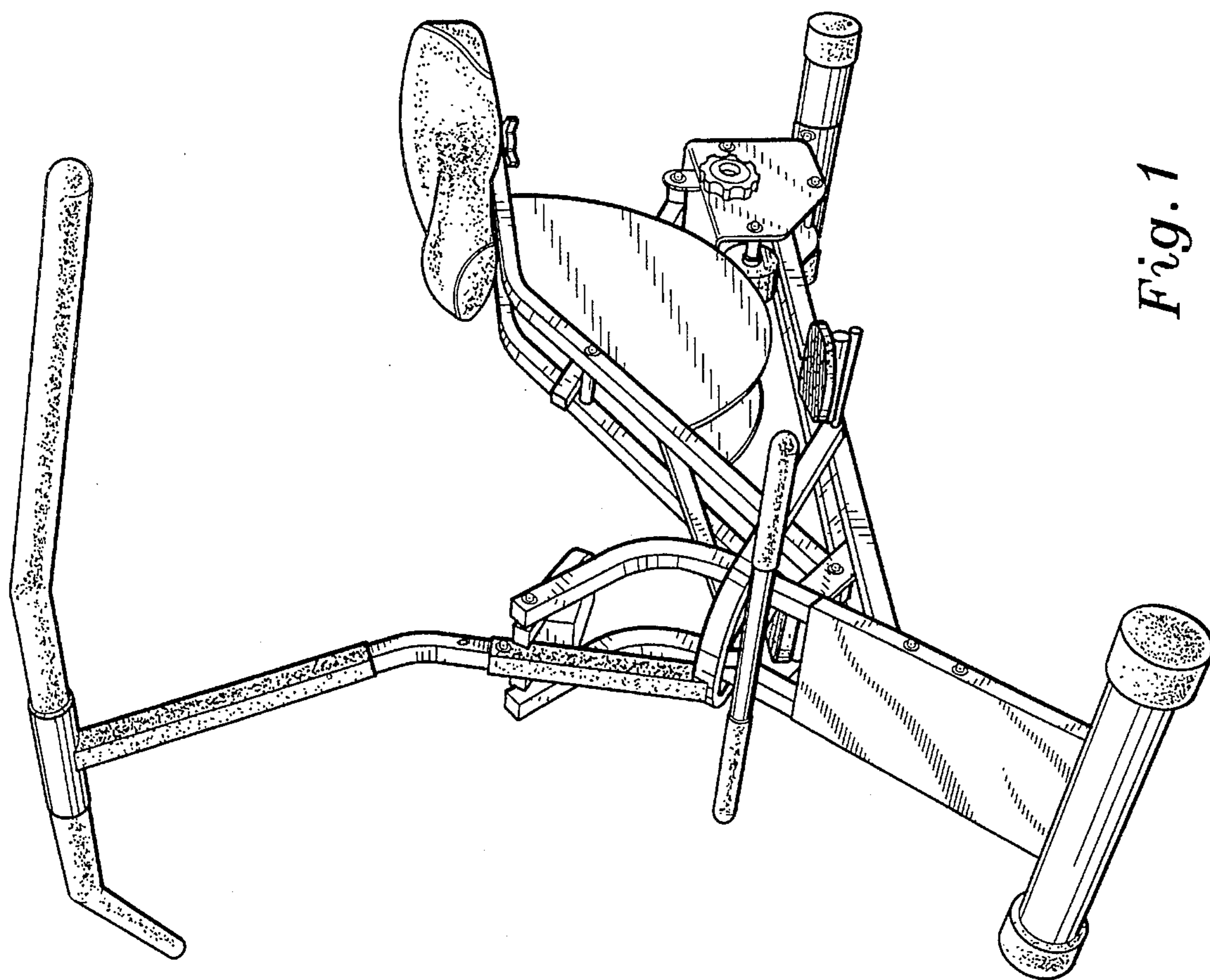
**1 Claim, 7 Drawing Sheets**

### [56] References Cited

#### U.S. PATENT DOCUMENTS

D. 356,112	2/1994	Smith et al.	D21/195
D. 356,128	3/1995	Smith et al.	D21/195
D. 367,689	3/1996	Wilkinson et al.	D21/195
2,455,548	7/1948	Bell	
2,642,288	8/1949	Bell	
2,924,456	11/1957	Miller	
4,300,760	11/1981	Bobroff	
5,029,848	7/1991	Sleamaker	
5,299,997	4/1994	Chen	482/96
5,342,269	8/1994	Huang et al.	482/95





*Fig. 1*

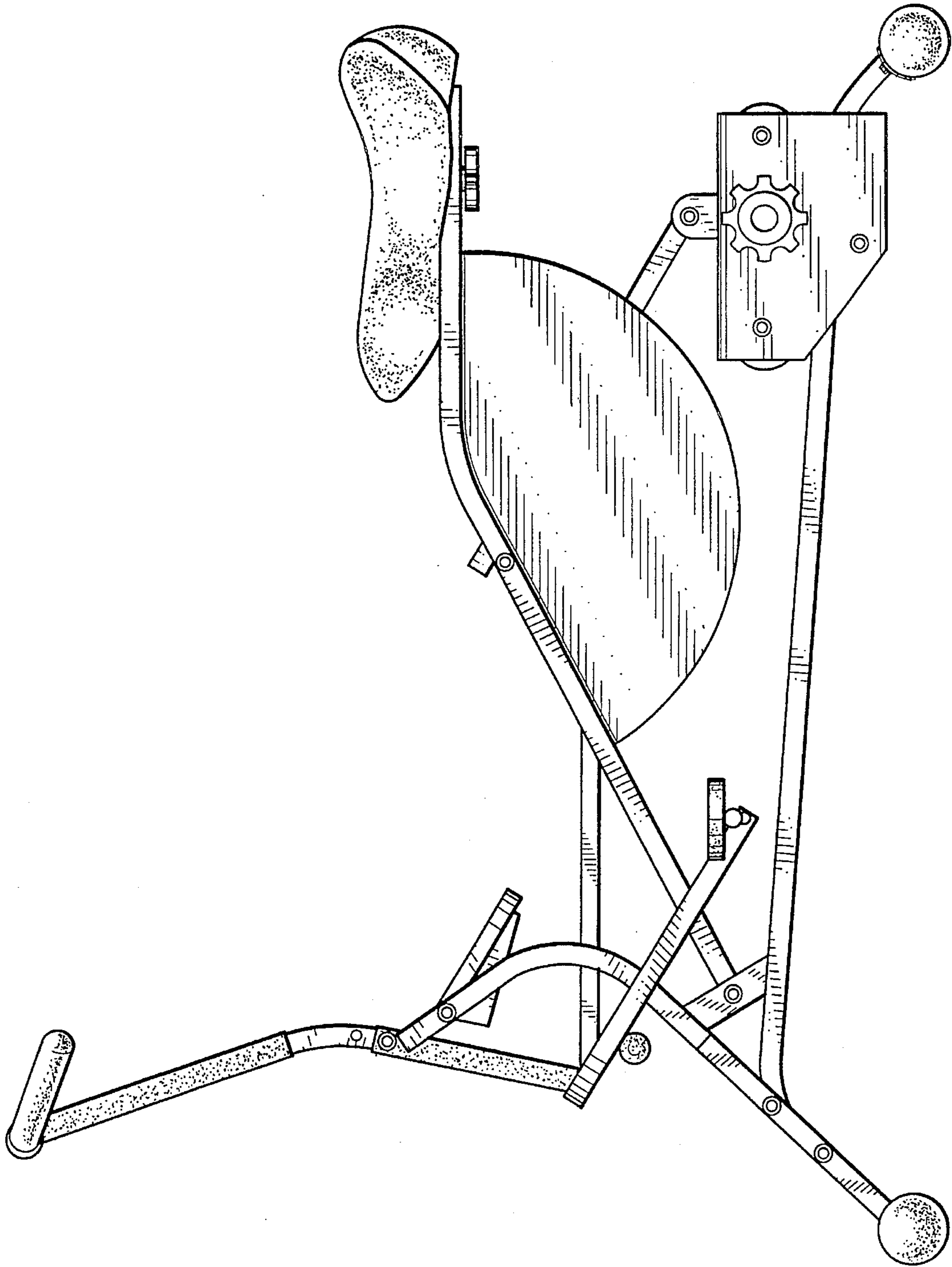
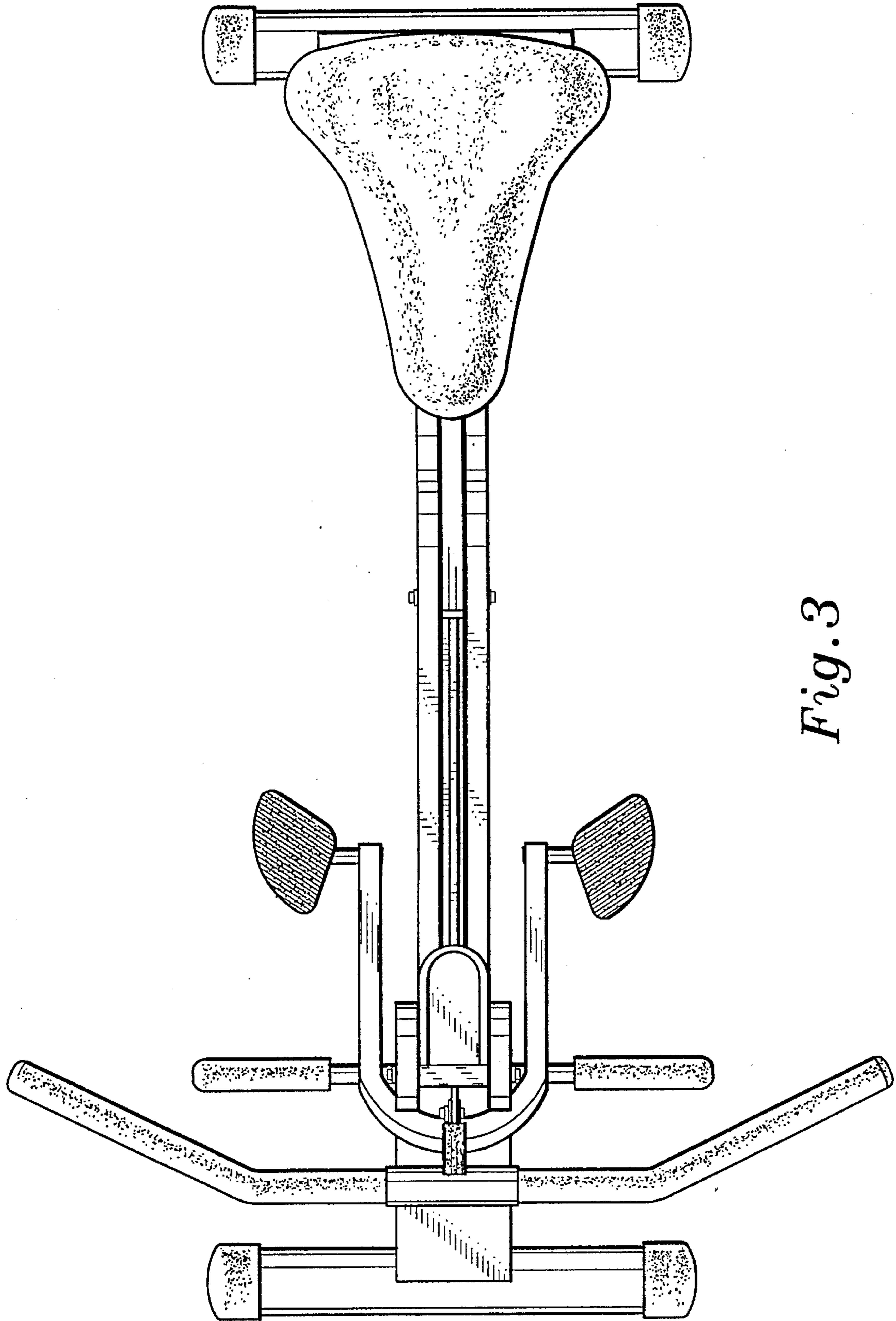


Fig. 2





*Fig. 3*

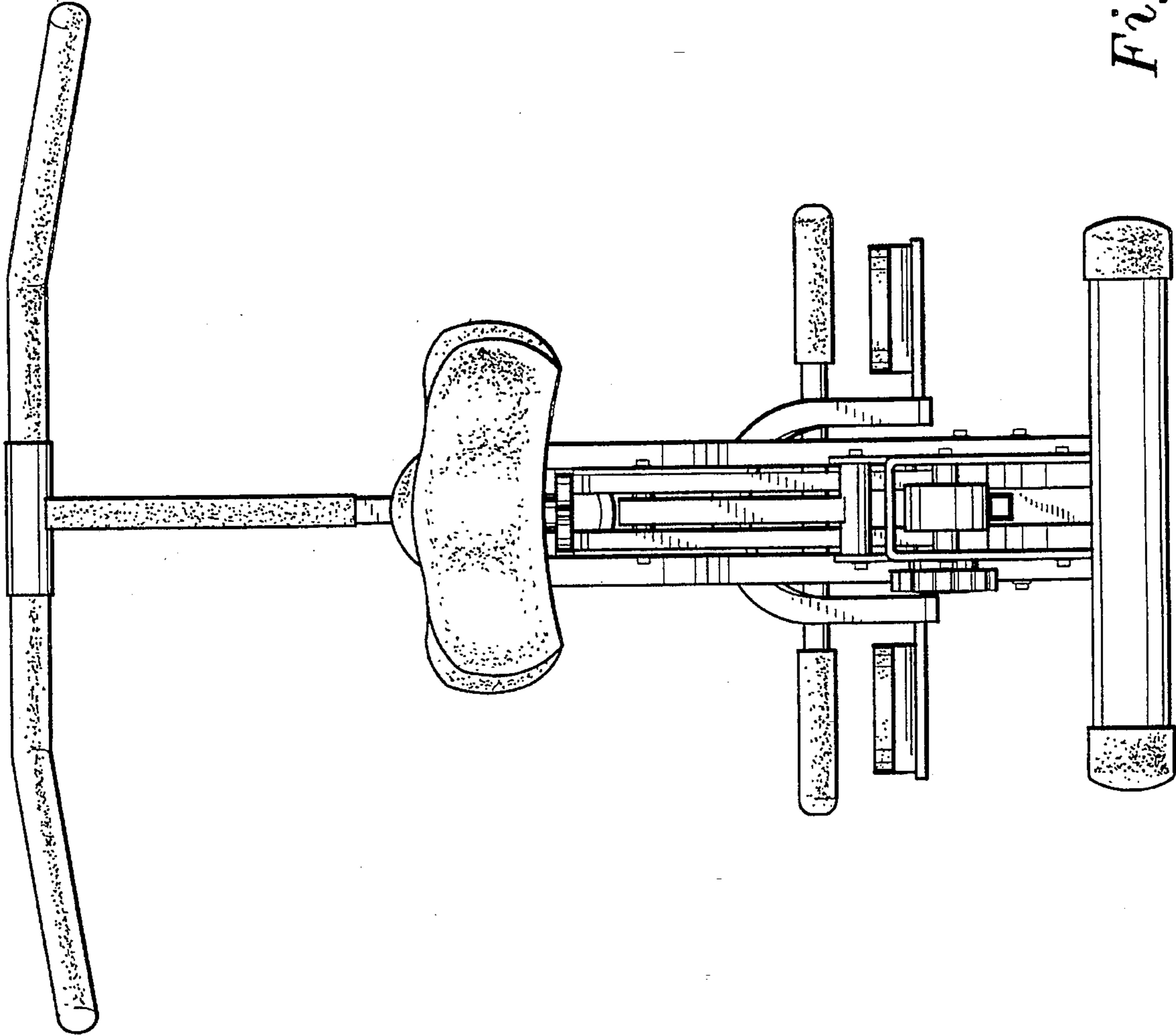


Fig. 4

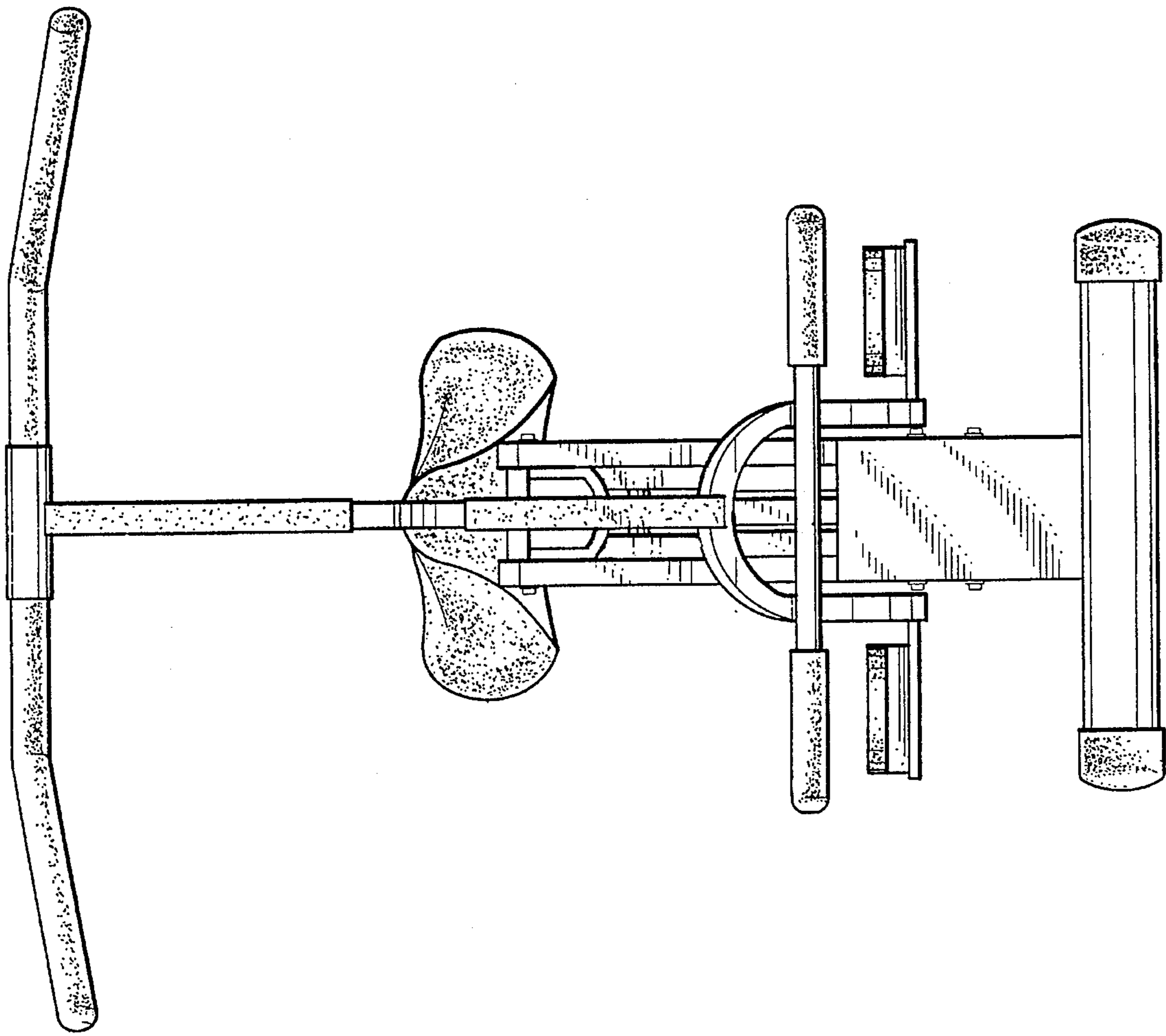


Fig. 5

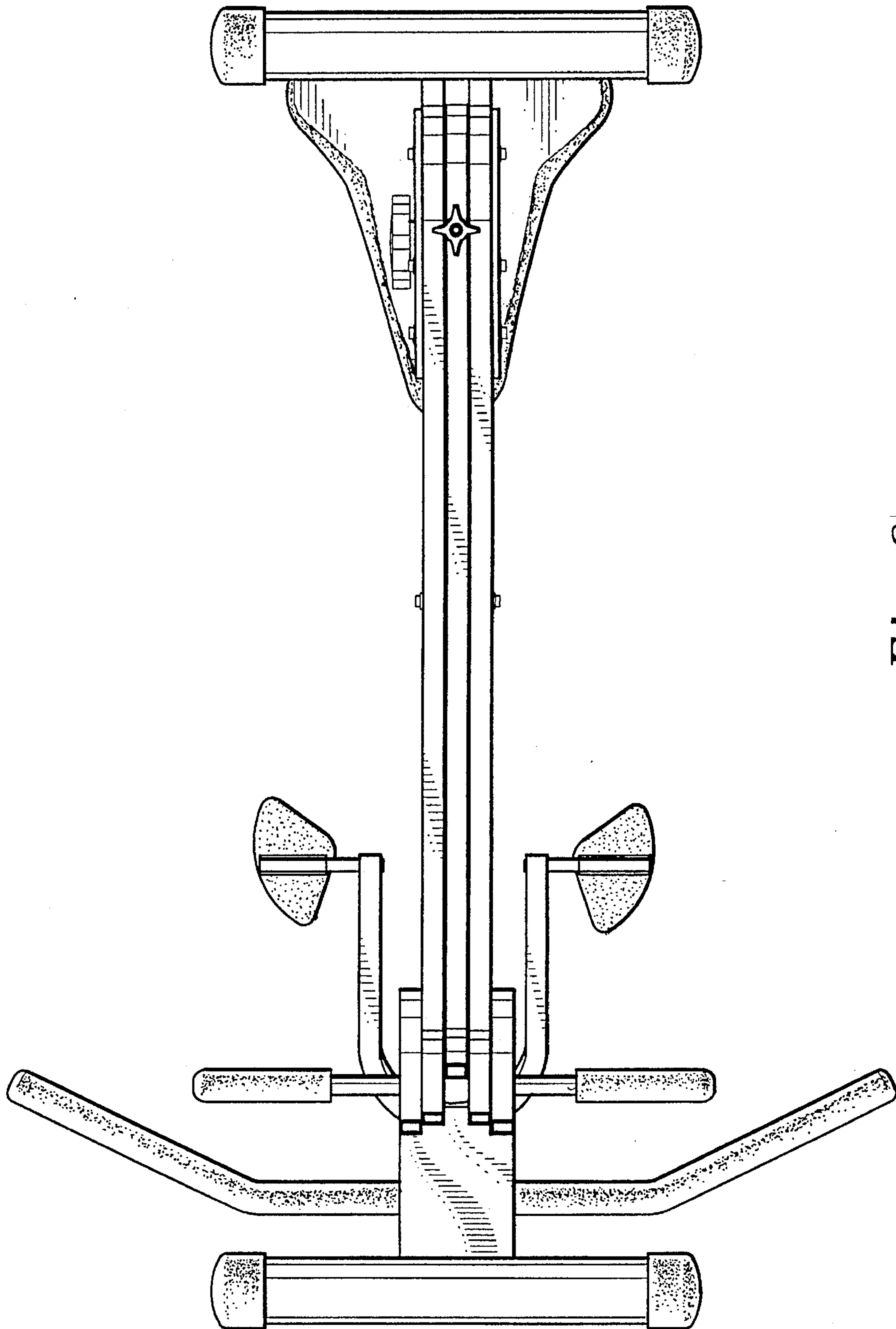


Fig. 6

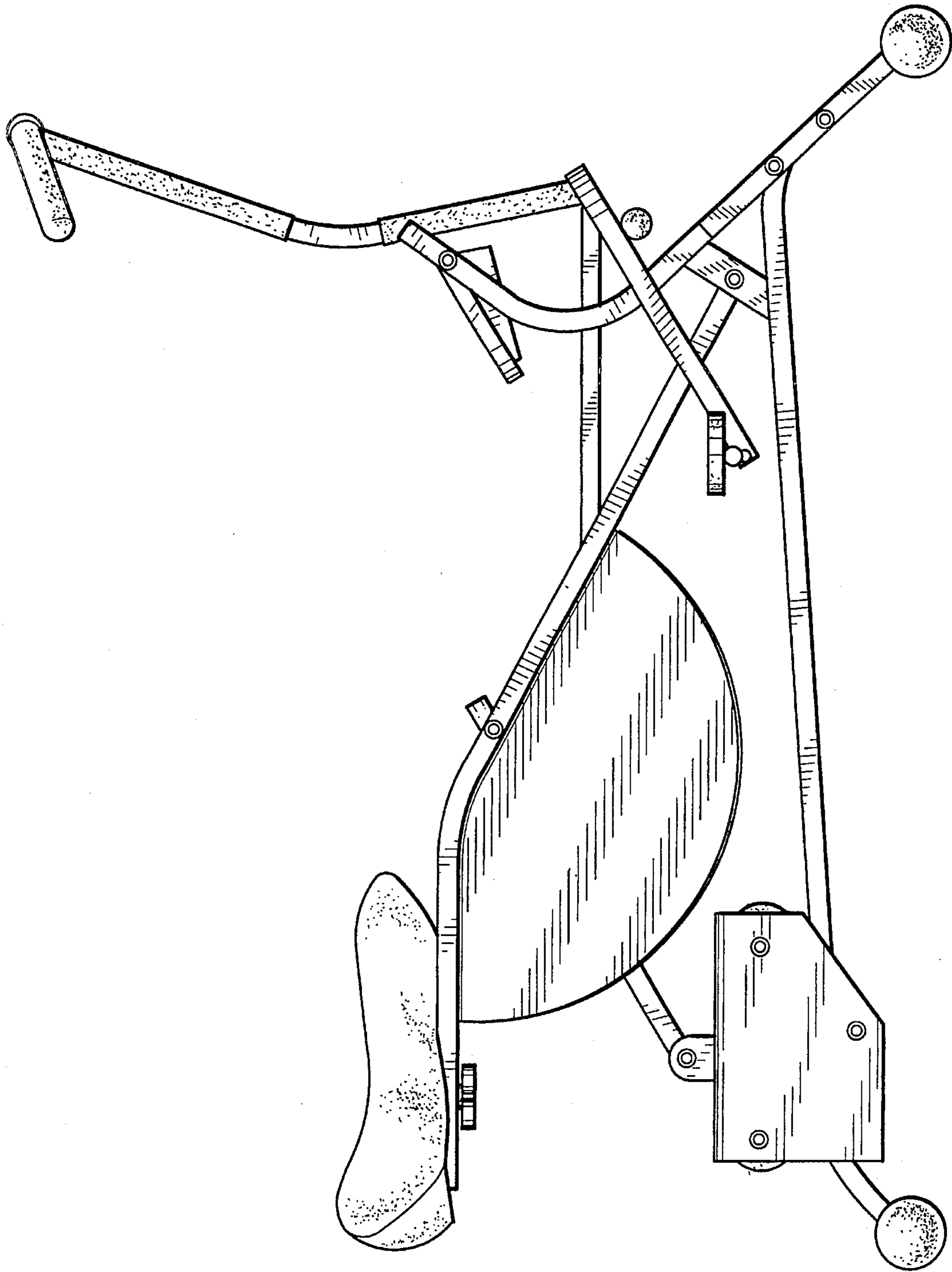


Fig. 7