



US00D375332S

United States Patent [19] Kino

[11] Patent Number: Des. 375,332

[45] Date of Patent: **Nov. 5, 1996

[54] TOY RAKE

[75] Inventor: **Moriya Kino**, Yokohama, Japan

[73] Assignee: **Royal Co., Ltd.**, Japan

[**] Term: **14 Years**

[21] Appl. No.: **34,100**

[22] Filed: **Jan. 27, 1995**

[30] Foreign Application Priority Data

Aug. 3, 1994 [JP] Japan 6-23557

[52] U.S. Cl. **D21/120; D8/13**

[58] Field of Search D21/120; D8/13;
446/144; 56/400.01, 400.12, 400.21, 400.16,
400.17

[56] References Cited

U.S. PATENT DOCUMENTS

D. 198,138	5/1964	Langlie	D8/13
D. 311,309	10/1990	McCoy	D8/13
D. 342,292	12/1993	Kino	D21/120
D. 342,293	12/1993	Kino	D21/120
D. 344,991	3/1994	Kino	D21/120
674,216	5/1901	Peters	56/400.21
1,173,867	2/1916	Roehrig	56/400.1

OTHER PUBLICATIONS

"Sunny Park" catalogue, issued Jun. 1993–May 1994 by Royal Co., Ltd.

A catalogue issued 1993 by Early Learning Centre.

A catalogue issued 1989 by Wader.

Primary Examiner—Raphael Barkai

Attorney, Agent, or Firm—Ostrolenk, Faber, Gerb & Soffen, LLP

[57] CLAIM

The ornamental design for a toy rake, as shown and described.

DESCRIPTION

FIG. 1 is a top plan view of a toy rake showing my new design;

FIG. 2 is a front elevational view thereof and is also a mirror image of rear elevational view thereof;

FIG. 3 is a left side elevational view thereof;

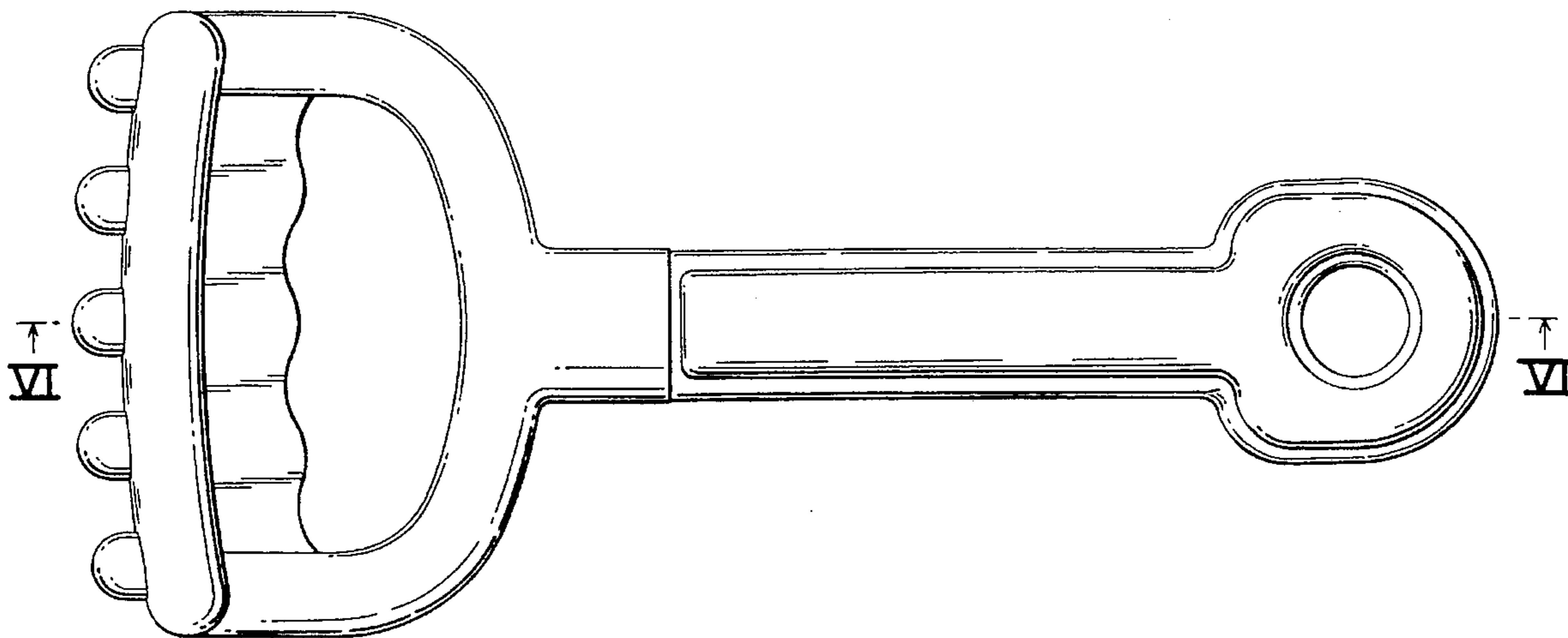
FIG. 4 is a right side elevational view thereof;

FIG. 5 is a bottom plan view thereof;

FIG. 6 is a sectional view taken in the direction of the arrows on the line VI—VI of FIG. 1; and,

FIG. 7 is a sectional view taken in the direction of the arrows on the line VII—VII of FIG. 2.

1 Claim, 4 Drawing Sheets



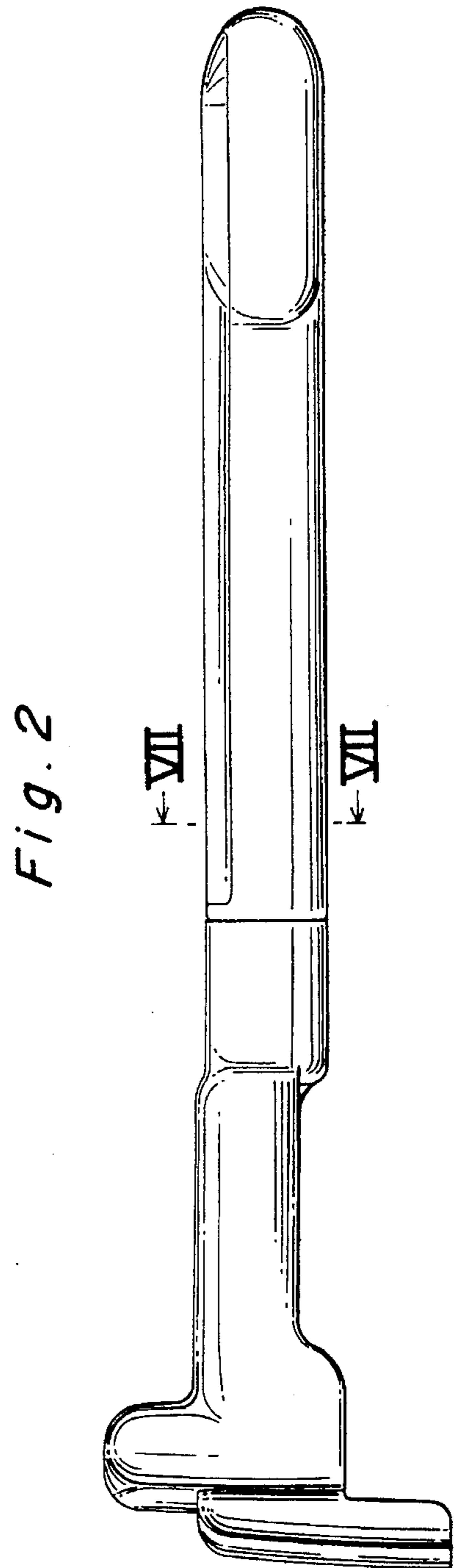
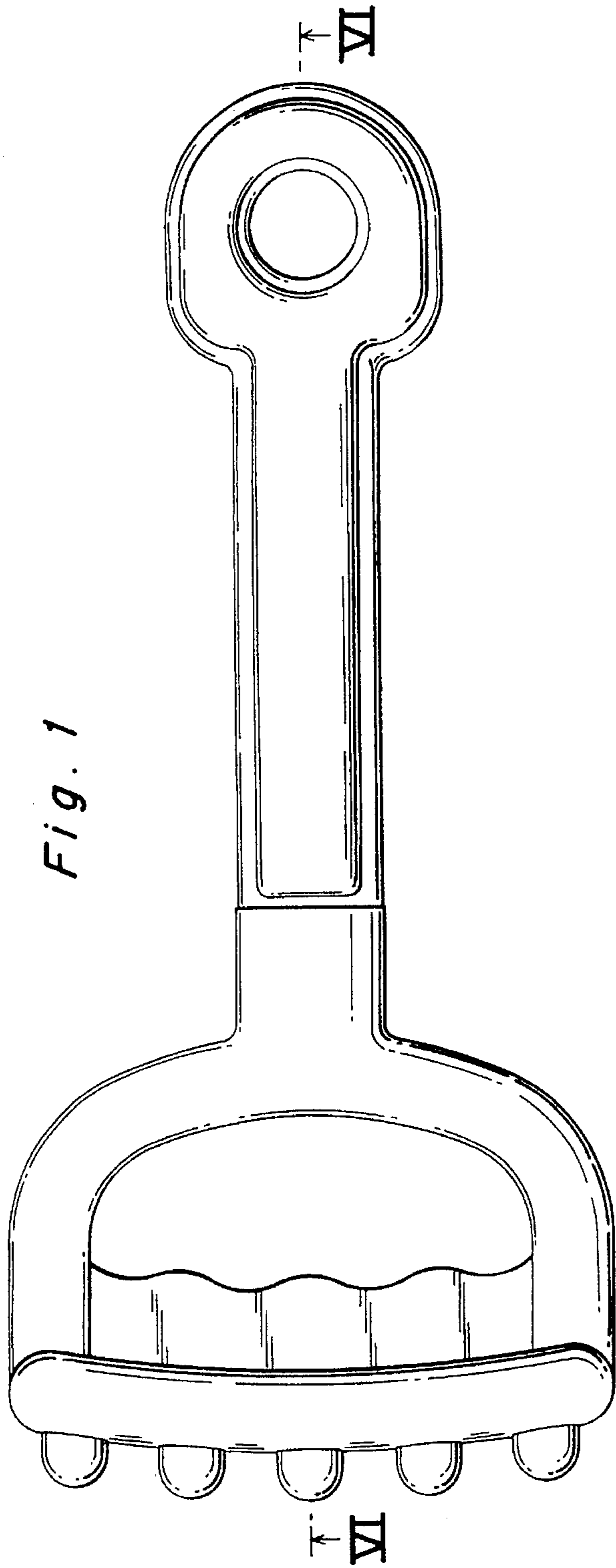


Fig. 4

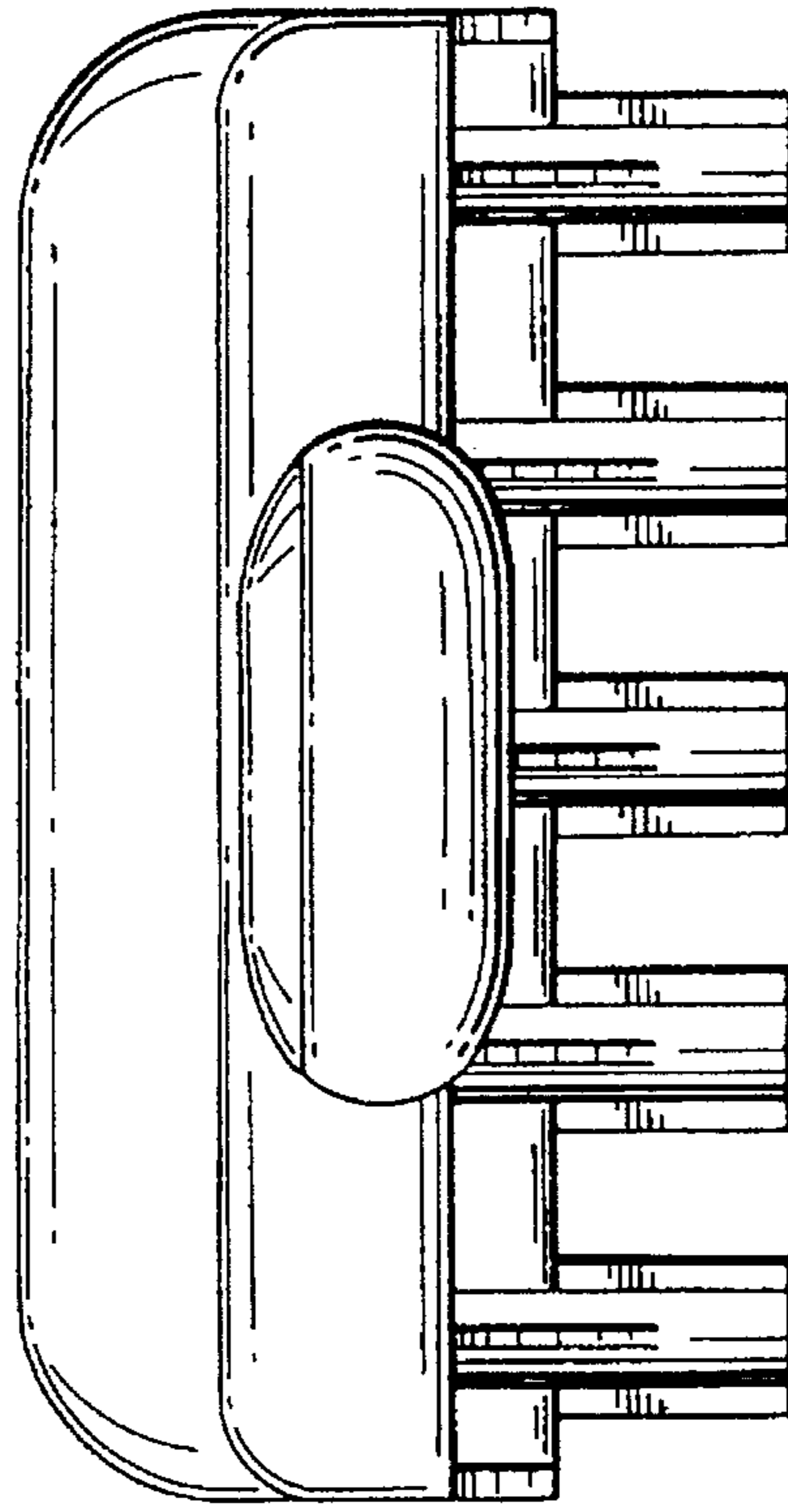


Fig. 3

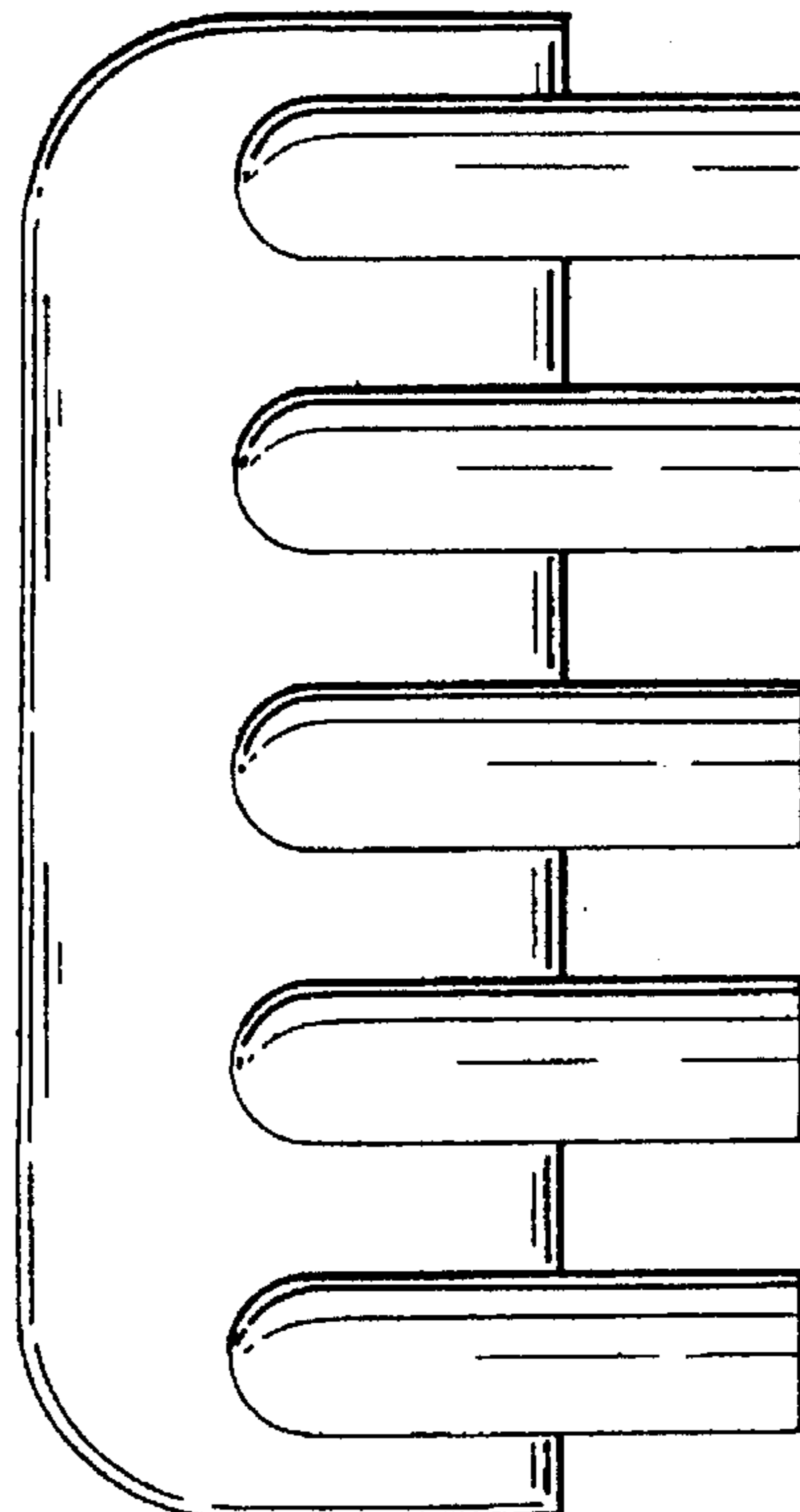


Fig. 5

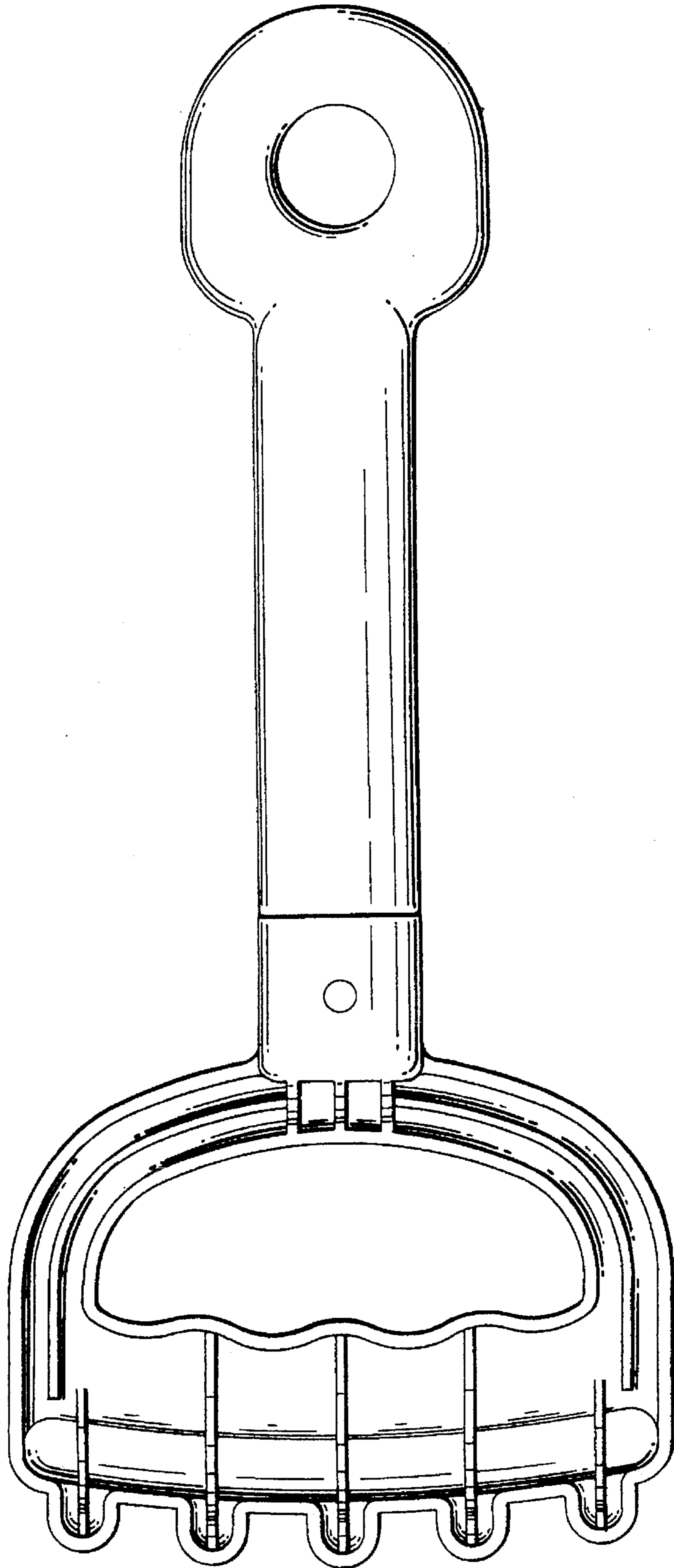


Fig. 6

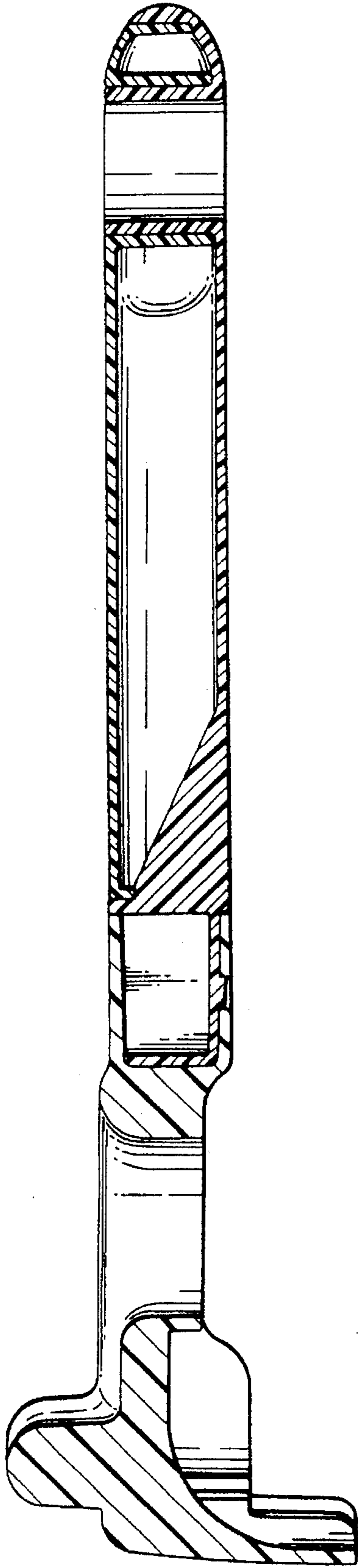


Fig. 7

