



US00D375329S

# United States Patent [19]

Lennon et al.

[11] Patent Number: **Des. 375,329**

[45] Date of Patent: **\*\*Nov. 5, 1996**

[54] **GEOMETRIC STRUCTURAL PUZZLE**

[76] Inventors: **Matthew F. Lennon; Patricia A. Lennon**, both of 3873 Evelyn Dr., Wilmington, Del. 19808

[\*\*] Term: **14 Years**

[21] Appl. No.: **47,460**

[22] Filed: **Dec. 5, 1995**

[52] U.S. Cl. .... **D21/104; D21/107**

[58] Field of Search ..... **D21/104, 107; 273/153 R, 156, 157 R, 160**

### [56] References Cited

#### U.S. PATENT DOCUMENTS

D. 230,874	3/1974	Baynes .....	D21/107
D. 302,709	8/1989	Thompson .....	D21/104
D. 307,452	4/1990	Laubscher .....	D21/107
3,813,841	6/1974	Tsurumi .....	273/160 X

*Primary Examiner*—Dominic Simone  
*Attorney, Agent, or Firm*—Kevin W. Goldstein

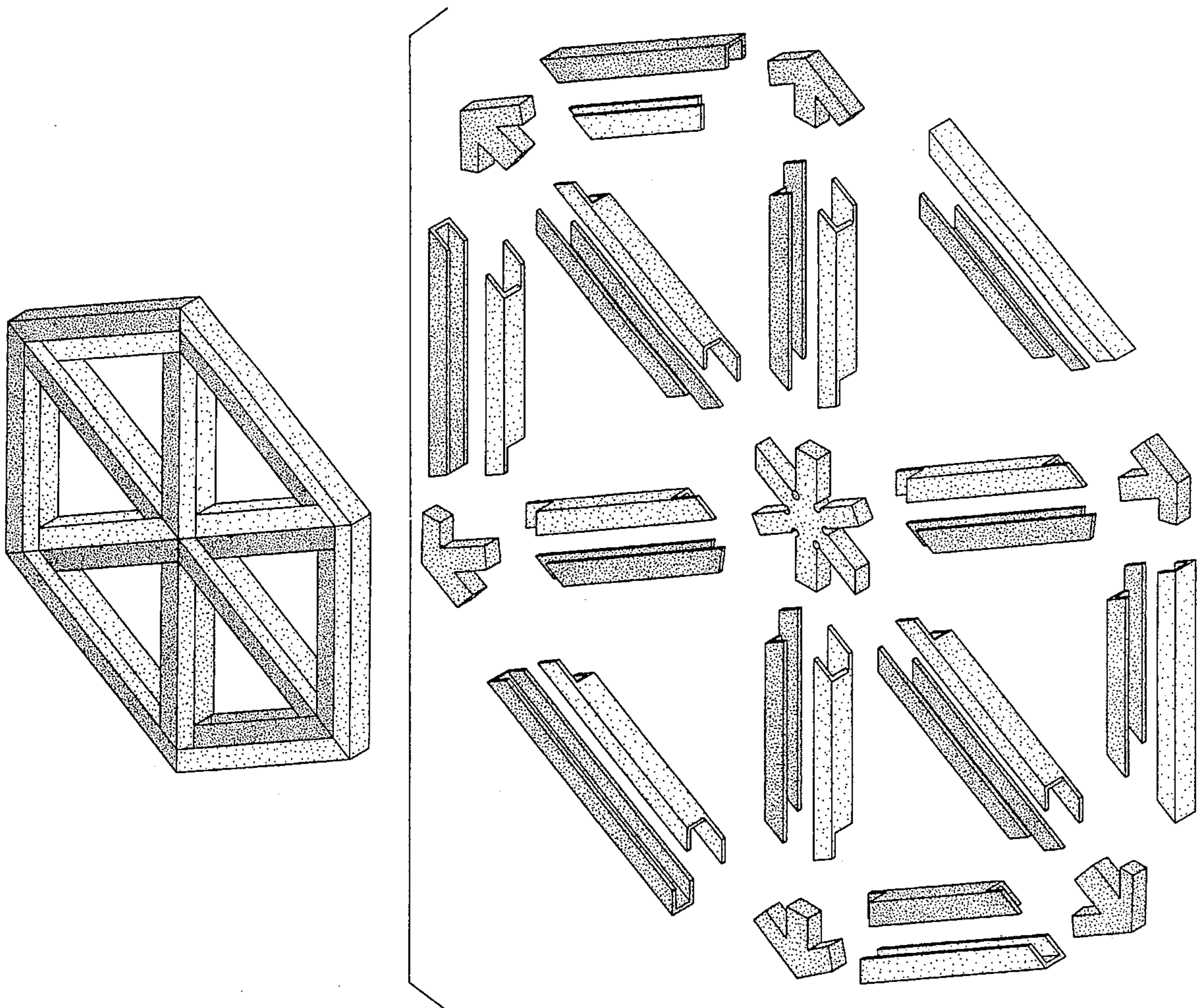
### [57] CLAIM

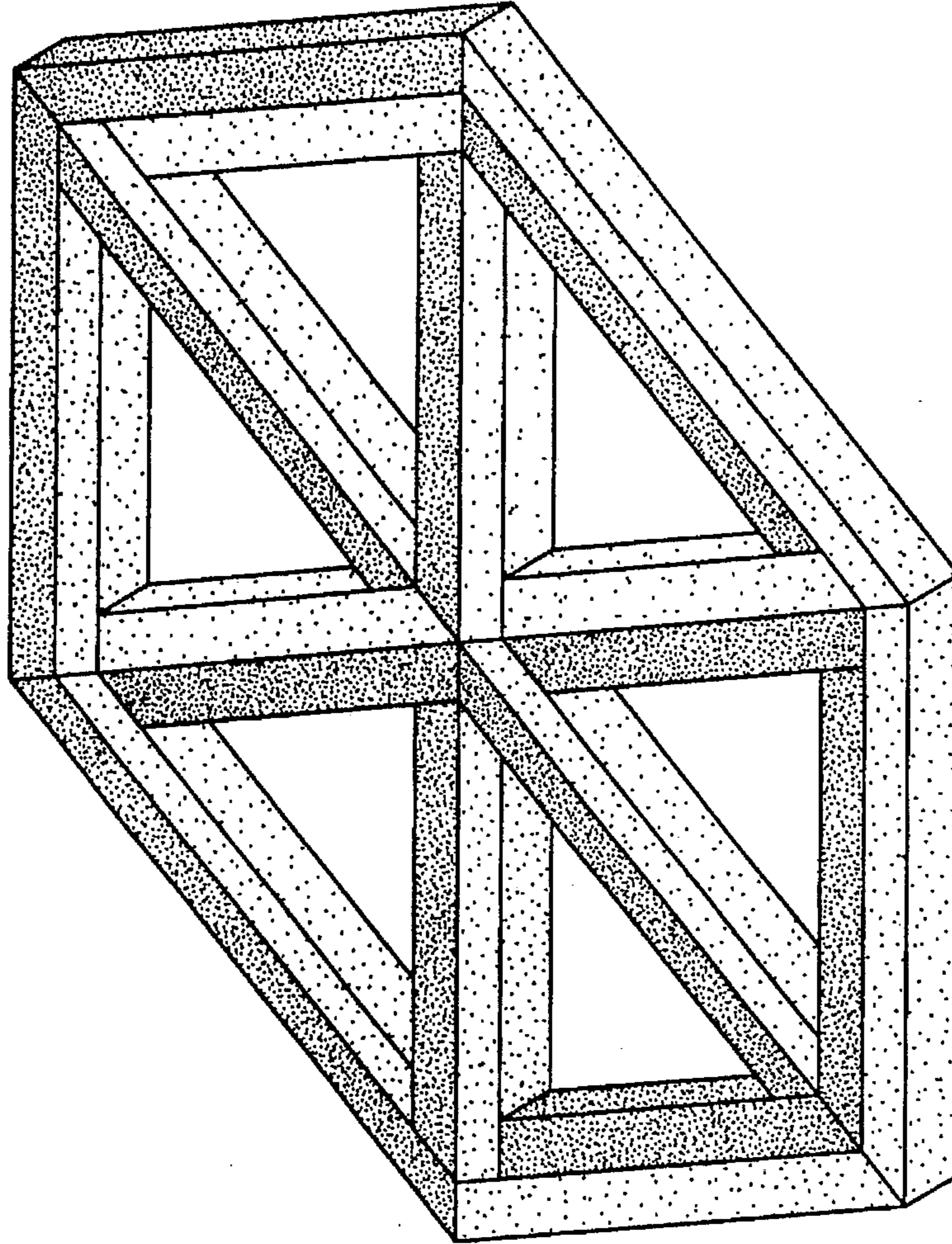
The ornamental design for a geometric structural puzzle, as shown and described.

### DESCRIPTION

FIG. 1: is a front perspective view of the geometric structural puzzle;  
 FIG. 2: is a front view of the geometric structural puzzle;  
 FIG. 3: is a back view of the geometric structural puzzle;  
 FIG. 4: is a top view of the geometric structural puzzle;  
 FIG. 5: is a bottom view of the geometric structural puzzle;  
 FIG. 6: is a left side view of the geometric structural puzzle;  
 FIG. 7: is a right side view of the geometric structural puzzle; and,  
 FIG. 8: is an exploded isometric view of the geometric structural puzzle.

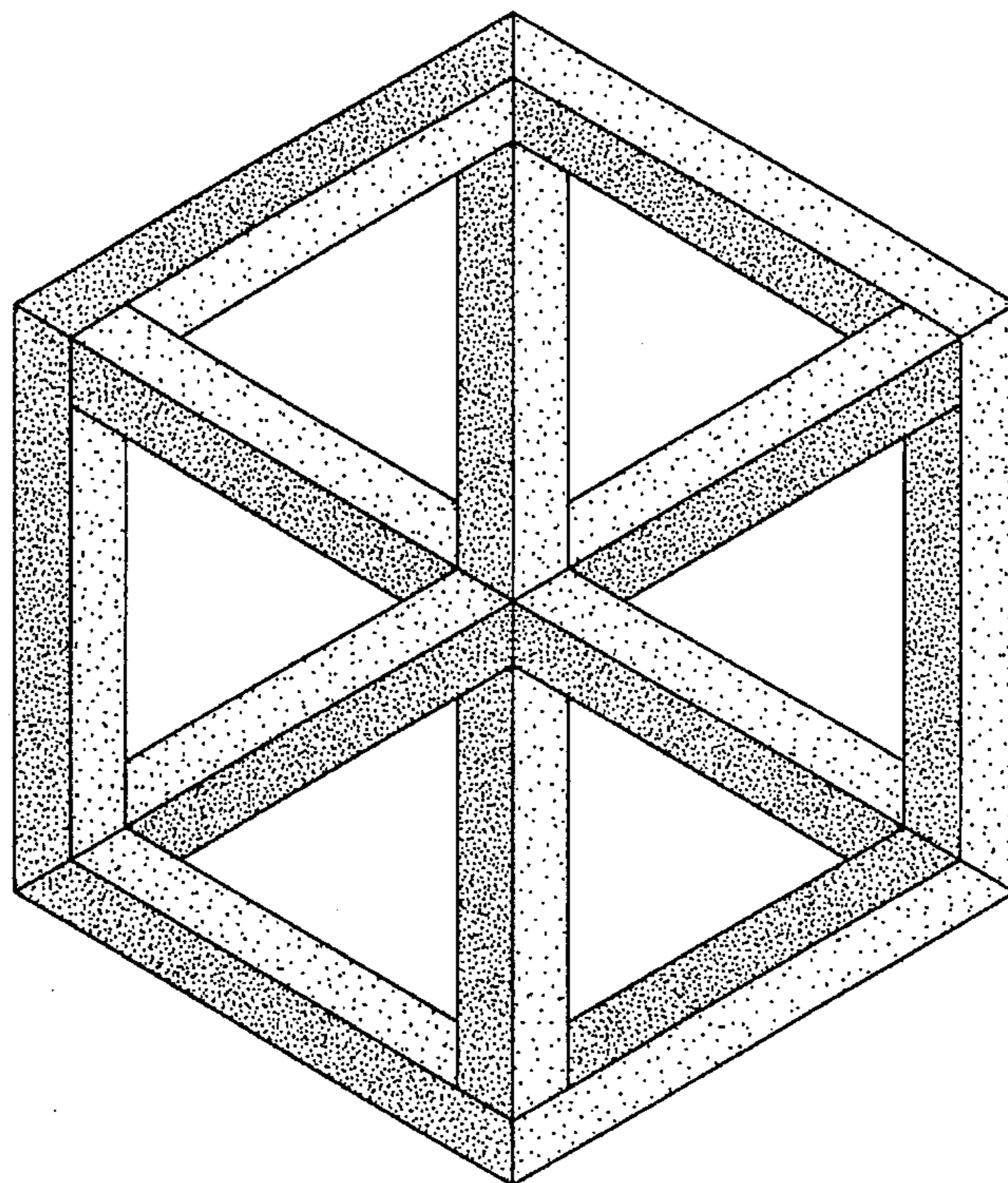
1 Claim, 4 Drawing Sheets



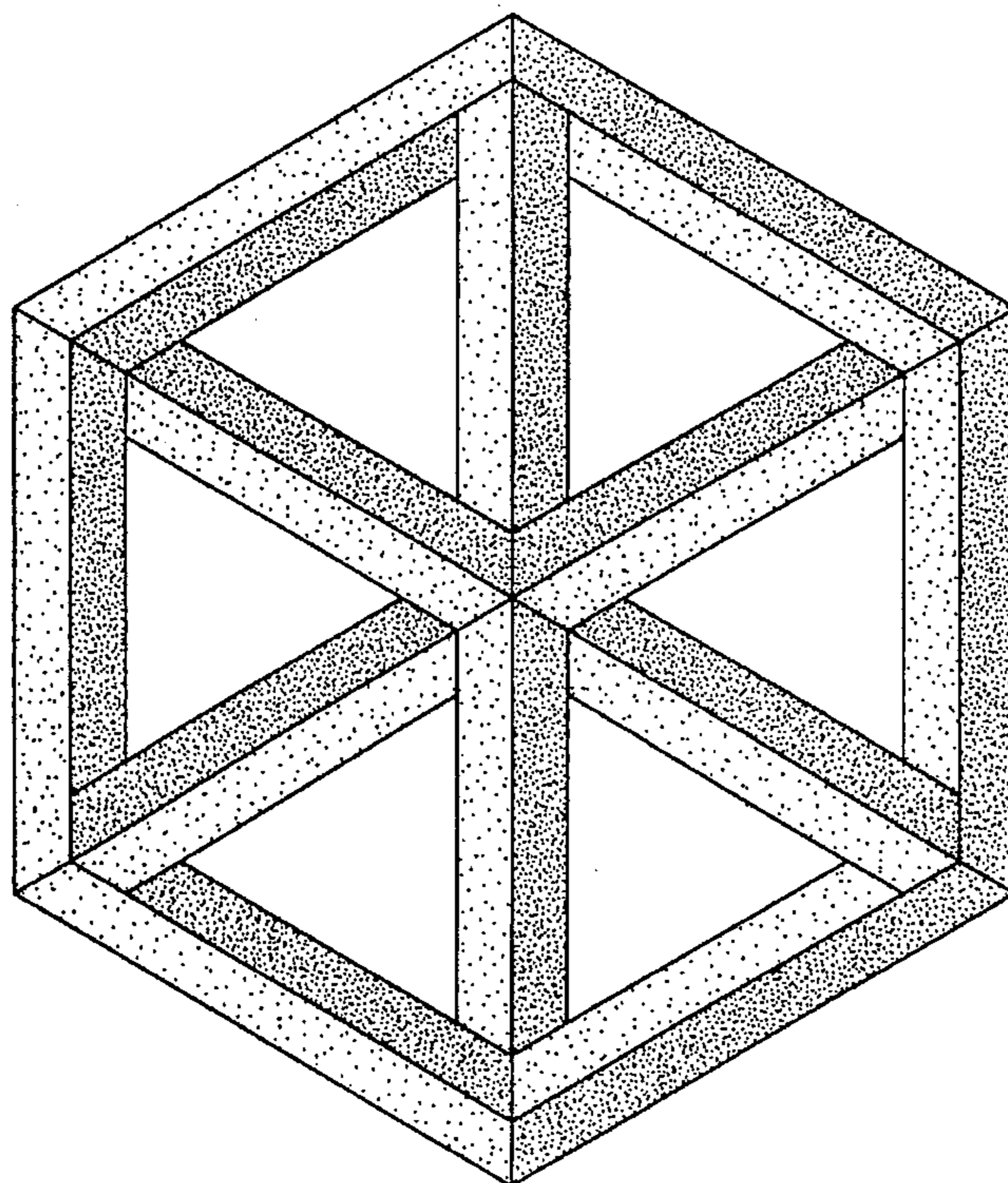


*FIG. 1*





*FIG. 2*



*FIG. 3*



*FIG. 4*



*FIG. 5*



*FIG. 6*



*FIG. 7*



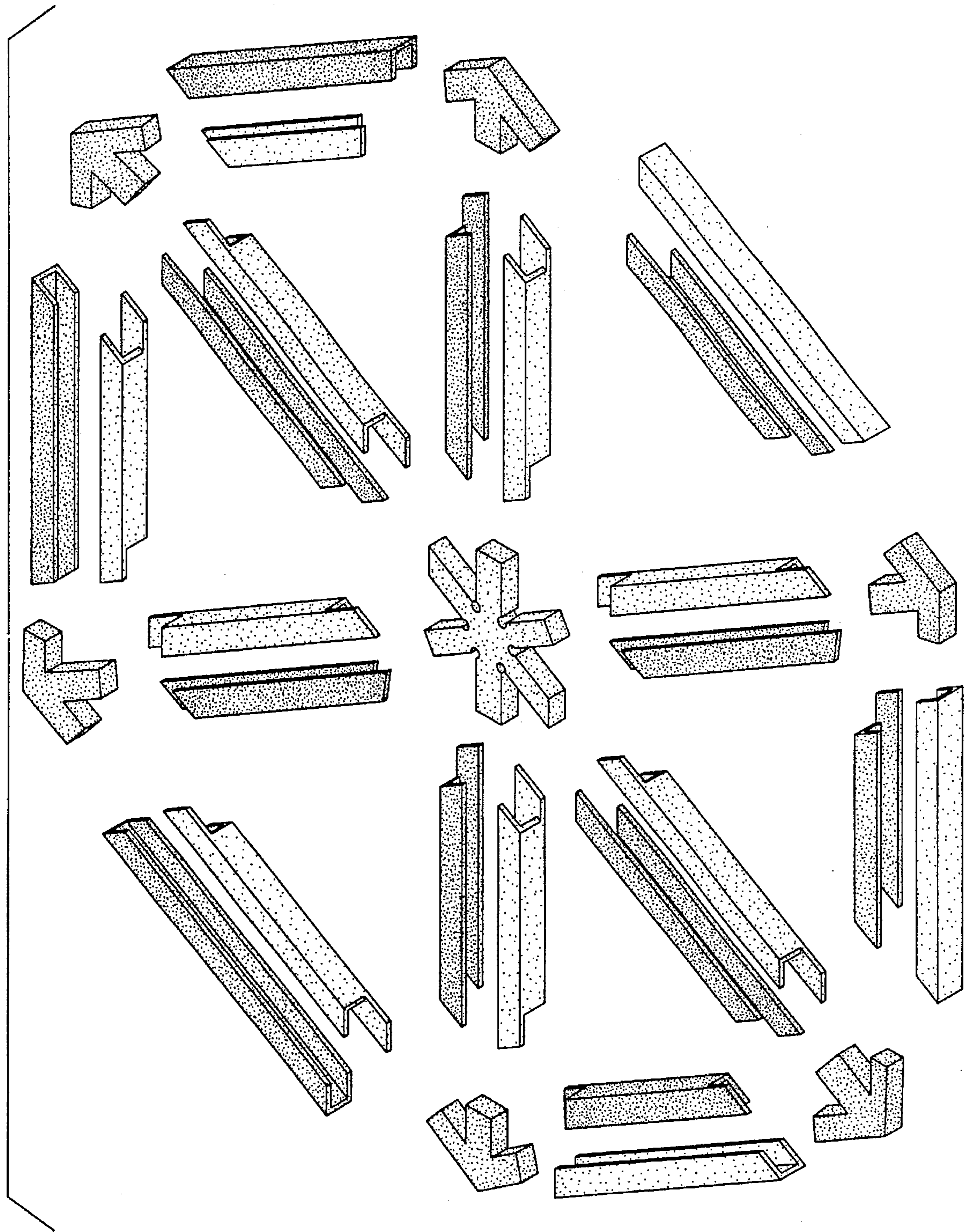


FIG. 8