



US00D375326S

# United States Patent [19]

Yokoi et al.

[11] Patent Number: Des. 375,326

[45] Date of Patent: \*\*Nov. 5, 1996

## [54] CONTROLLER FOR GAME MACHINE

[75] Inventors: Gunpei Yokoi; Kenichi Sugino, both of Kyoto-fu, Japan

[73] Assignee: Nintendo Co., Ltd., Japan

[\*\*] Term: 14 Years

[21] Appl. No.: 30,441

[22] Filed: Oct. 31, 1994

### [30] Foreign Application Priority Data

May 2, 1994 [JP] Japan ..... 6-12834

[52] U.S. Cl. .... D21/48

[58] Field of Search ..... D21/48, 13, 1; 273/433-438, 148 B, DIG. 28; D14/217, 124, 125

### [56] References Cited

#### U.S. PATENT DOCUMENTS

D. 316,879	5/1991	Shulman et al. ....	D21/48
D. 317,946	7/1991	Tse .....	D21/48
D. 357,712	4/1995	Wu .....	D21/48
D. 363,092	10/1995	Hung .....	D21/48
5,203,563	4/1993	Loper, III .....	273/148 B
5,290,034	3/1994	Hineman .....	273/438 X

#### FOREIGN PATENT DOCUMENTS

6054962 3/1994 Japan ..... 273/438

## OTHER PUBLICATIONS

HongKong Electronics Cat 1985, p. 9.  
Playthings, 1988, p. 50.

Primary Examiner—Prabhakar G. Deshmukh  
Attorney, Agent, or Firm—Nixon & Vanderhye P.C.

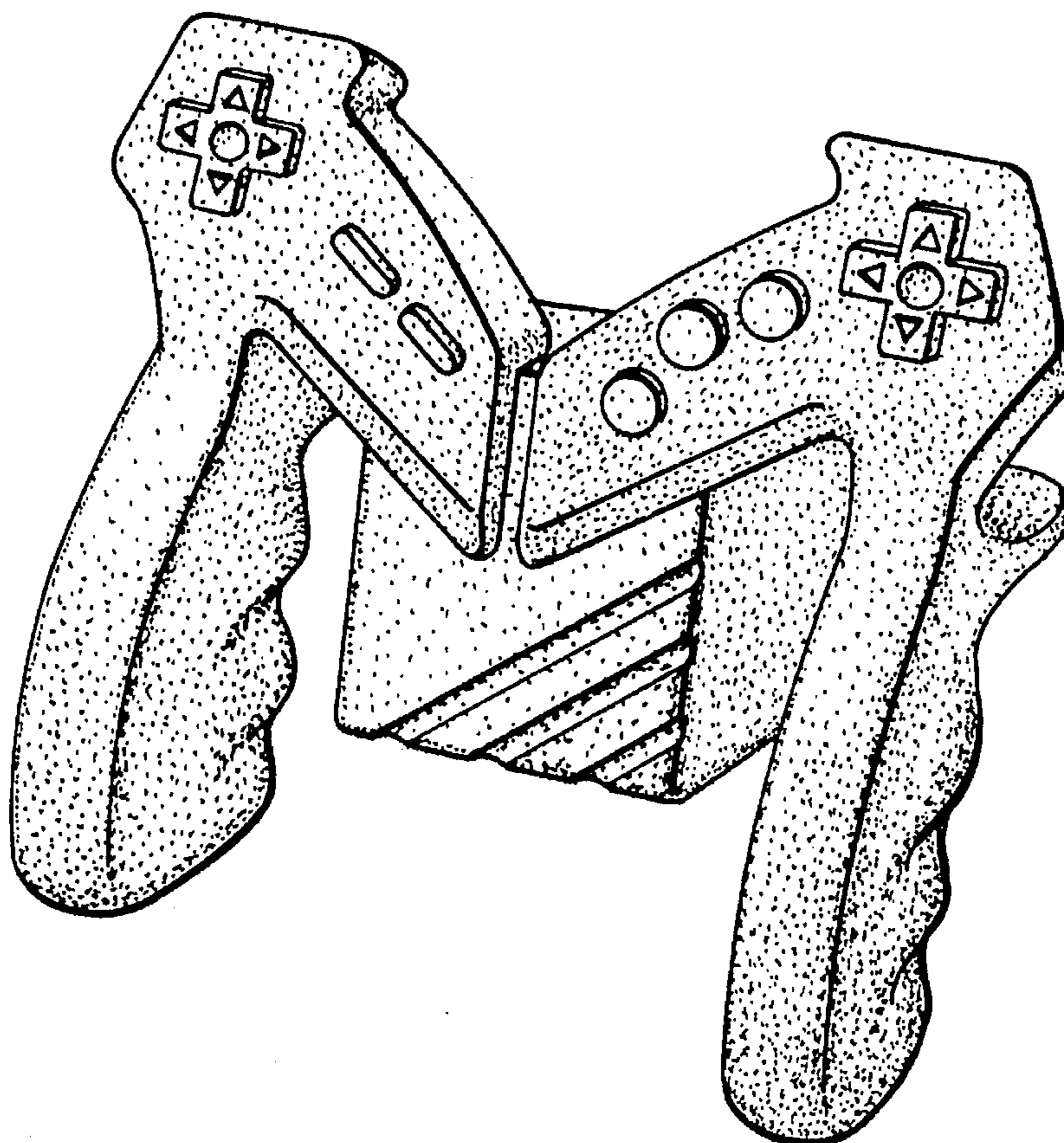
## [57] CLAIM

The ornamental design for a “controller for game machine”, as shown and described.

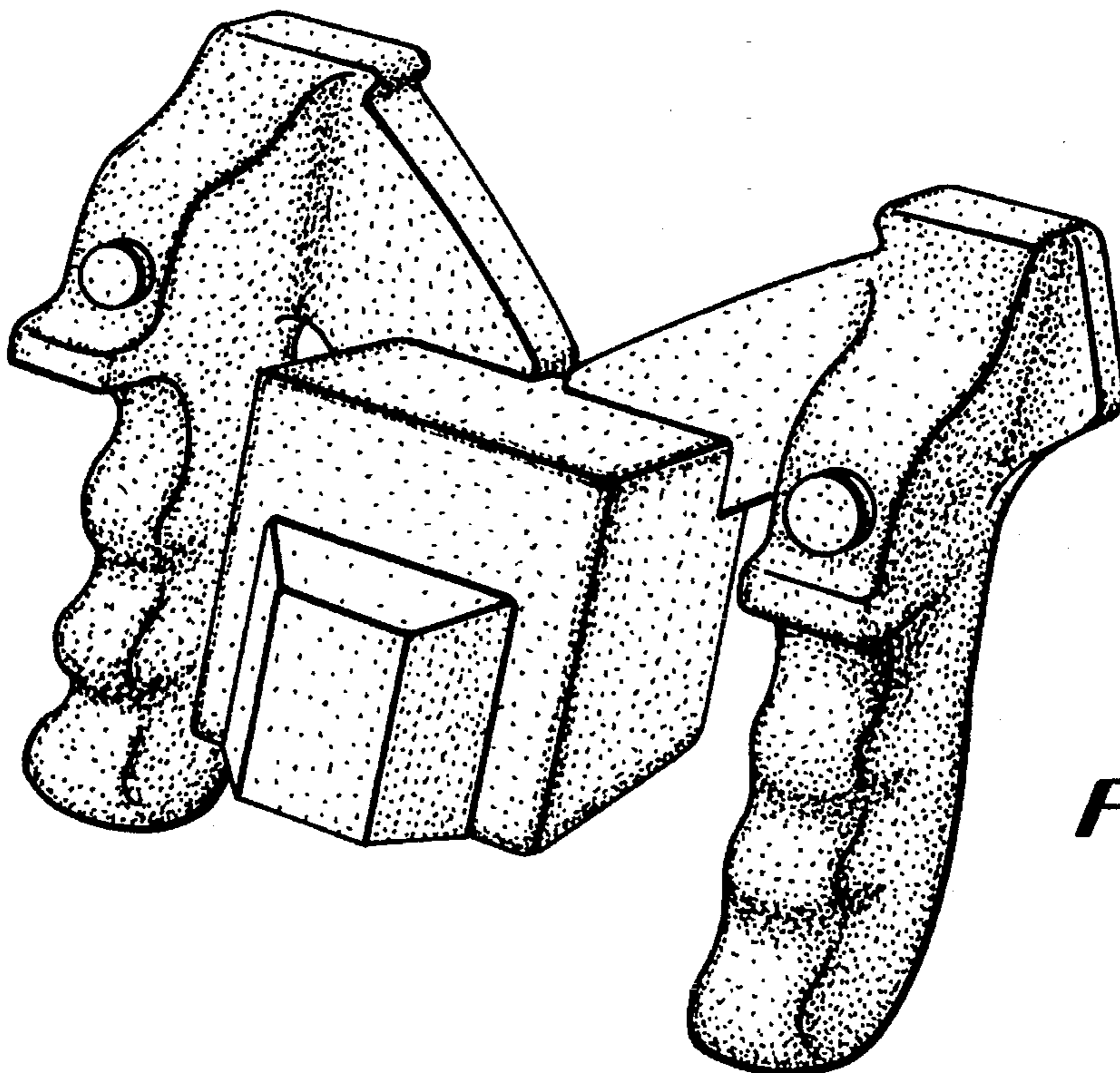
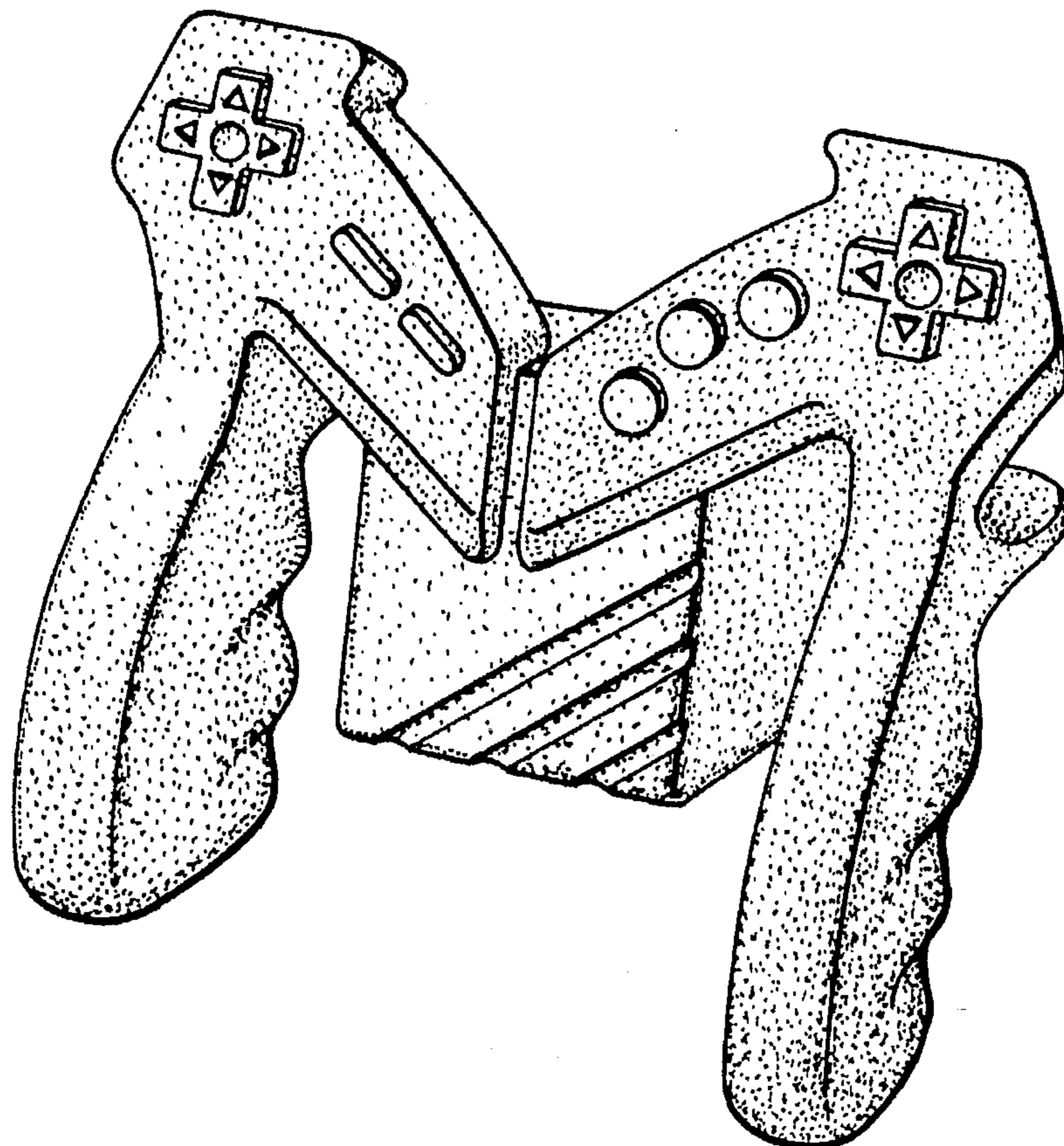
## DESCRIPTION

FIG. 1 is a front and right perspective view of a controller for a game machine showing a main embodiment; FIG. 2 is a rear and left perspective view thereof; FIG. 3 is a top plan view thereof; FIG. 4 is a front elevational view thereof; FIG. 5 is a rear elevational view thereof; FIG. 6 is a bottom plan view thereof; FIG. 7 is a right side view thereof; FIG. 8 is a left side view thereof; FIG. 9 is a front and right perspective view of a controller for a game machine showing a second embodiment; FIG. 10 is a rear and left perspective view thereof; FIG. 11 is a top plan view thereof; FIG. 12 is a front elevational view thereof; FIG. 13 is a rear elevational view thereof; FIG. 14 is a bottom plan view thereof; FIG. 15 is a right side view thereof; and, FIG. 16 is a left side view thereof.

1 Claim, 8 Drawing Sheets



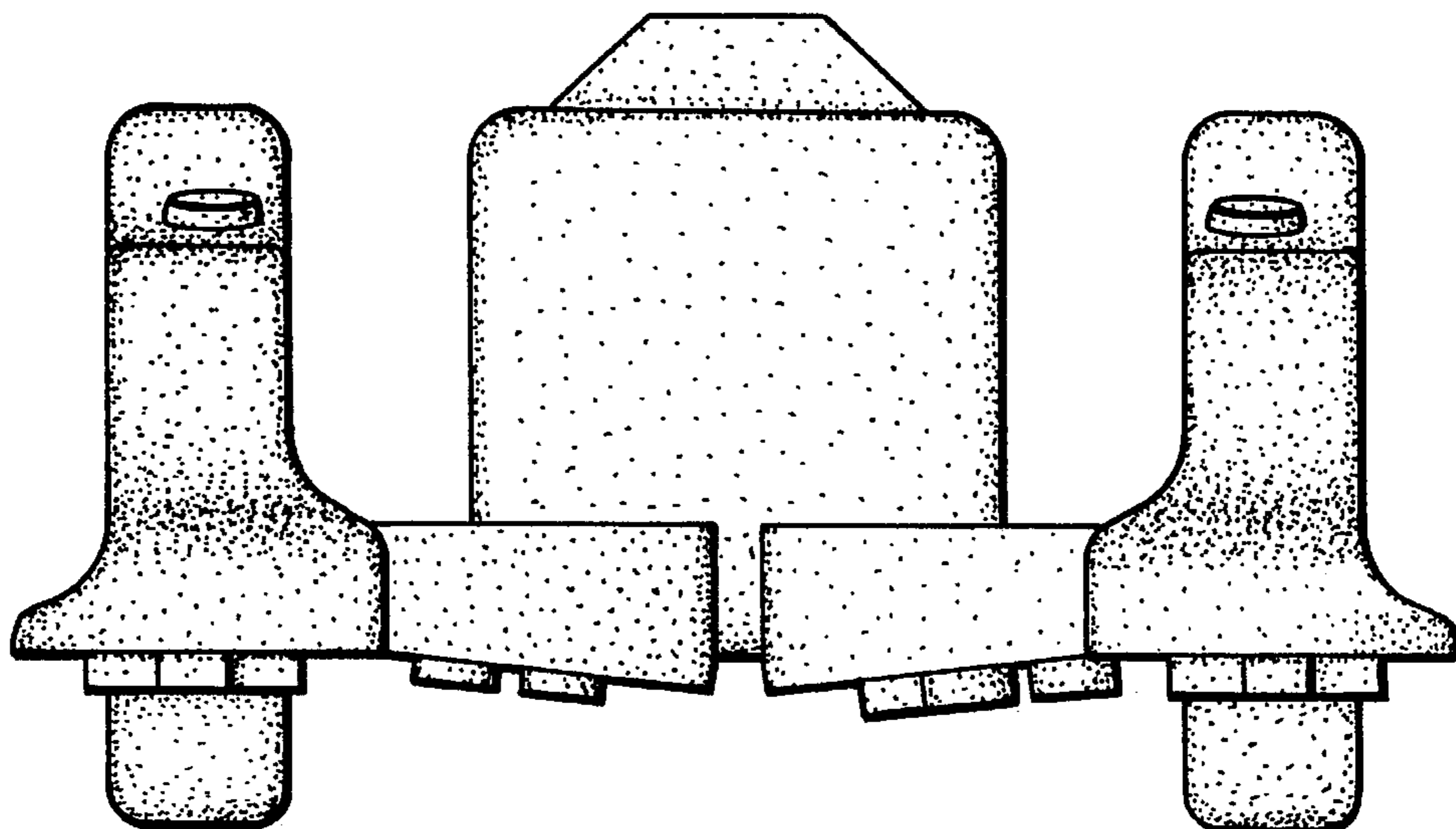
**FIG. 1**



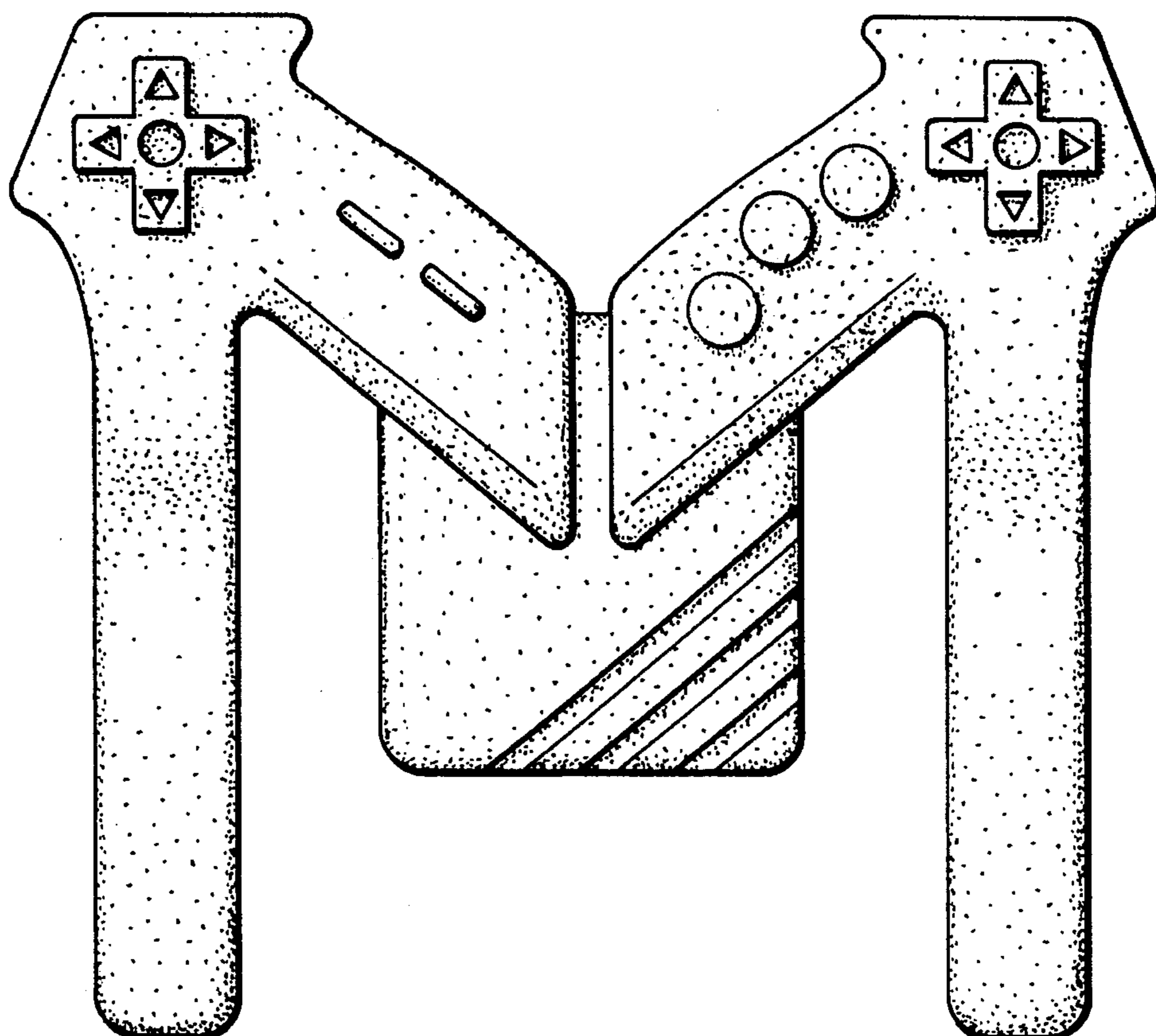
**FIG. 2**



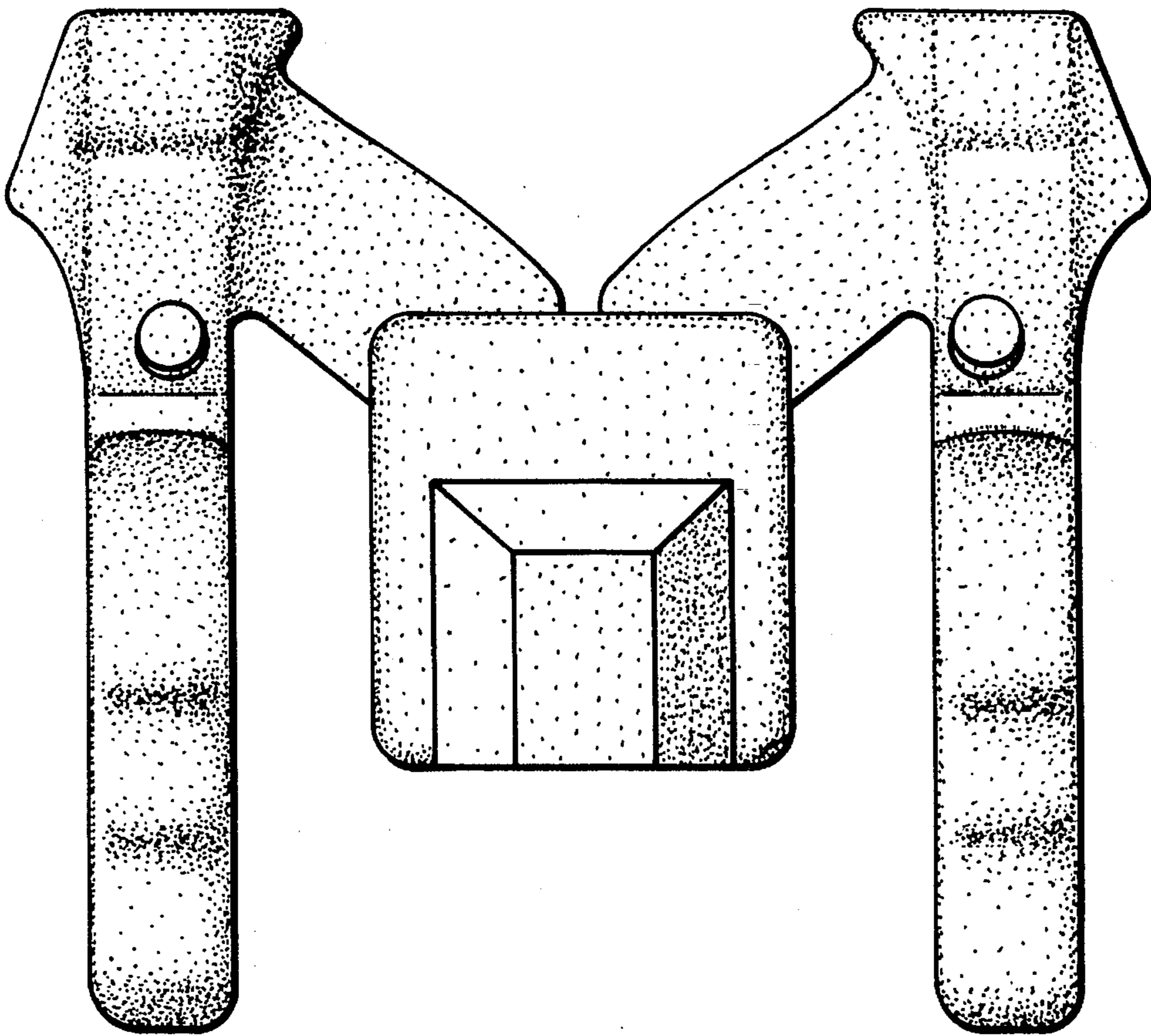
**FIG. 3**



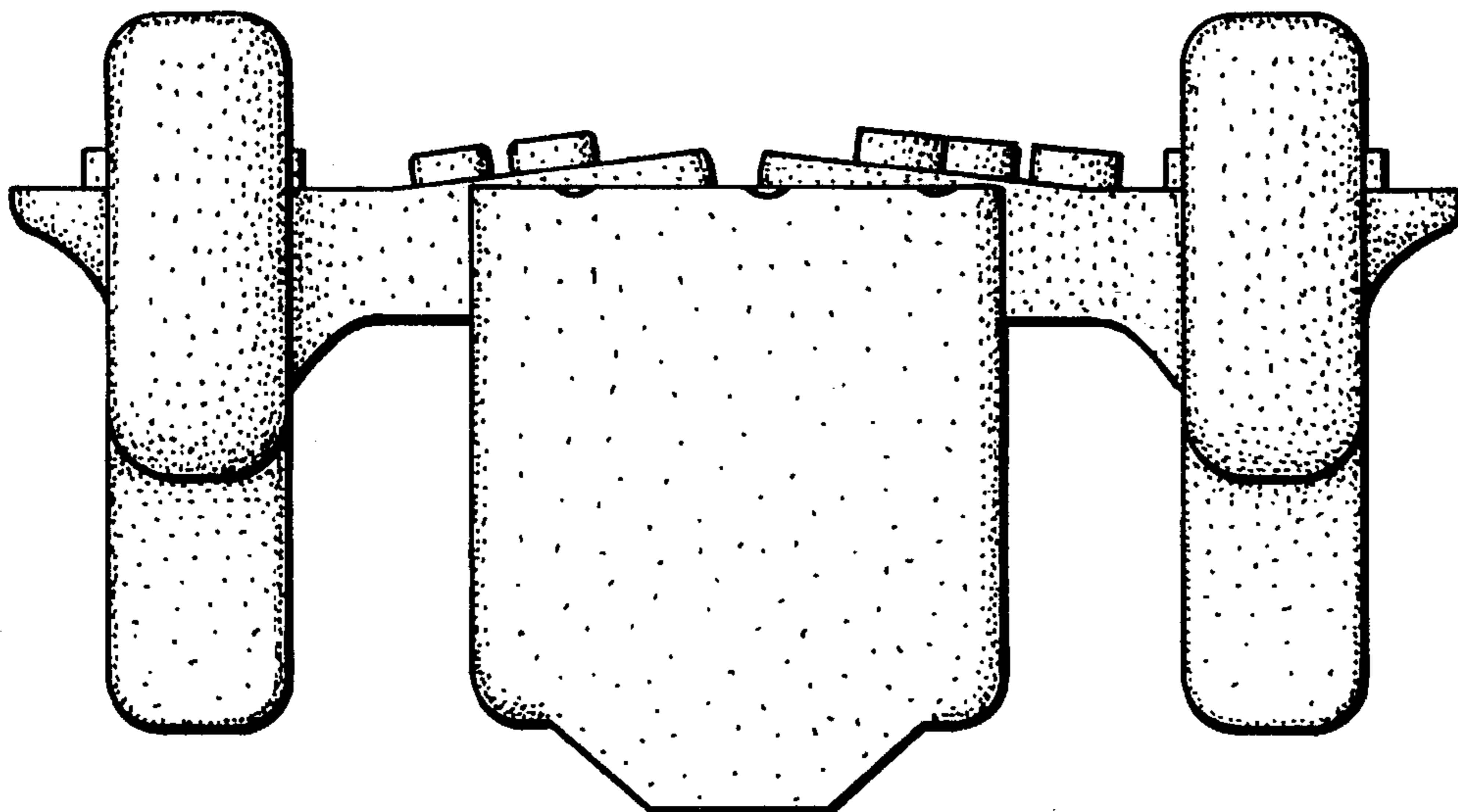
**FIG. 4**

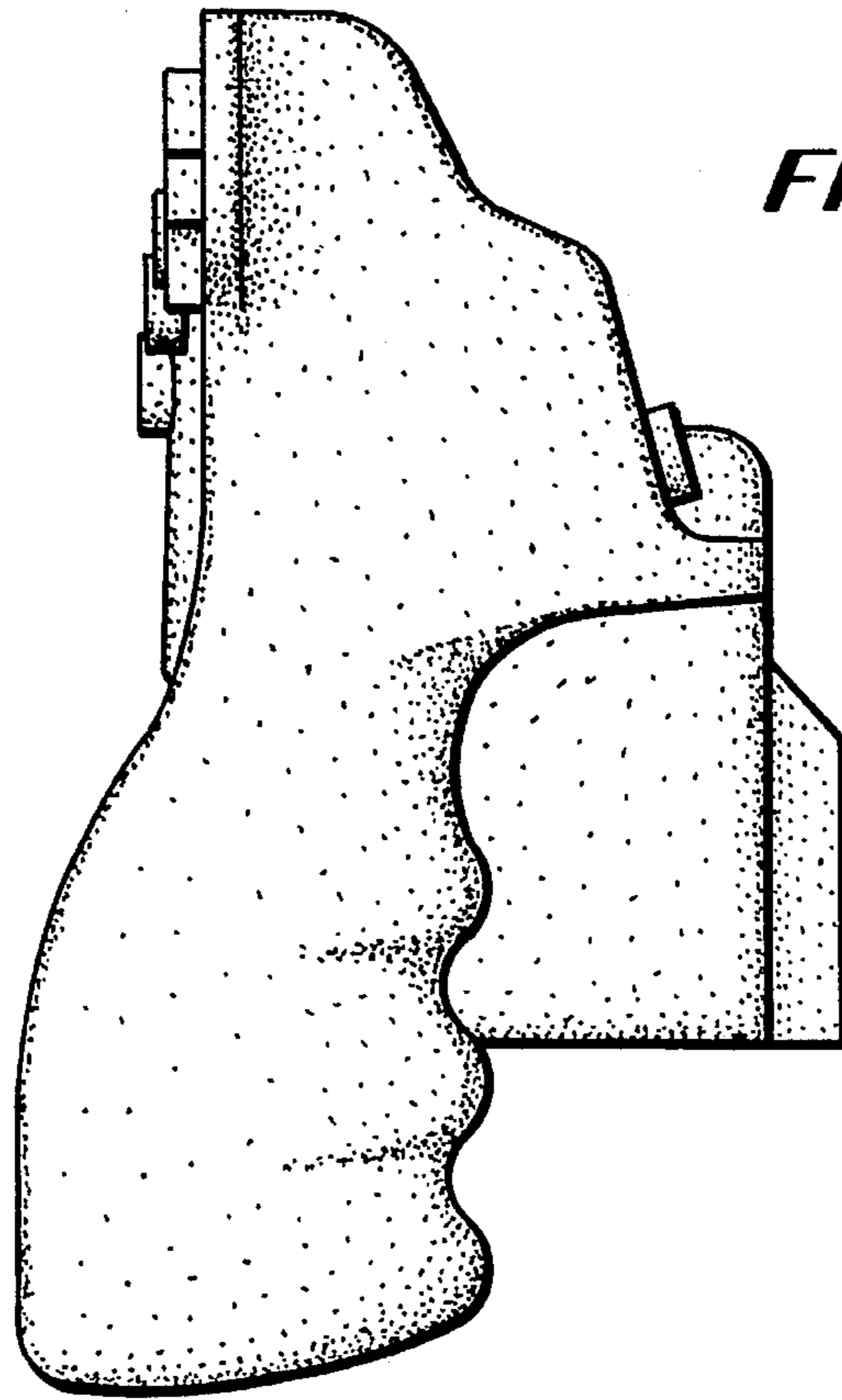


**FIG. 5**



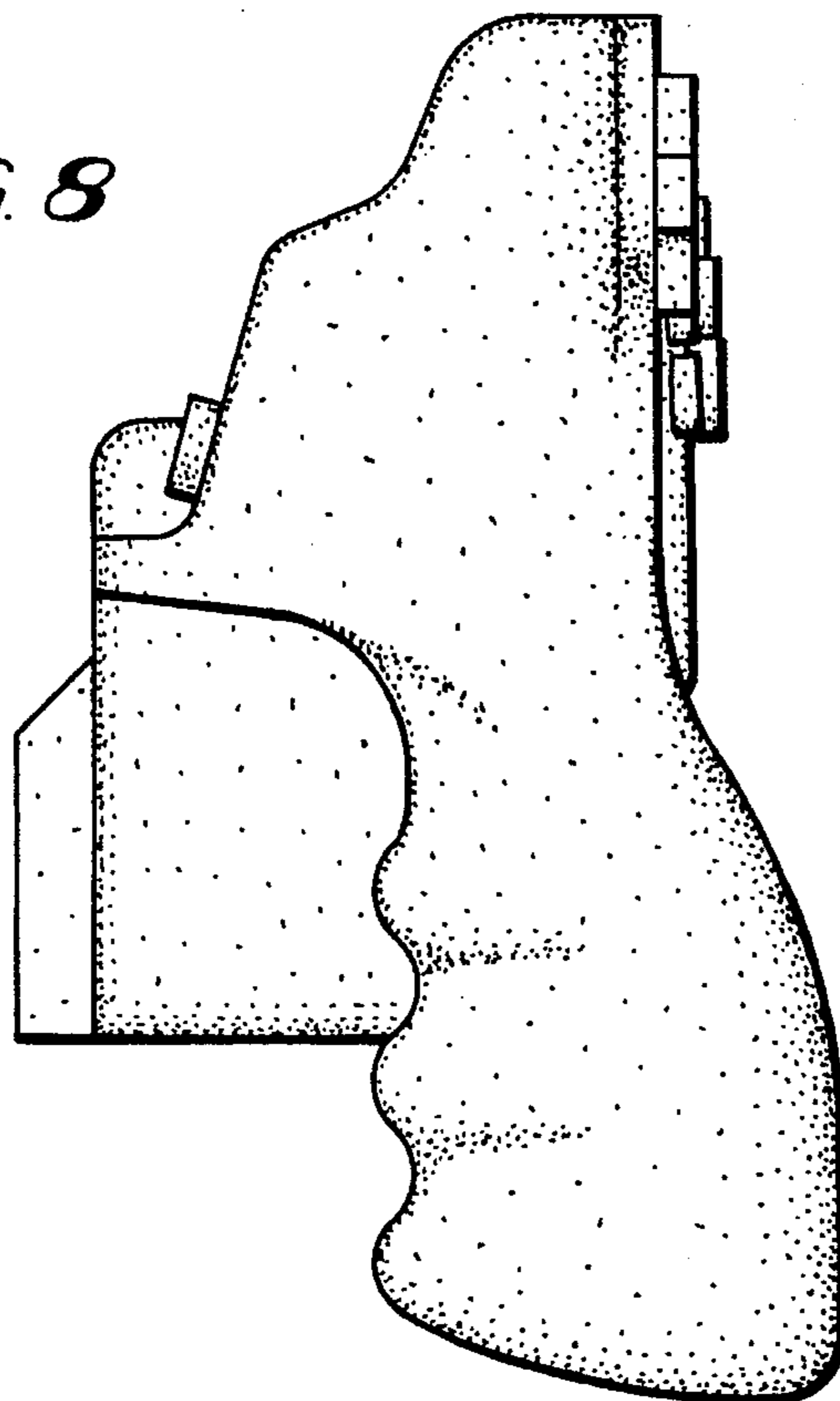
**FIG. 6**





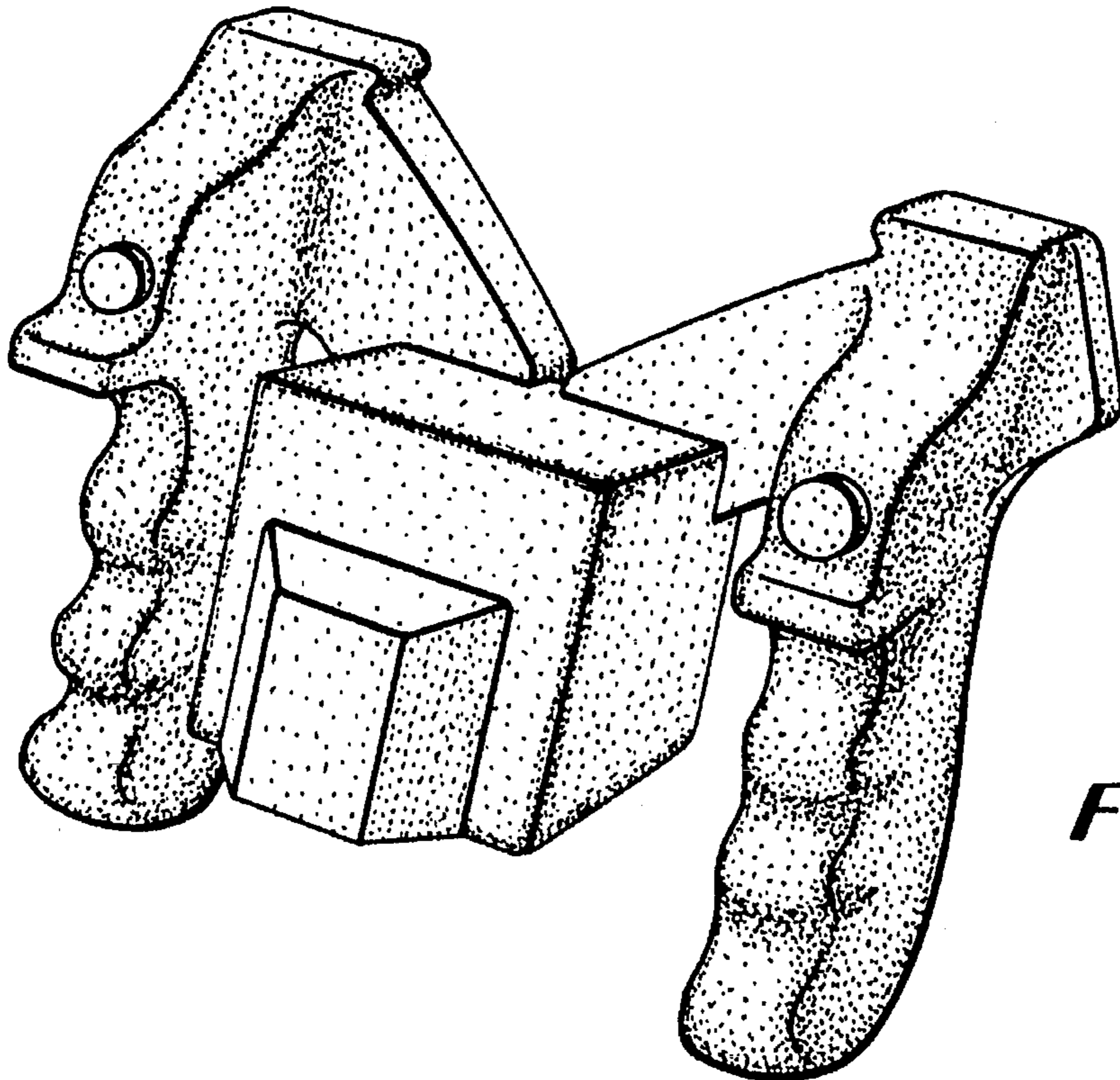
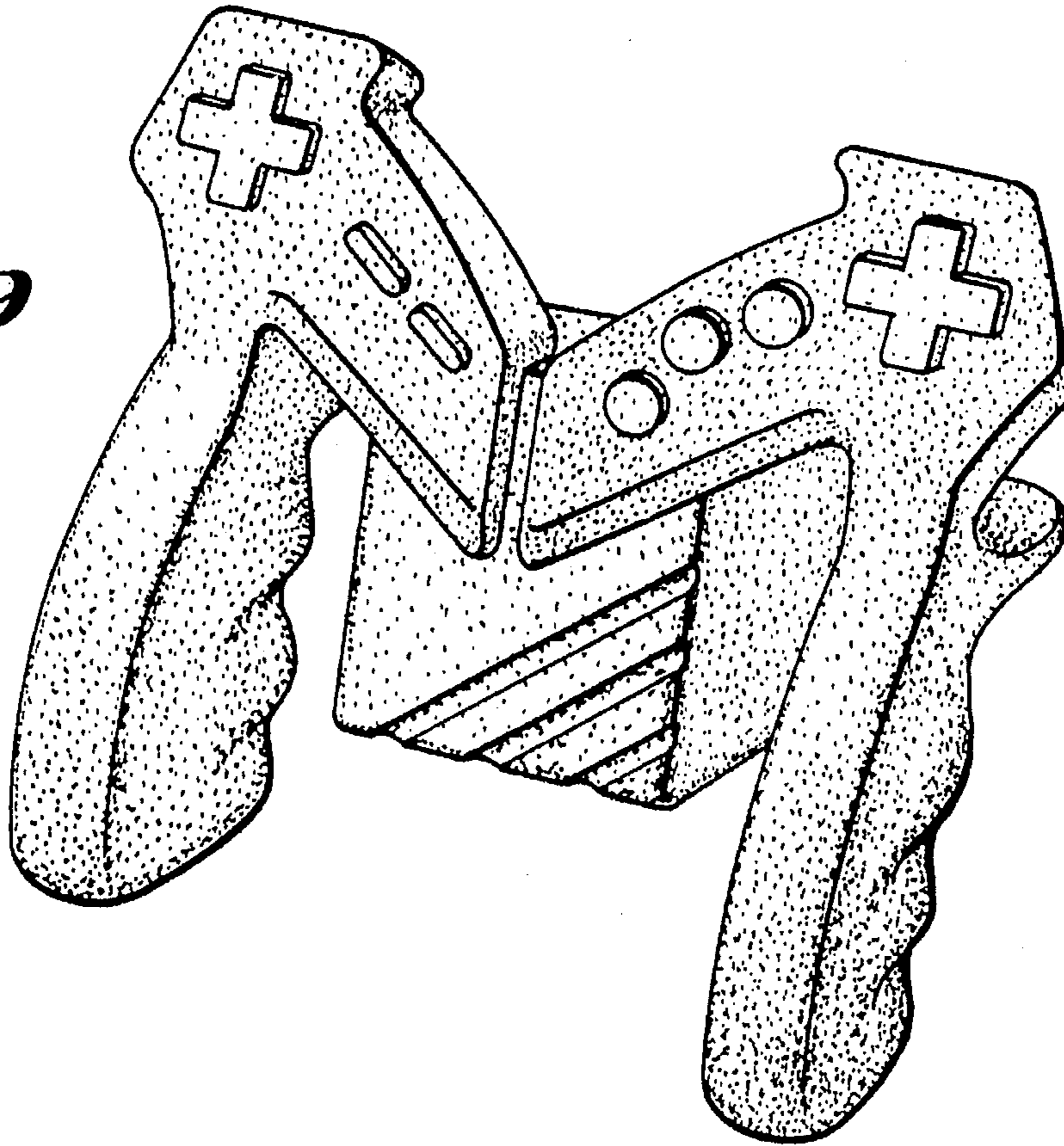
*FIG. 7*

*FIG. 8*



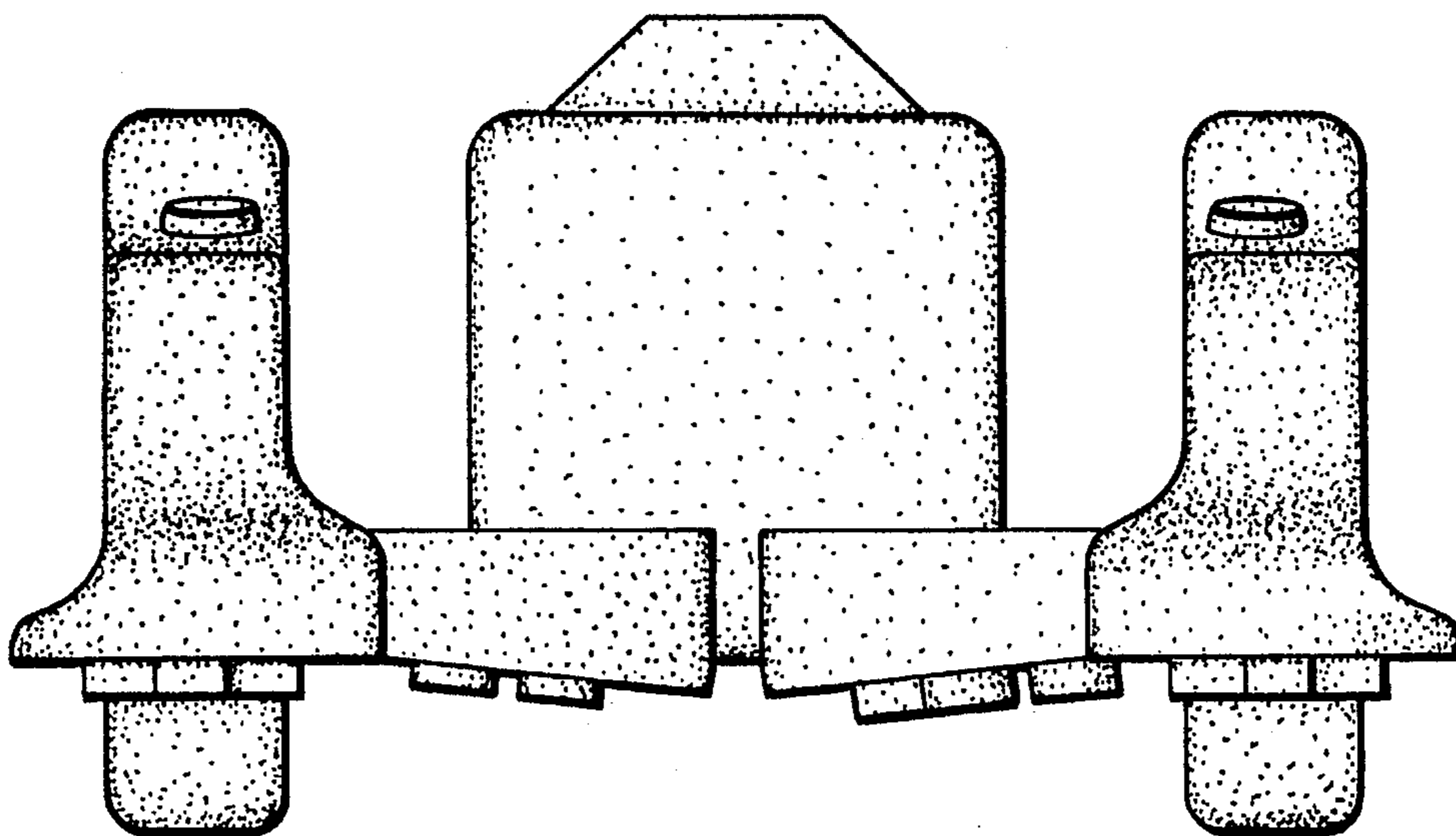


**FIG. 9**

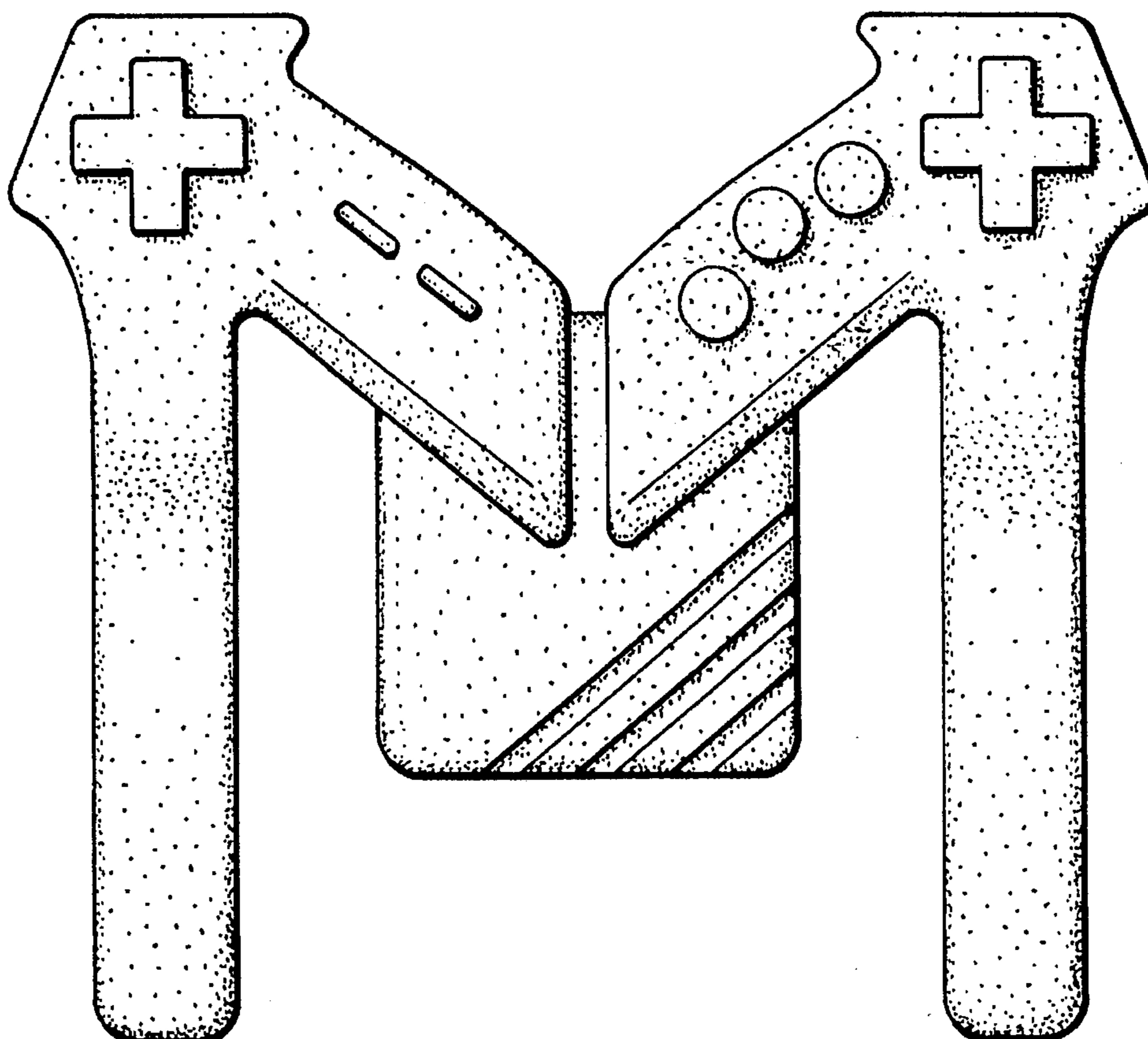


**FIG. 10**

**FIG. 11**

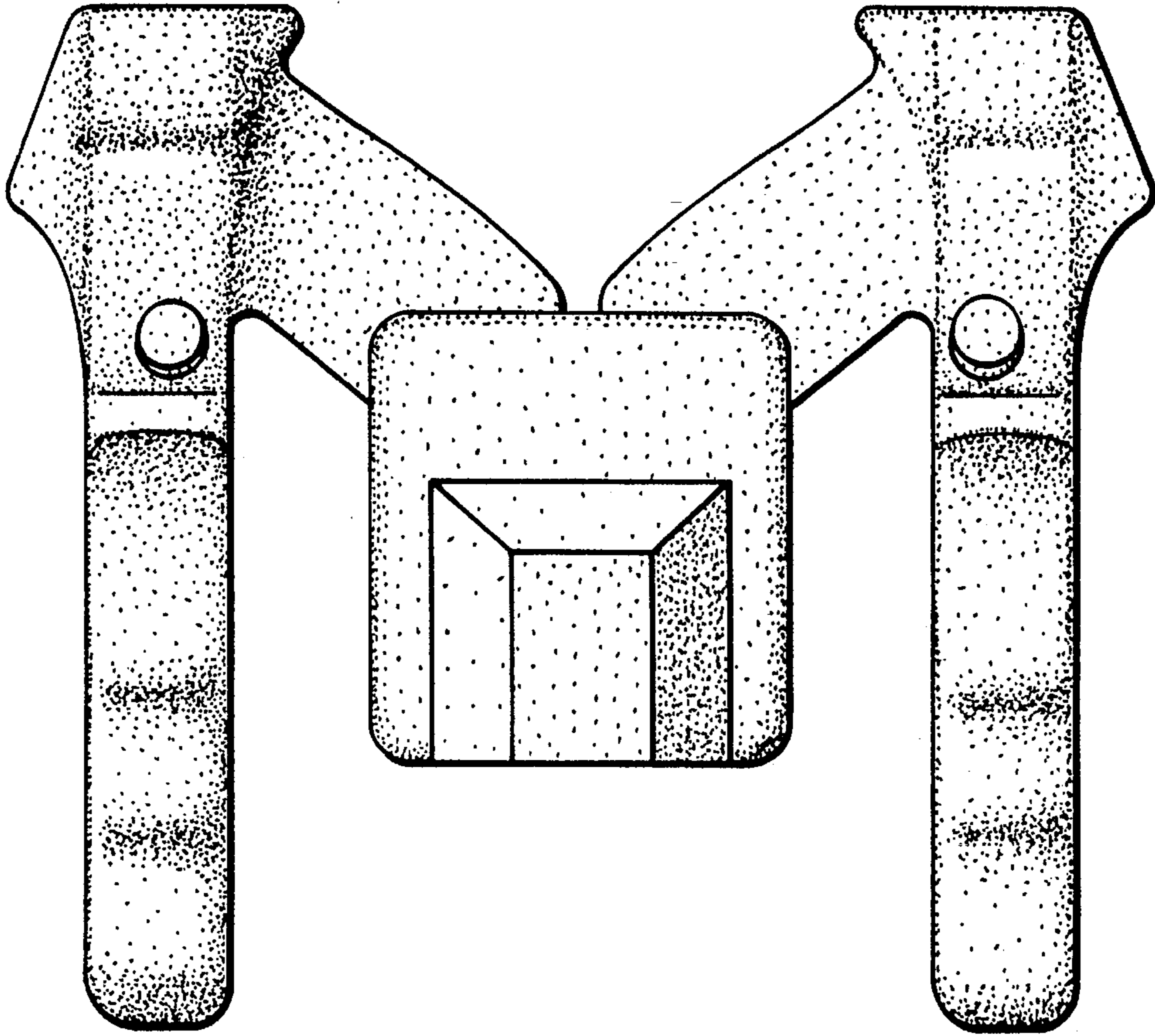


**FIG. 12**

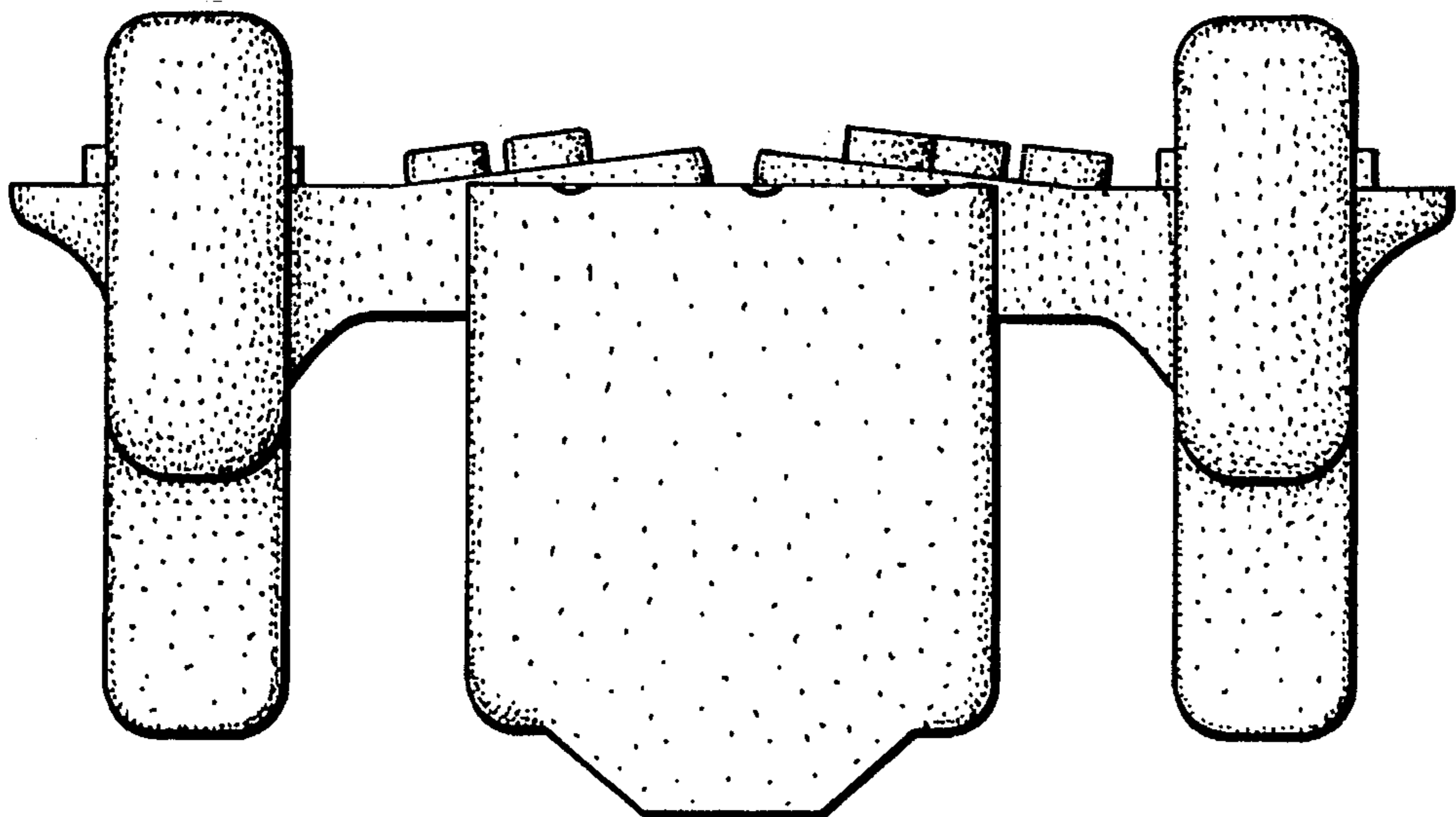




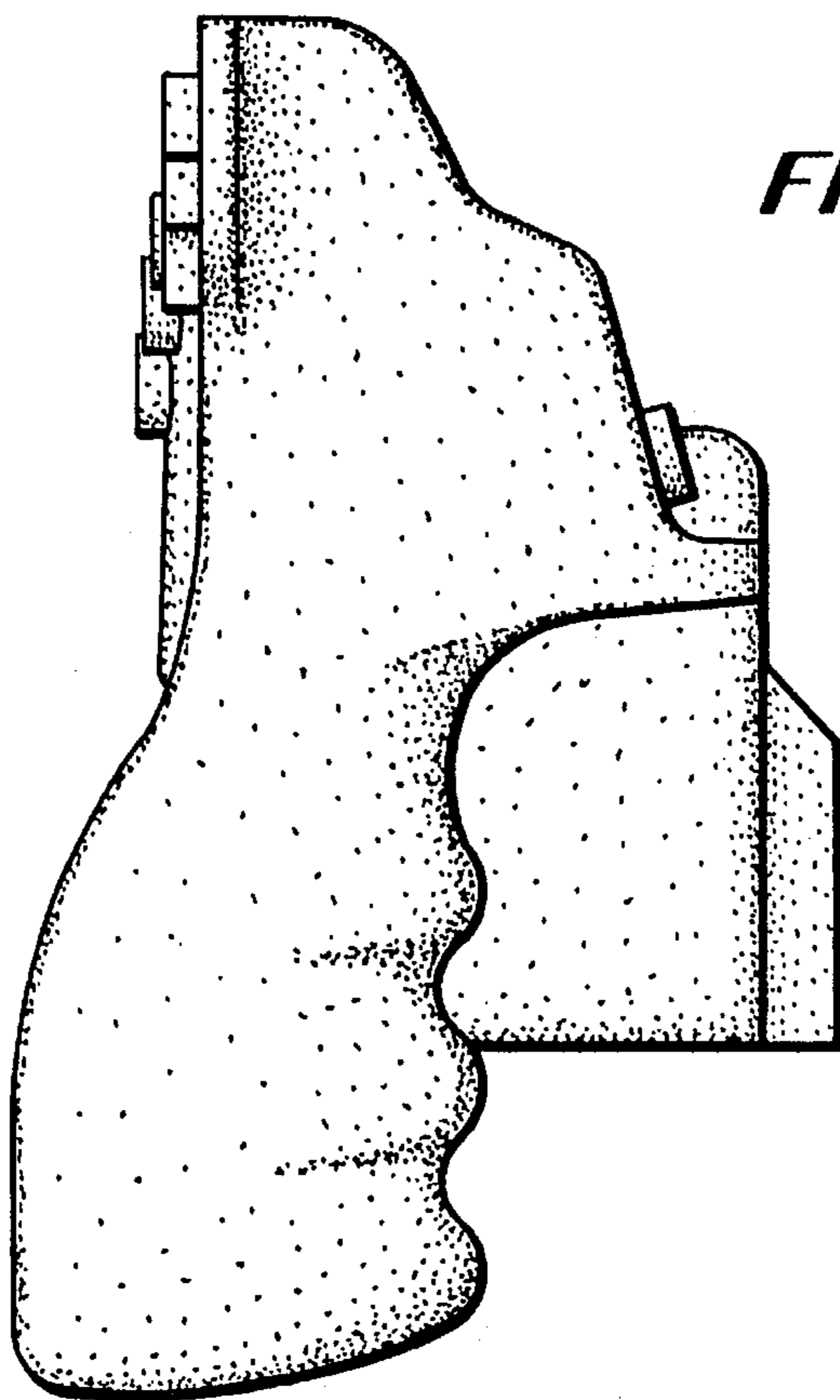
**FIG. 13**



**FIG. 14**







*FIG. 15*

*FIG. 16*

