



US00D375322S

# United States Patent [19]

Nagashima et al.

[11] Patent Number: **Des. 375,322**

[45] Date of Patent: **\*\*Nov. 5, 1996**

[54] **TONER BOTTLE CAP FOR COPYING MACHINE**

D. 332,280	1/1993	Yoshida et al.	.....	D18/43
D. 333,832	3/1993	Suzuki et al.	.....	D18/40
D. 356,814	3/1995	Suzuki et al.	.....	D18/43

[75] Inventors: **Toshiaki Nagashima; Ei Yamamoto,** both of Yokohama; **Kunihiko Kitayama,** Kawasaki, all of Japan

*Primary Examiner*—Nelson C. Holtje  
*Assistant Examiner*—Caron D. Veynar  
*Attorney, Agent, or Firm*—Fitzpatrick, Cella, Harper & Scinto

[73] Assignee: **Canon Kabushiki Kaisha,** Tokyo, Japan

[\*\*] Term: **14 Years**

## [57] CLAIM

[21] Appl. No.: **44,587**

The ornamental design for a toner bottle cap for copying machine, as shown and described.

[22] Filed: **Sep. 27, 1995**

## DESCRIPTION

### [30] Foreign Application Priority Data

FIG. 1 is a front elevational view of a toner bottle cap for copying machine showing our new design;  
FIG. 2 is a rear elevational view thereof;  
FIG. 3 is a top plan view thereof;  
FIG. 4 is a bottom plan view thereof;  
FIG. 5 is a left side elevational view thereof;  
FIG. 6 is a right side elevational view thereof; and,  
FIG. 7 is a perspective view thereof.

Mar. 28, 1995 [JP] Japan ..... 7-8427

[52] U.S. Cl. .... **D18/40; D18/43**

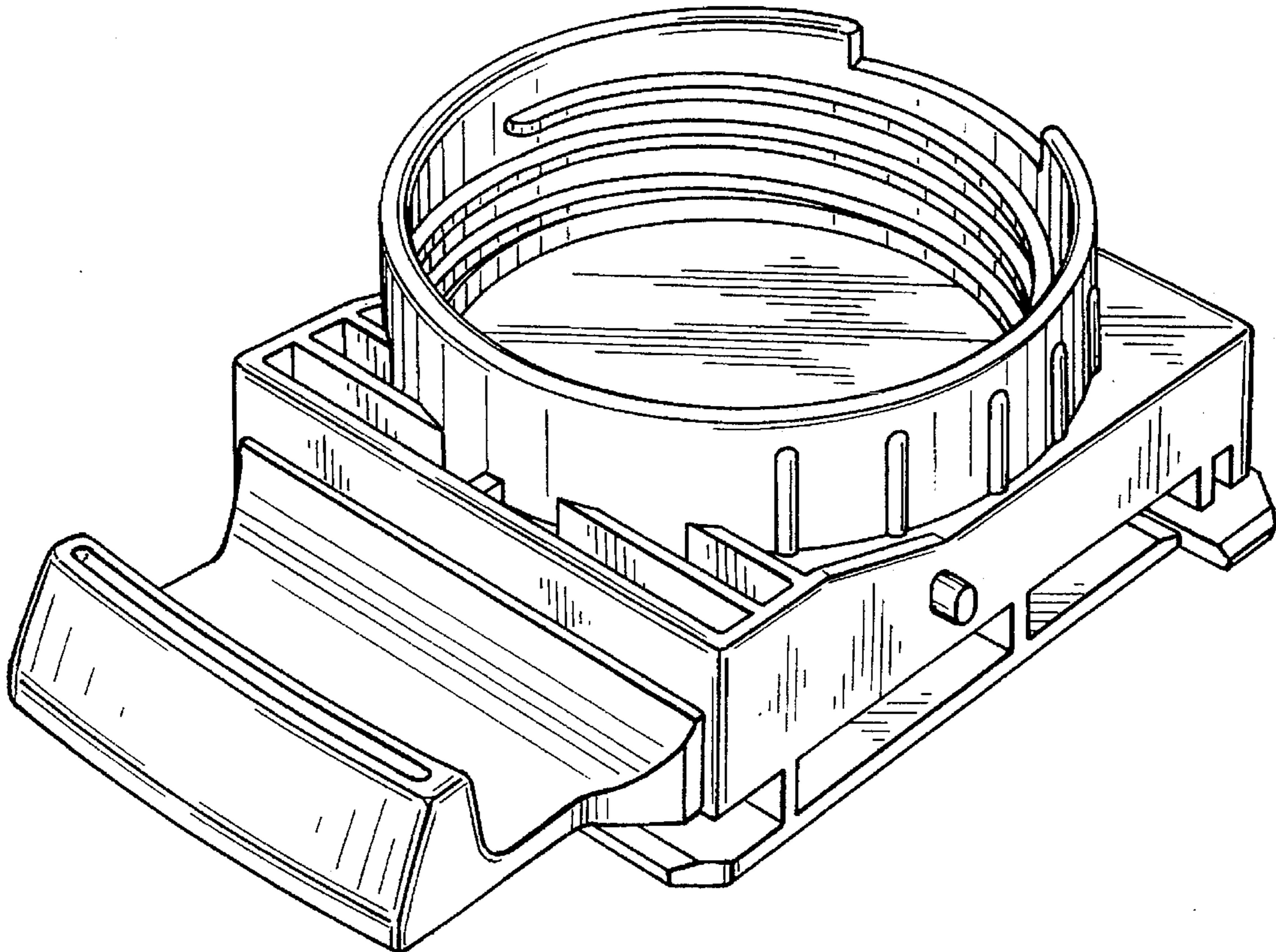
[58] Field of Search ..... D18/40, 43, 56;  
118/653, 657; 141/1; 206/216, 316, 446,  
461, 467; 222/DIG. 1, 166, 240, 325, 541;  
355/200, 245, 260, 298

### [56] References Cited

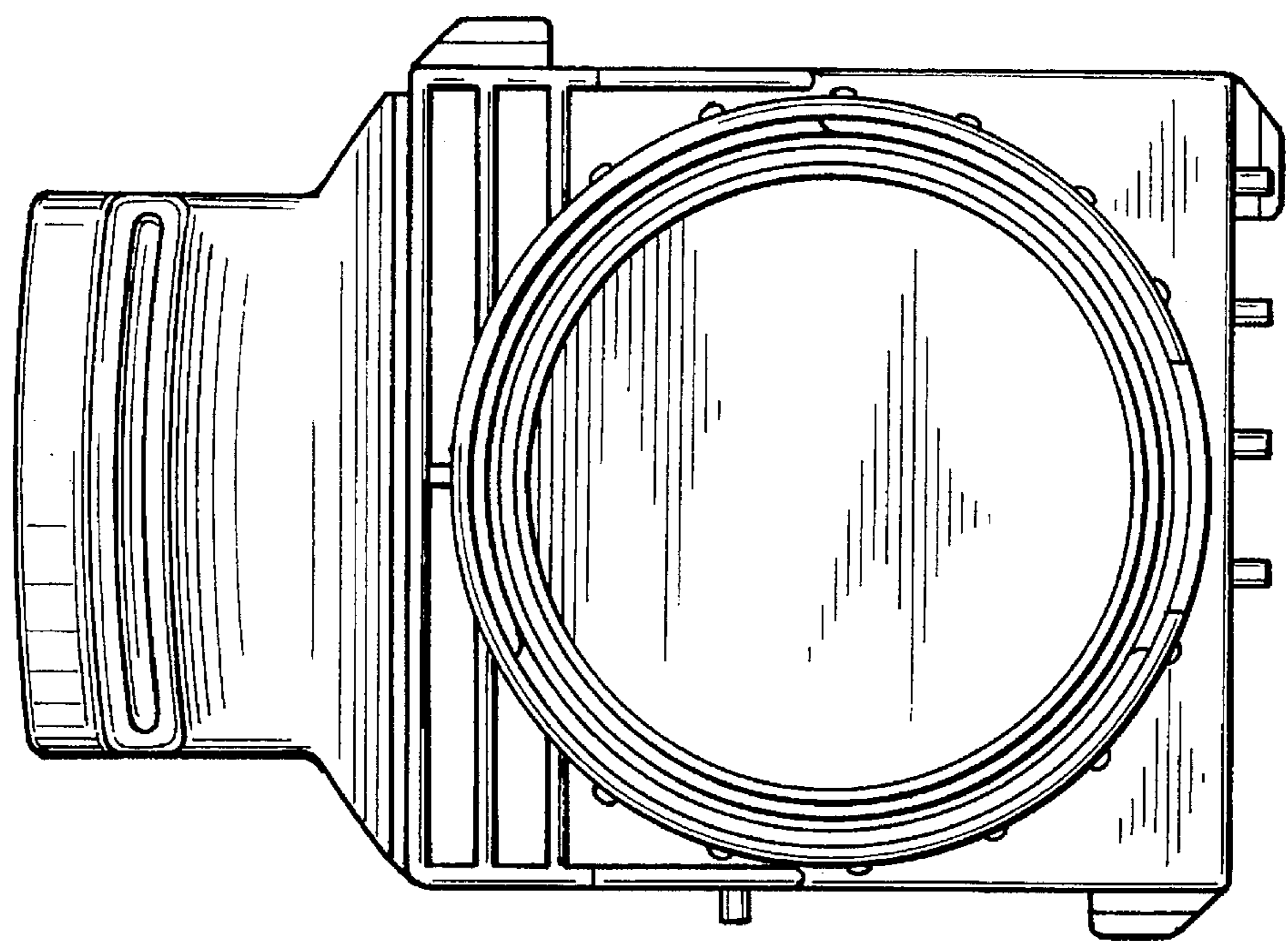
#### U.S. PATENT DOCUMENTS

D. 329,659 9/1992 Mizukami et al. .... D18/40 X

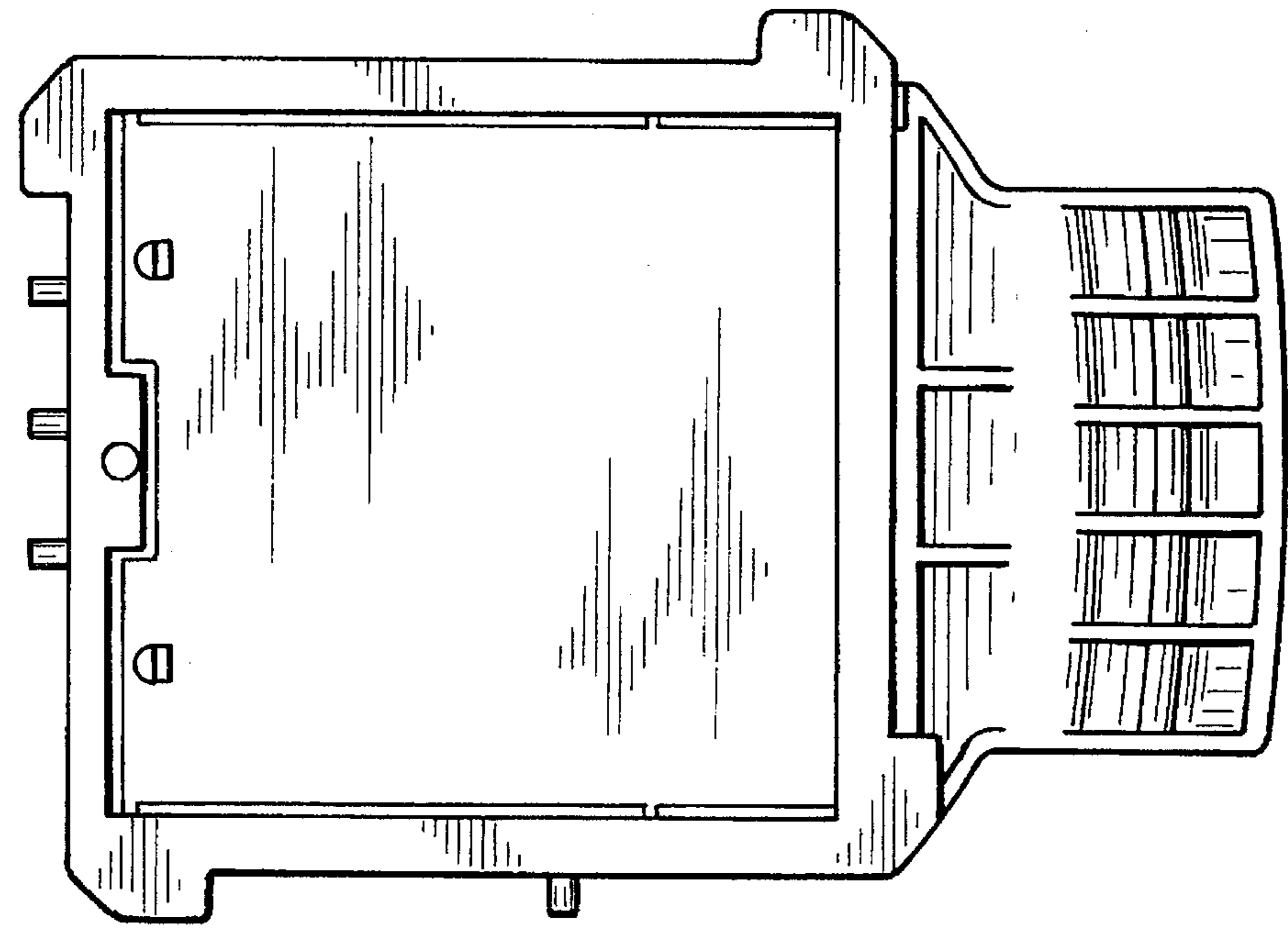
**1 Claim, 3 Drawing Sheets**



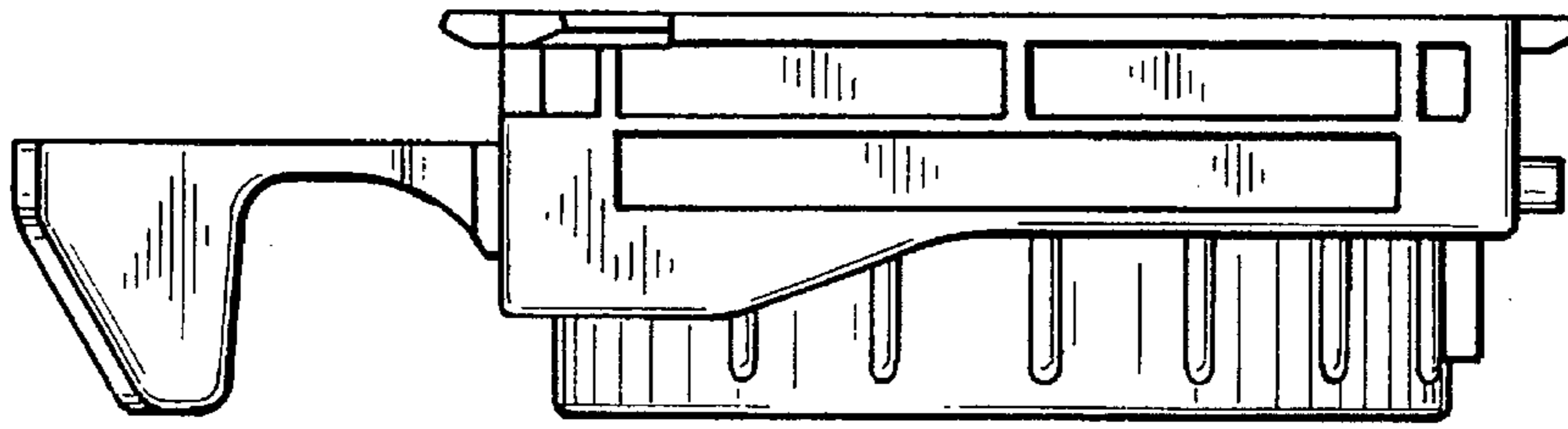
*FIG. 1*



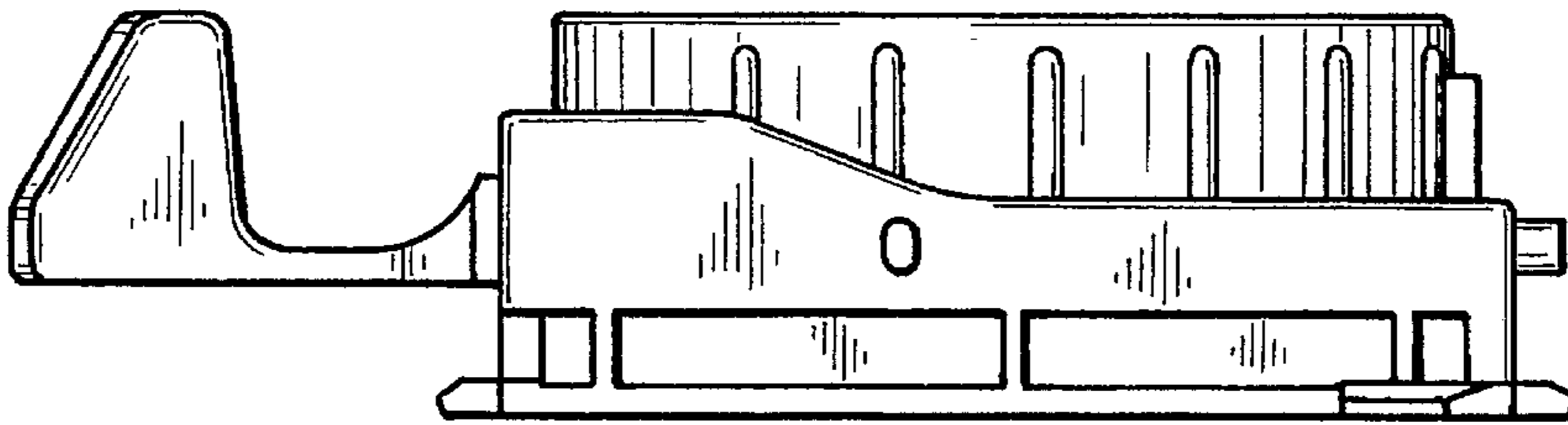
*FIG. 2*



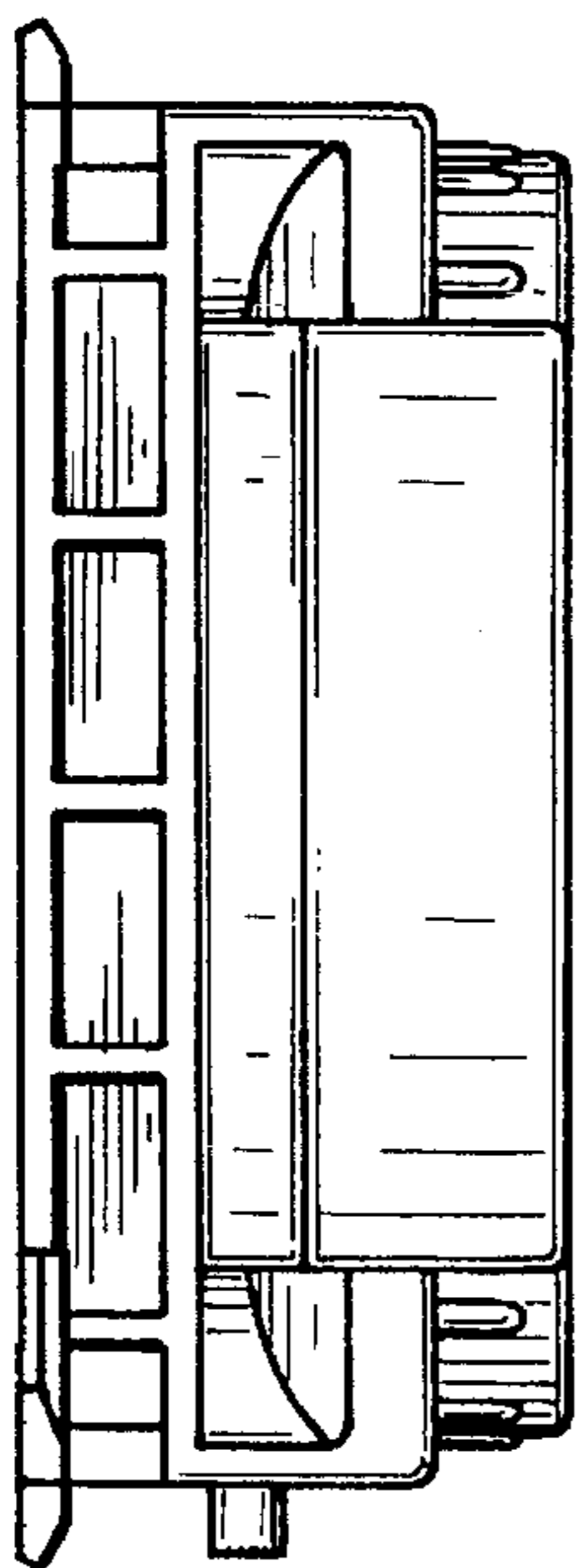
*FIG. 3*



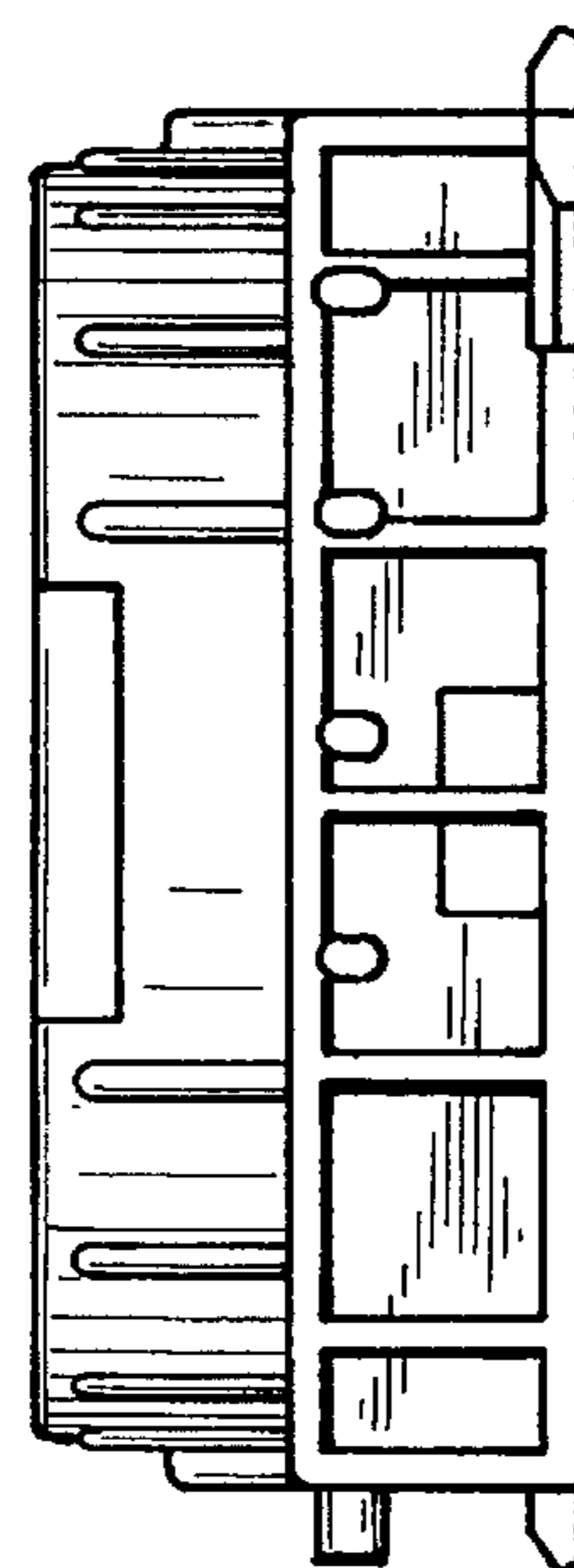
*FIG. 4*



*FIG. 5*



*FIG. 6*



*FIG. 7*

