



US00D375318S

# United States Patent [19]

[11] Patent Number: **Des. 375,318**

Ishii

[45] Date of Patent: **\*\*Nov. 5, 1996**

## [54] COMBINED VIDEO TAPE RECORDER AND CAMERA

*Attorney, Agent, or Firm—Foley & Lardner*

[75] Inventor: **Daisuke Ishii**, Tokyo, Japan

## [57] CLAIM

[73] Assignee: **Sony Corporation**, Tokyo, Japan

The ornamental design for a combined video tape recorder and camera, as shown and described.

[\*\*] Term: **14 Years**

## DESCRIPTION

[21] Appl. No.: **35,625**

FIG. 1 is a top, front perspective view of a combined video tape recorder and camera showing my new design;

[22] Filed: **Mar. 3, 1995**

[52] U.S. Cl. .... **D16/202**

FIG. 2 is a top, rear perspective view thereof, the viewing screen shown in an open position;

[58] Field of Search ..... **D16/200-208;**  
348/373-376; 354/75, 76, 82, 288; 358/906;  
H04N 2/225

FIG. 3 is a top, rear perspective view thereof, the viewing screen shown in the first alternate position;

## [56] References Cited

### U.S. PATENT DOCUMENTS

- D. 342,540 12/1993 Mori et al. .... D16/202
- D. 346,615 5/1994 Sumita ..... D126/202
- D. 356,325 3/1995 Sogabe ..... D16/202
- D. 362,452 9/1995 Matsumura ..... D16/202

FIG. 4 is a top plan view thereof;

FIG. 5 is a left side elevational view thereof;

FIG. 6 is a front elevational view thereof;

FIG. 7 is a right side elevational view thereof;

### FOREIGN PATENT DOCUMENTS

- 4-84571 3/1992 Japan ..... H04N 5/225

FIG. 8 is a bottom plan view thereof;

FIG. 9 is a rear elevational view thereof; and,

### OTHER PUBLICATIONS

Viva Video, Apr. 30, 1990 p. 68 (Videocamera GR-A1).

FIG. 10 is a top, rear perspective view thereof, the viewing screen shown in the second alternate position.

*Primary Examiner—Ted Shooman*  
*Assistant Examiner—Adir Aronovich*

**1 Claim, 4 Drawing Sheets**

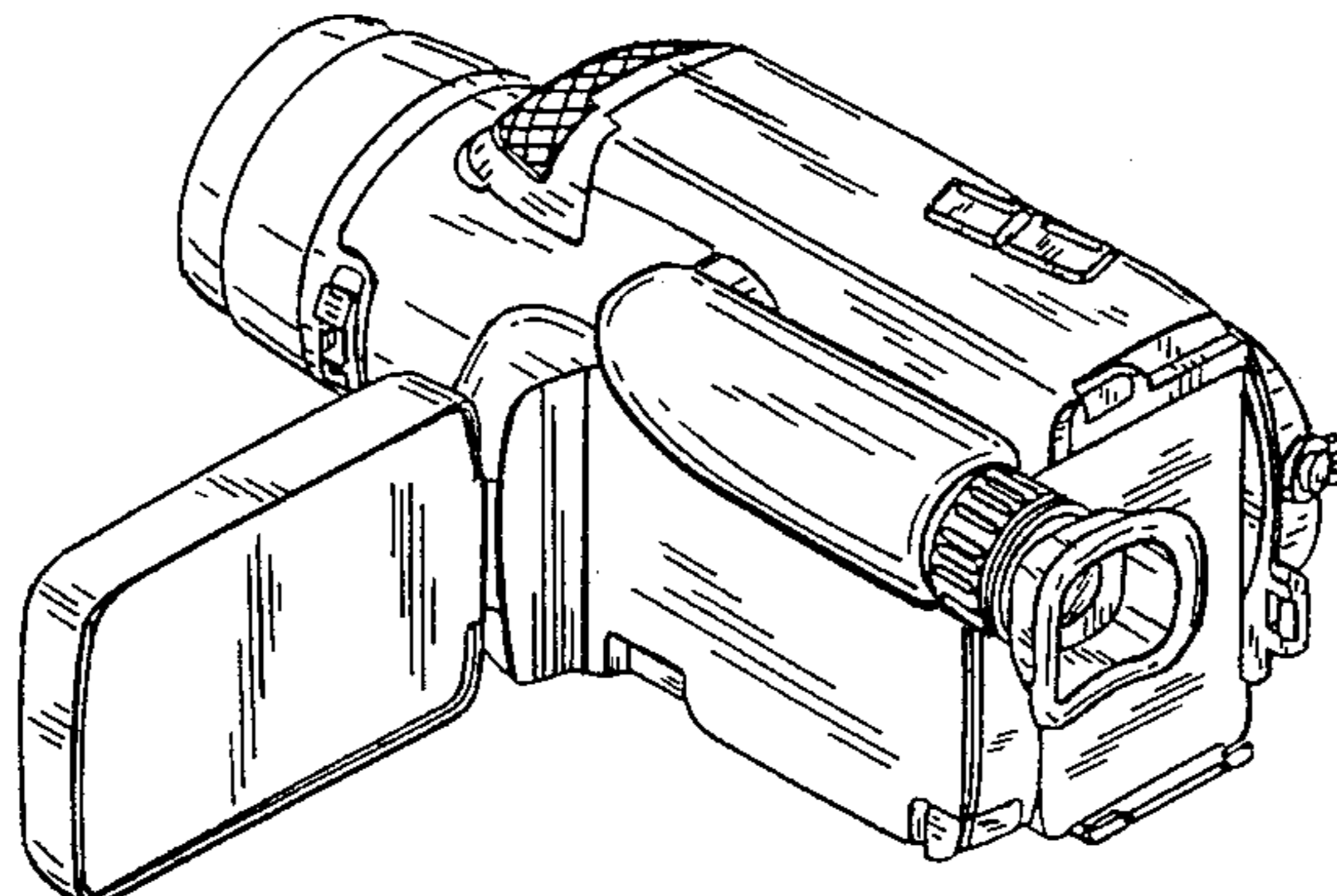
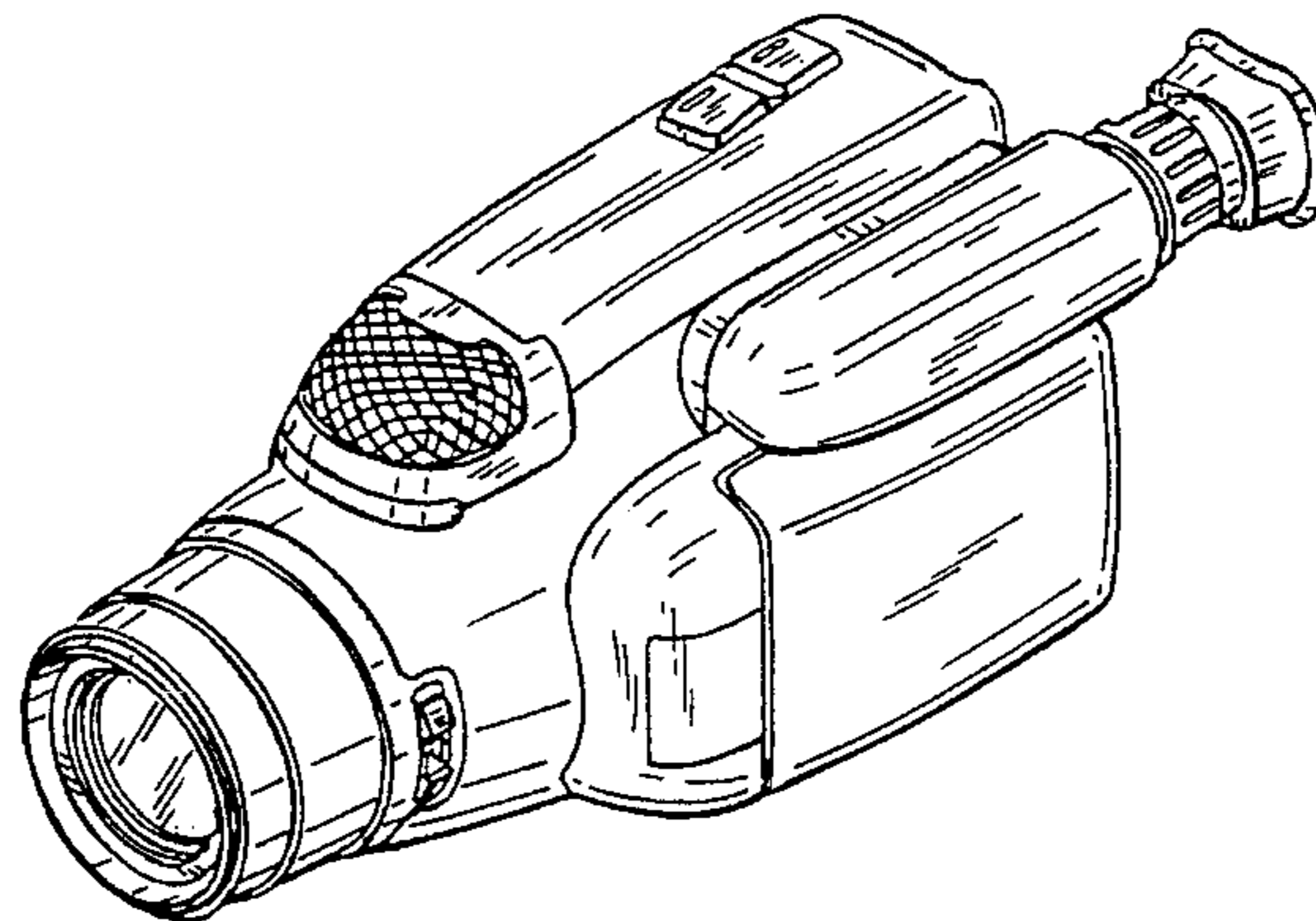


FIG. 2

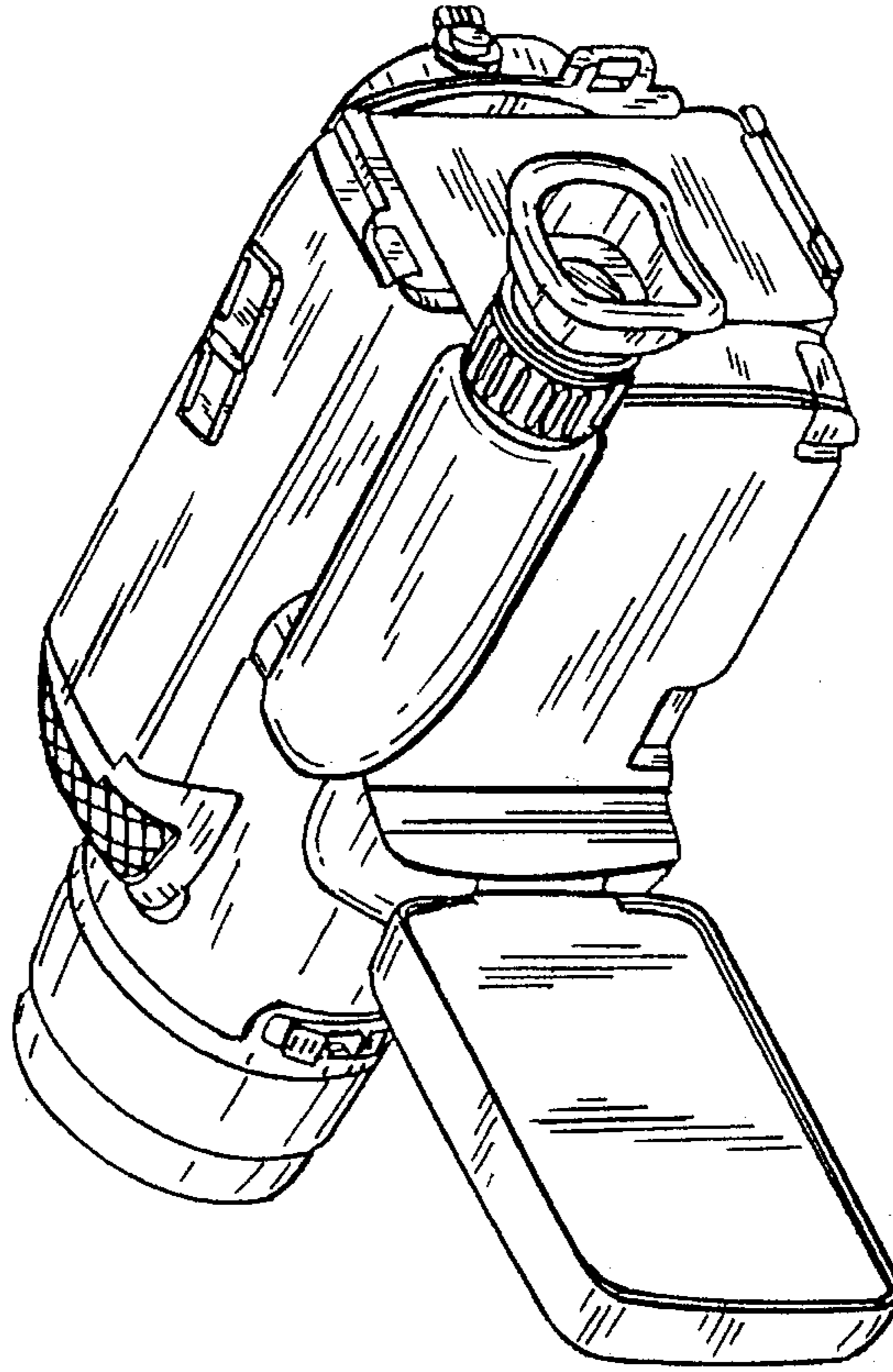


FIG. 1

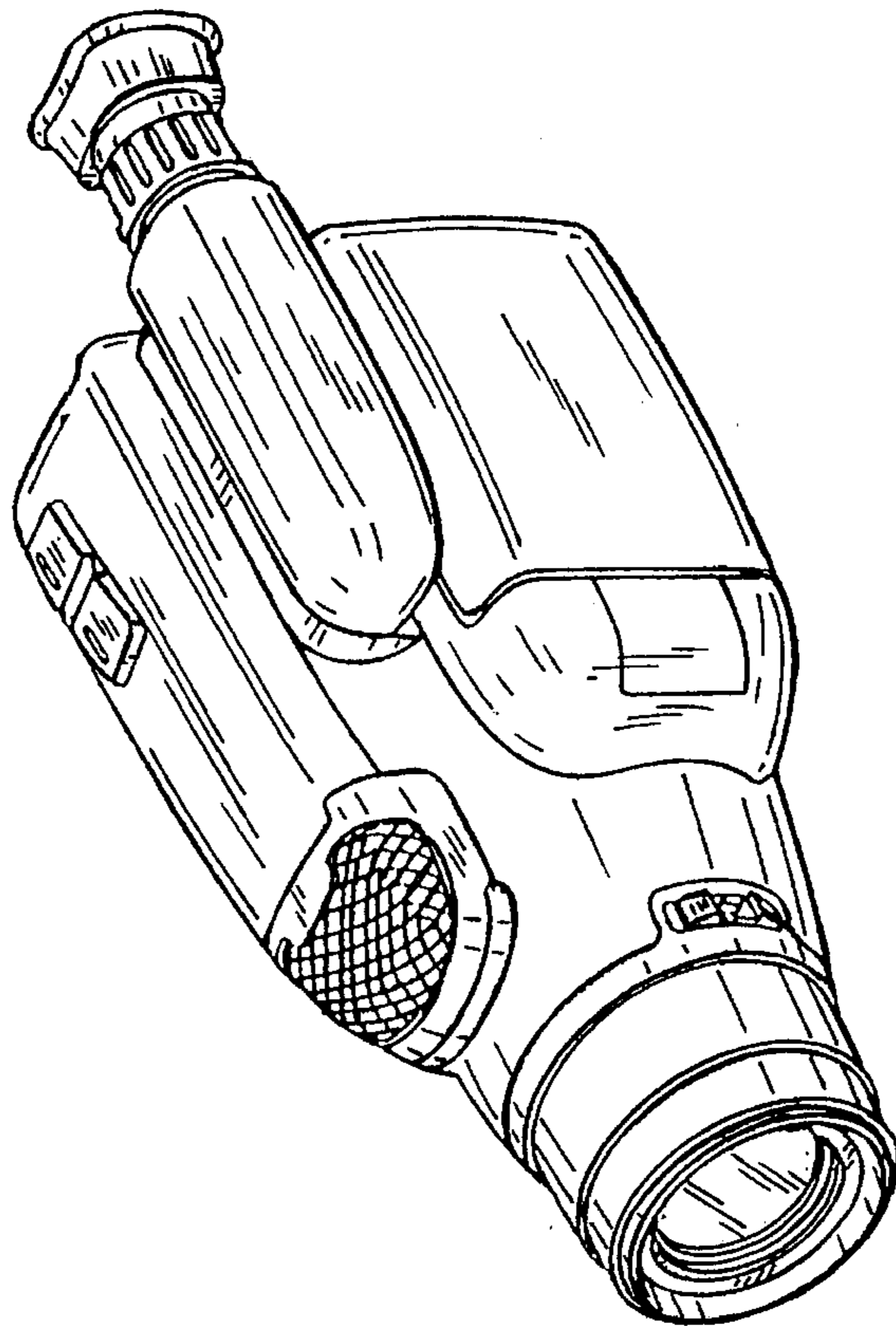


FIG. 3

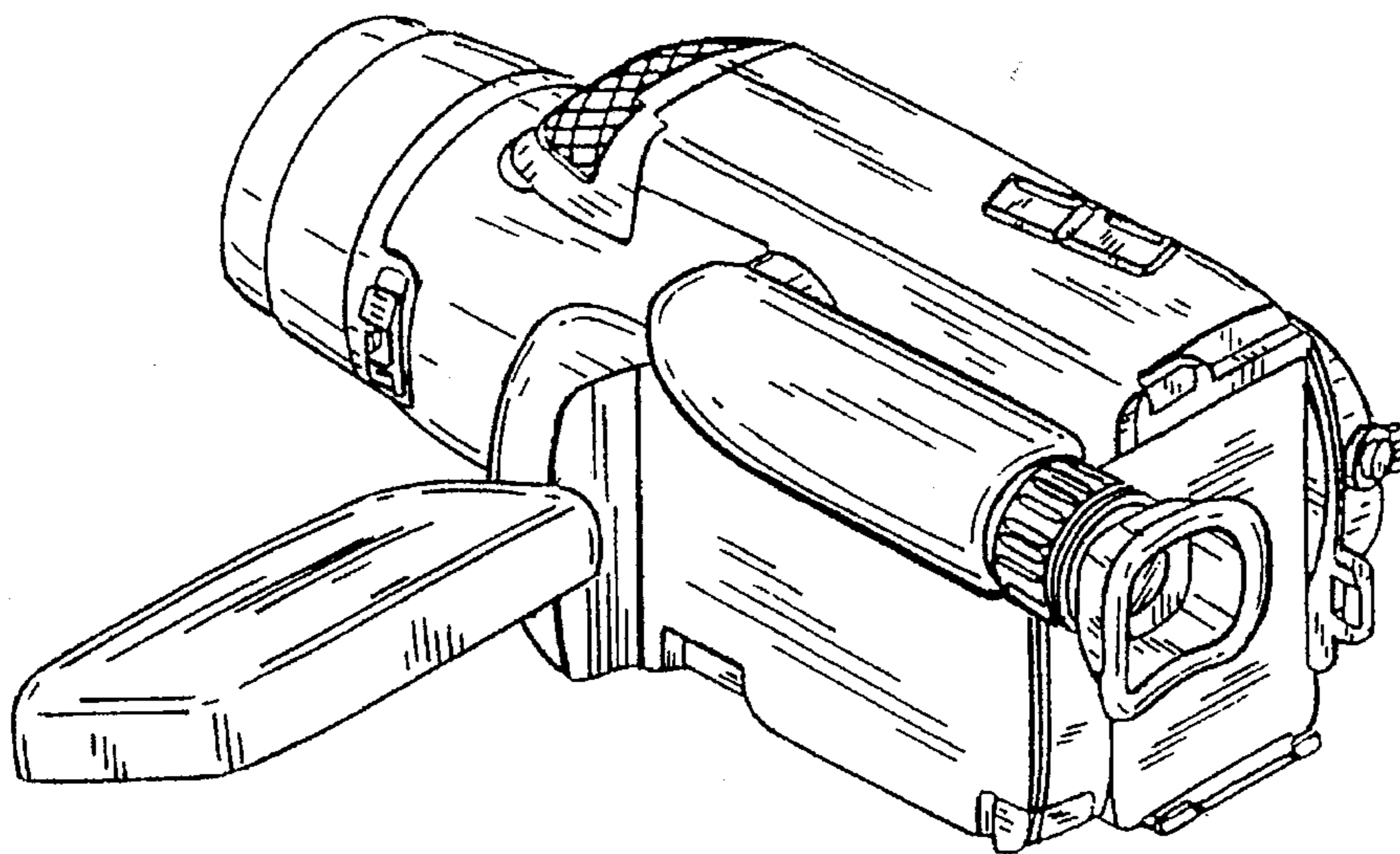


FIG. 4

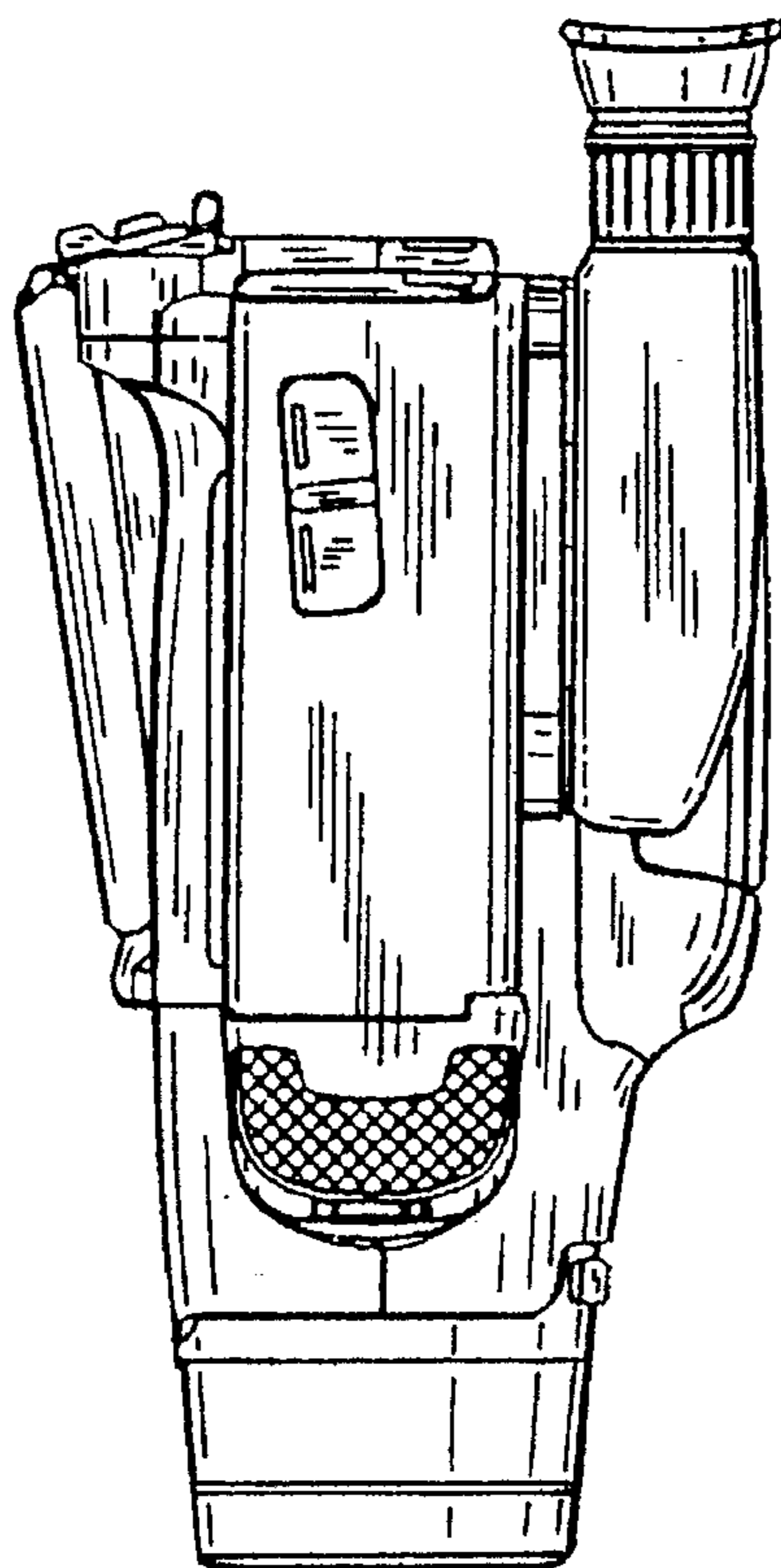


FIG. 5

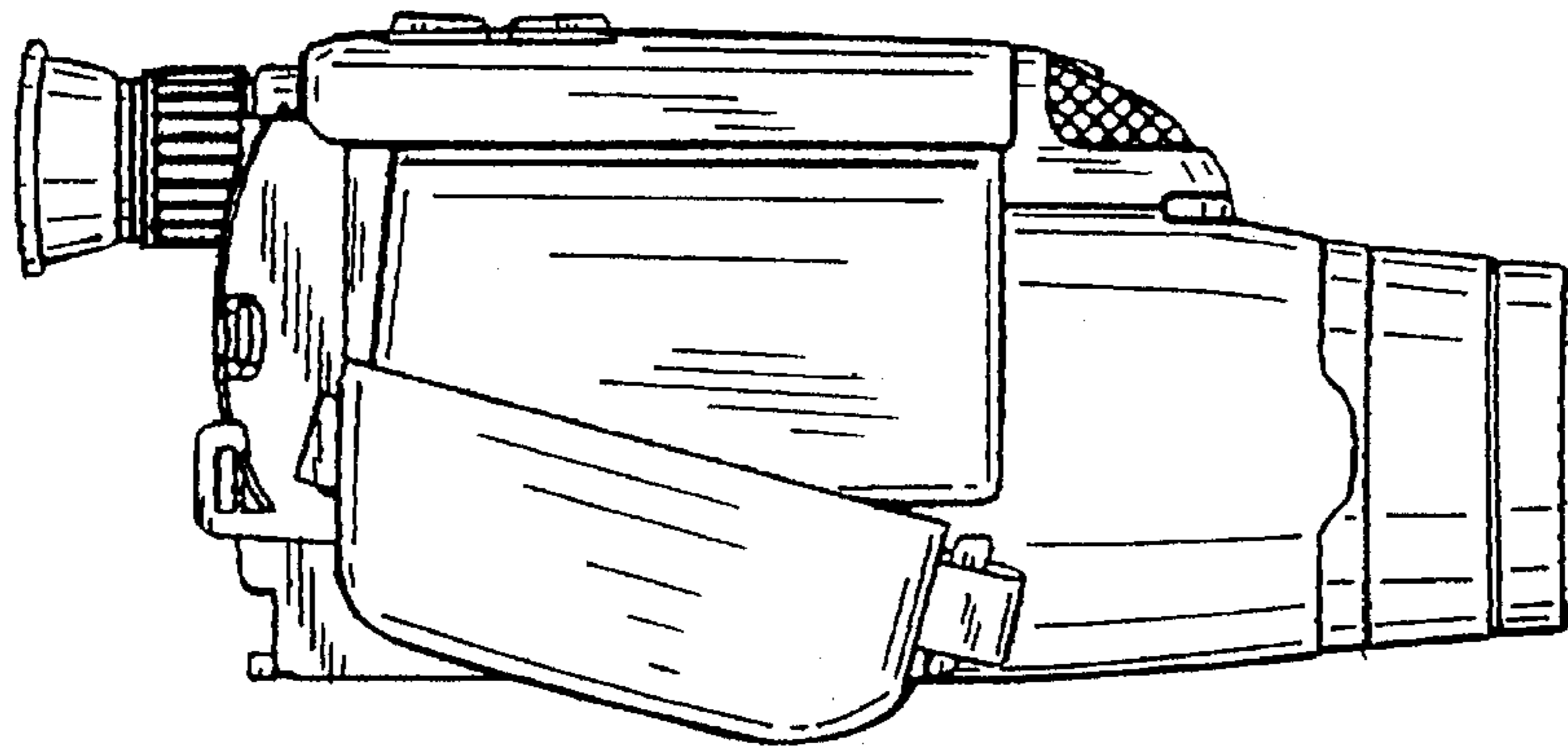


FIG. 6

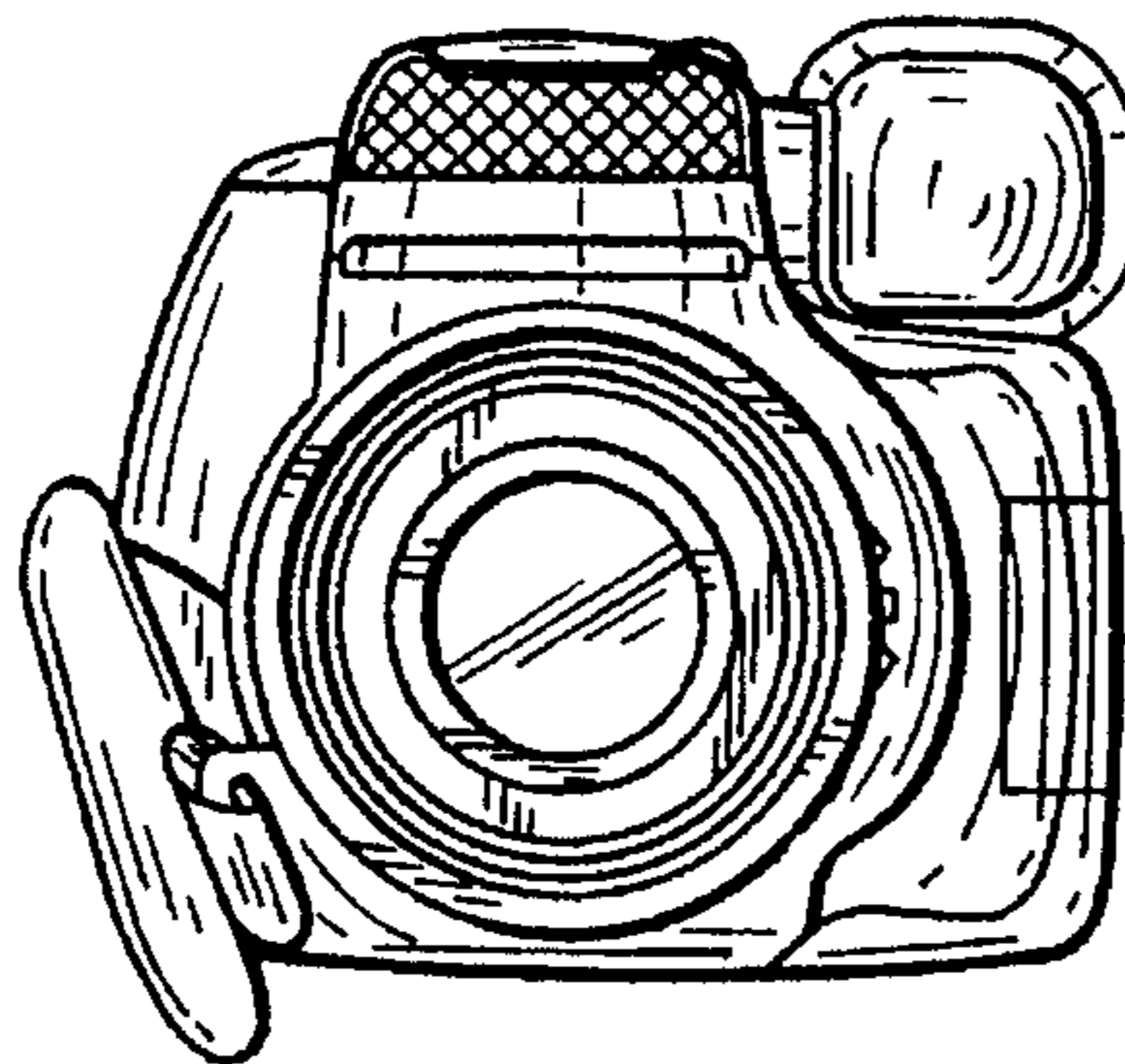
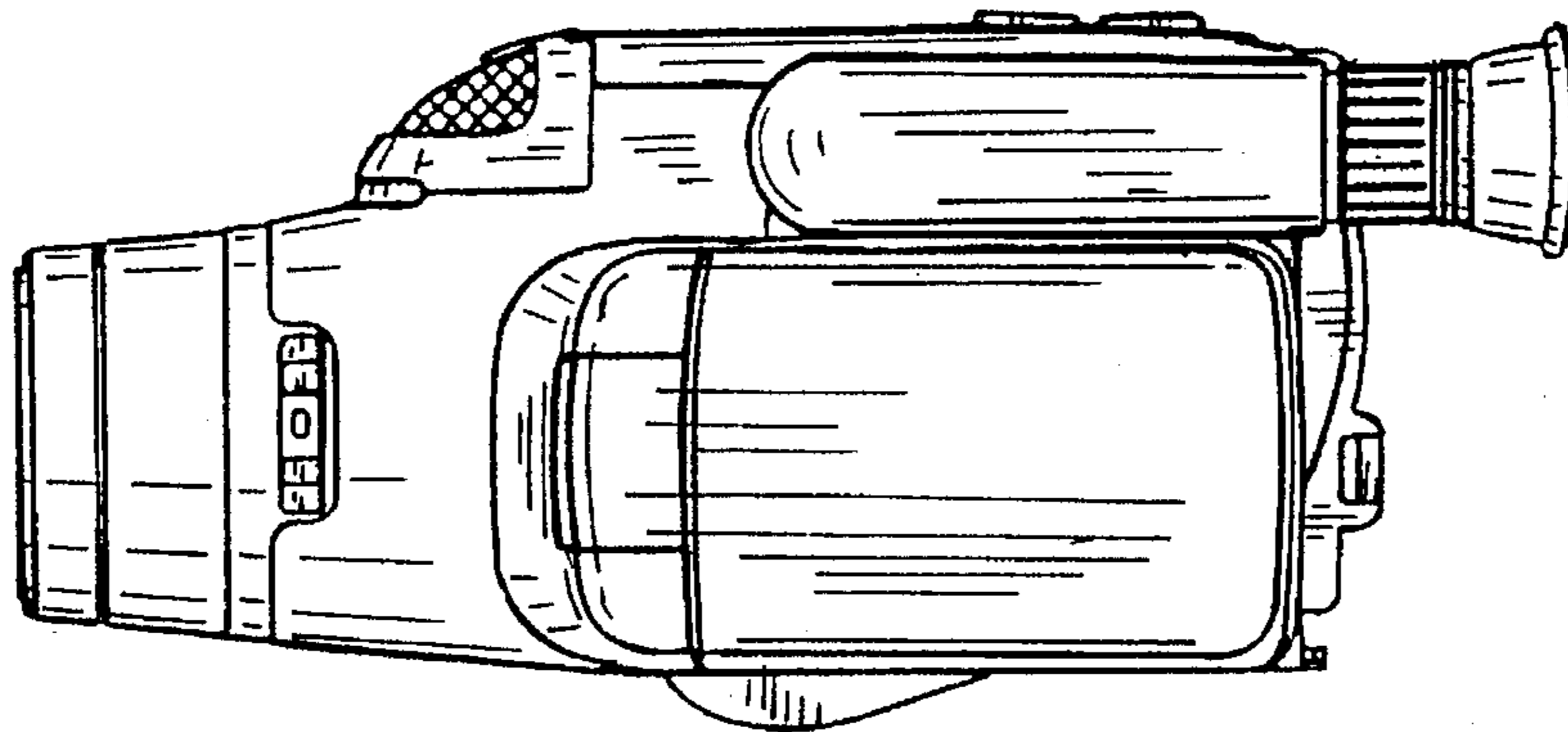


FIG. 7



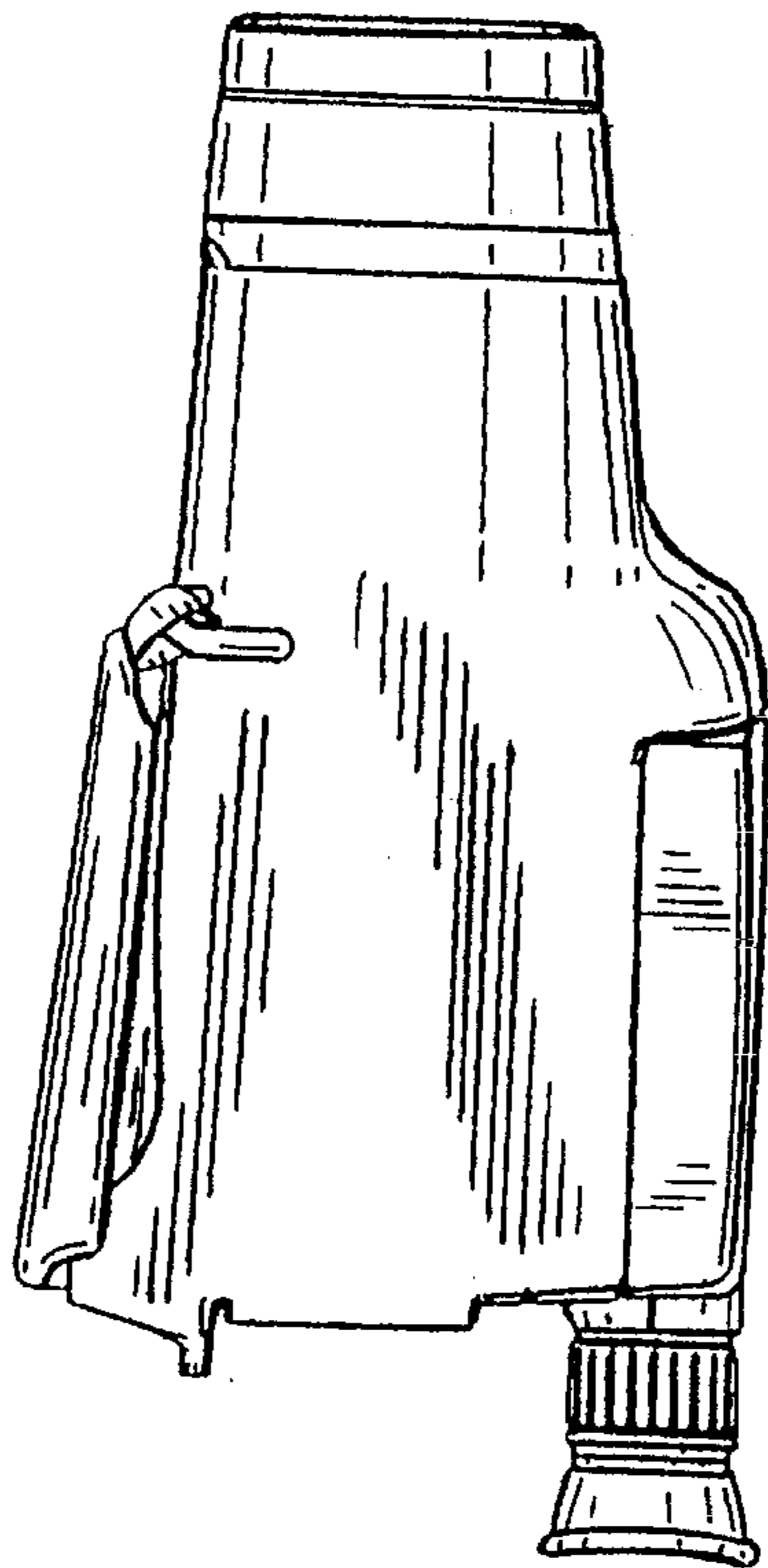


FIG. 8

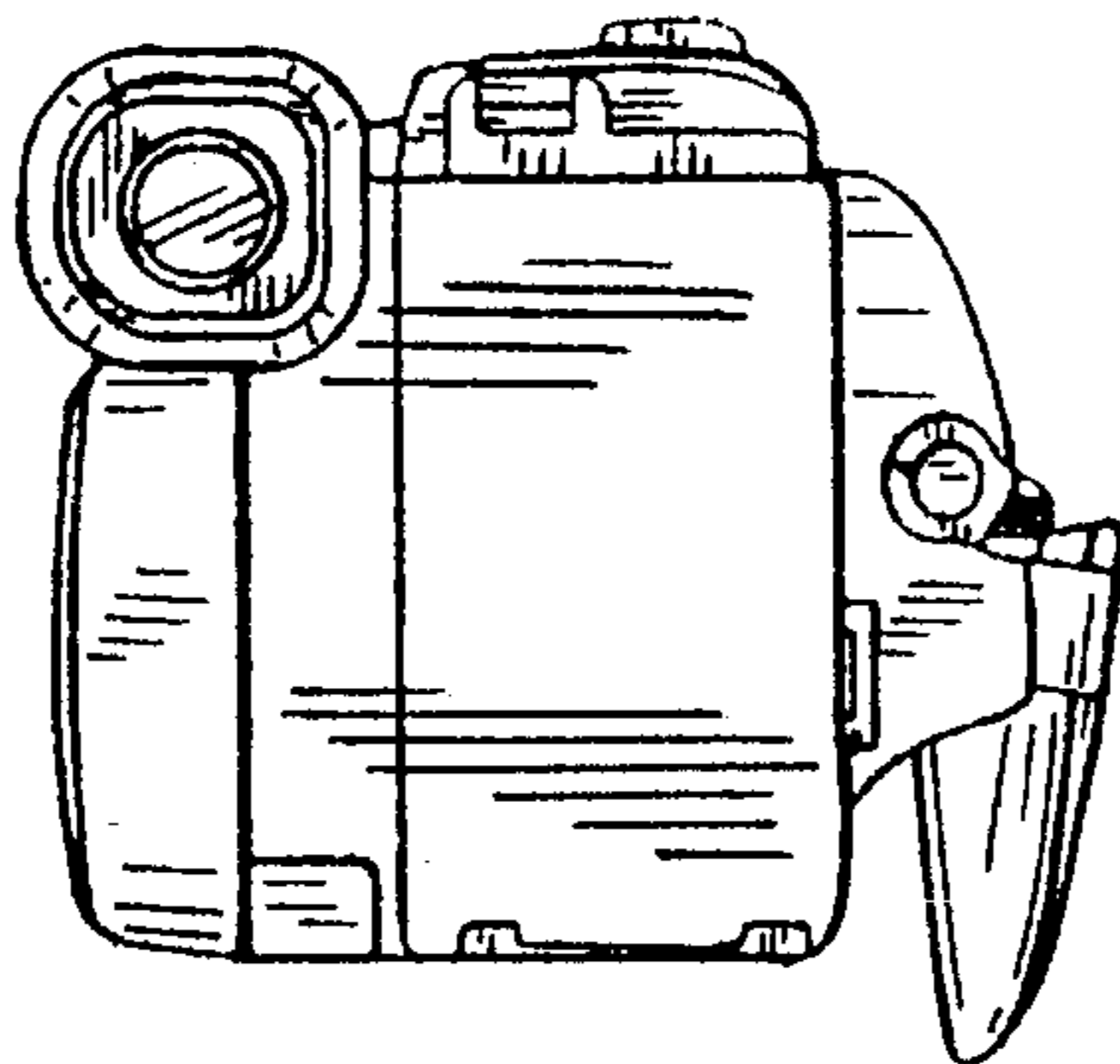


FIG. 9

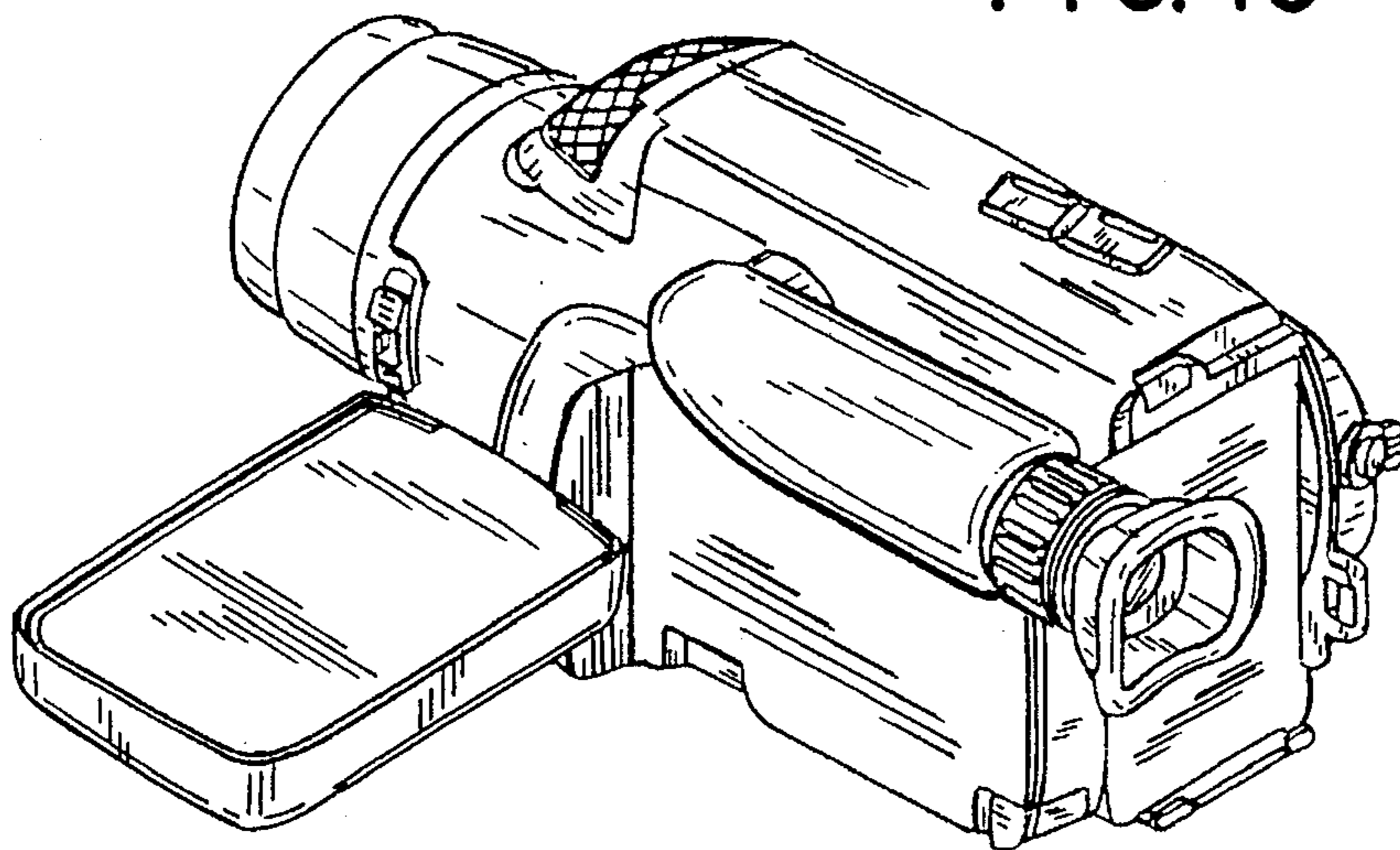


FIG. 10