



US00D375316S

United States Patent [19]

[11] Patent Number: **Des. 375,316**

Tsai

[45] Date of Patent: ****Nov. 5, 1996**

[54] **BRIDGE TYPE VERTICAL MACHINING CENTER**

4,229,866 10/1980 Berthier 29/26 A
5,375,952 12/1994 Line 408/234 X

[76] Inventor: **Peter T. H. Tsai**, 19706 S. Normandie Ave., Torrance, Calif. 90502

Primary Examiner—Antoine Duval Davis

[**] Term: **14 Years**

[57] **CLAIM**

The ornamental design for a bridge type vertical machining center, as shown and described.

[21] Appl. No.: **41,160**

DESCRIPTION

[22] Filed: **Jul. 6, 1995**

[52] U.S. Cl. **D15/131; D15/132**

FIG. 1 is a left front perspective view of the ornamental design of the present invention;

[58] Field of Search D10/46; D15/127-132, D15/199; 29/26 A; 408/234, 235, 236, 237, 31, 32

FIG. 2 is front perspective view thereof;

FIG. 3 is a back plan view thereof;

FIG. 4 is a right side view thereof;

FIG. 5 is a left side view thereof; and,

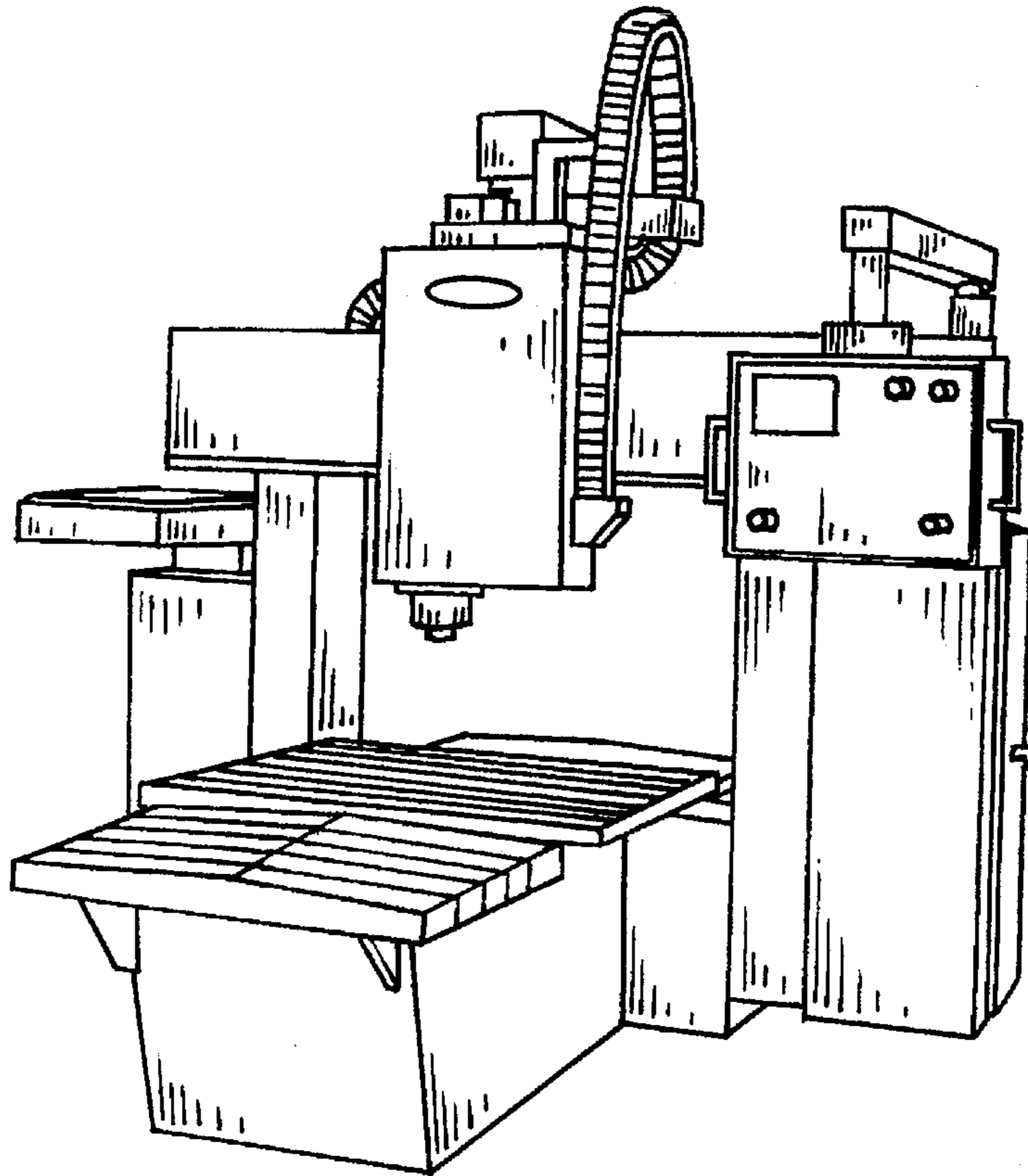
FIG. 6 is a top plan view thereof.

[56] **References Cited**

U.S. PATENT DOCUMENTS

D. 366,054 1/1996 Eguchi D15/132 X

1 Claim, 2 Drawing Sheets



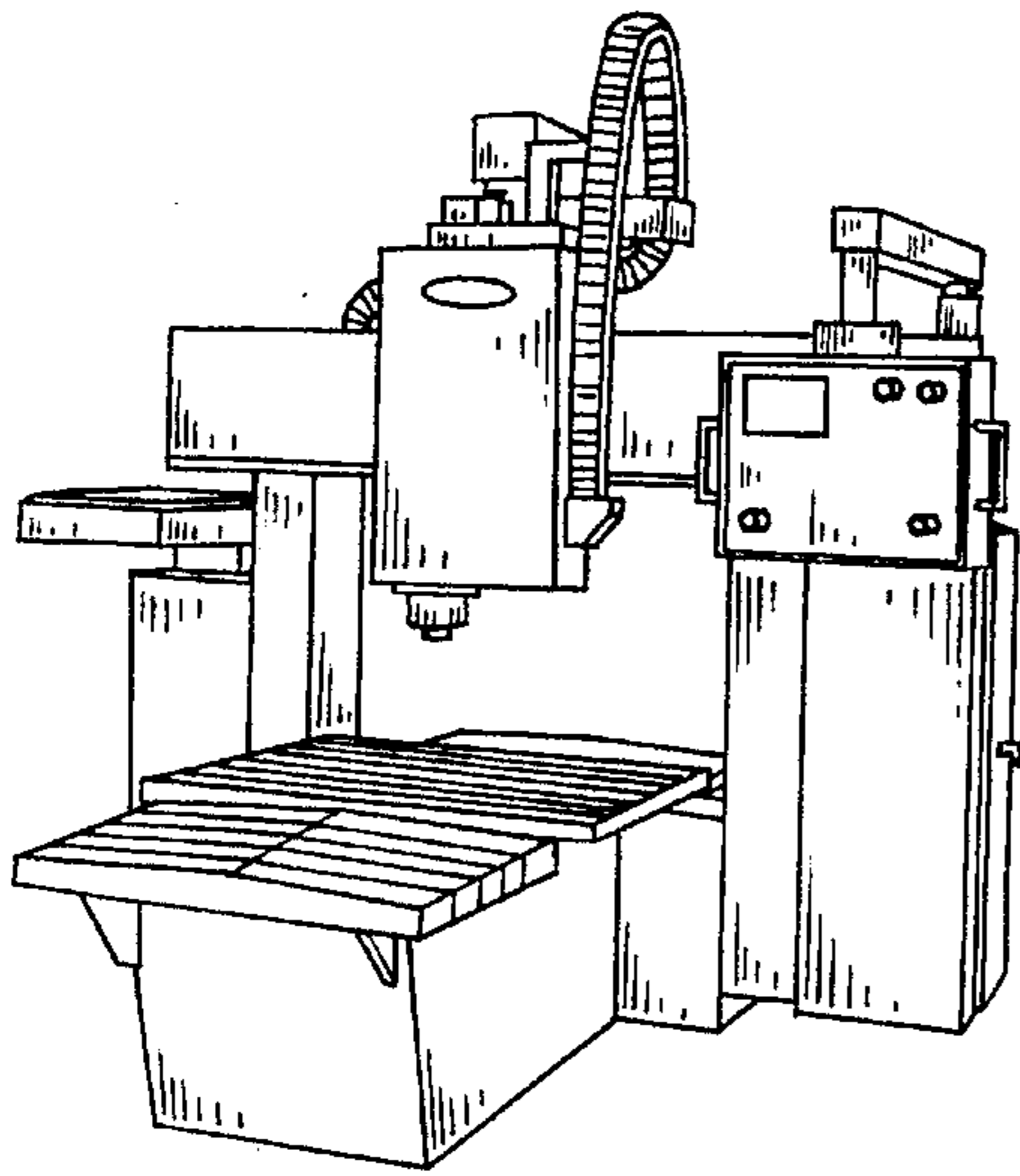


FIG.1

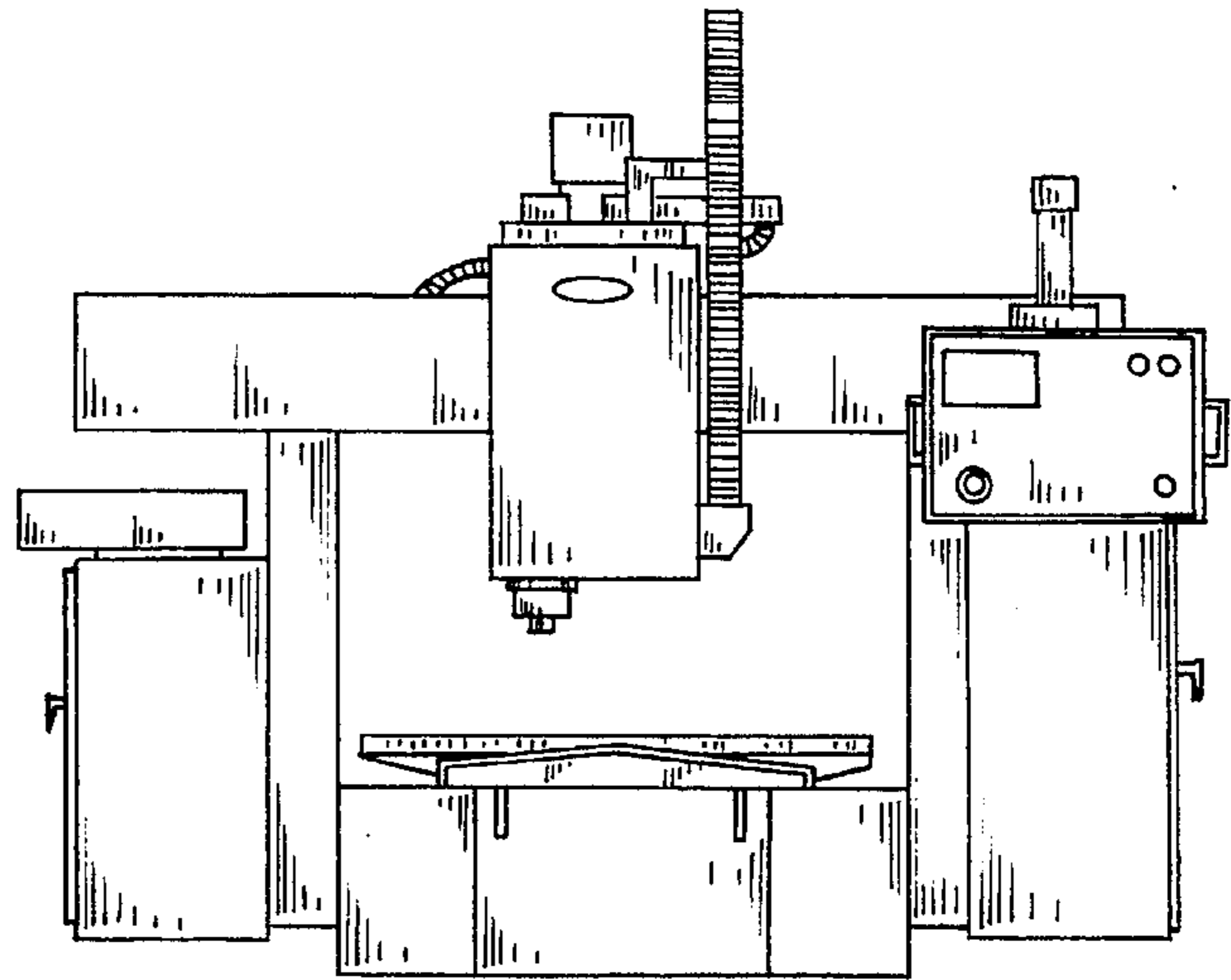


FIG.2

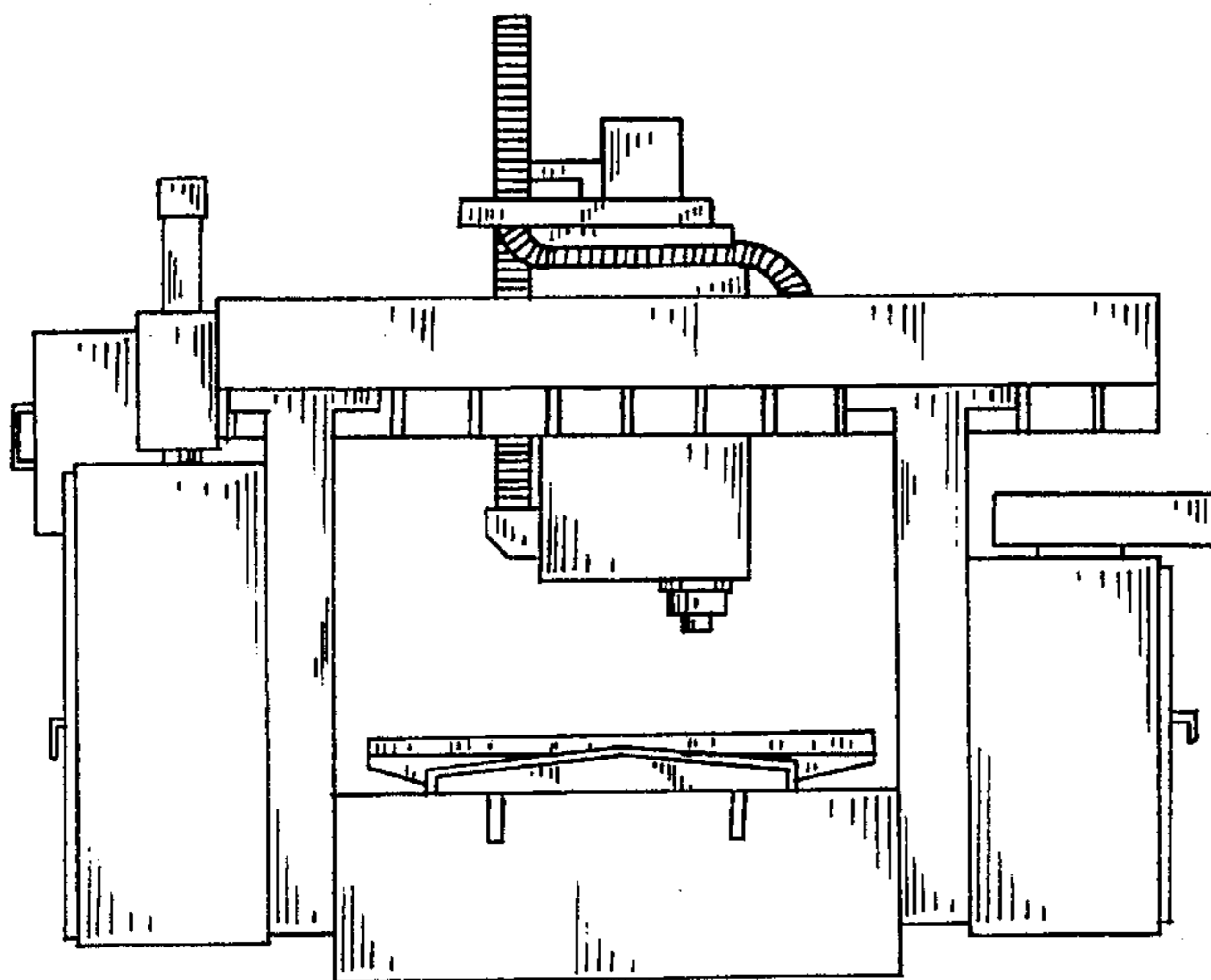


FIG.3

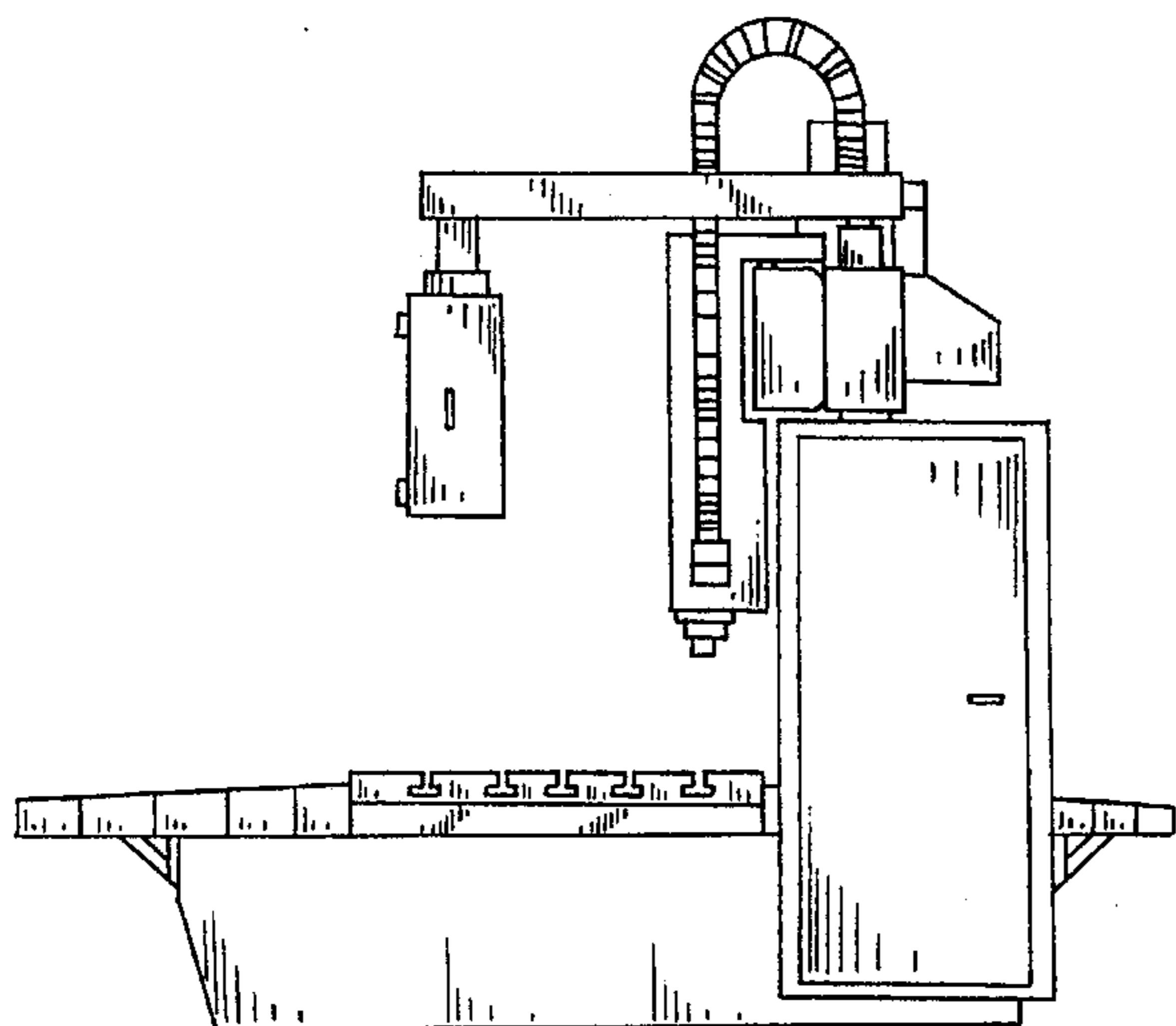


FIG.4

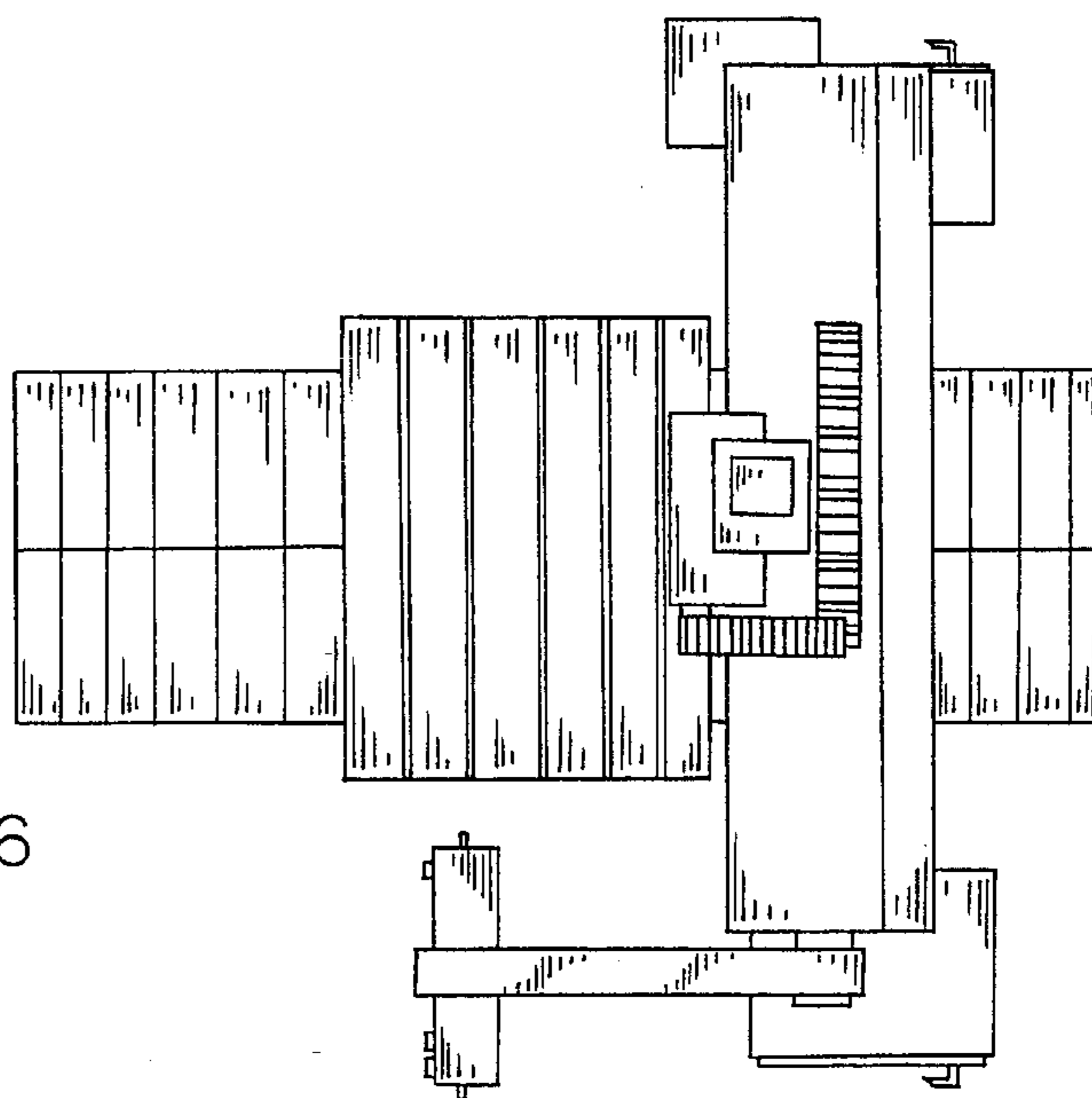


FIG.6

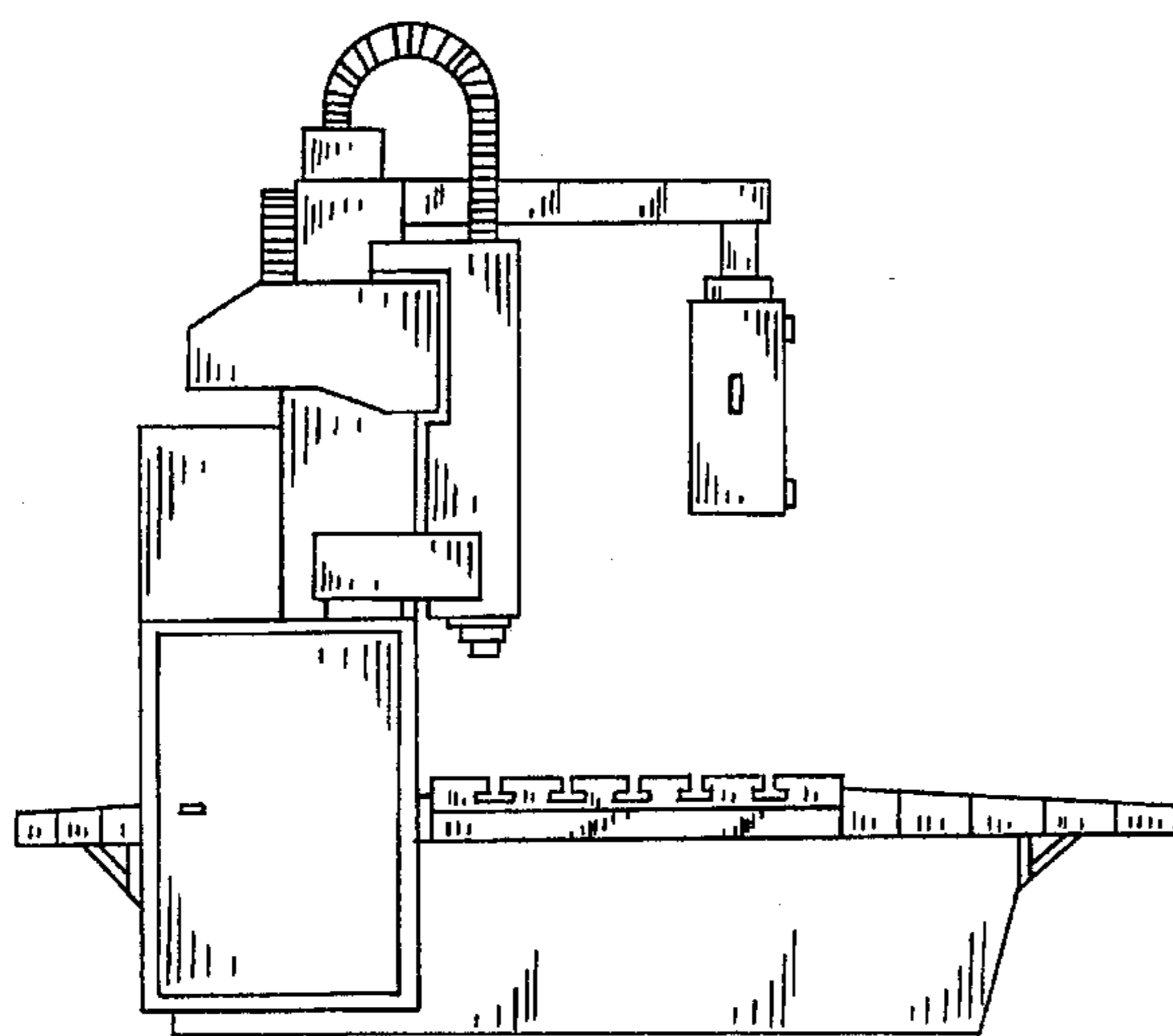


FIG.5