



US00D375314S

United States Patent [19] Tagliani

[11] Patent Number: **Des. 375,314**
[45] Date of Patent: ****Nov. 5, 1996**

[54] **STAND FOR A CELLULAR TELEPHONE**

[76] Inventor: **Guillermo Tagliani**, La Pampa 845
7mo A, Capital Federal, Argentina

[**] Term: **14 Years**

[21] Appl. No.: **49,007**

[22] Filed: **Jan. 17, 1996**

[30] Foreign Application Priority Data

Jul. 19, 1995 [AR] Argentina 062476

[52] U.S. Cl. **D14/253**; D8/349

[58] Field of Search D14/107, 114,
D14/140, 142, 240, 252, 251, 253; D8/349,
354, 373; D6/553; D12/415, 420; 379/454,
455, 446, 434-436; D3/218

[56] References Cited

U.S. PATENT DOCUMENTS

- D. 306,299 2/1990 Soren et al. D14/253 X
- D. 317,157 5/1991 Jondelius D8/373 X
- D. 320,992 10/1991 Jondelius D14/253

- D. 365,106 12/1995 Haltof D14/253
- D. 365,567 12/1995 Cantrill D14/253
- D. 367,065 2/1996 Wu D14/251
- 5,222,132 6/1993 Rioux, Jr. 379/454 X
- 5,253,292 10/1993 Fluder et al. 379/446 X

Primary Examiner—Jeffrey Asch
Attorney, Agent, or Firm—Kuhn and Muller

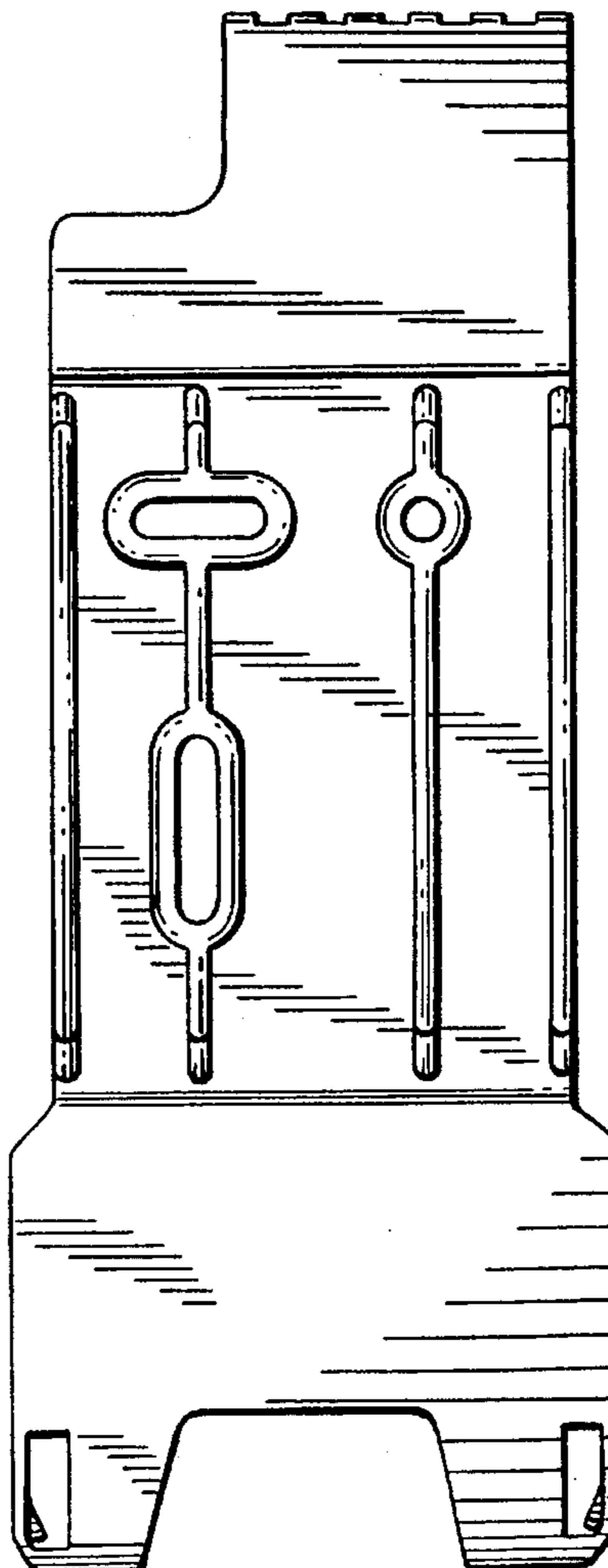
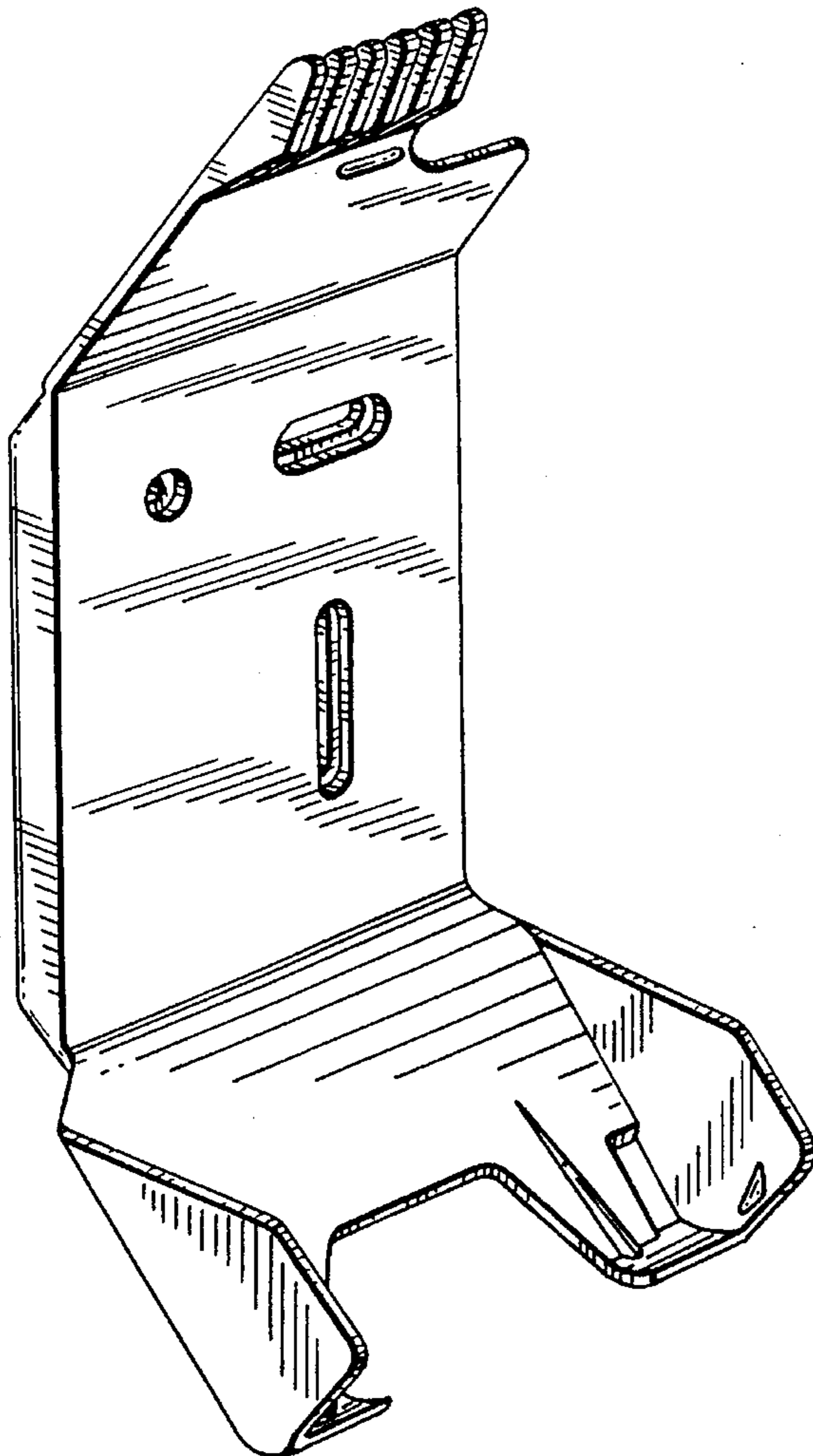
[57] CLAIM

The ornamental design for a stand for a cellular telephone, as shown and described.

DESCRIPTION

FIG. 1 is an isometric perspective view of the stand for a cellular telephone showing our new design; FIG. 2 is a left side elevational view thereof; FIG. 3 is a rear view thereof; FIG. 4 is a right side elevational view thereof; FIG. 5 is a front elevational view thereof; FIG. 6 is a bottom view thereof; and, FIG. 7 is a top plan view thereof.

1 Claim, 2 Drawing Sheets



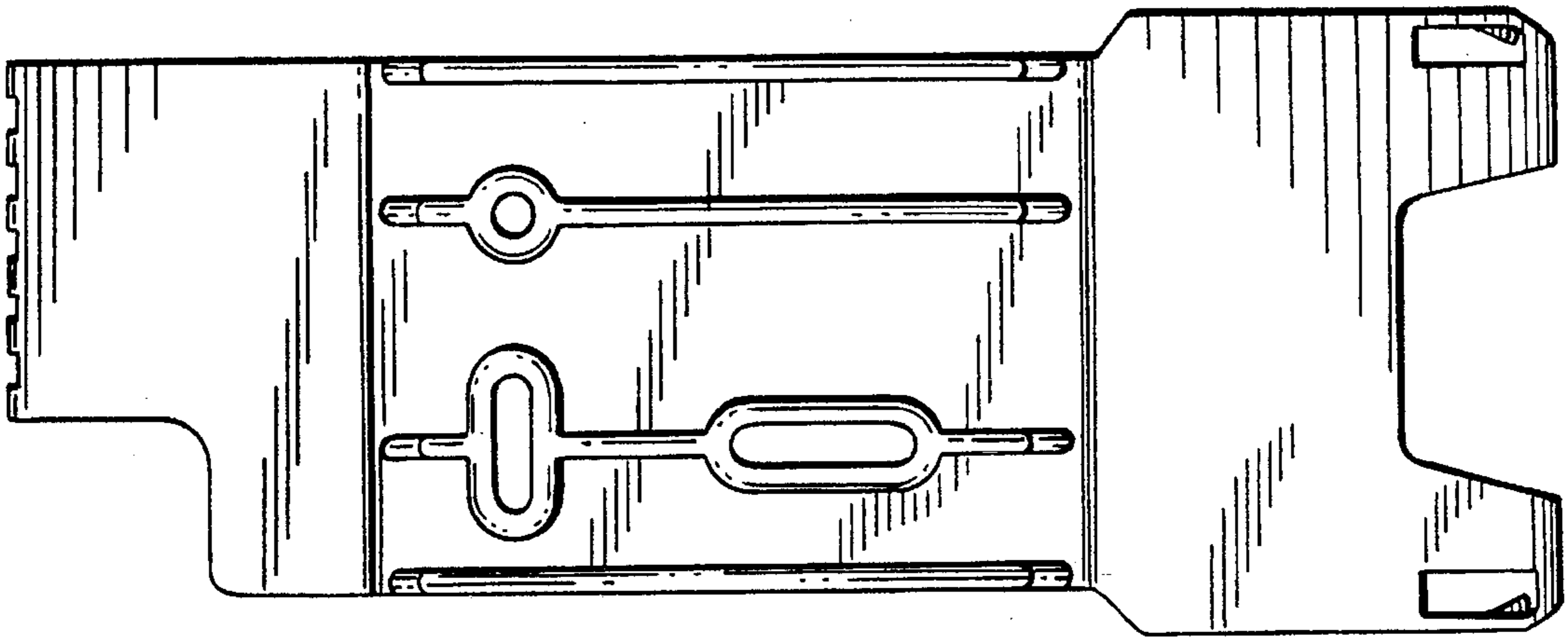


FIG. 3

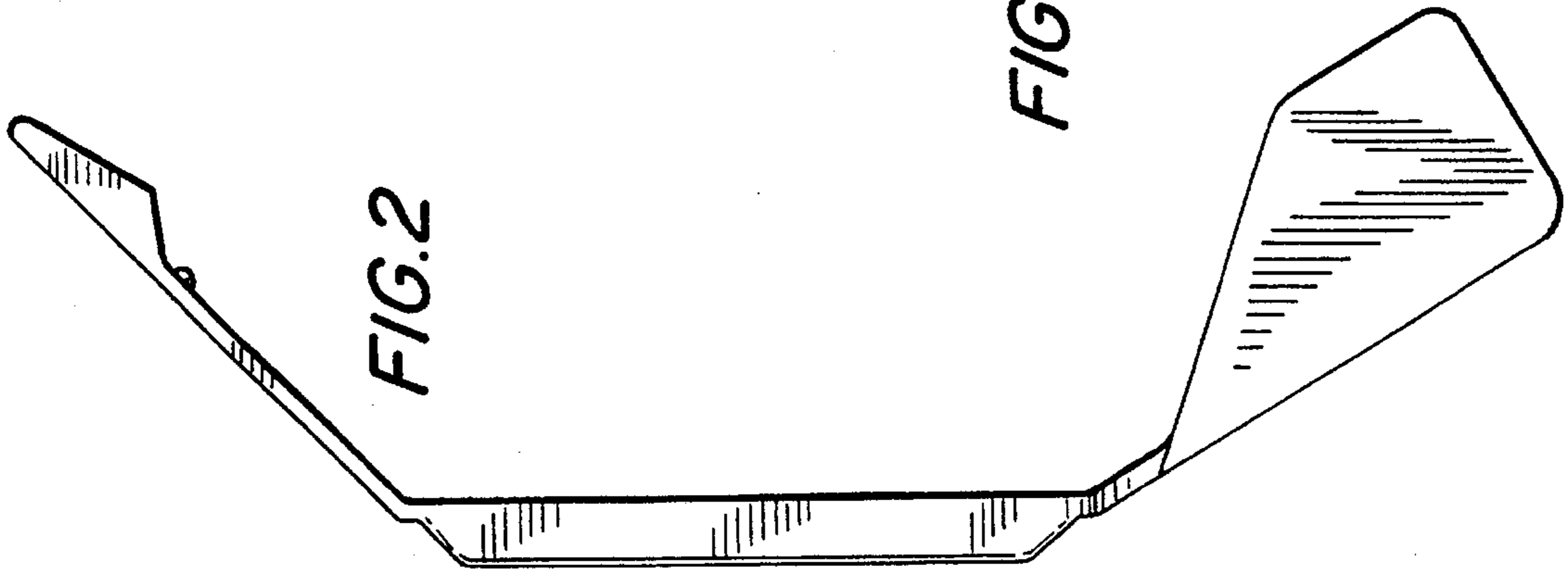


FIG. 2

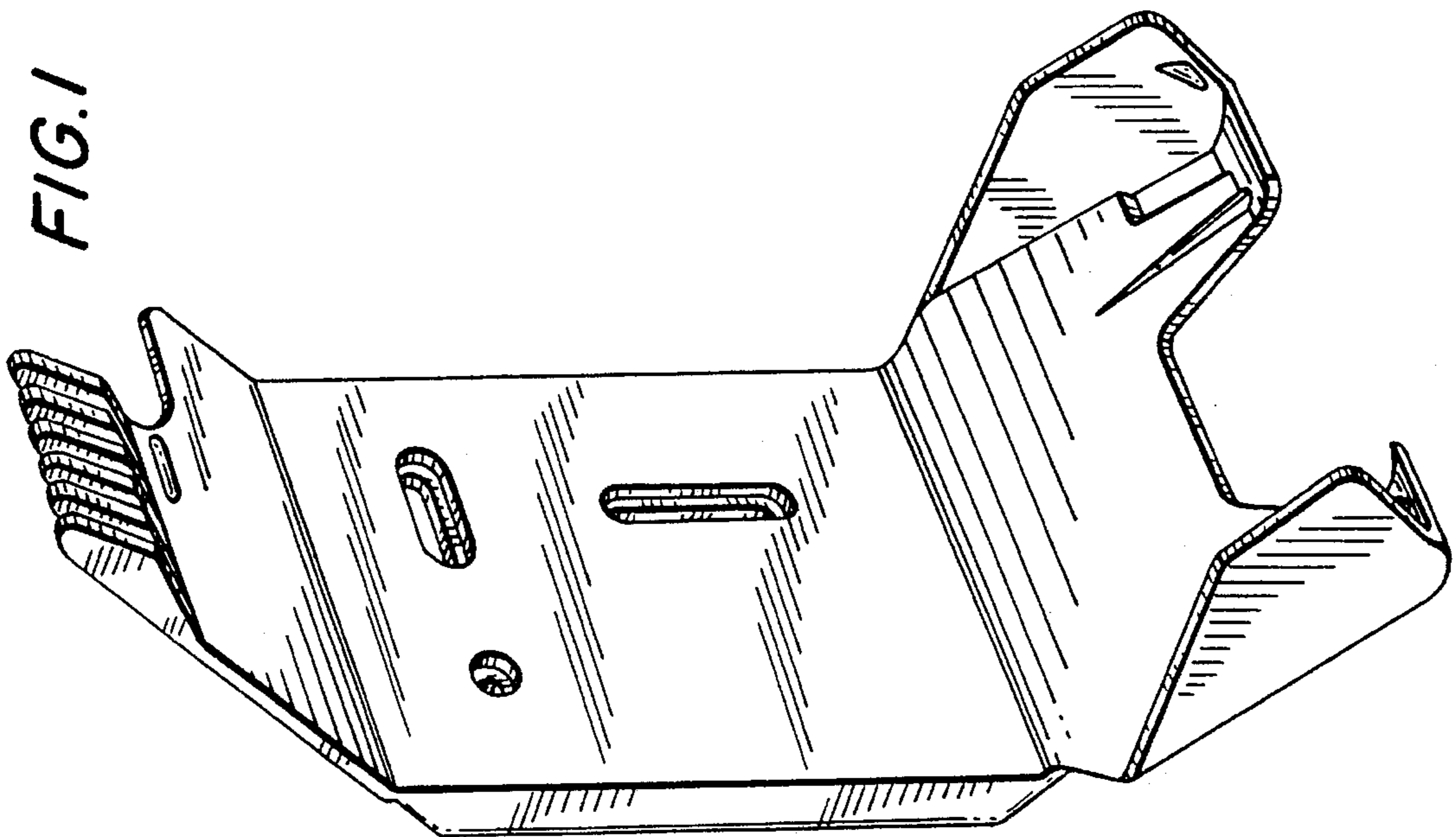


FIG. 1

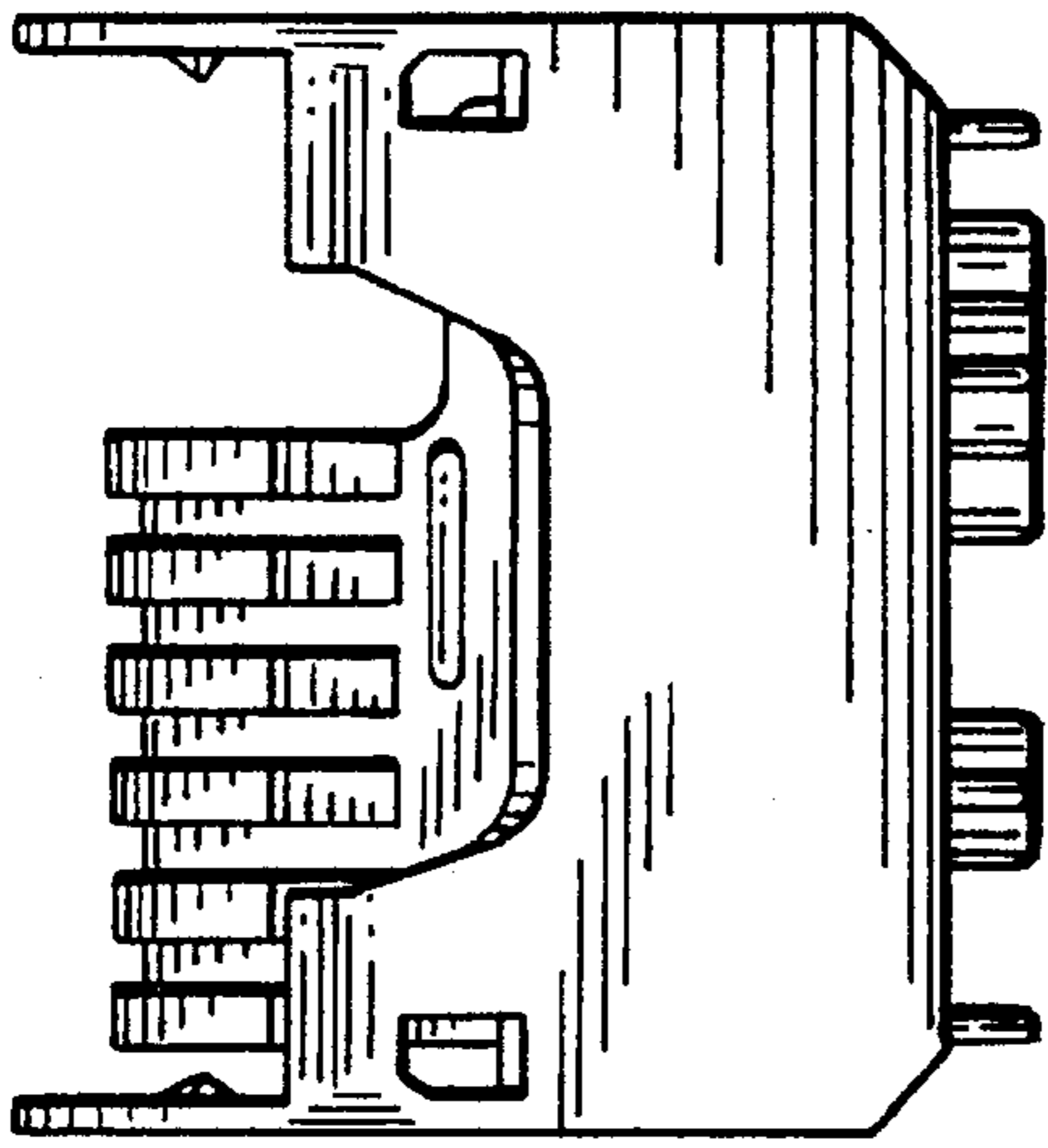


FIG. 6

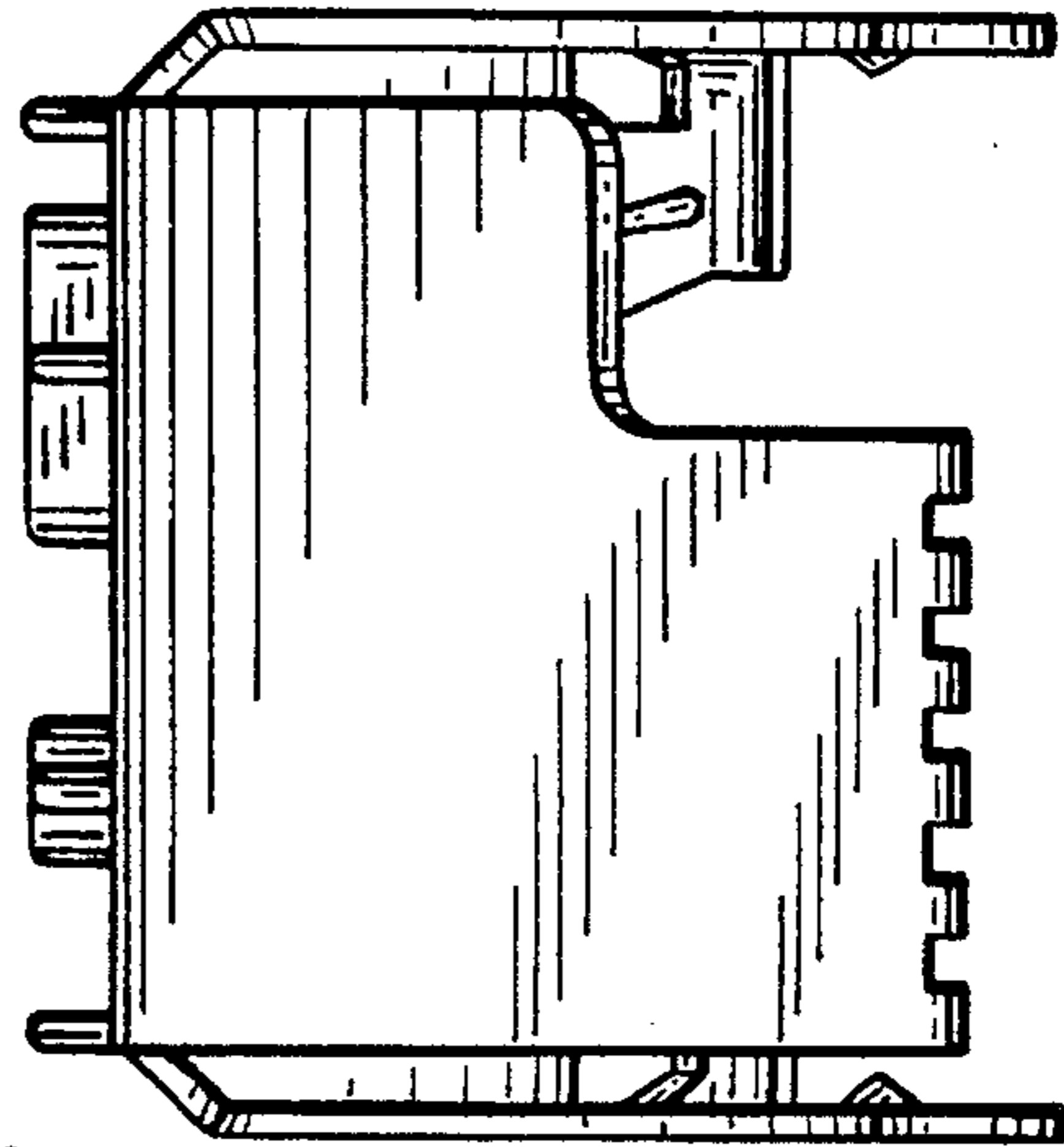


FIG. 7

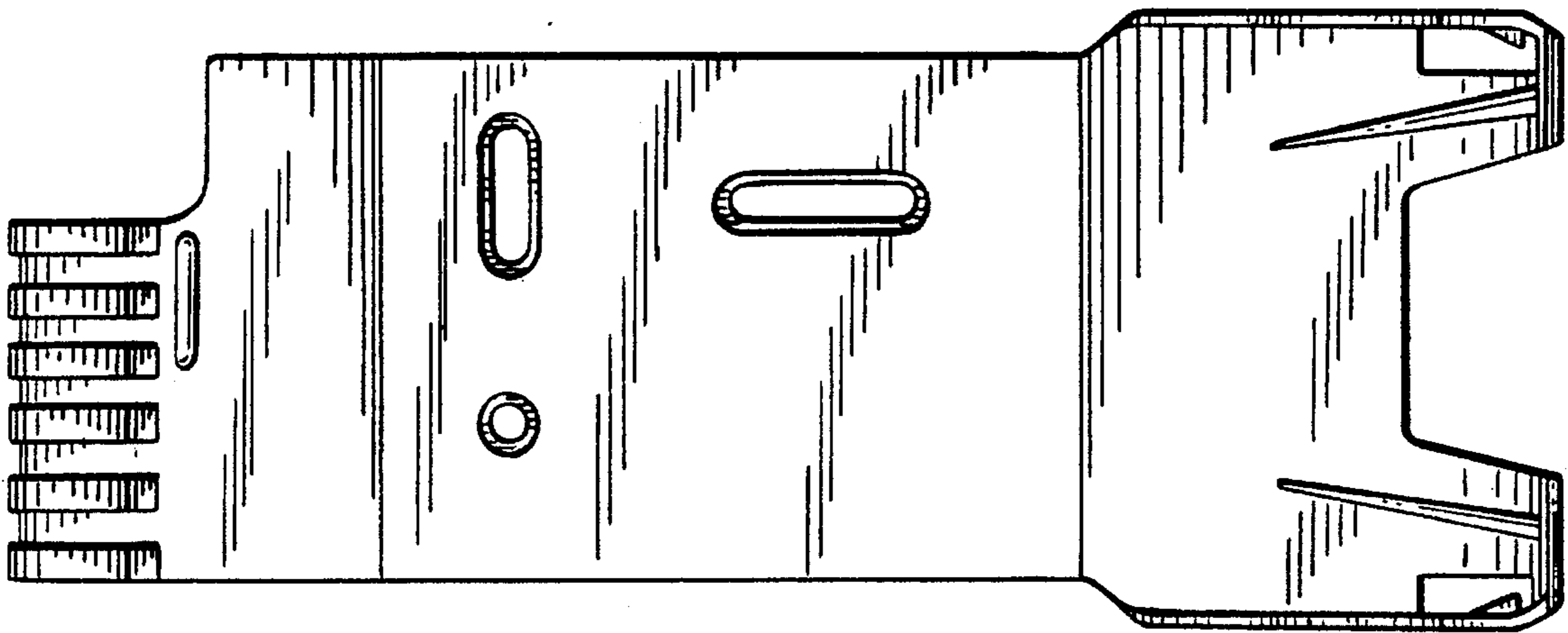


FIG. 5

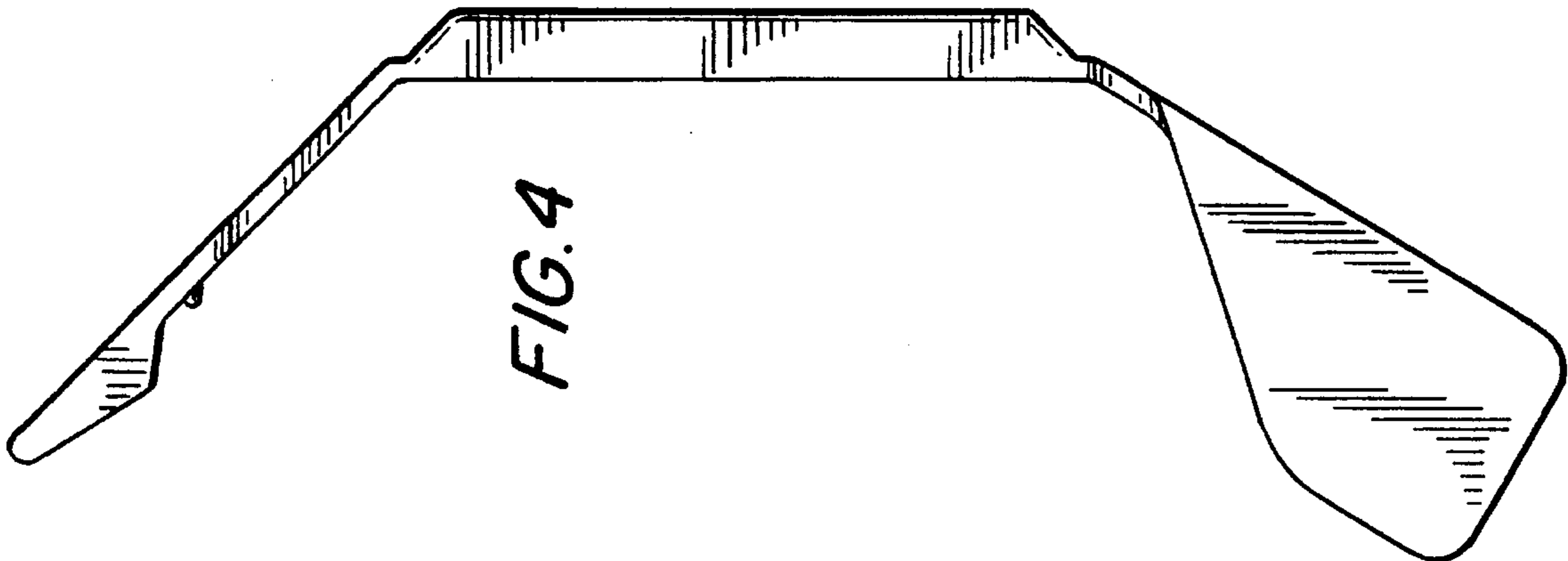


FIG. 4