



US00D375313S

United States Patent [19]

Jensen et al.

[11] Patent Number: **Des. 375,313**

[45] Date of Patent: ****Nov. 5, 1996**

[54] **HEADSET WITH ADJUSTABLE EARHOOK**

[75] Inventors: **Finn Jensen, Struer; Steve McGugan, Copenhagen, both of Denmark**

[73] Assignee: **GN Netcom A/S, Denmark**

[**] Term: **14 Years**

[21] Appl. No.: **40,234**

[22] Filed: **Jun. 13, 1995**

[52] U.S. Cl. **D14/206; D14/223**

[58] Field of Search **D14/137-138, D14/147-148, 192, 205-206, 223, 225-226, 249; 181/129, 130; 379/430, 431, 444; 381/25, 68, 68.6, 68.7, 69, 151, 183, 187**

[56] References Cited

U.S. PATENT DOCUMENTS

D. 237,090	10/1975	Yanagawa	D14/205
D. 311,521	10/1990	Jonsson et al.	D14/225 X
1,587,643	8/1926	Harman .	
2,474,135	6/1949	White .	
2,485,405	10/1949	Olney et al. .	
2,506,490	5/1950	Coley .	
2,513,746	7/1950	Rohr .	
2,586,644	2/1952	Gilbert .	
2,939,923	6/1960	Henderson .	
3,440,365	4/1969	Bryant et al. .	
3,682,268	8/1972	Gorike .	
3,862,378	1/1975	Norris .	
3,993,879	11/1976	Larkin .	
4,020,297	4/1977	Brodie .	
4,273,969	6/1981	Foley et al. .	
4,335,281	6/1982	Scott et al. .	
4,453,050	6/1984	Enokido .	

4,702,345	10/1987	Janssen et al. .	
4,720,857	1/1988	Burris et al. .	
4,763,753	8/1988	Killion .	
4,875,233	10/1989	Derhaag et al. .	
4,893,344	1/1990	Trägårdh et al. .	
5,446,788	8/1995	Lucey et al.	D14/206 X

FOREIGN PATENT DOCUMENTS

436377	10/1926	Austria .	
0158391	10/1985	European Pat. Off. .	
60-10999	1/1985	Japan .	
1377237	12/1974	United Kingdom .	
2036505	6/1980	United Kingdom .	
WO91/10361	9/1990	WIPO .	

Primary Examiner—Sandra L. Morris

Assistant Examiner—Nanda Bondade

Attorney, Agent, or Firm—Merchant, Gould, Smith, Welter Schmidt, P.A.

[57] CLAIM

The ornamental design for a headset with adjustable earhook, as shown.

DESCRIPTION

FIG. 1 is a top, front and perspective view of a headset with adjustable earhook showing our new design, the broken line showing the person and cords is for illustrative purposes only and forms no part of the claimed design;

FIG. 2 is a front elevational view;

FIG. 3 is a rear elevational view;

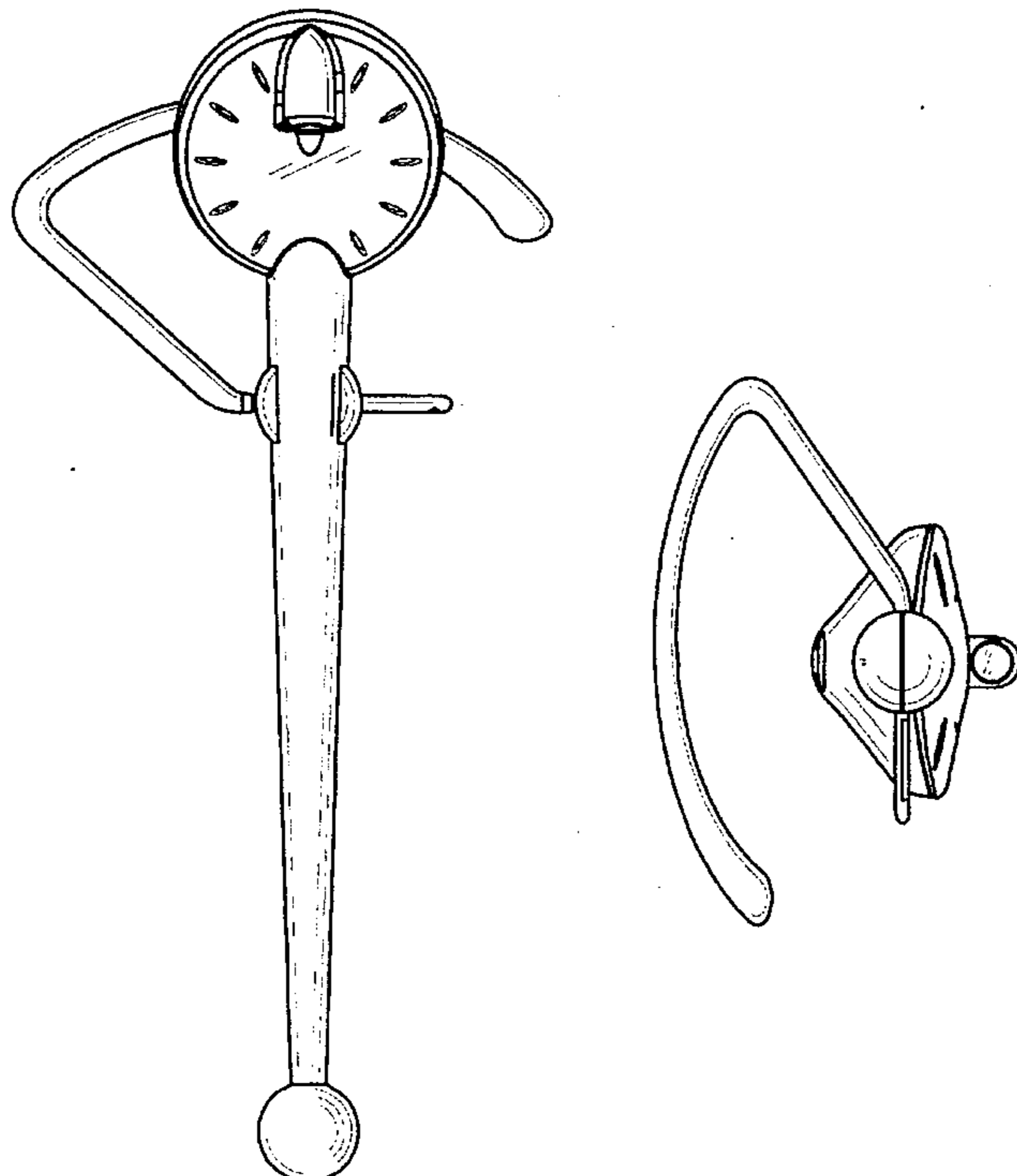
FIG. 4 is a right side elevational view;

FIG. 5 is a left side elevational view;

FIG. 6 is a top plan view; and,

FIG. 7 is a bottom plan view.

1 Claim, 3 Drawing Sheets



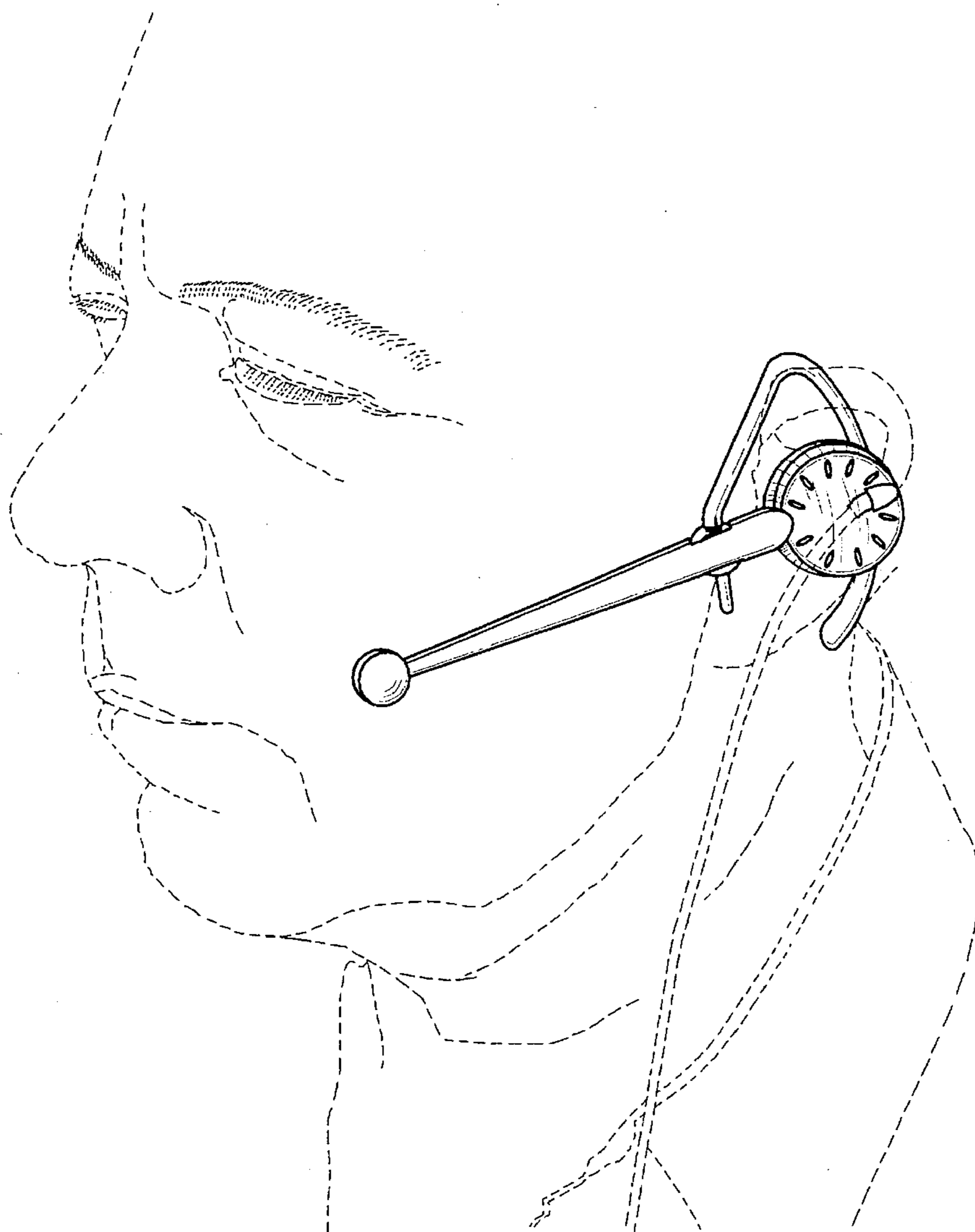


FIG. 1

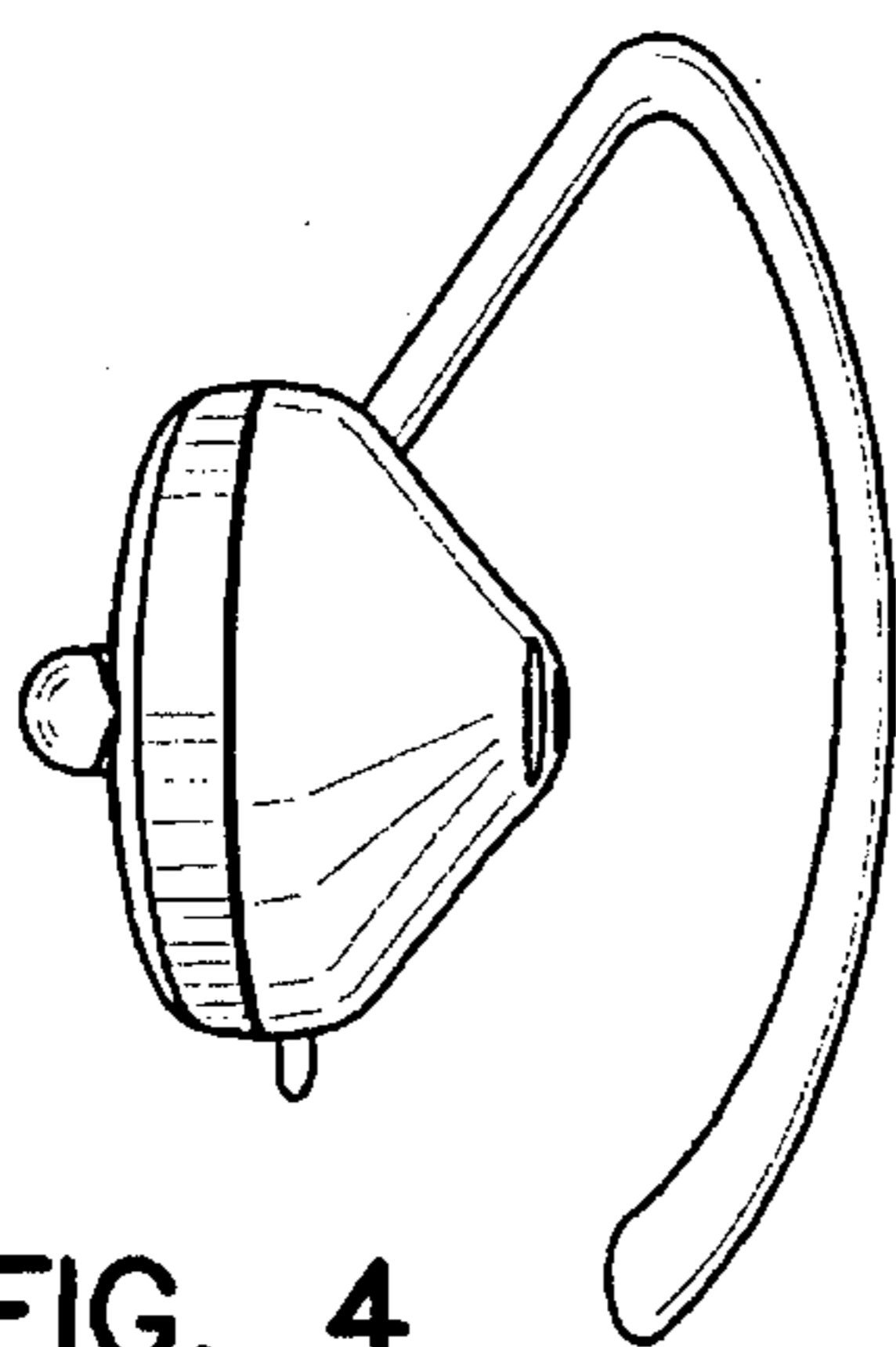


FIG. 4

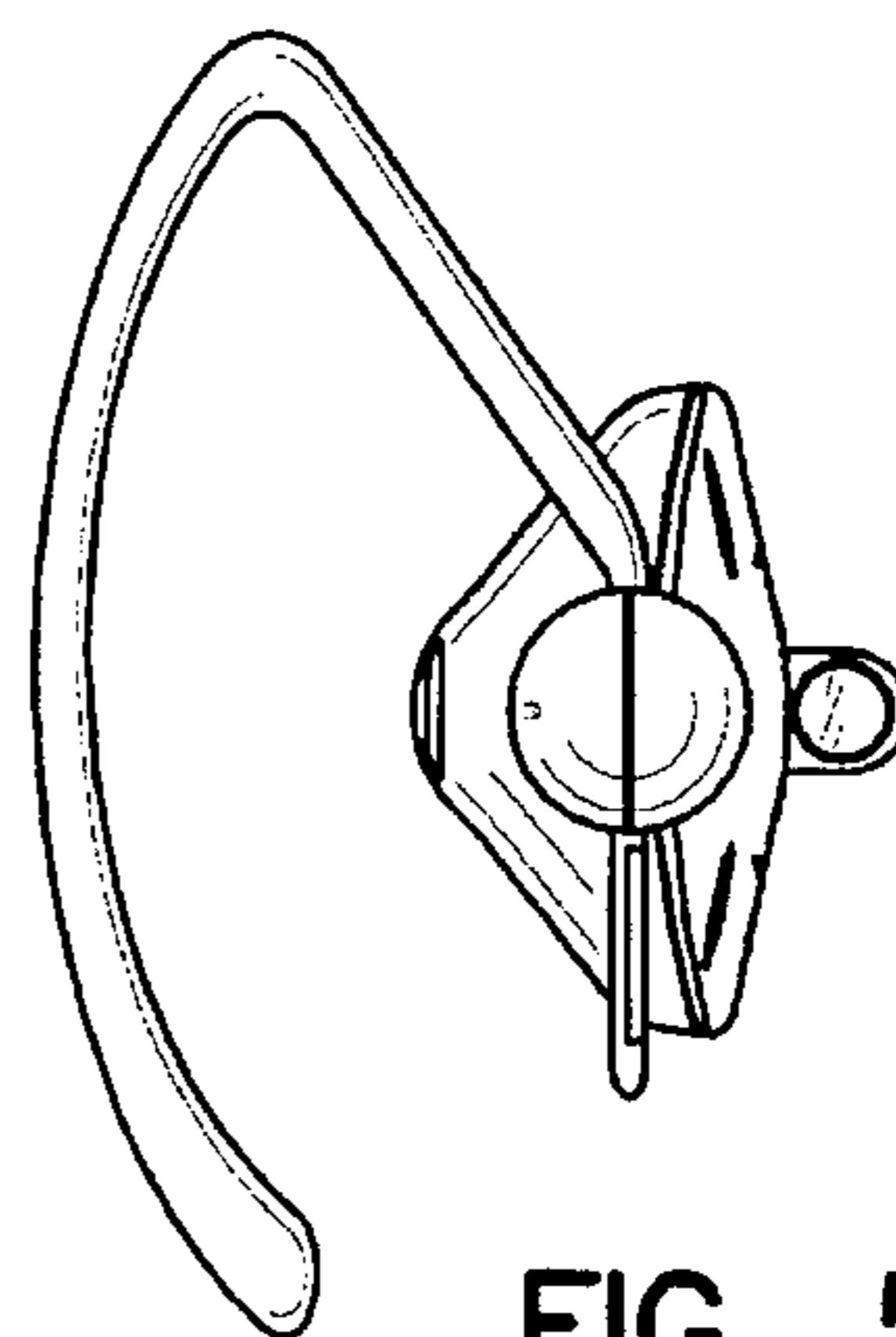


FIG. 5

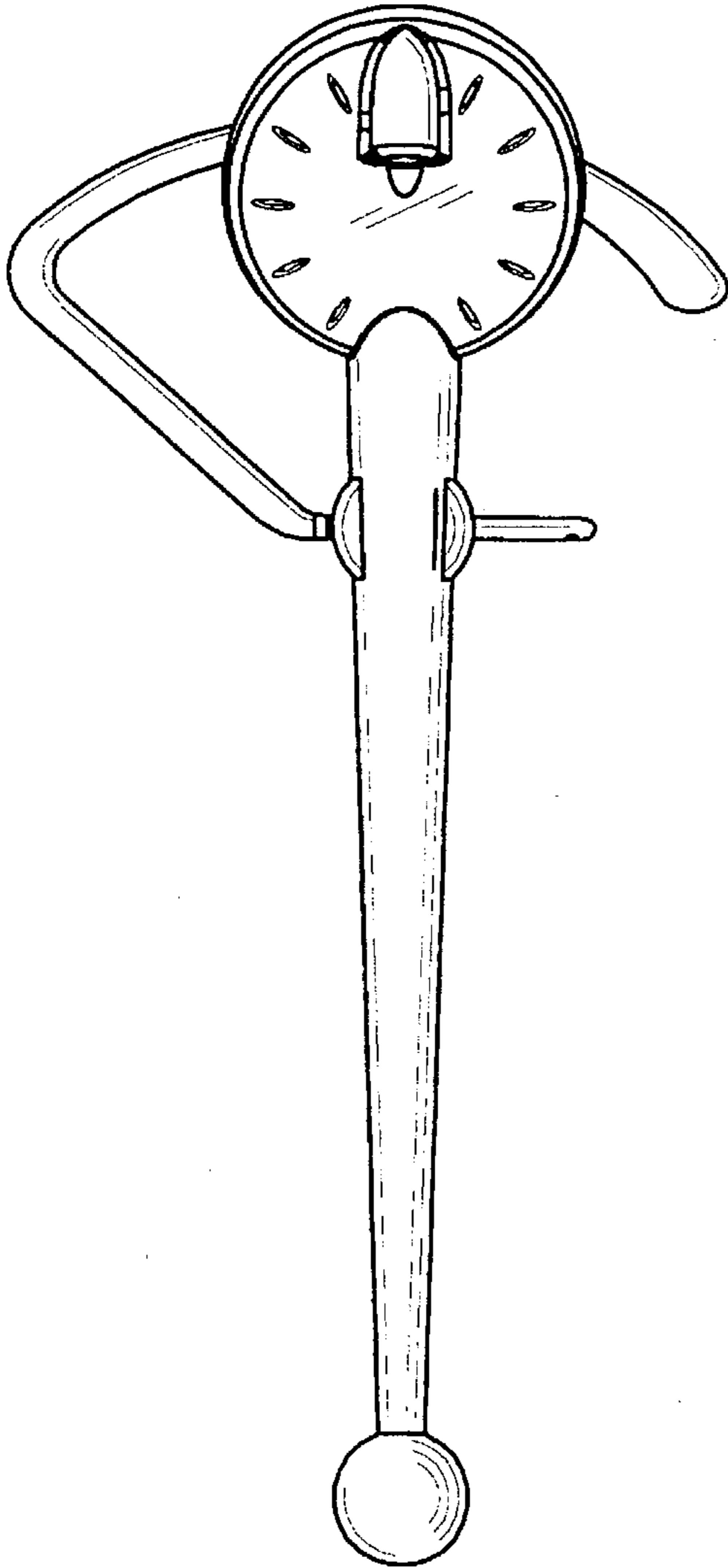


FIG. 2

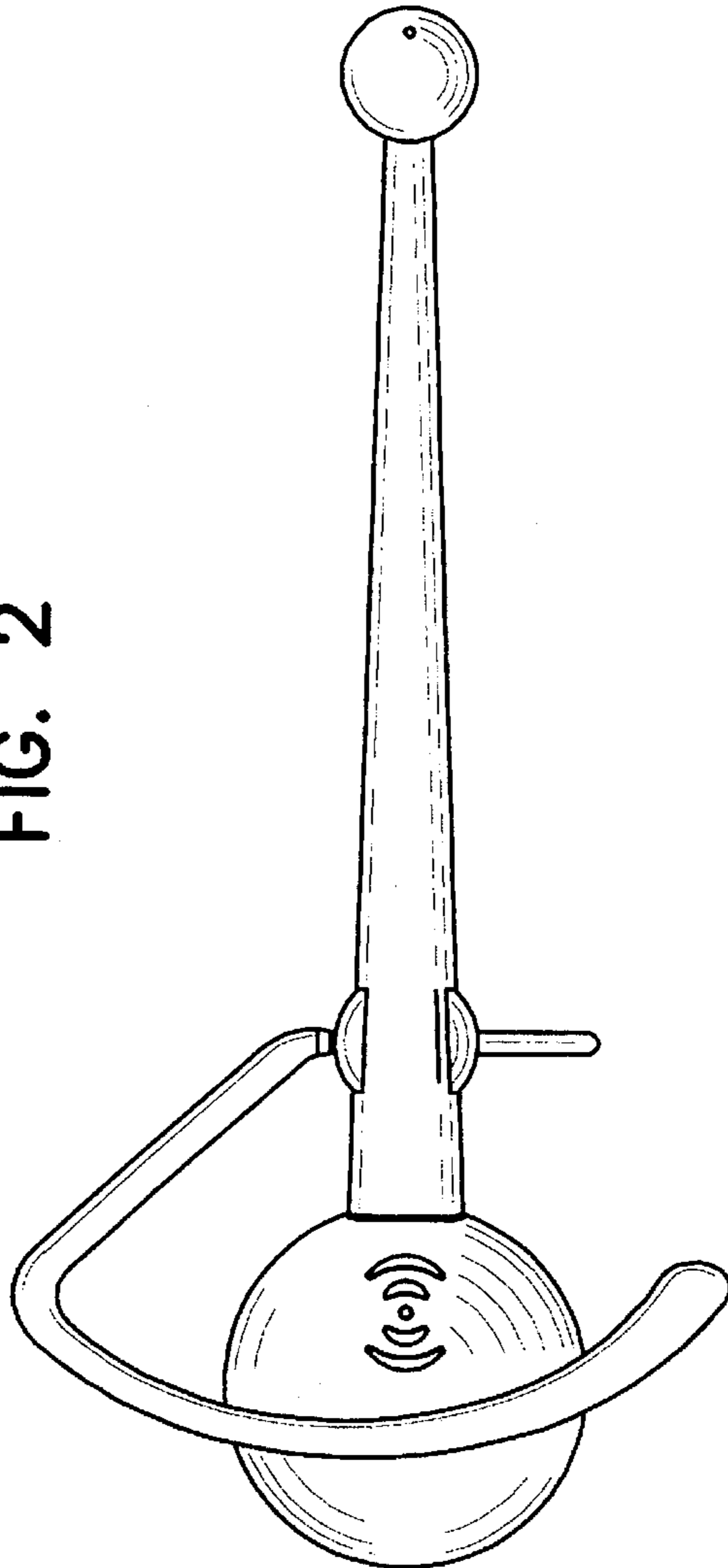


FIG. 3

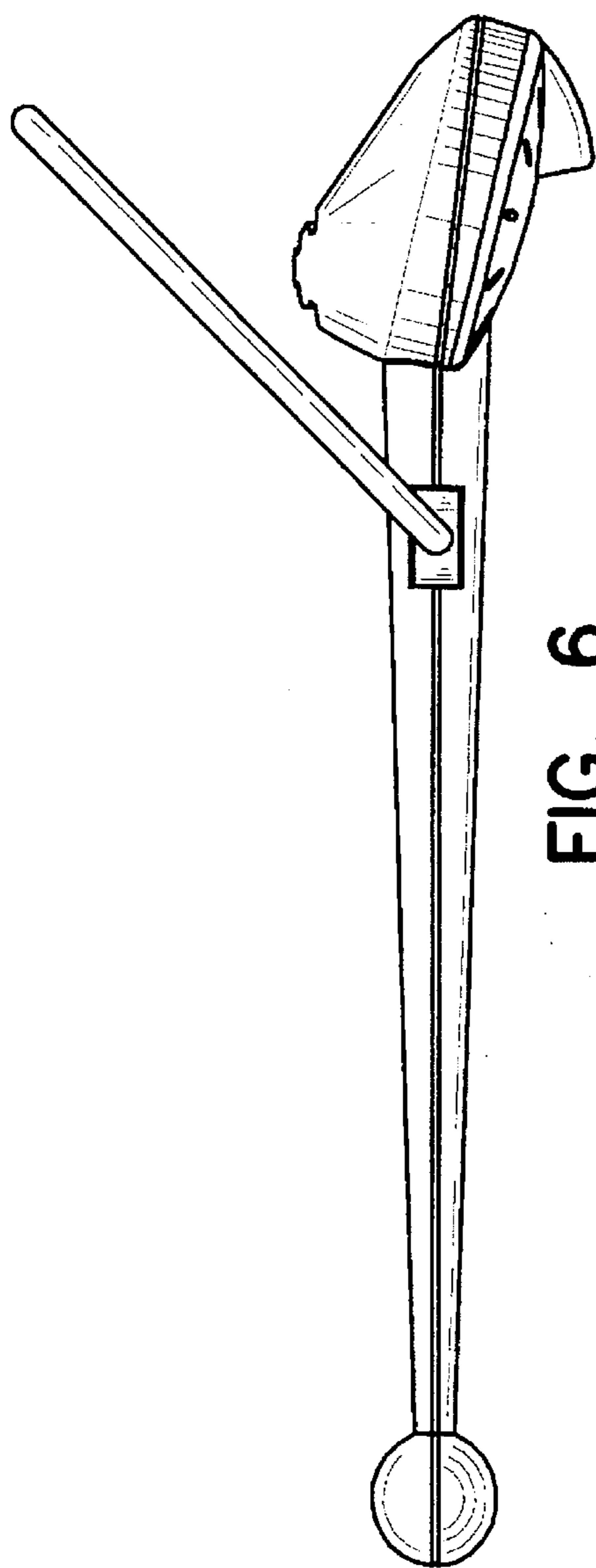


FIG. 6

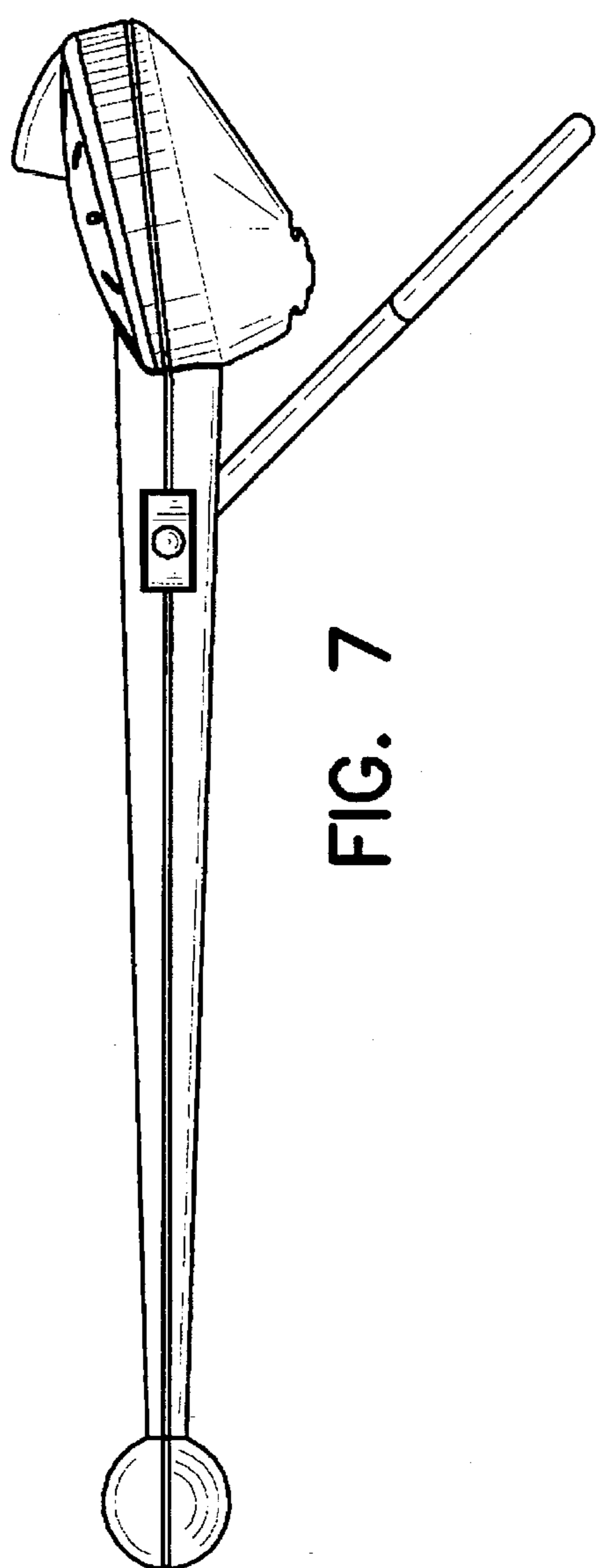


FIG. 7