



US00D375311S

United States Patent [19]

Keseling et al.

[11] Patent Number: **Des. 375,311**

[45] Date of Patent: ****Nov. 5, 1996**

[54] **COMBINED TOOLBOX, STEREO TUNER AND CASSETTE PLAYER**

[76] Inventors: **Werner Keseling; Isabelle Keseling**, both of 4072 Highland Dr., Prince George, B.C., CN V2k-2C2, Canada

[**] Term: **14 Years**

[21] Appl. No.: **39,086**

[22] Filed: **May 19, 1995**

[52] U.S. Cl. **D14/168; D14/172; D3/274; D3/291; D3/294; D3/905; D7/710**

[58] Field of Search **D3/274, 291, 294, D3/905; D7/709, 710; D14/124, 160-168, 188-189, 192-198, 260, 299; 206/372, 373; 455/344, 347-351**

[56] **References Cited**

U.S. PATENT DOCUMENTS

- D. 268,390 3/1983 Shaughnessy D14/168 X
- D. 334,868 4/1993 Woon D14/168 X
- D. 364,161 11/1995 Campbell D7/709 X
- D. 365,733 1/1996 Freedland D7/710

- 2,272,937 2/1942 Emde D14/195 X
- 4,571,740 2/1986 Kirby et al. 455/344
- 4,939,912 7/1990 Leonovich, Jr. 62/457.1
- 5,235,822 10/1993 Leonovich, Jr. 62/457.7
- 5,339,956 8/1994 Thomason 206/373

Primary Examiner—Sandra L. Morris
Assistant Examiner—Nanda Bondade
Attorney, Agent, or Firm—James A. Hudak

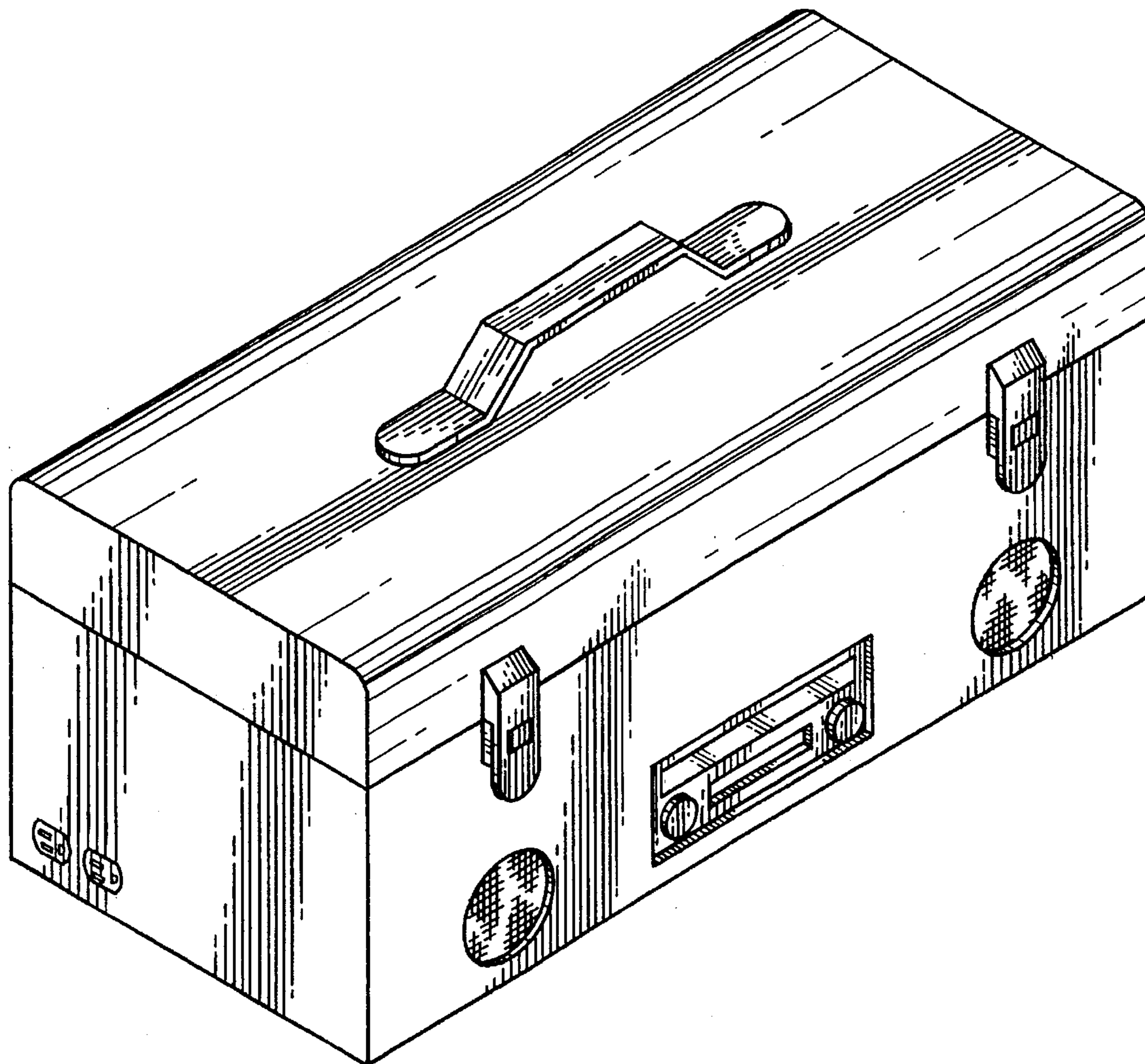
[57] **CLAIM**

The ornamental design for a combined toolbox, stereo tuner and cassette player, as shown and described.

DESCRIPTION

FIG. 1 is a perspective view of the combined toolbox, stereo tuner and cassette player showing our new design; FIG. 2 is a front elevational view thereof; FIG. 3 is a rear elevational view thereof; FIG. 4 is a left side elevational view thereof, the right side elevational view being a mirror image of the view shown in this Figure; FIG. 5 is a top plan view thereof; and, FIG. 6 is a bottom plan view thereof.

1 Claim, 2 Drawing Sheets



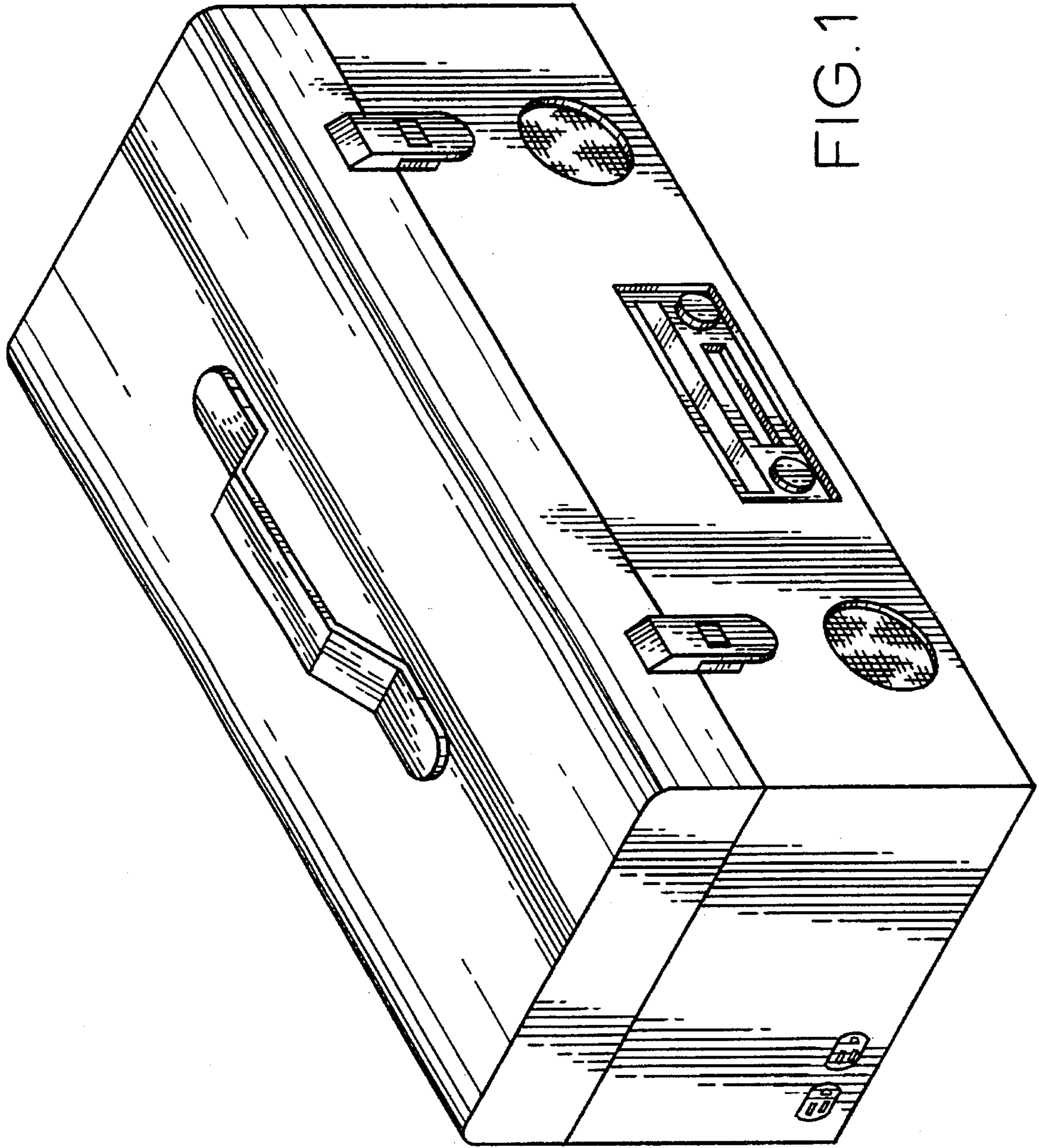


FIG. 1

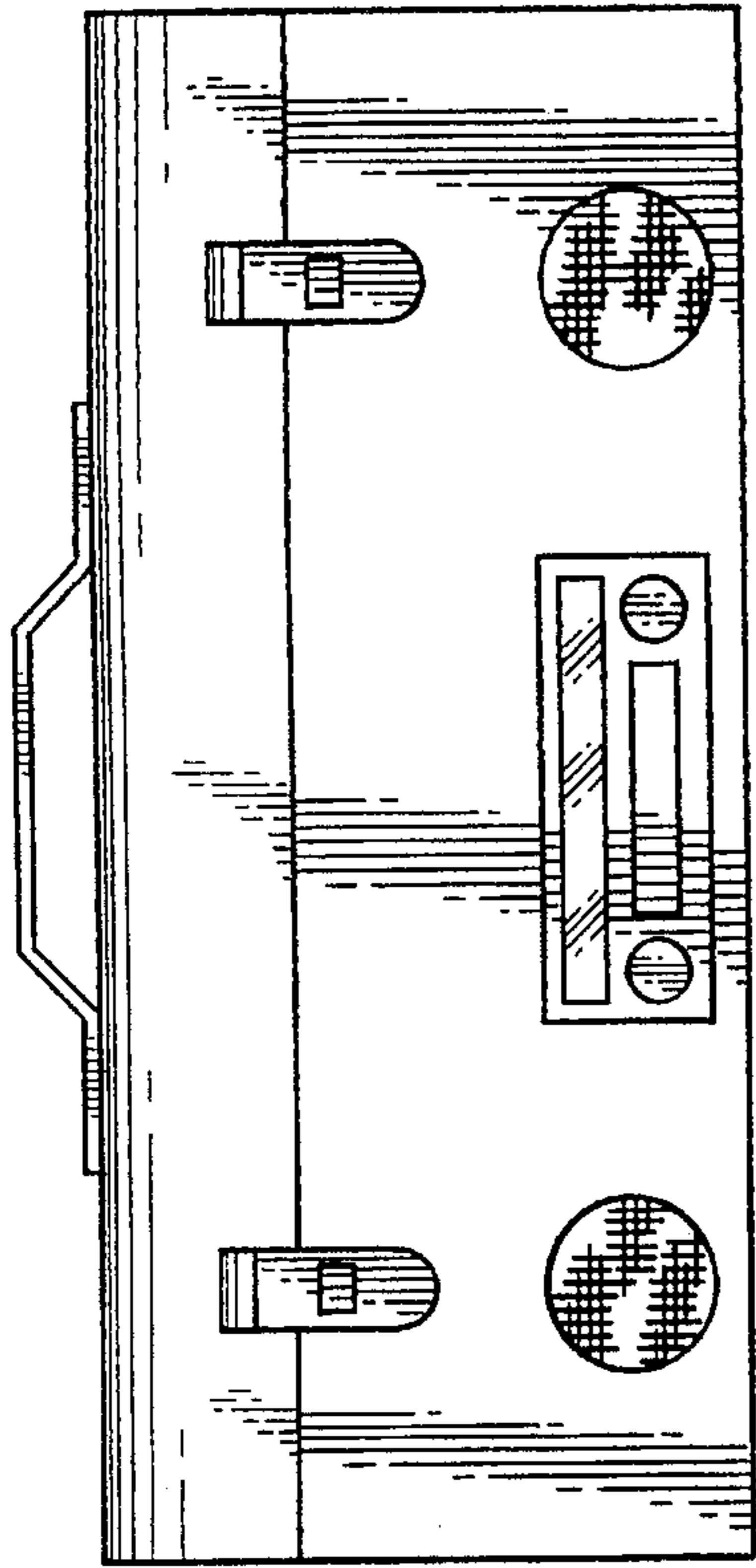


FIG. 2

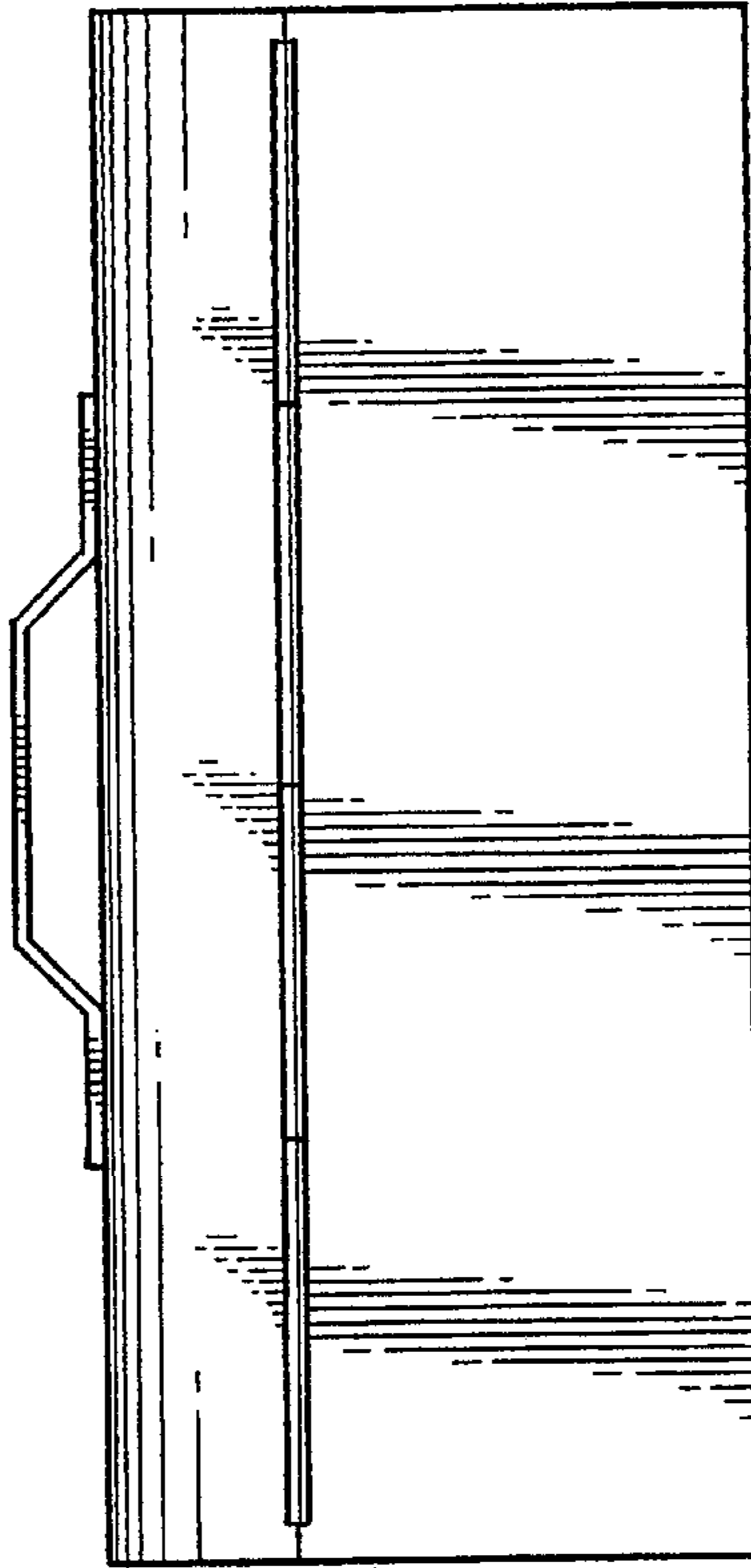


FIG. 3

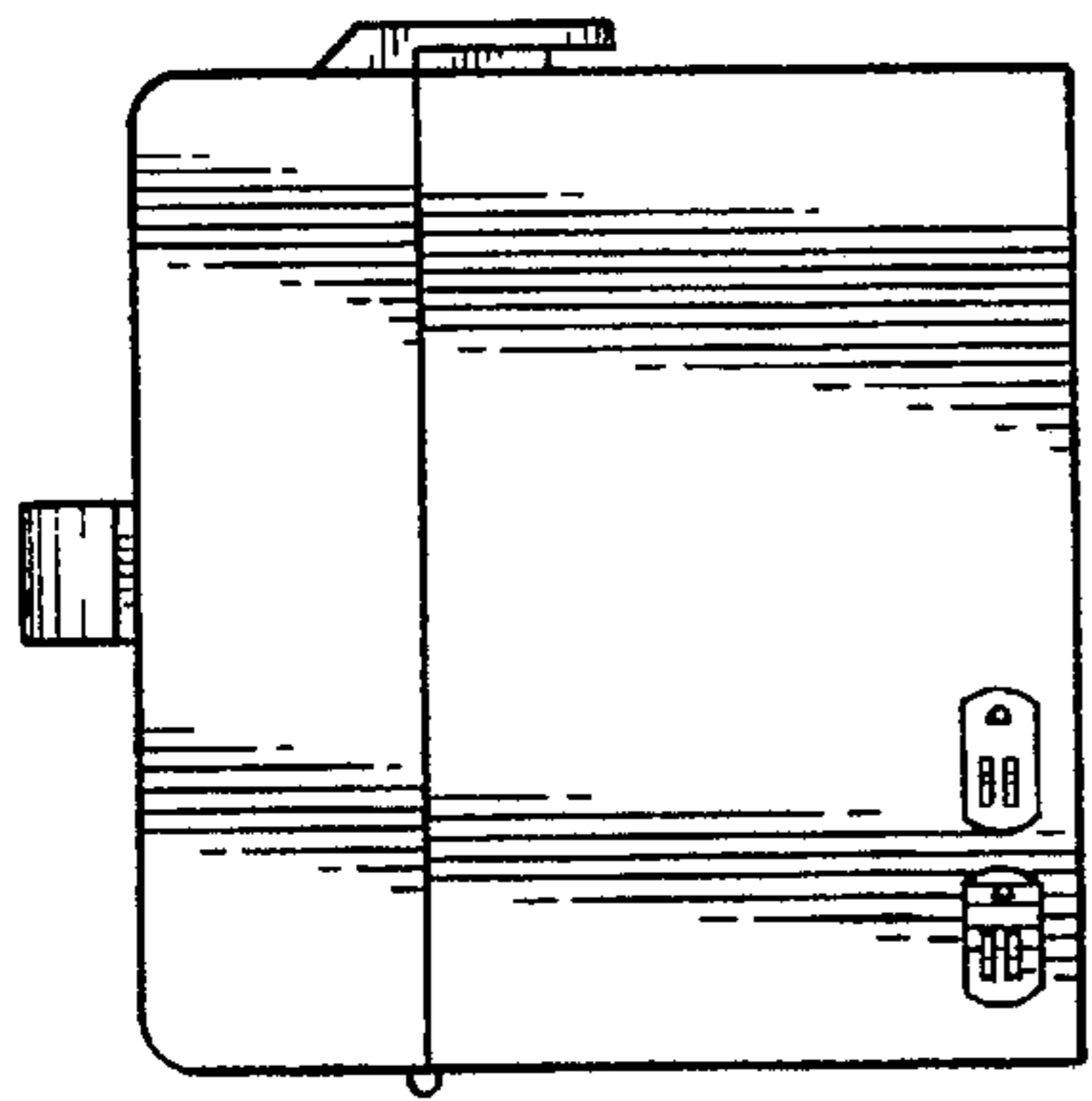


FIG. 4

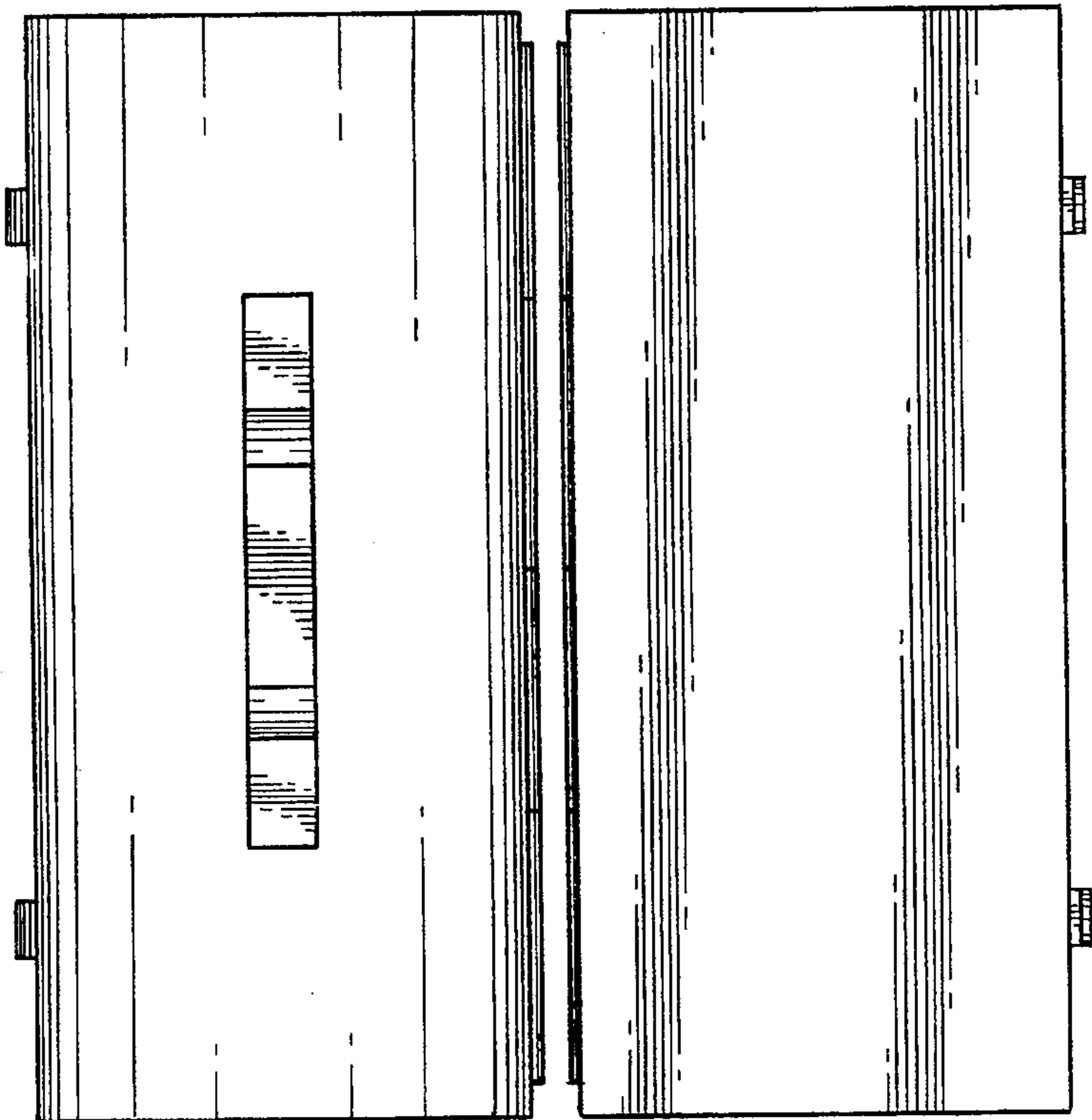


FIG. 5

FIG. 6