



US00D375310S

United States Patent [19]
Wooldridge

[11] **Patent Number: Des. 375,310**
[45] **Date of Patent: **Nov. 5, 1996**

[54] **INTEGRATED TELEPHONE AUTODIALER
HAVING A GRAPHIC USER INTERFACE**

[76] Inventor: **Clarence L. Wooldridge**, 105 Acorn
Dr., Rustburg, Va. 24588

[**] Term: **14 Years**

[21] Appl. No.: **47,235**

[22] Filed: **Nov. 29, 1995**

[52] U.S. Cl. **D14/151; D14/245**

[58] Field of Search **D14/137, 138,
D14/147-151, 140, 142, 240, 241, 245,
244; 379/419, 420, 428, 440, 434-436,
37, 40**

[56] **References Cited**

U.S. PATENT DOCUMENTS

D. 259,212	5/1981	Foggia et al.	D14/151
D. 269,269	6/1983	Ko	D14/66
D. 278,903	5/1985	Ando	D14/151
D. 285,553	9/1986	Baba et al.	D14/52
D. 289,043	3/1987	Smith	D14/66
D. 304,587	11/1989	Danielson et al.	D14/245
D. 307,750	5/1990	Schoenberg	379/436 X
D. 308,381	6/1990	Dehnert	D14/245
D. 319,826	9/1991	Hung	D14/142
D. 322,786	12/1991	Wu	D14/142 X
D. 352,283	11/1994	Schmidt	D14/151
3,483,333	12/1969	Creegeen	379/436 X

3,781,477	12/1973	Johannesson	179/2 TV
3,941,951	3/1976	Engstrom et al.	379/436
4,241,238	12/1980	Strand	179/5.5
5,131,034	7/1992	Read	379/435
5,267,308	11/1993	Jokinen et al.	379/354

OTHER PUBLICATIONS

B. A. Pargh Catalog 1992 Spring/Summer p. 322 Big Button Telephone.

Primary Examiner—Jeffrey Asch
Attorney, Agent, or Firm—Raymond L. Greene, Esq.

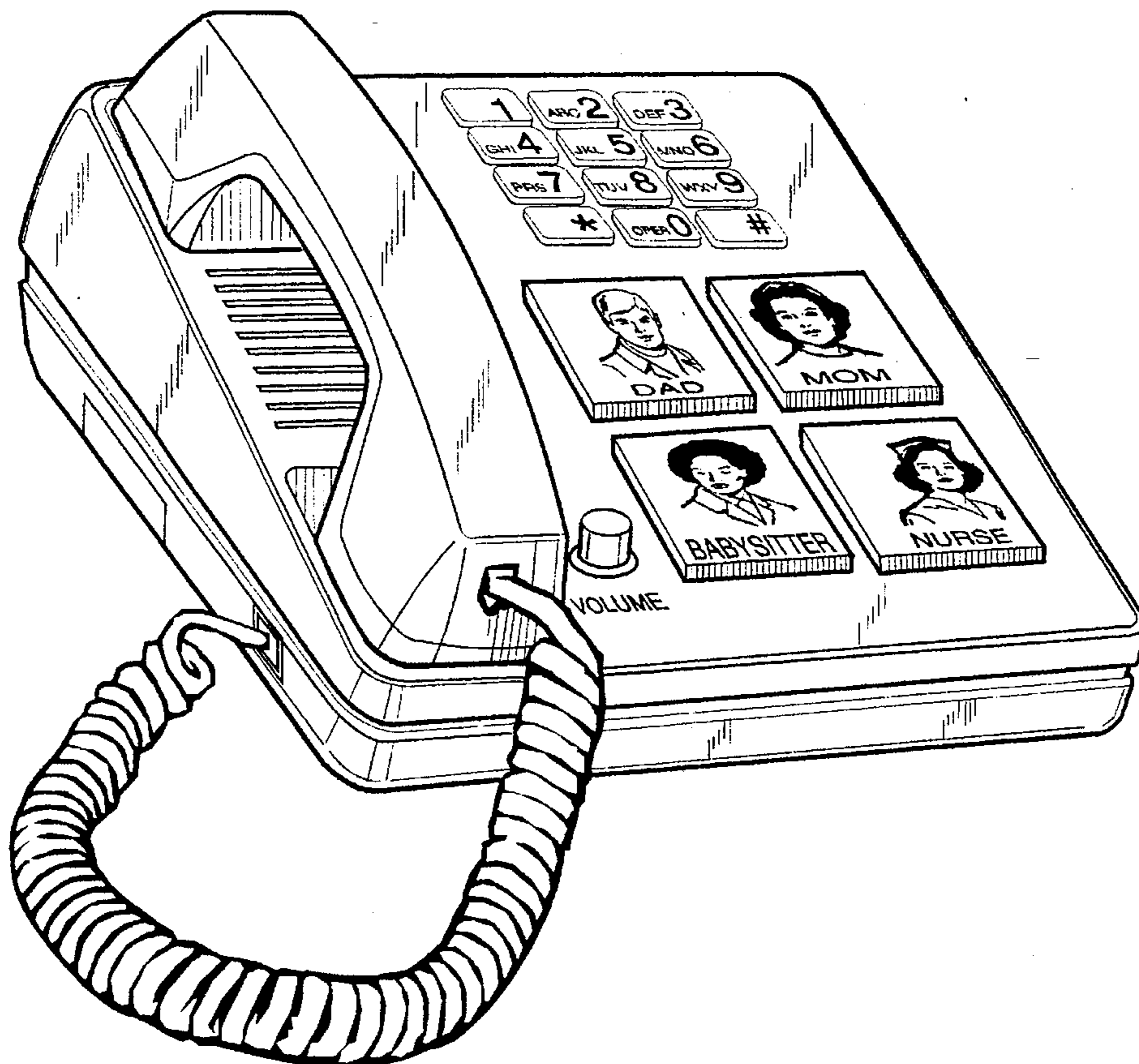
[57] **CLAIM**

The ornamental design for an integrated telephone autodialer, having a graphic user interface, as shown and described.

DESCRIPTION

FIG. 1 is a perspective view of an integrated telephone autodialer having a graphic user interface showing my new design;
FIG. 2 is a left side elevational view thereof;
FIG. 3 is right side side elevational view thereof;
FIG. 4 is a rear elevational view thereof;
FIG. 5 is a front elevational view thereof;
FIG. 6 is a top plan view thereof; and,
FIG. 7 is a bottom plan view thereof showing foot supports.

1 Claim, 4 Drawing Sheets



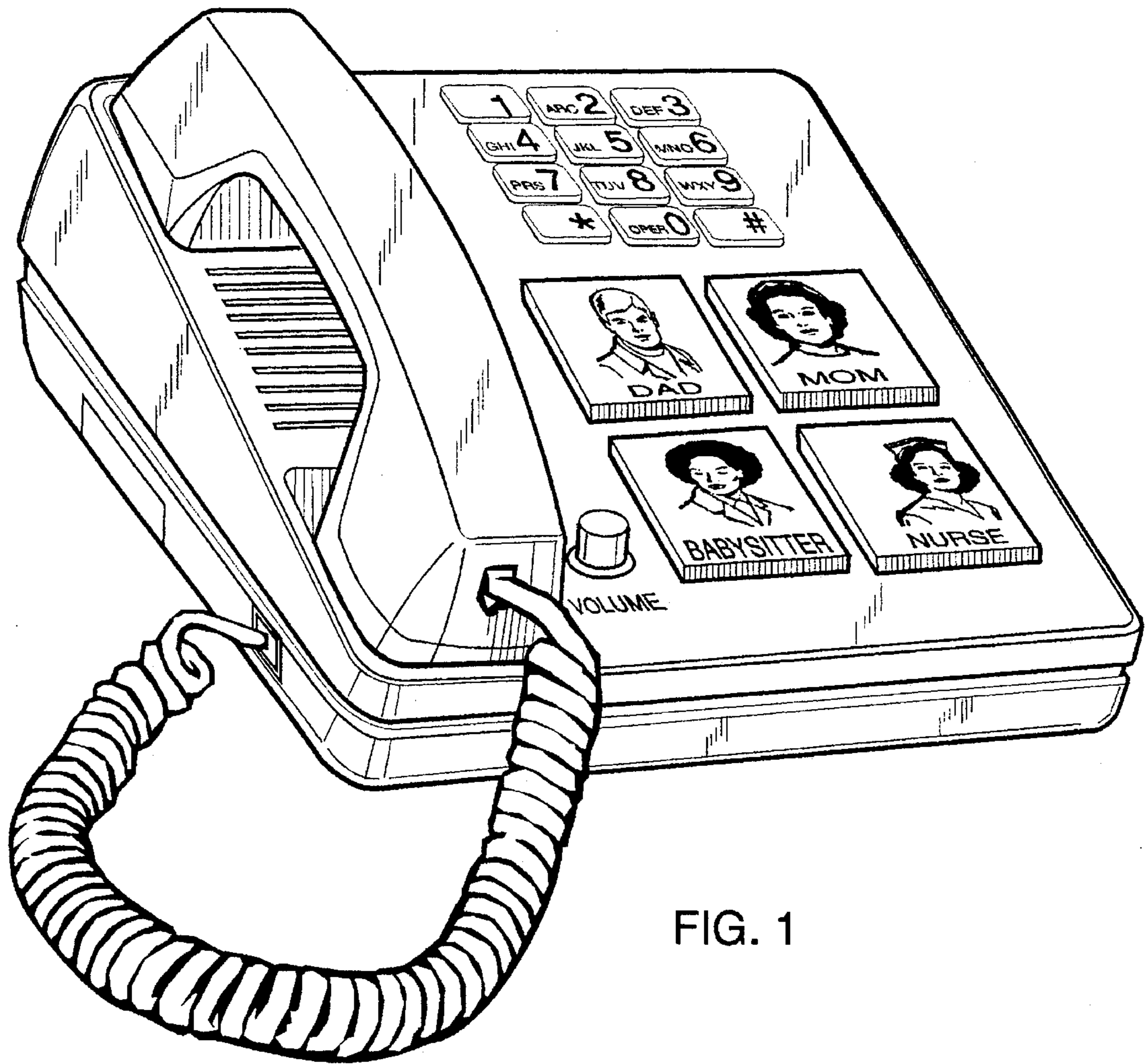


FIG. 1

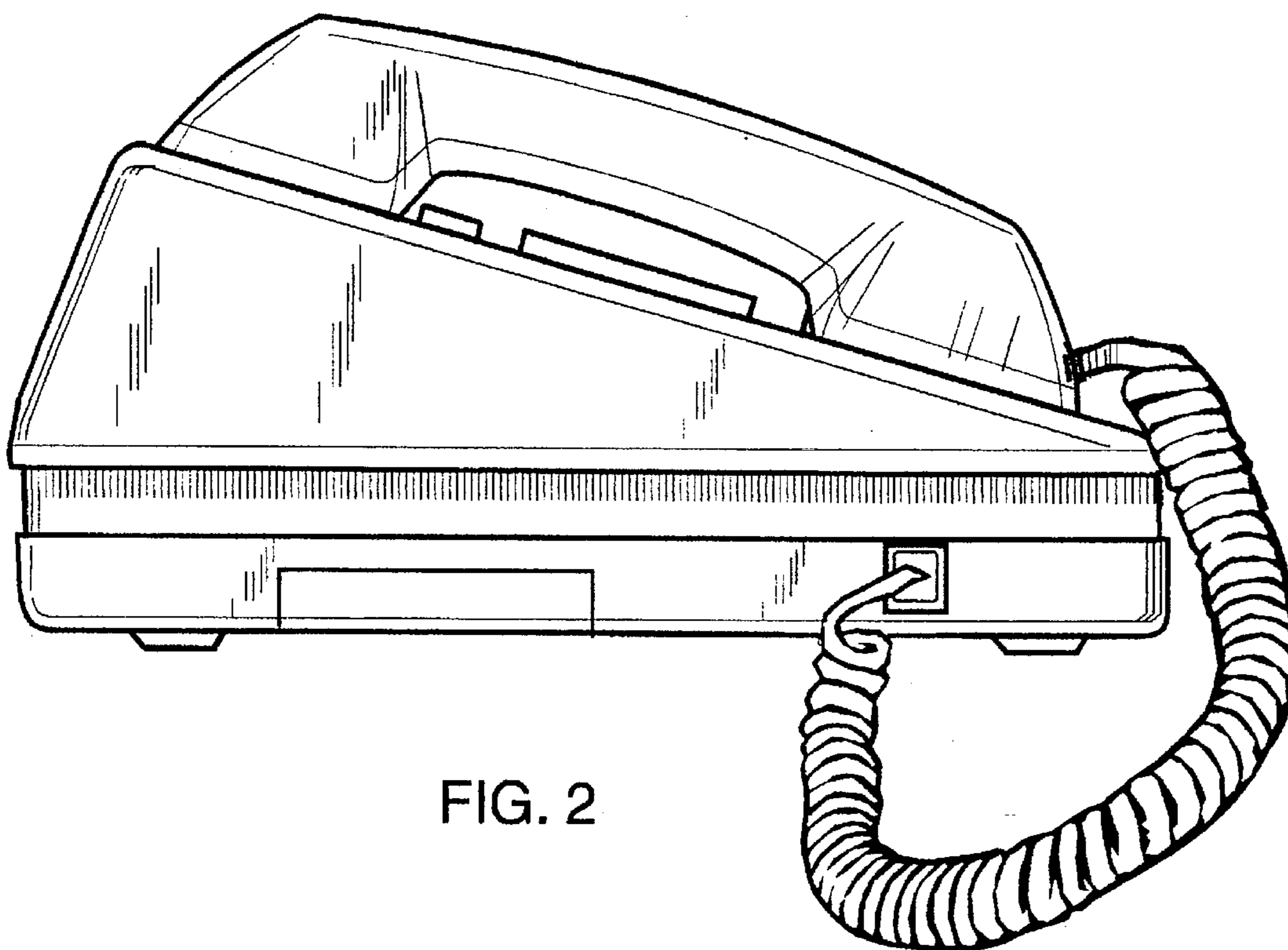


FIG. 2

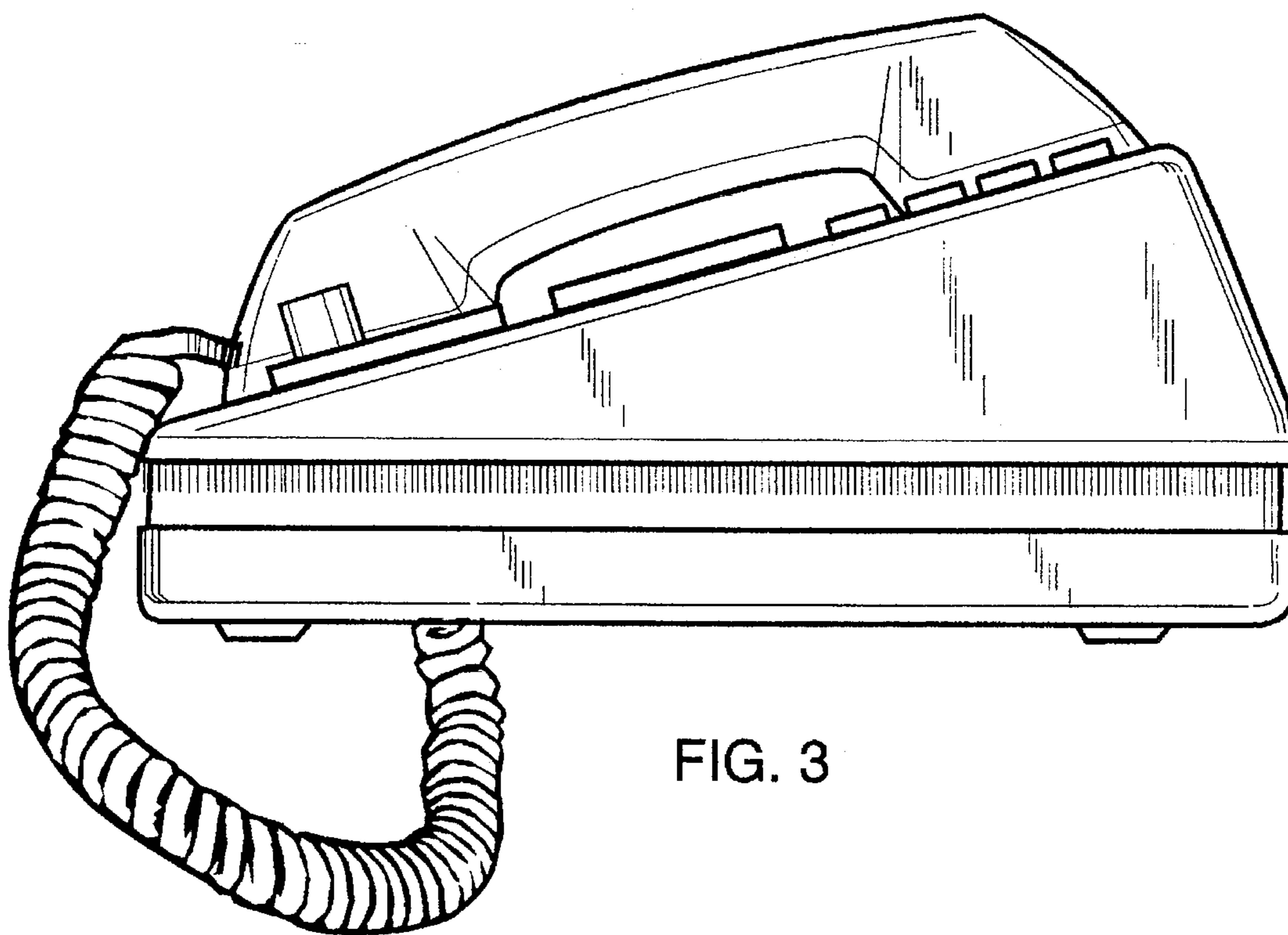


FIG. 3

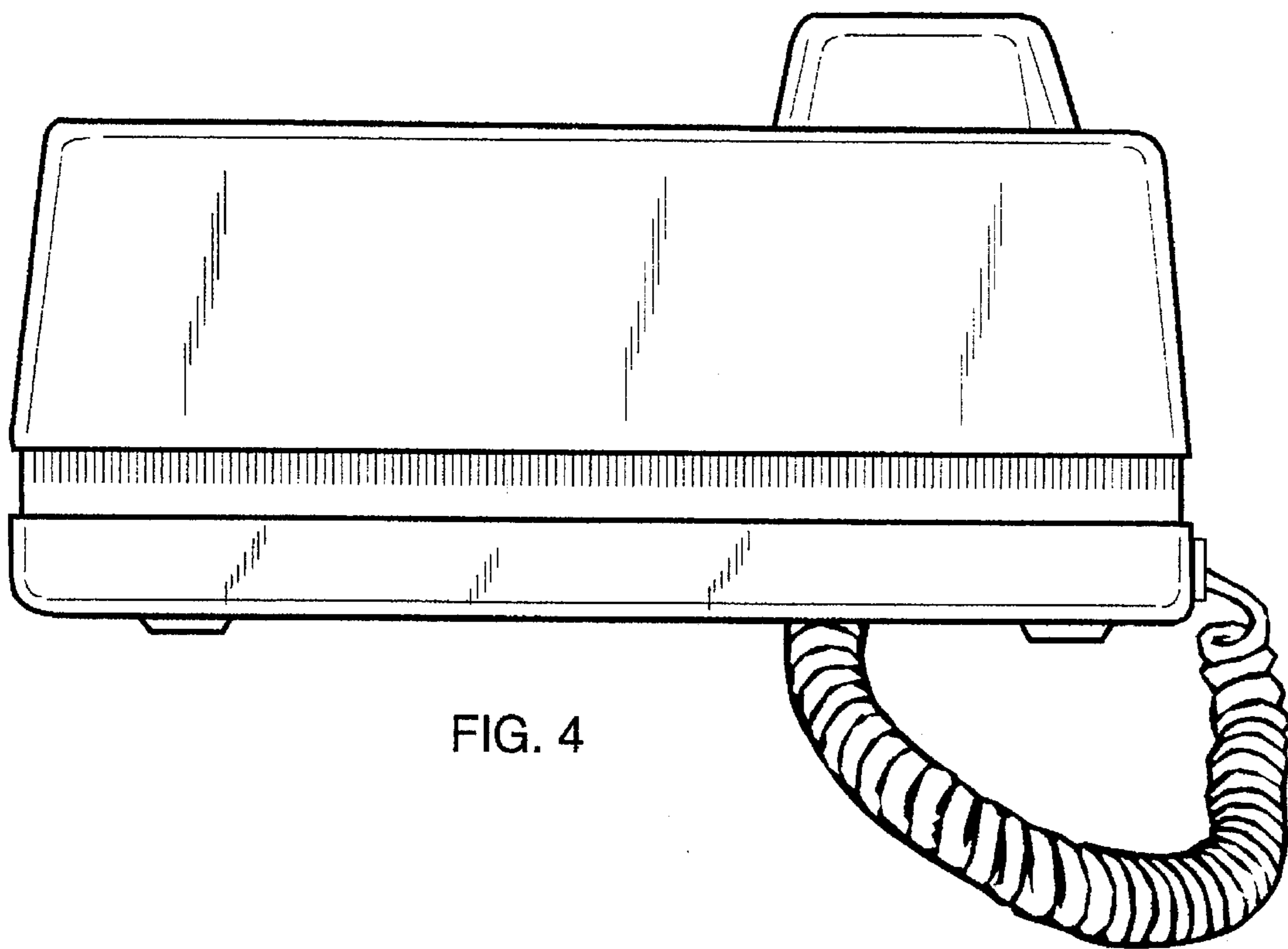


FIG. 4

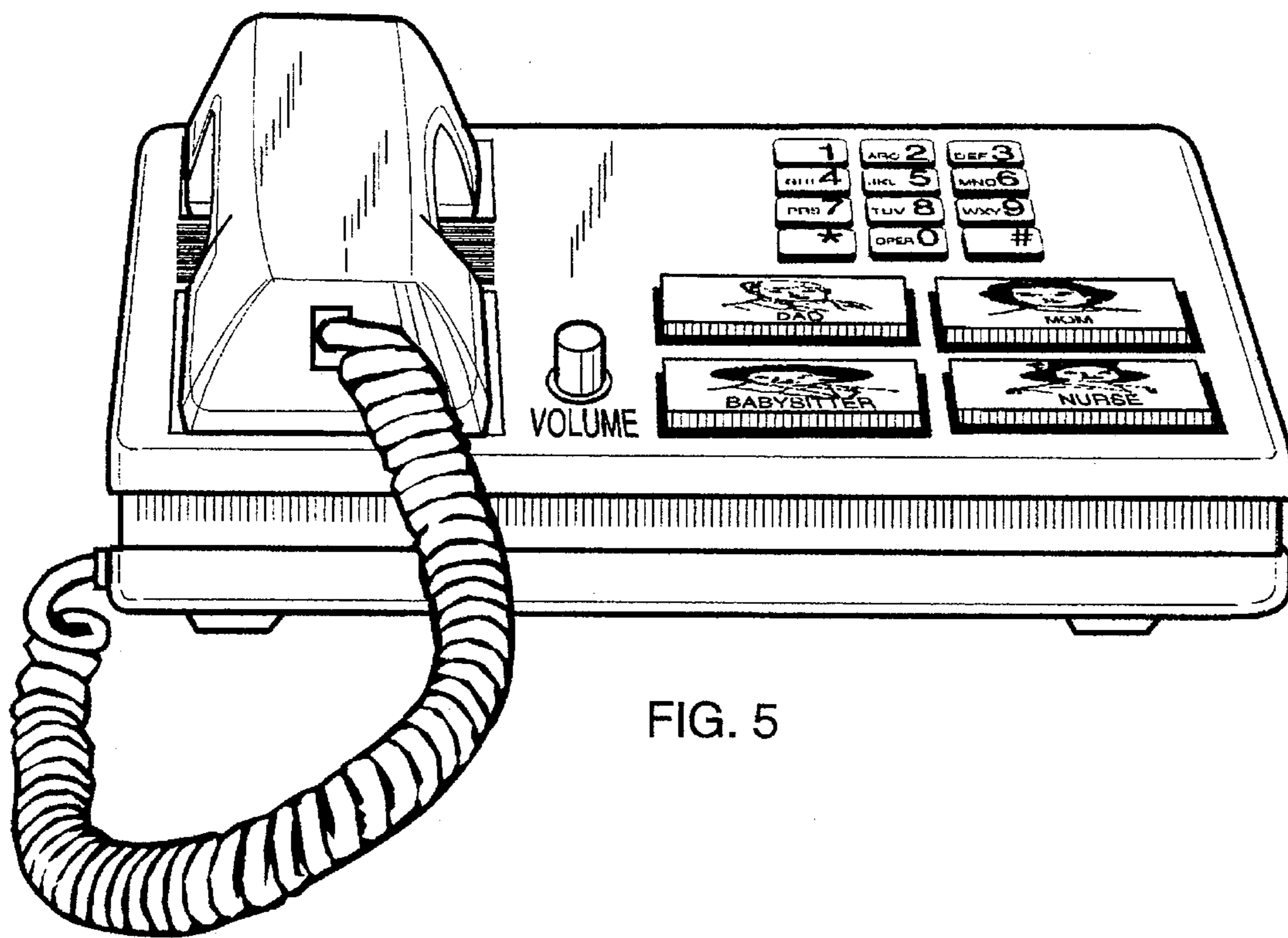


FIG. 5

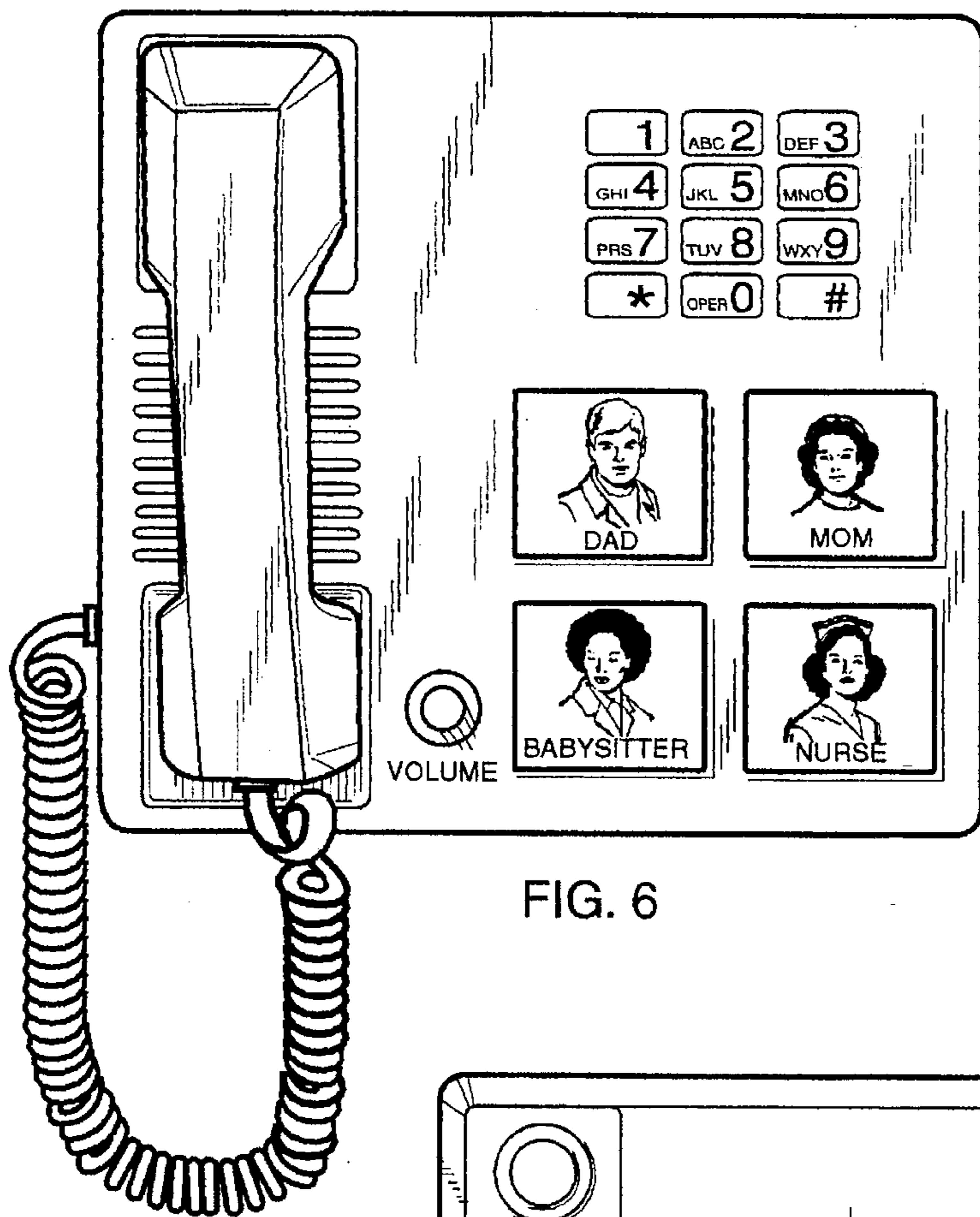


FIG. 6

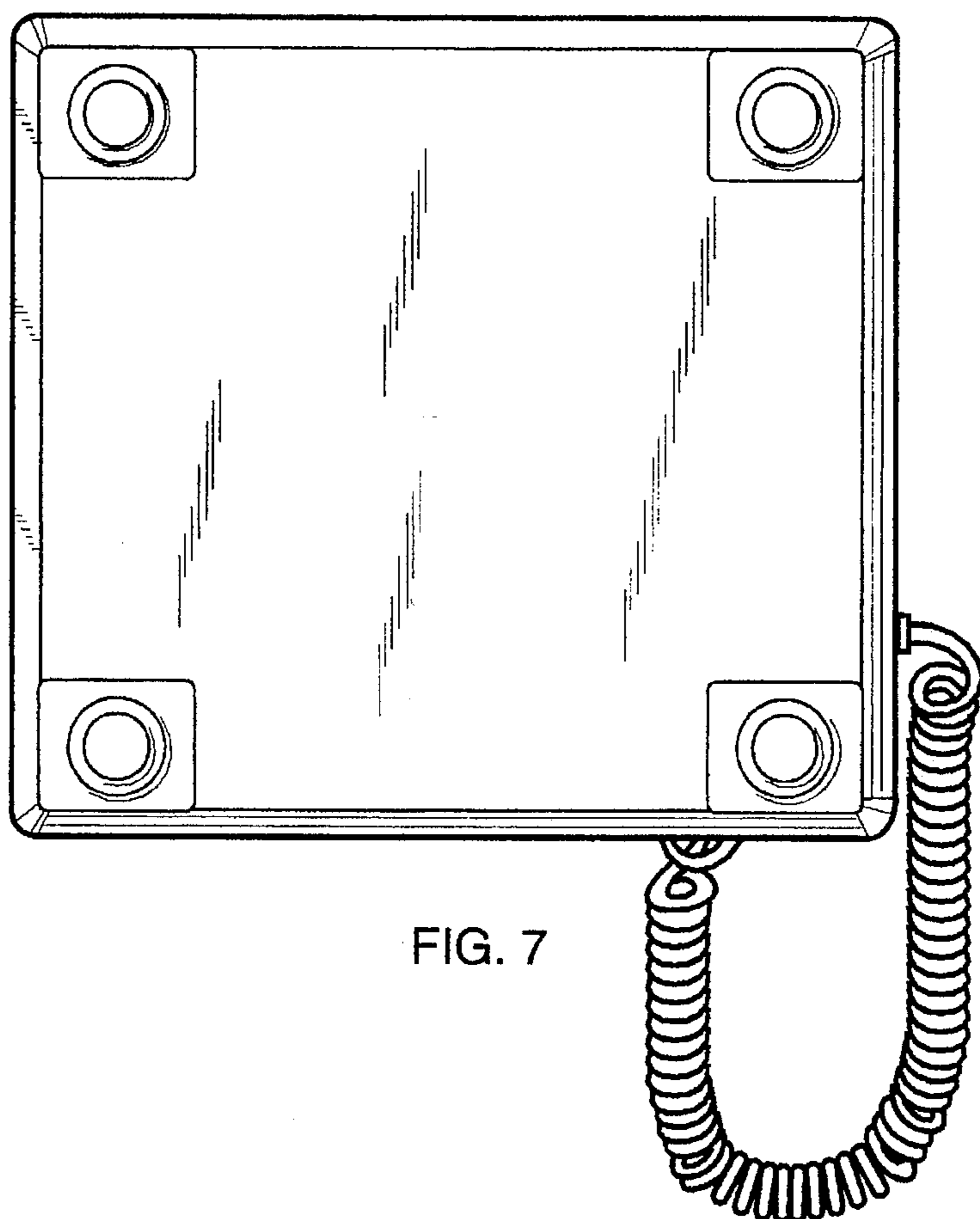


FIG. 7