



US00D375306S

United States Patent [19]
Iribe

[11] **Patent Number: Des. 375,306**

[45] **Date of Patent: **Nov. 5, 1996**

[54] **VIDEO TAPE RECORDER**

D. 348,662 7/1994 Kim D14/136

[75] Inventor: **Toshio Iribe**, Tokyo, Japan

Primary Examiner—B. J. Bullock

Assistant Examiner—Richelle Shelton

[73] Assignee: **Sony Corporation**, Tokyo, Japan

Attorney, Agent, or Firm—Foley & Lardner

[**] Term: **14 Years**

[57] **CLAIM**

[21] Appl. No.: **33,297**

The ornamental design for a video tape recorder, as shown and described.

[22] Filed: **Jan. 9, 1995**

DESCRIPTION

[30] **Foreign Application Priority Data**

FIG. 1 is a perspective view of a video tape recorder showing my new design;

Jul. 8, 1994 [JP] Japan 6-20557

FIG. 2 is a top plan view thereof;

[52] **U.S. Cl.** **D14/135**

FIG. 3 is a right side elevational view thereof;

[58] **Field of Search** D14/124, 135,
D14/136, 156, 239, 299

FIG. 4 is a rear elevational view thereof;

FIG. 5 is a left elevational view thereof;

[56] **References Cited**

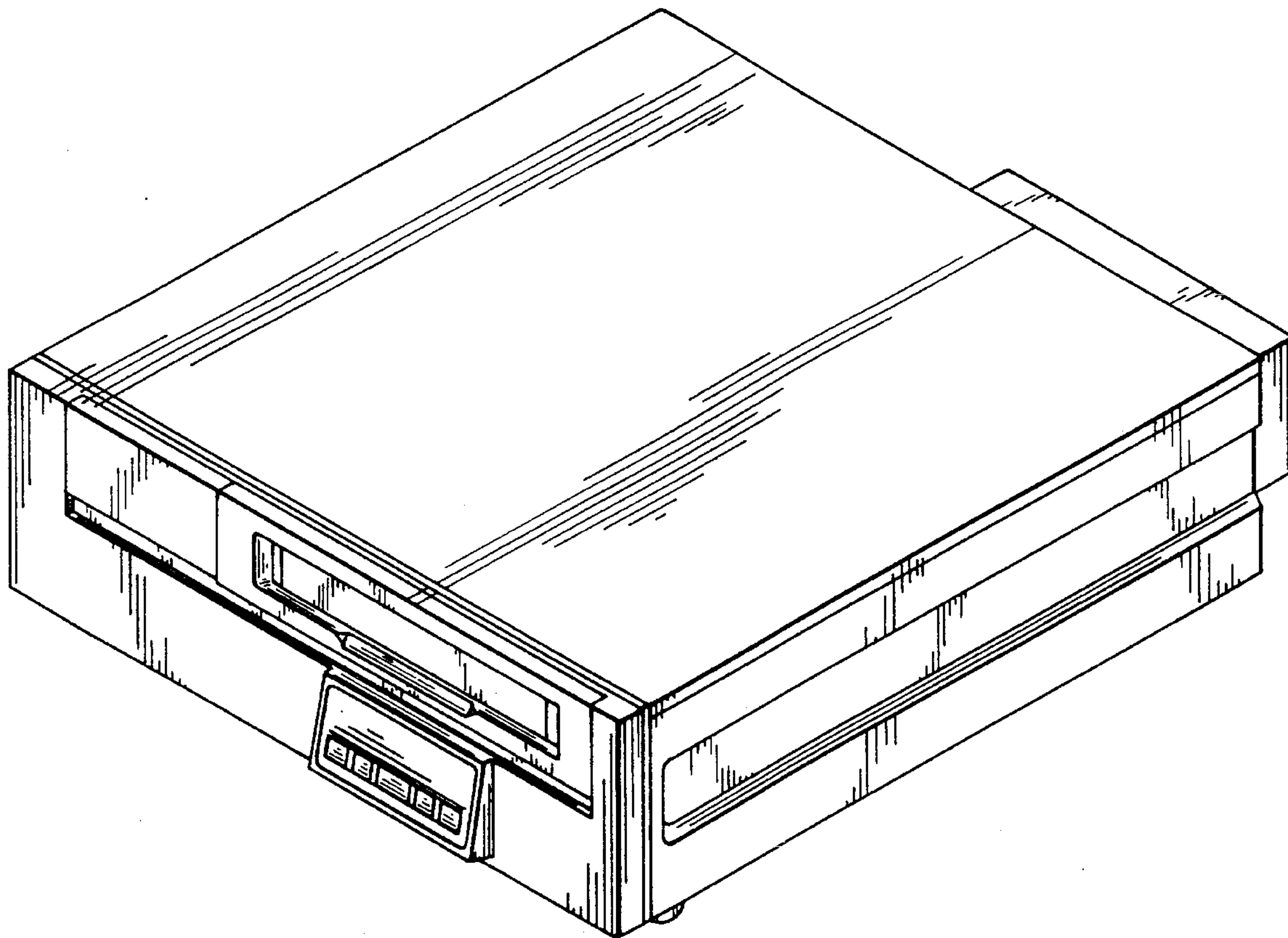
FIG. 6 is a front elevational view thereof; and,

U.S. PATENT DOCUMENTS

FIG. 7 is a bottom plan view thereof.

D. 323,498 1/1992 Bang D14/135

1 Claim, 3 Drawing Sheets



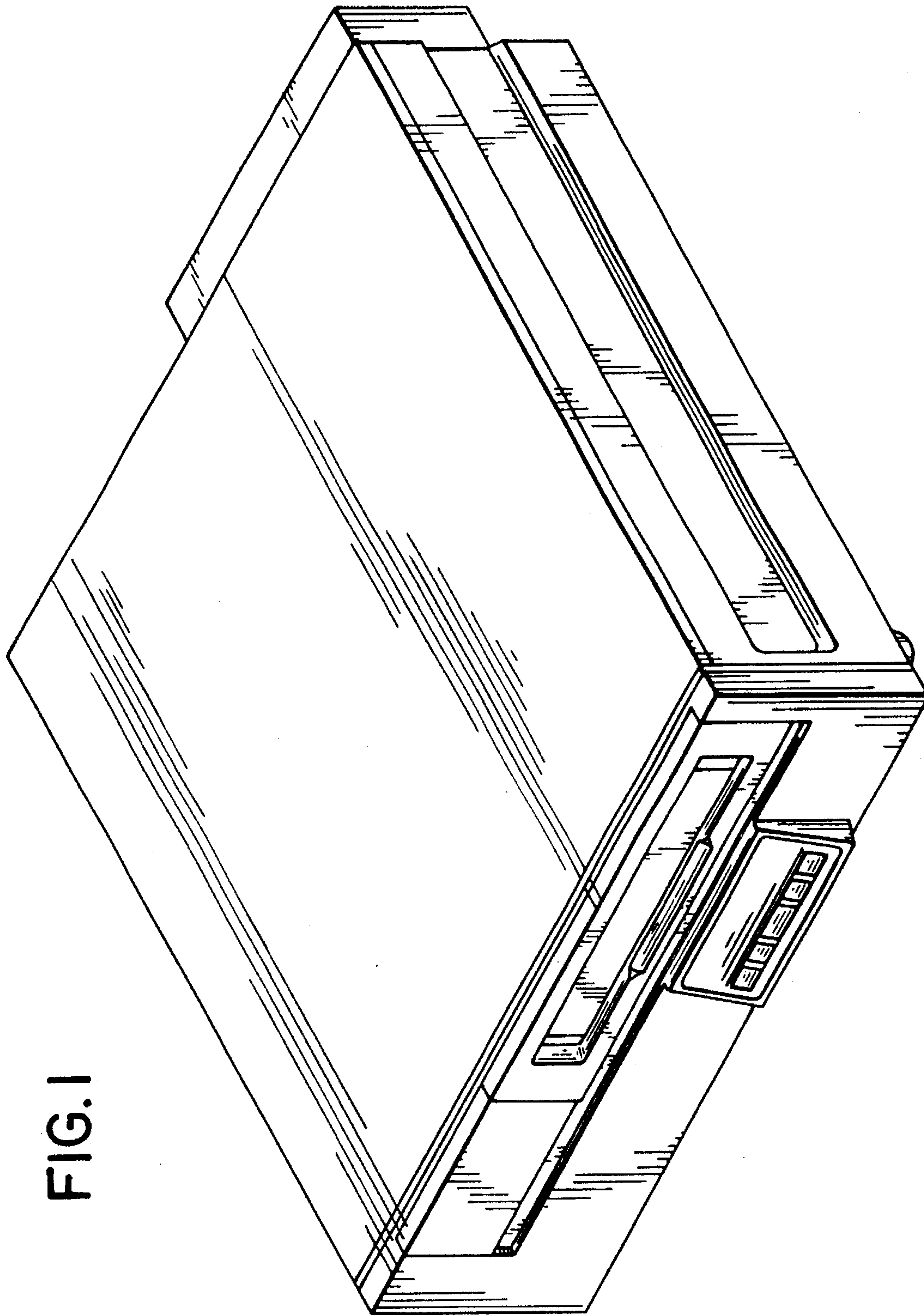


FIG. 1

FIG. 2

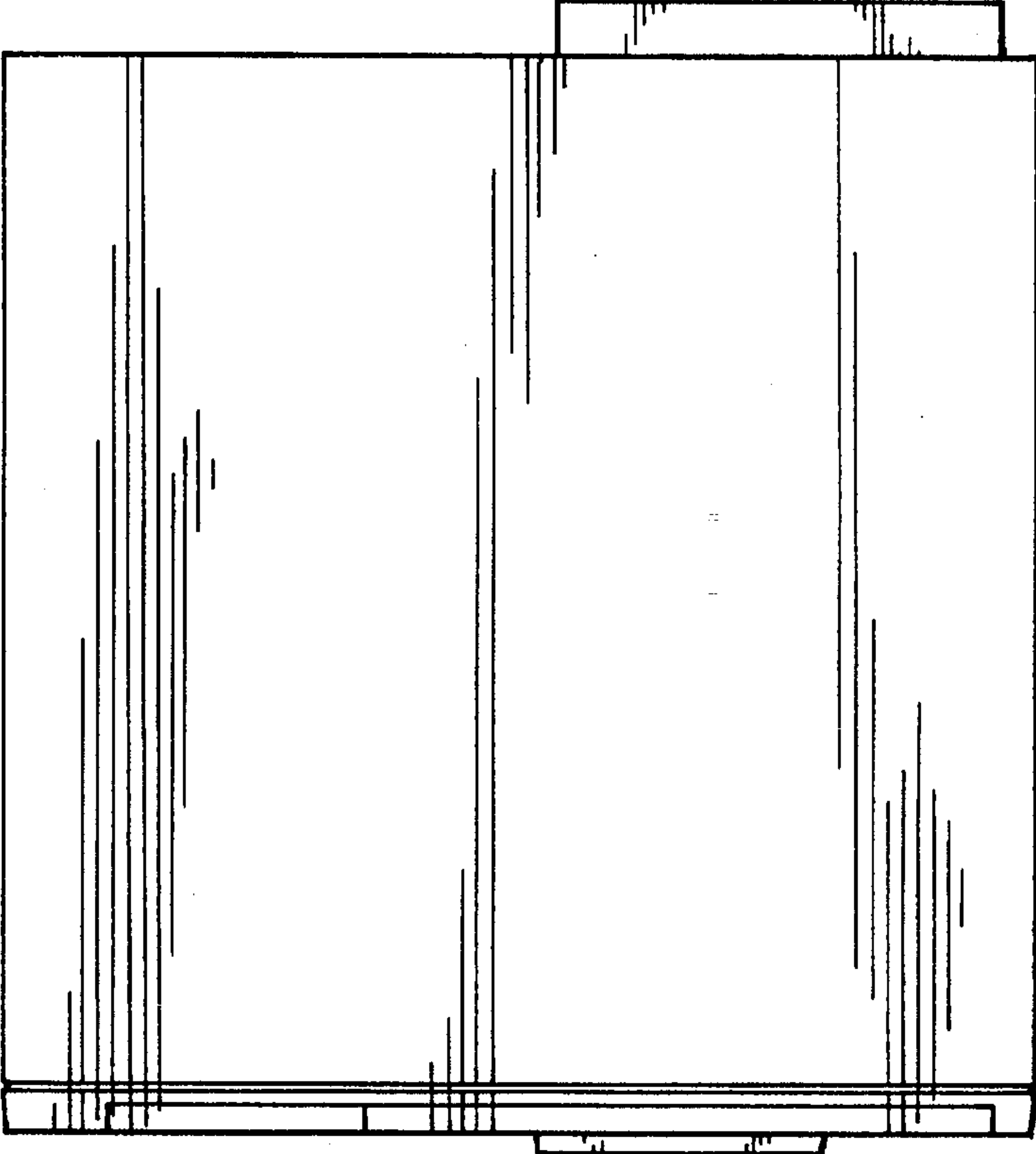


FIG. 3

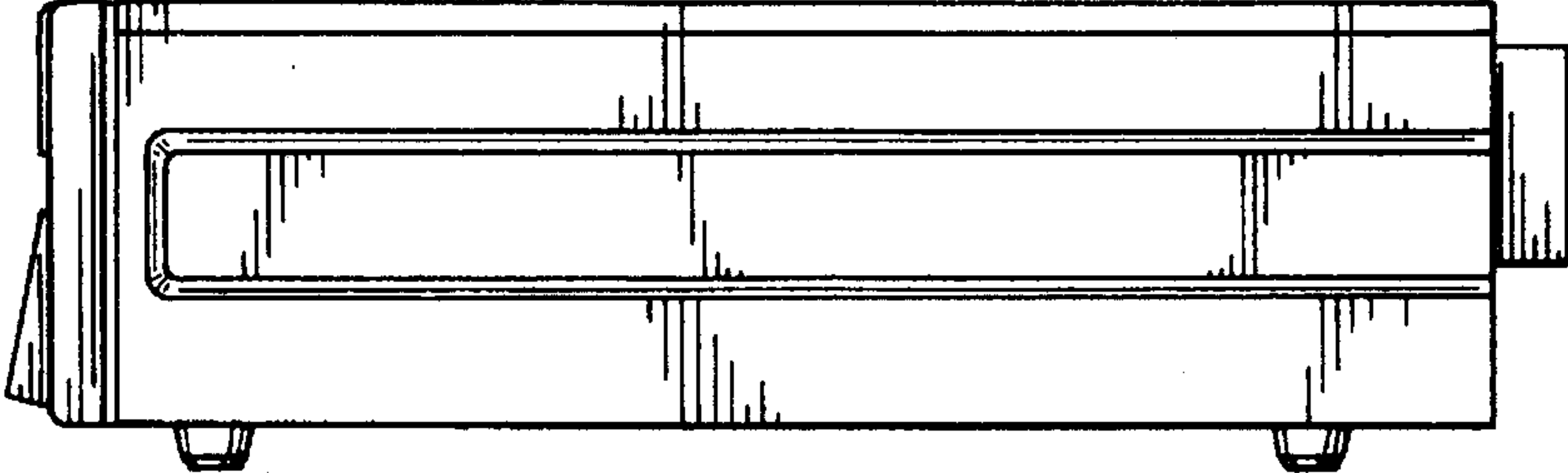


FIG. 4

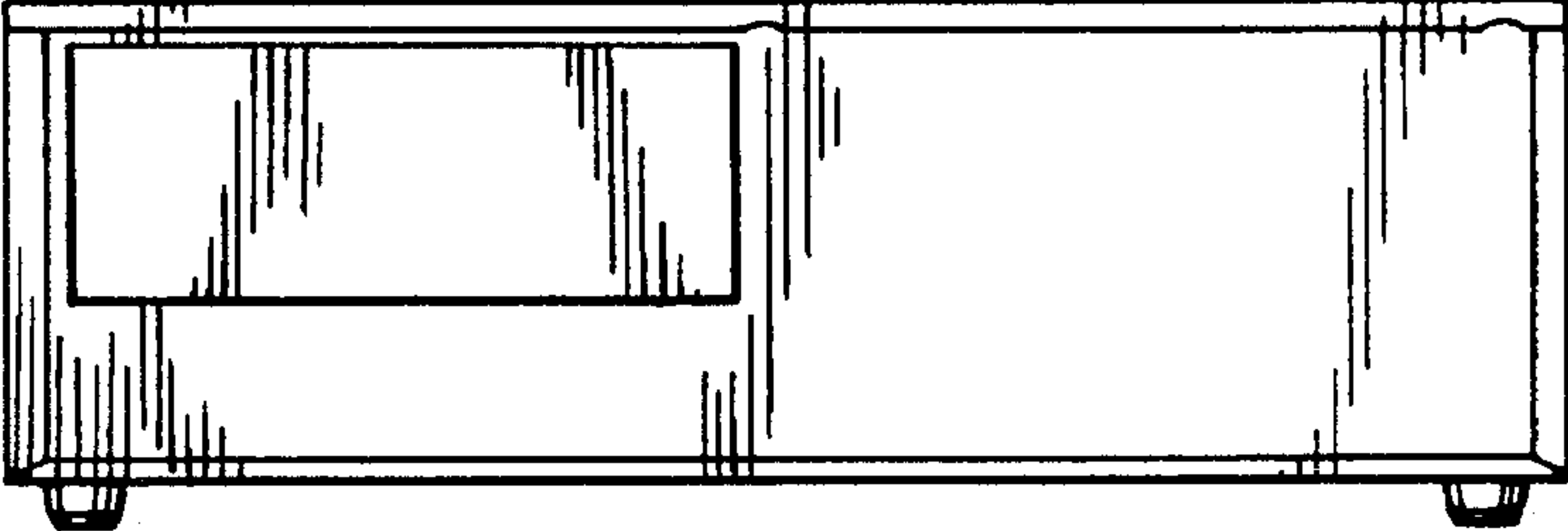


FIG.5

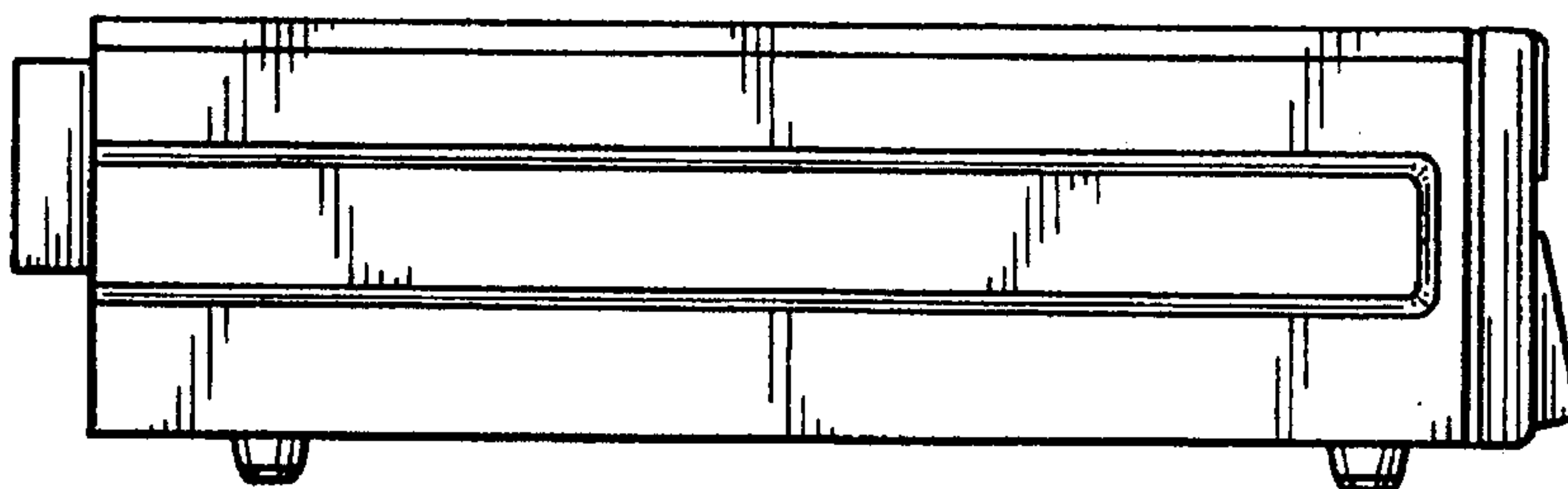


FIG.6

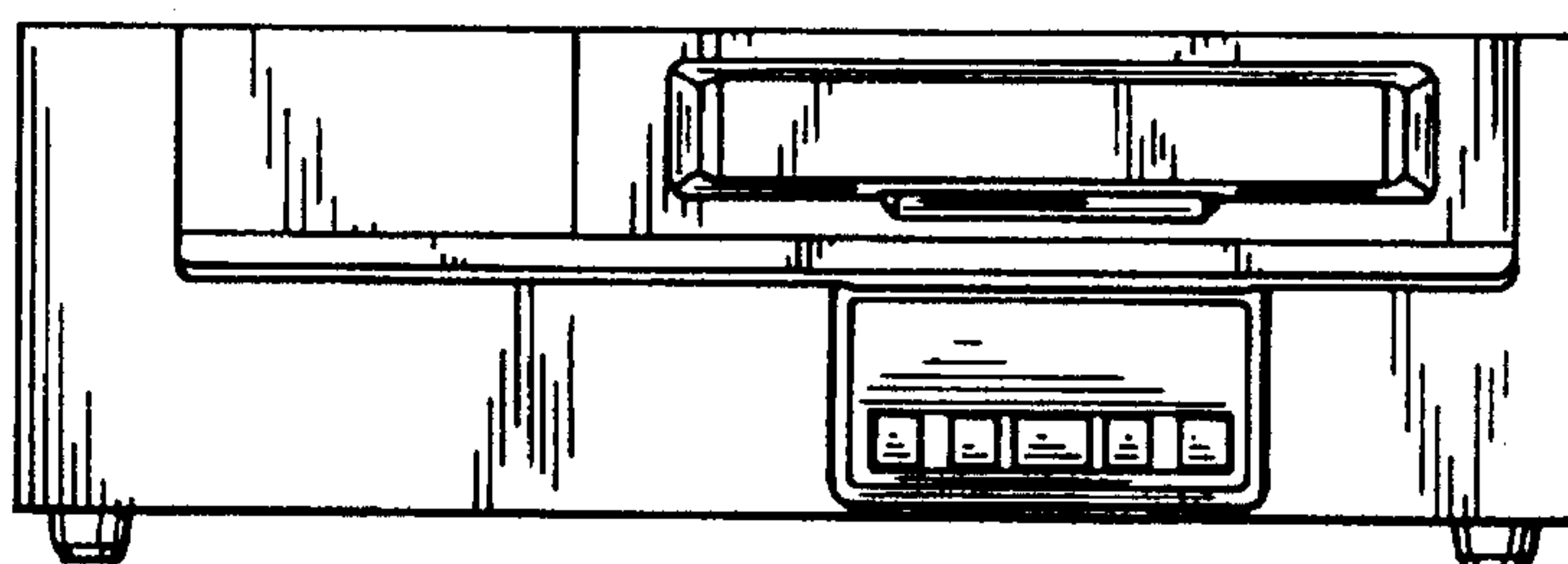


FIG.7

