



US00D375305S

United States Patent [19]

Hiraoka et al.

[11] Patent Number: **Des. 375,305**

[45] Date of Patent: ****Nov. 5, 1996**

[54] **DIGITAL VIDEO CASSETTE**

[75] Inventors: **Takashi Hiraoka; Kazuhiro Ueda**, both of Osaka; **Sadayoshi Azuma**, Kyoto; **Akio Ohno; Hiroyuki Matsumoto**, both of Osaka; **Kunihiko Kaneda**, Okayama; **Akihiro Nishimura**, Osaka, all of Japan

[73] Assignee: **Matsushita Electric Industrial Co., Ltd.**, Osaka, Japan

[**] Term: **14 Years**

[21] Appl. No.: **48,737**

[22] Filed: **Jan. 16, 1996**

[52] U.S. Cl. **D14/121**

[58] Field of Search D14/121, 100, D14/114, 299, 122; 242/348, 348.4, 341; 273/148 B, 433-438, DIG. 28; D21/13, 48; 360/132, 133

[56] **References Cited**

U.S. PATENT DOCUMENTS

D. 296,780	7/1988	Kinoshita	D14/121
D. 329,854	9/1992	Isozaki	D14/121
D. 336,902	6/1993	Horikiri	D14/121
D. 364,614	11/1995	Bailey et al.	D14/121

D. 366,039	1/1996	Baley et al.	D14/121
4,754,357	6/1988	Nelson	360/132
4,858,848	8/1989	Kotoko et al.	242/346.2 X

OTHER PUBLICATIONS

Copy of page from Sony catalog.
Hong Kong Enterprise, Oct. 1994, p. 304.

Primary Examiner—Prabhakar G. Deshmukh
Attorney, Agent, or Firm—Sughrue, Mion, Zinn, Macpeak & Seas

[57] **CLAIM**

The ornamental design for a digital video cassette, as shown and described.

DESCRIPTION

FIG. 1 is a perspective view of the top, front and left side of a digital video cassette showing our new design; FIG. 2 is a top plan view thereof; FIG. 3 is a rear elevational view thereof; FIG. 4 is a side elevational view of one side thereof, the opposite side being identical; FIG. 5 is a front elevational view thereof; FIG. 6 is a bottom plan view thereof; and, FIG. 7 is a perspective view of the top, rear and left side thereof with a rear cover in the raised position.

1 Claim, 3 Drawing Sheets

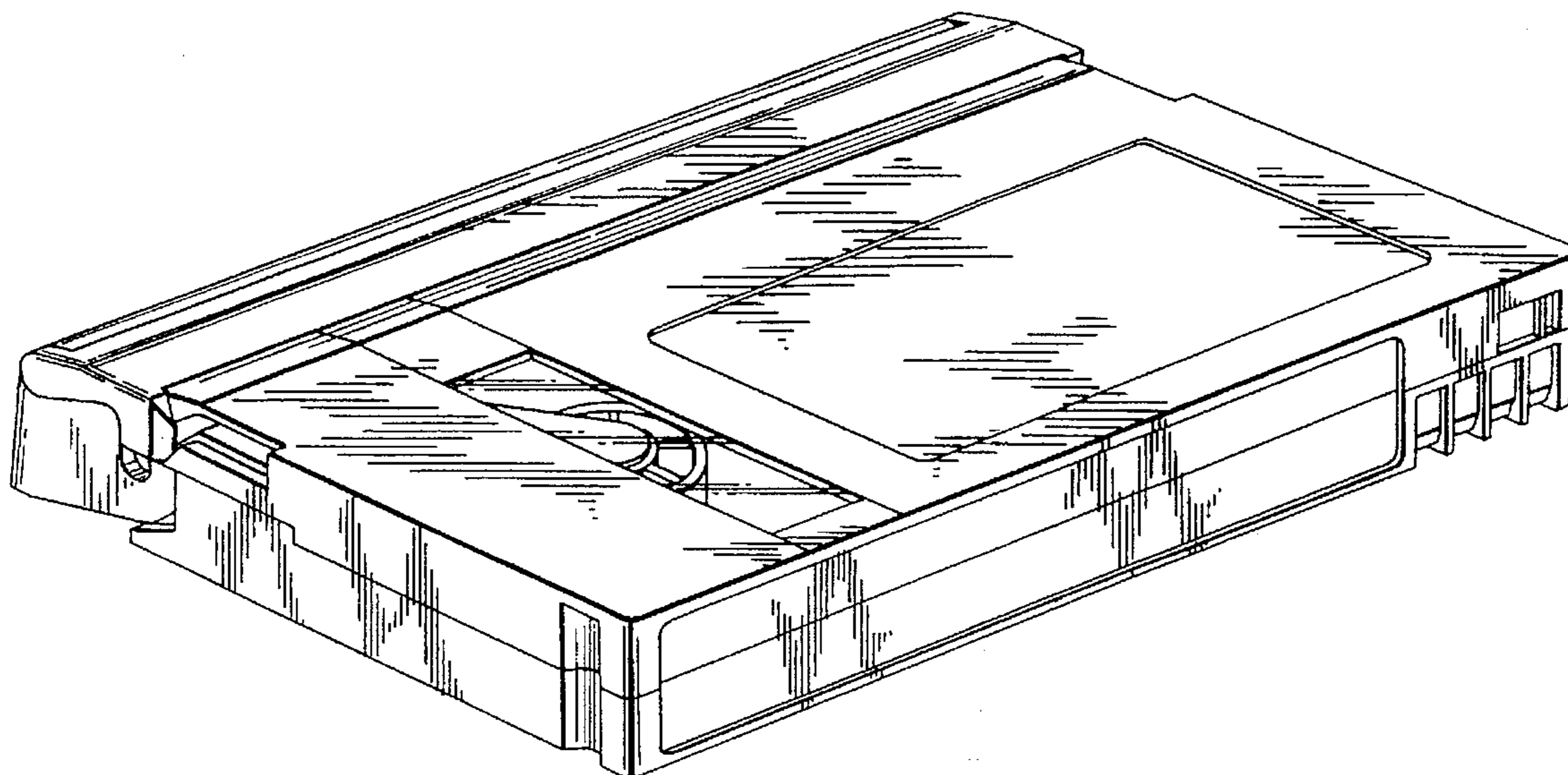


FIG. 1

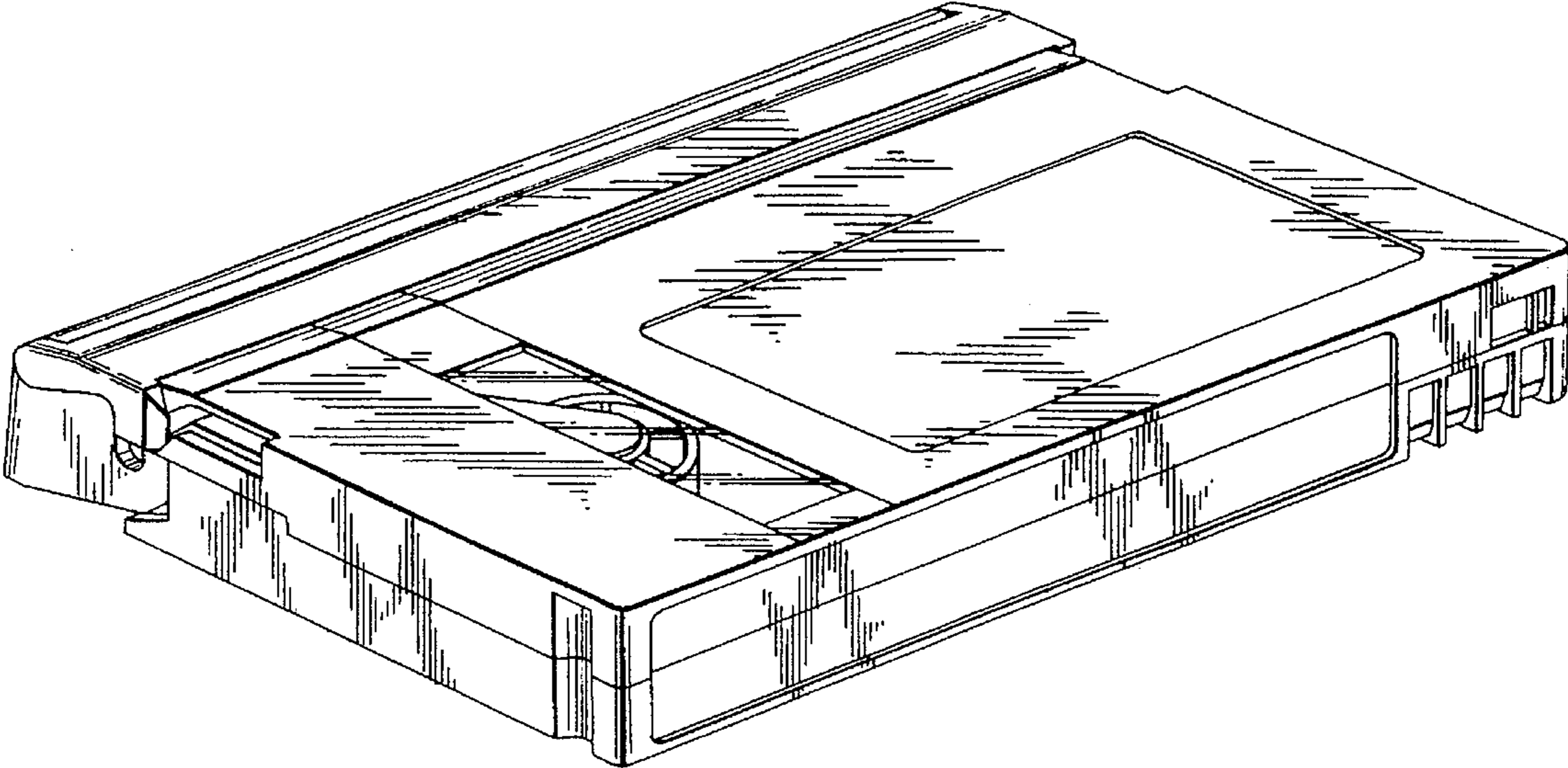


FIG. 2

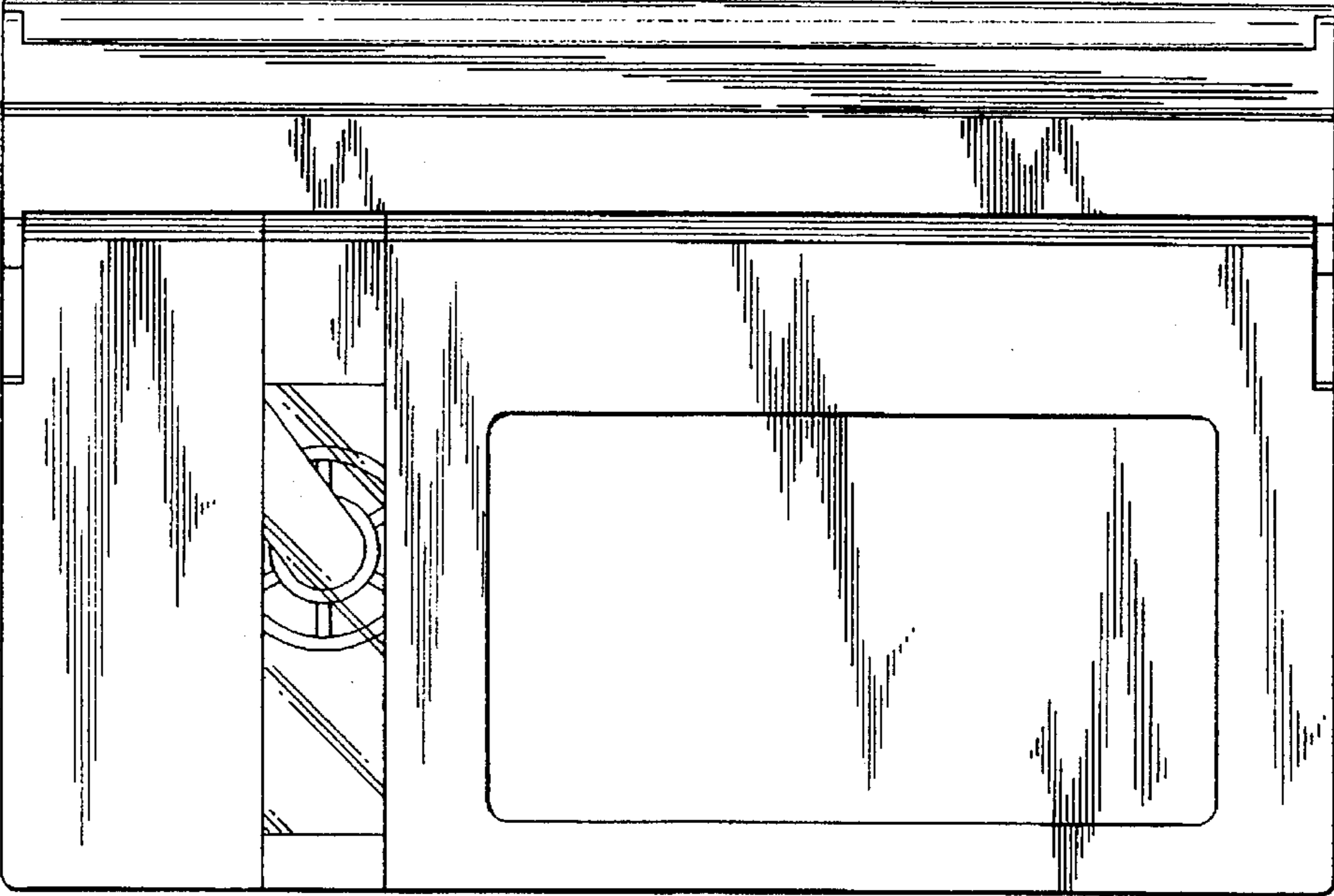


FIG. 3



FIG. 4

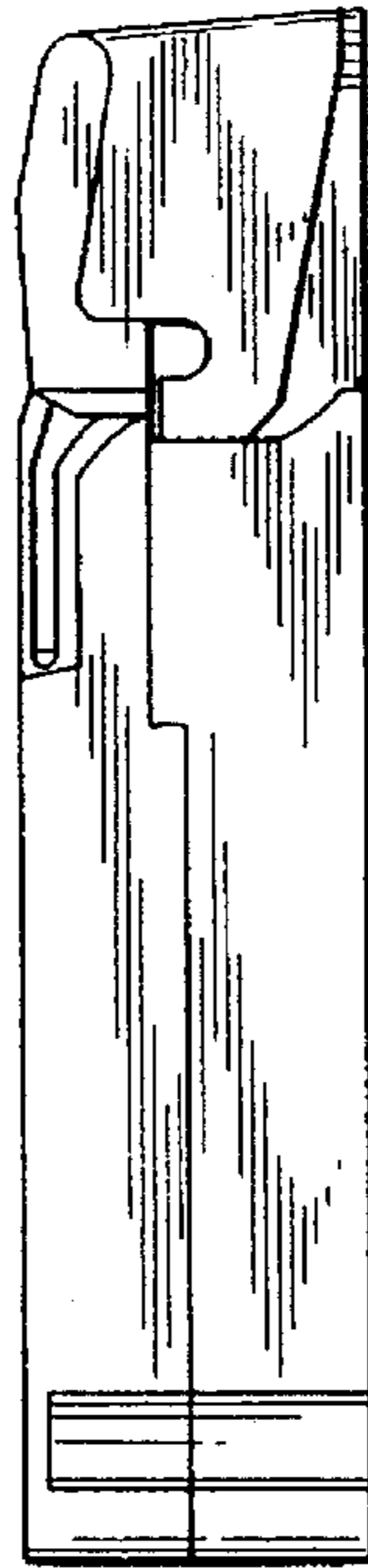


FIG. 5

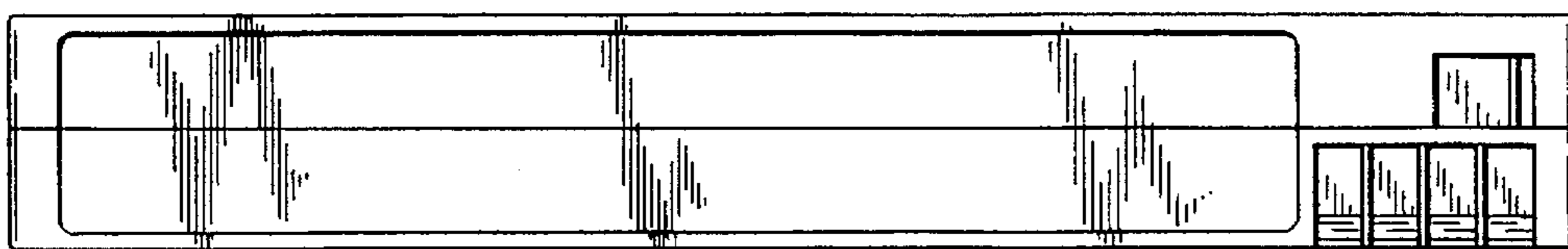


FIG. 6

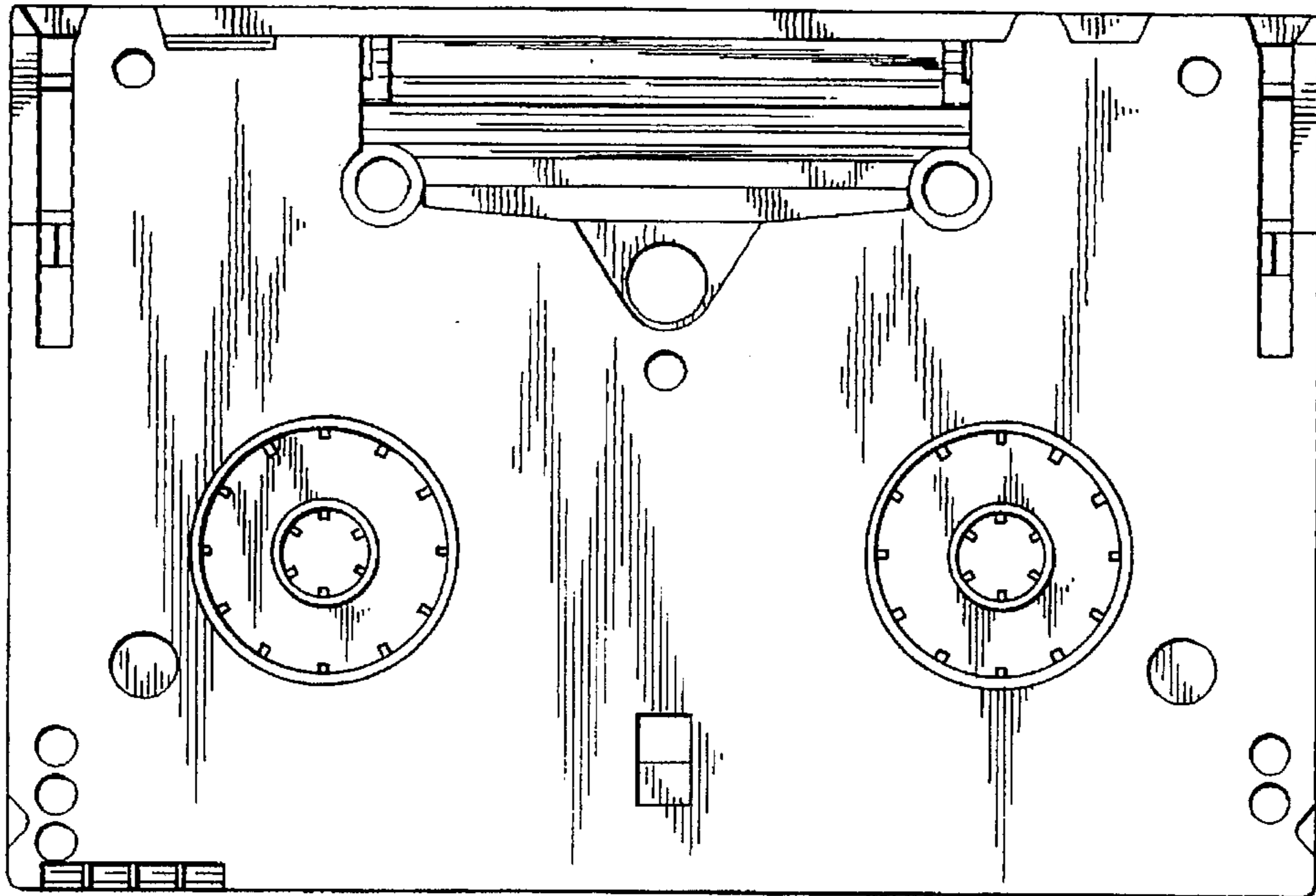


FIG. 7

