



US00D375304S

United States Patent [19]

Takahata et al.

[11] Patent Number: Des. 375,304

[45] Date of Patent: **Nov. 5, 1996

[54] CARTRIDGE FOR A VIDEO GAME MACHINE WITH SEAL PRINTER

[75] Inventors: Kenji Takahata, Hino; Tadahisa Sawano, Hachiohji, both of Japan

[73] Assignee: Casio Computer Co., Ltd., Tokyo, Japan

[**] Term: 14 Years

[21] Appl. No.: 48,431

[22] Filed: Dec. 28, 1995

[52] U.S. Cl. D14/121; D21/48; D21/13

[58] Field of Search D21/1, 13, 48; 273/148 B, 433-438, DIG. 28; D14/124, 125, 217, 121, 114; D18/56, 50, 53

[56] References Cited

U.S. PATENT DOCUMENTS

Re. 34,161	1/1993	Nakagawa et al.	273/435 X
D. 312,081	11/1990	Yukawa	D14/121
D. 318,273	7/1991	Takaichi	D14/121
D. 330,370	10/1992	Tseng	D14/121 X
D. 332,275	1/1993	Katsunz	D18/56
D. 341,855	11/1993	Tortola et al.	D21/48
5,192,082	3/1993	Inoue et al.	273/435

FOREIGN PATENT DOCUMENTS

0431723	6/1991	European Pat. Off.	273/435
0501456	9/1992	European Pat. Off.	273/435

OTHER PUBLICATIONS

Hongkong Enterprise, Oct. 1992, p. 174.
Hongkong Enterprise, Oct. 1994, p. 137.

Primary Examiner—Prabhakar G. Deshmukh
Attorney, Agent, or Firm—Frishauf, Holtz, Goodman, Langer & Chick

[57] CLAIM

The ornamental design for a cartridge for a video game machine with seal printer, as shown and described.

DESCRIPTION

FIG. 1 is a front elevational view of a cartridge for a video game machine with seal printer showing our new design; FIG. 2 is a right side elevational view thereof, the left side elevational view being identical to the right side elevational view; FIG. 3 is a top plan view thereof; FIG. 4 is a bottom plan view thereof; FIG. 5 is a rear elevational view thereof; and, FIG. 6 is a perspective view thereof.

1 Claim, 2 Drawing Sheets

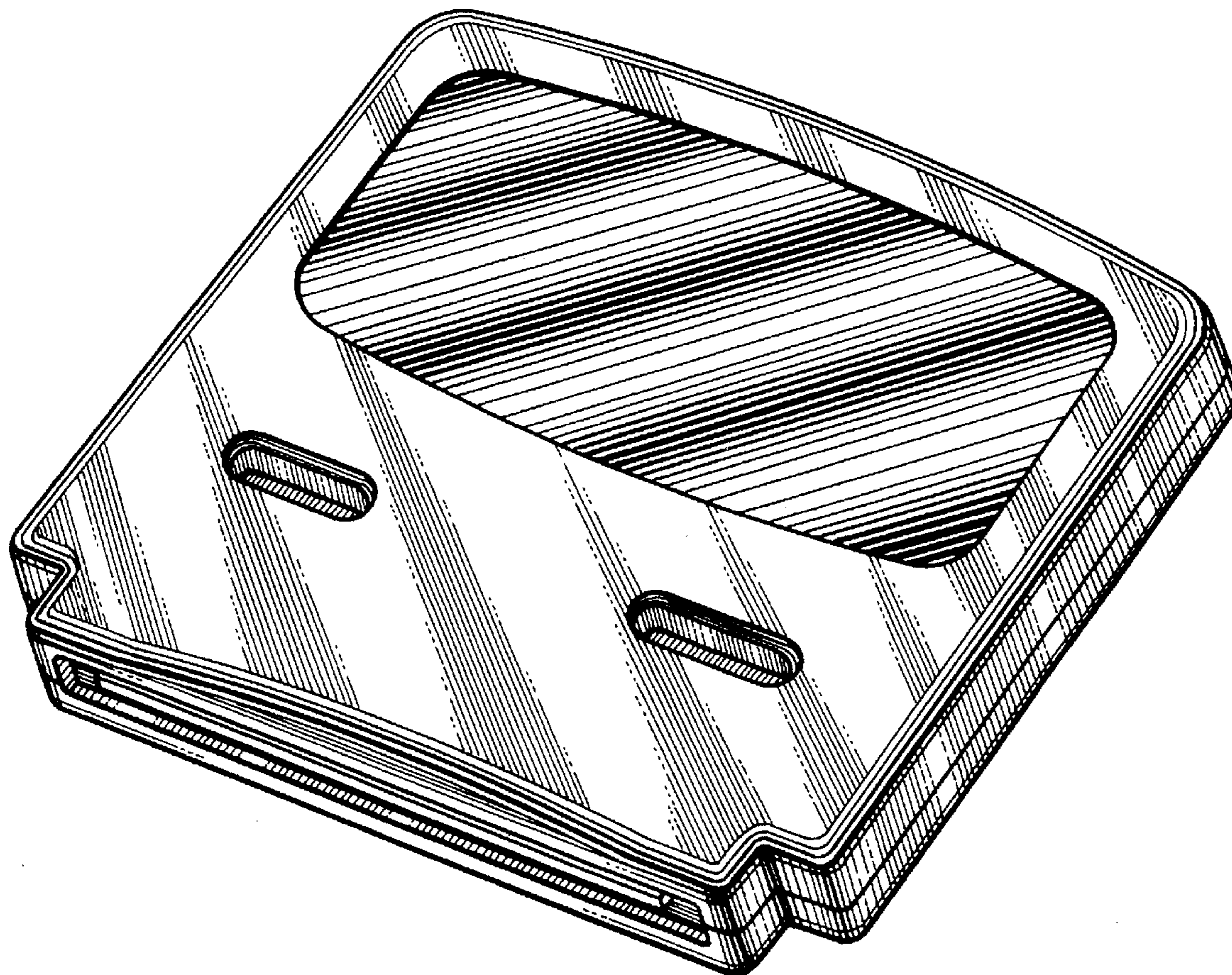


FIG. 3

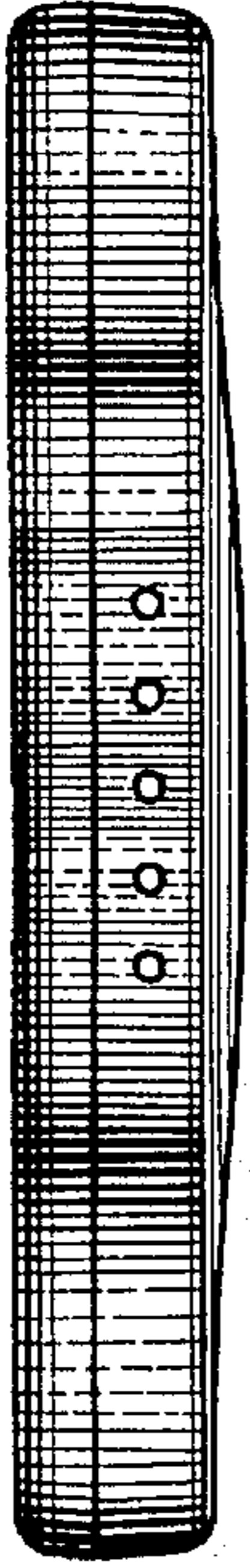


FIG. 1

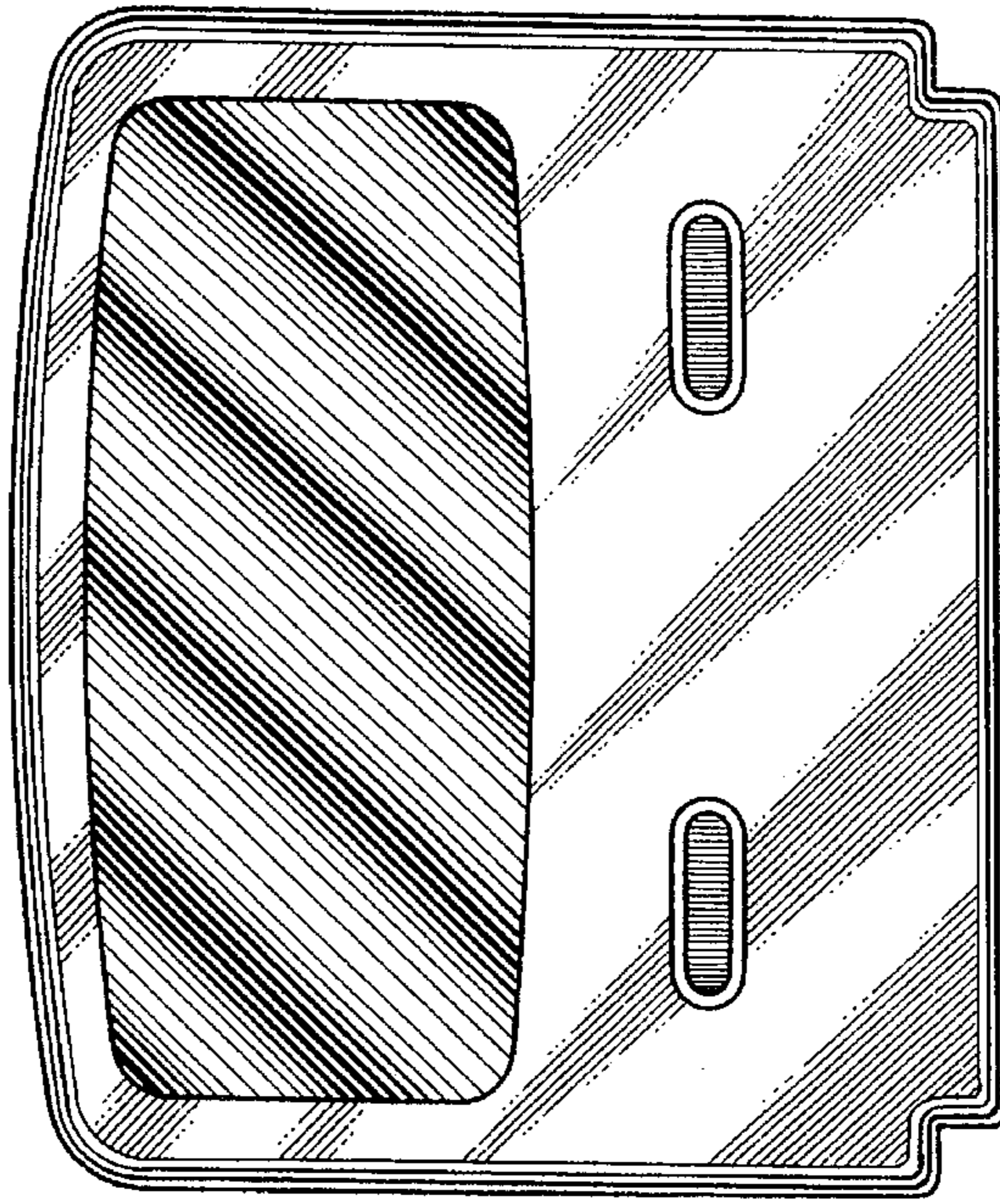


FIG. 2

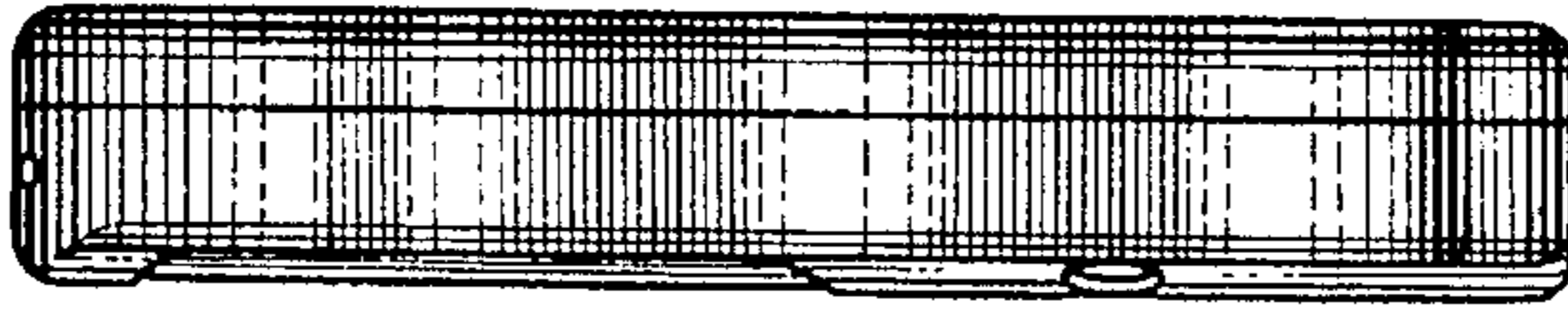


FIG. 5

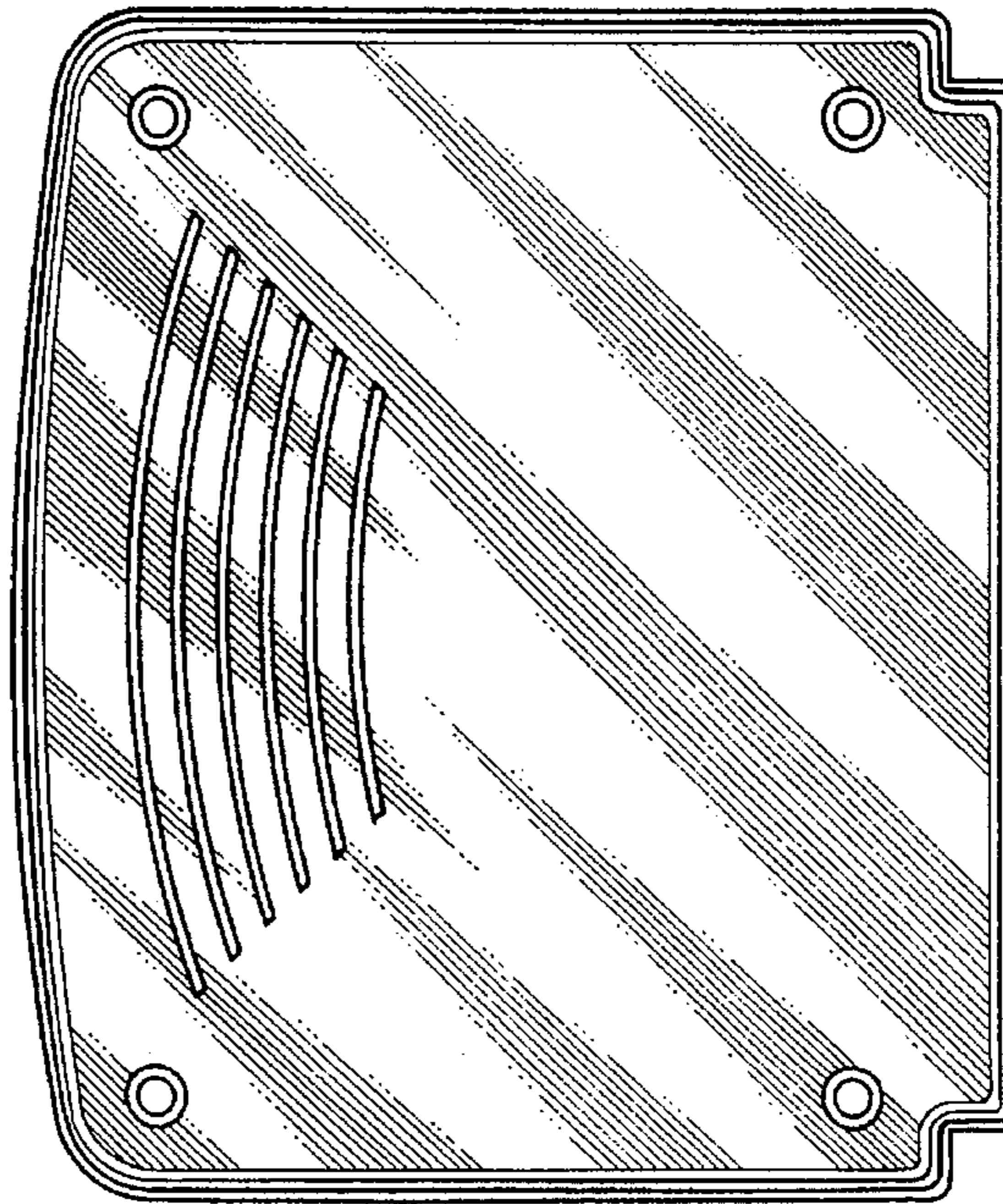


FIG. 4

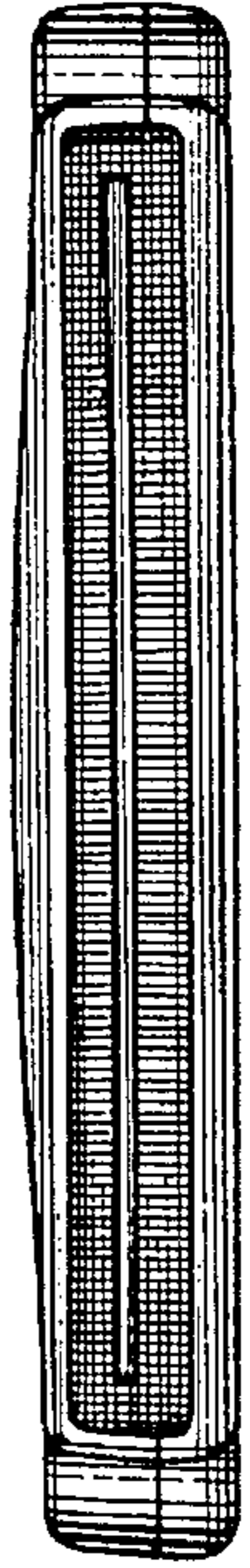


FIG. 6

