



US00D375302S

# United States Patent [19]

Darius et al.

[11] Patent Number: **Des. 375,302**

[45] Date of Patent: **\*\*Nov. 5, 1996**

[54] **VIDEO MONITOR OVERLAY**

[75] Inventors: **Ivan H. Darius**, Richardson; **Staci Ault**, Dallas; **Timothy W. Terleski**, Garland, all of Tex.

[73] Assignee: **MTI, Inc.**, Dallas, Tex.

[\*\*] Term: **14 Years**

[21] Appl. No.: **47,600**

[22] Filed: **Dec. 8, 1995**

[52] U.S. Cl. .... **D14/114**

[58] Field of Search ..... D14/113-4, 239; D18/18, 22, 12; 348/832-5; 359/599, 601, 608-10, 614, 894

[56] **References Cited**

**U.S. PATENT DOCUMENTS**

D. 311,739	10/1990	De Lucchi	.....	D14/114
D. 338,194	8/1993	Hartwig	.....	D14/114
D. 342,063	12/1993	Howitt et al.	.....	D14/114
D. 350,342	9/1994	Sack	.....	D14/114

D. 357,470	4/1995	Bergdoll et al.	.....	D14/114
D. 358,587	5/1995	Solero	.....	D14/114
D. 360,199	7/1995	Shu-Ying	.....	D14/114
D. 361,993	9/1995	Egly et al.	.....	D14/114

*Primary Examiner*—M. H. Tung  
*Attorney, Agent, or Firm*—Haynes and Boone, L.L.P.; Jeffrey M. Becker

[57] **CLAIM**

The ornamental design for a video monitor overlay, as shown and described.

**DESCRIPTION**

FIG. 1 is a perspective view of the video monitor overlay showing our new design, on a reduced scale; FIG. 2 is a front view thereof; FIG. 3 is a side view thereof, the opposite side is a mirror image; FIG. 4 is a rear view thereof; FIG. 5 is a top plan view thereof; and, FIG. 6 is a bottom plan view thereof.

**1 Claim, 3 Drawing Sheets**

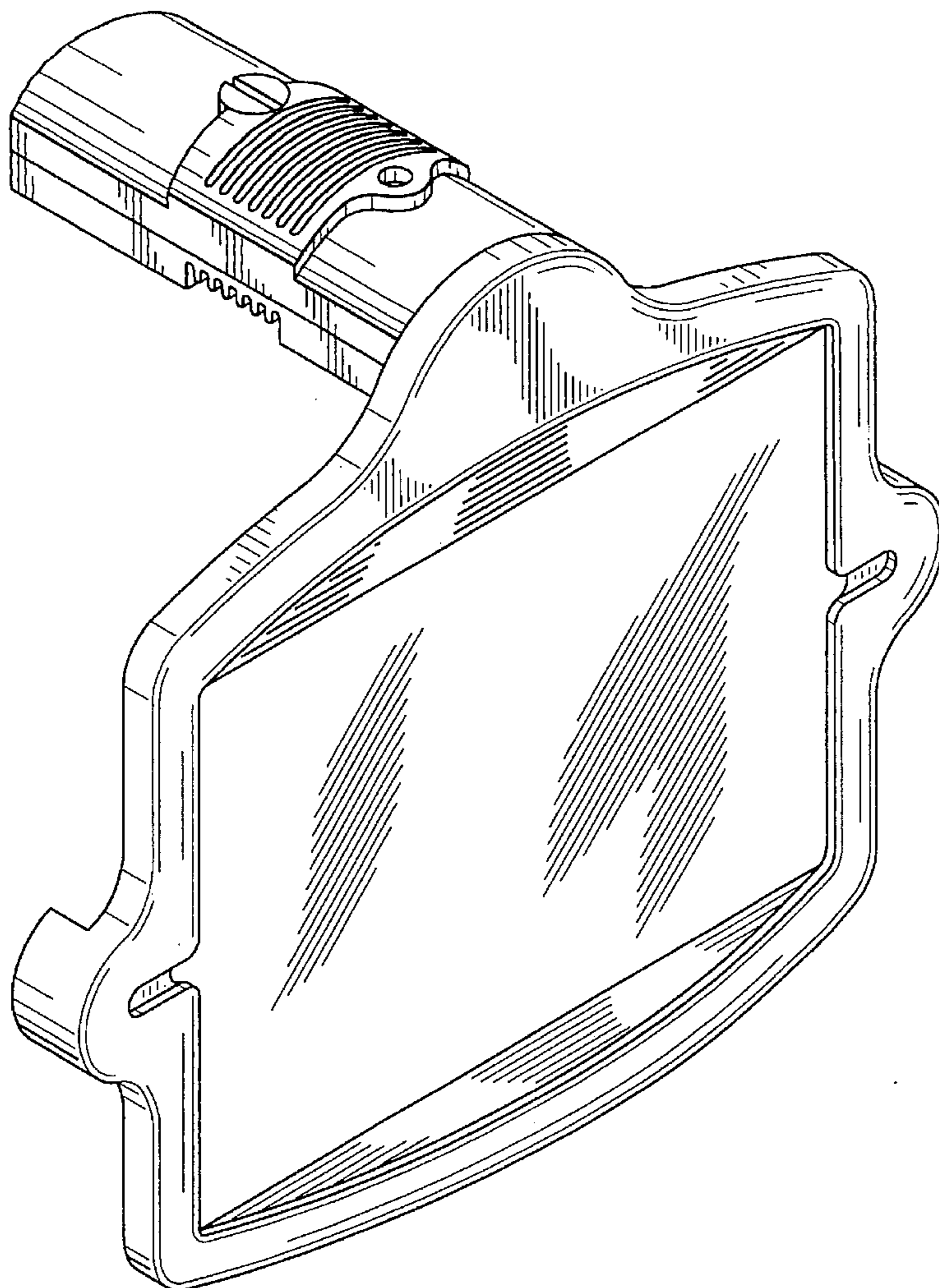


FIG. 1

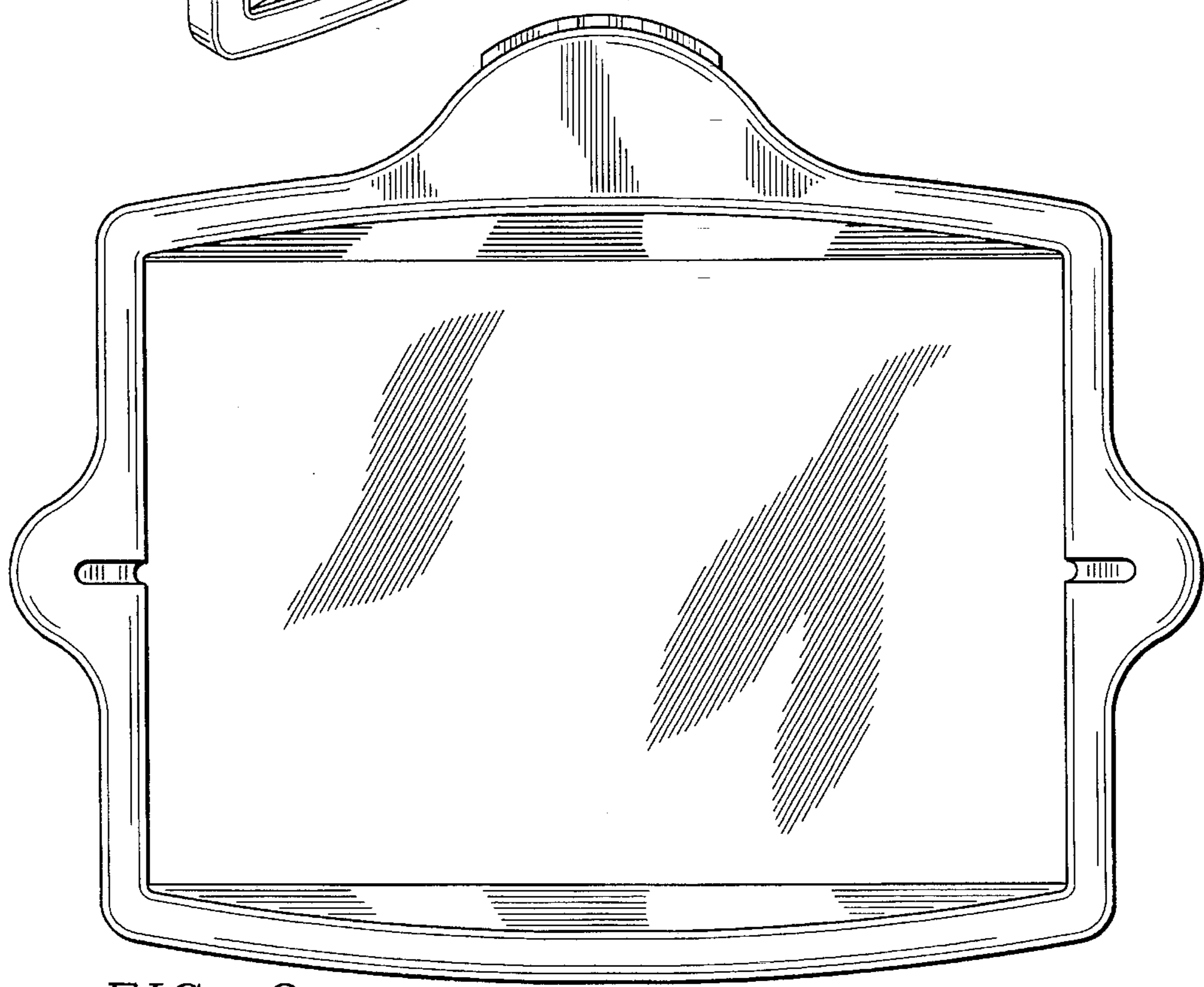
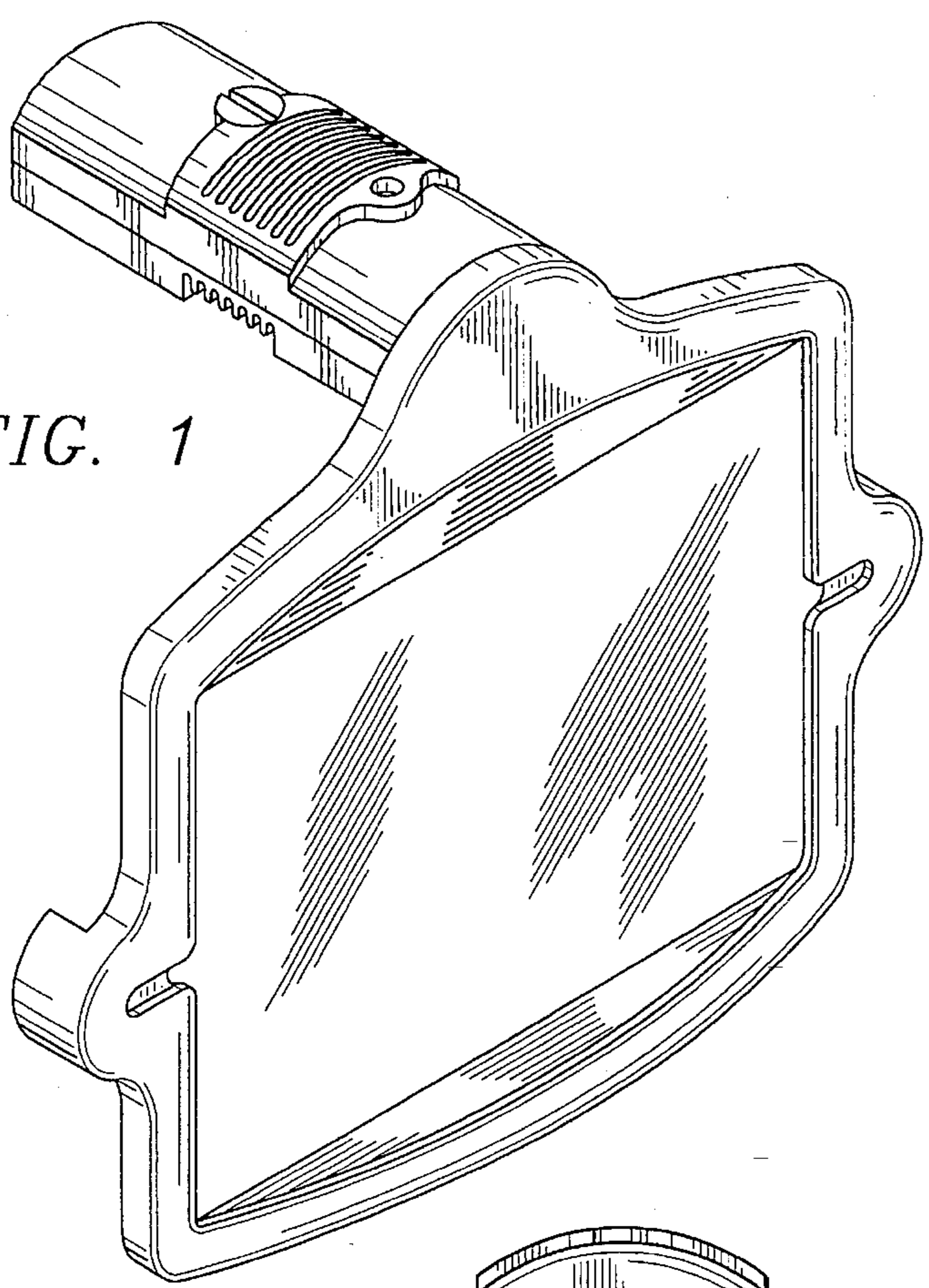


FIG. 2

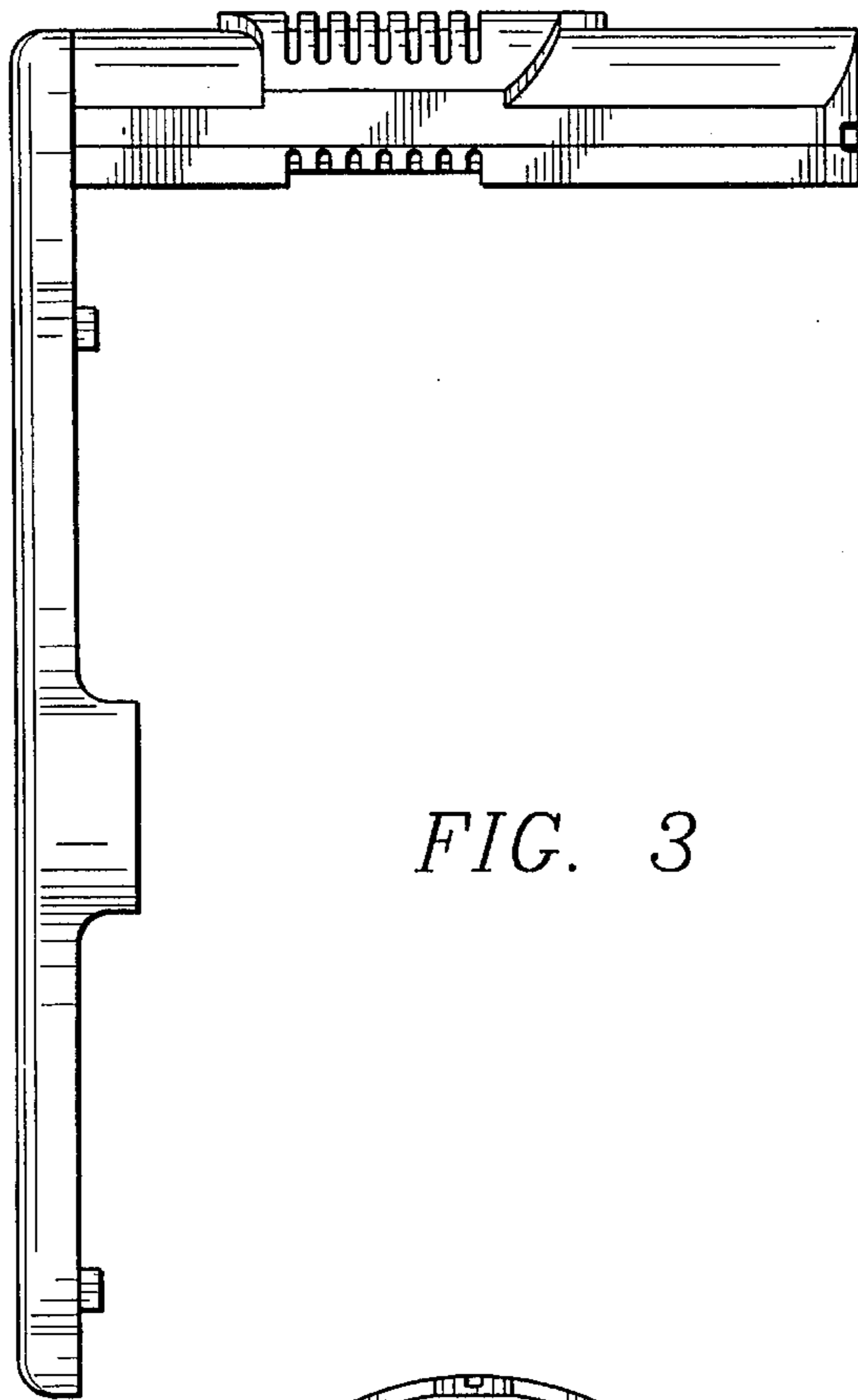


FIG. 3

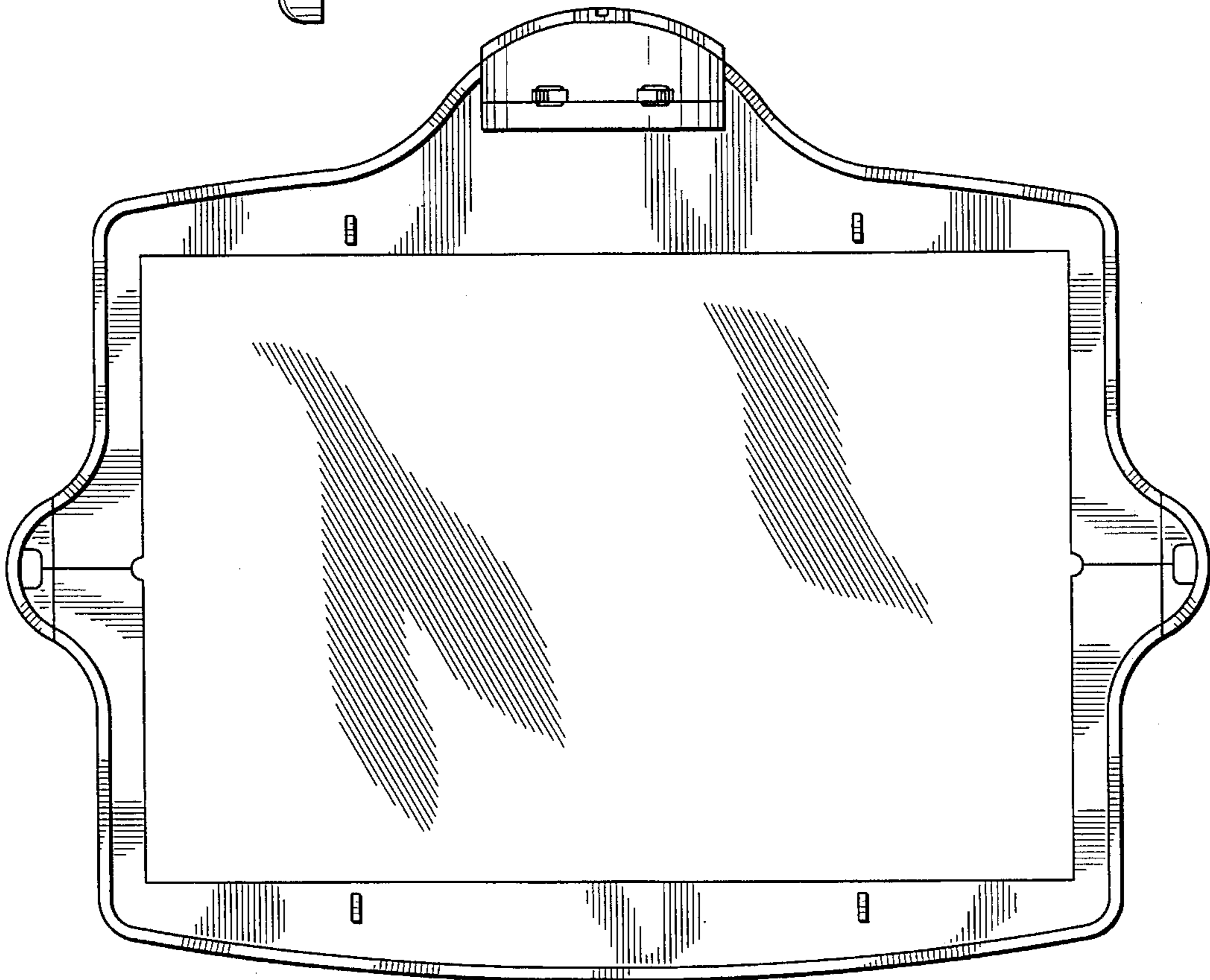


FIG. 4

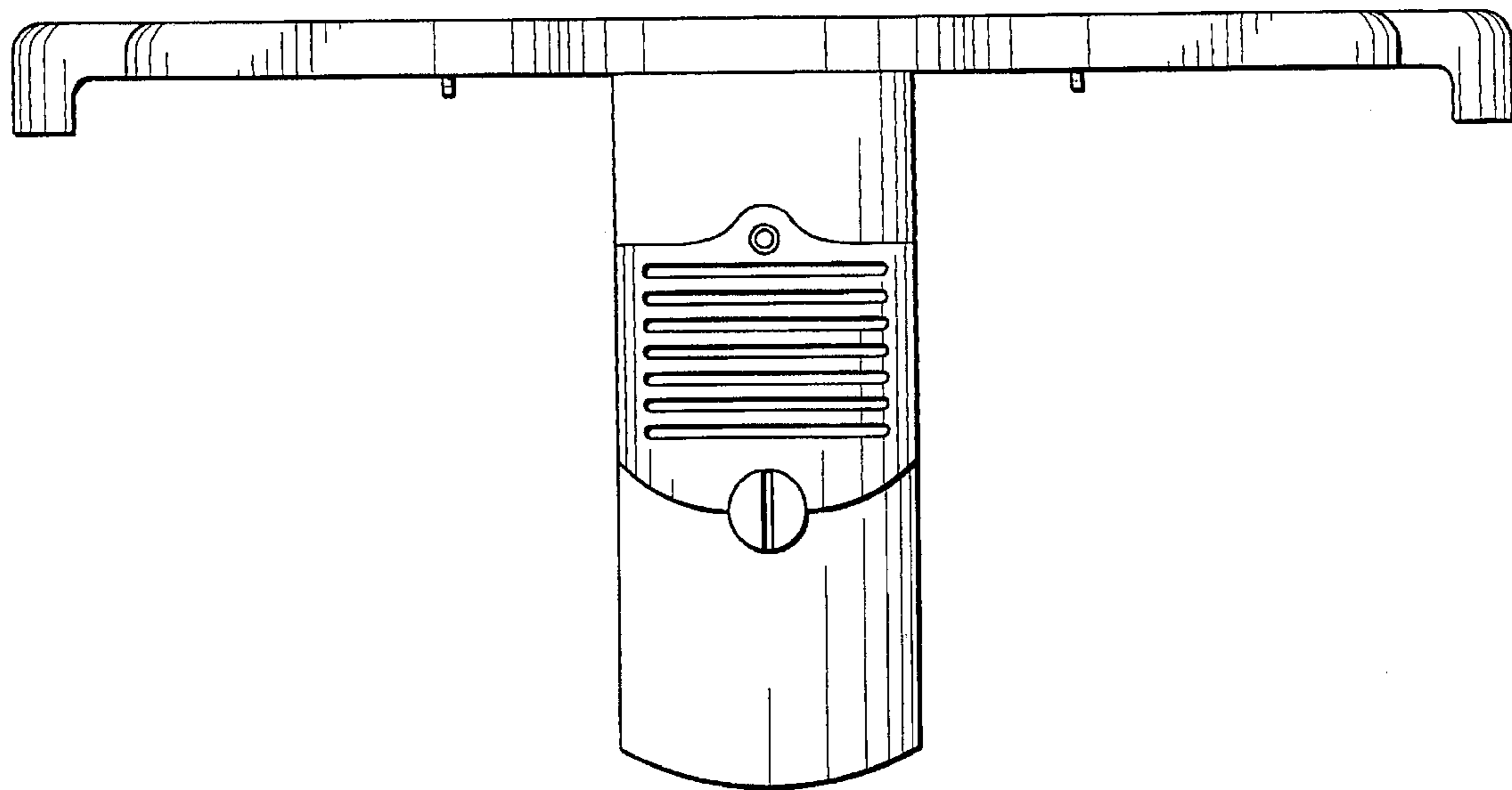


FIG. 5

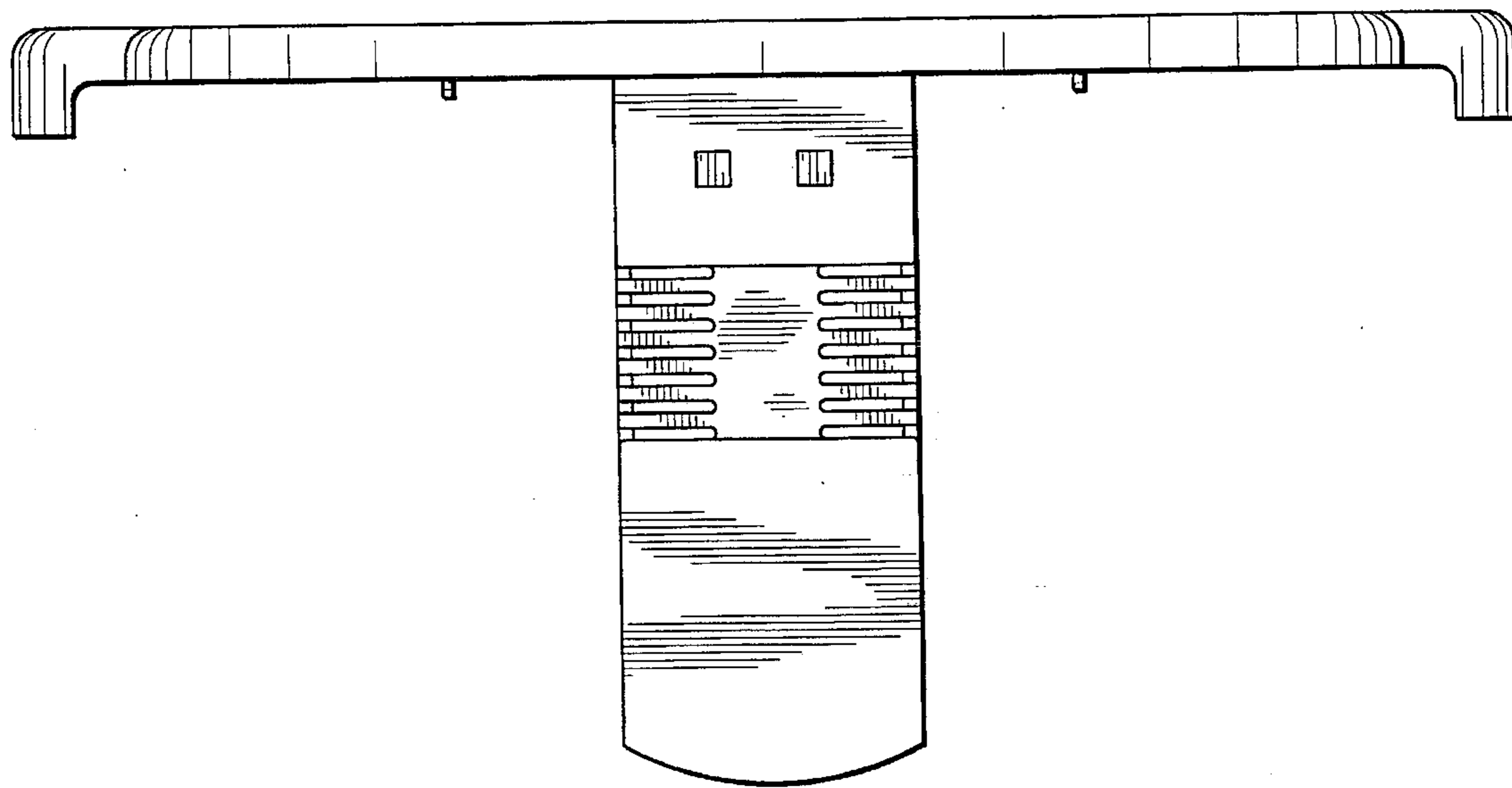


FIG. 6